

# & Tradition

Objects  
2026



Price list 2026 - Valid from February 4th  
Currency: USD



## Index

---

### Objects

---

**Collect | Cushion** SC28 SC48  
p. 5-6

---

**Collect | Throw** SC32 SC34 SC81  
p. 7-9  
SC33

---

**Collect | Plate** SC55  
p. 10


---

**Collect | Candleholder** SC57-  
p. 11 SC59

---

**Collect | Glass & Carafe** SC78 SC60 SC62  
p. 12 SC61 SC63

---

**Collect | Wine glass & Bowl** SC79 SC82  
p. 13 SC80 

---

**Collect | Tray** SC64-  
p. 14 SC65

---

**Collect | Hurricane** SC83  
p. 15

---

**Collect | Rug** SC84 SC85  
p. 16

---

**Momento Jug** JH38  
p. 17

---

**Momento Candleholder** JH39  
p. 18

---

**Momento Vase** JH40 JH41 JH47  
p. 19

---

**Momento Throw** JH46  
p. 20

---

**Capture** SC74 SC76 SC77  
p. 21

---

**The Moor** AP5 AP7 AP18 AP19 AP6 AP8  
p. 22-25

---

**Cruise** AP11 AP12 AP23  
p. 26

---

**Amore** SC49 SC50 SC56  
p. 27

---

**Sillon** SH4 SH5 SH7  
p. 28

---

## Index

---

---

<b>Votive</b>	AV20
p. 29	

---

## Index

---

### Product information

---

#### Spare Parts

p. 30

---

#### Maintenance and Care

p. 31

---

#### Packaging Information

p. 32-33

---

#### Sales procedures for dealers

p. 34-35

---

#### Information regarding lead times

Kindly note that lead times are stated excluding transport from the &Tradition warehouse.

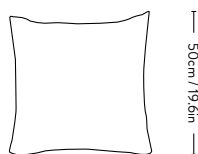
# Collect | Cushion <sup>SC28</sup> Space Copenhagen 2020



Product no.	Product	Size	Textile	Variant	Colli qty.	Lead time	Weight	PRICE EX. STATE TAX
133173A231	Collect   Cushion	50x50cm	Weave	Coco	1 pc	Stock item	1.24 kg	225
133173A230	Collect   Cushion	50x50cm	Weave	Almond	1 pc	Stock item	1.24 kg	225
135248A443	Collect   Cushion	50x50cm	Soft Boucle	Cloud	1 pc	Stock item	1.26 kg	205
135248A444	Collect   Cushion	50x50cm	Soft Boucle	Moss	1 pc	Stock item	1.26 kg	205

**Materials:**

Weave cover	72% Cotton, 28% Wool.
Soft Boucle cover	56% Acrylic, 37% Cotton, 7% Recycled Polyester
Inner sham	100% cotton
Filling	50% feather, 50% down.



50cm / 19.6in

SC28

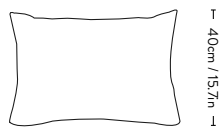
# Collect | Cushion <sup>SC48</sup> Space Copenhagen 2022



Product no.	Product	Size	Textile	Variant	Colli qty.	Lead time	Weight	PRICE EX. STATE TAX
133172A231	Collect   Cushion	40x60cm	Weave	Coco	1 pc	Stock item	2.00 kg	225
133172A230	Collect   Cushion	40x60cm	Weave	Almond	1 pc	Stock item	2.00 kg	225
135249A443	Collect   Cushion	40x60cm	Soft Boucle	Cloud	1 pc	Stock item	1.80 kg	205
135249A444	Collect   Cushion	40x60cm	Soft Boucle	Moss	1 pc	Stock item	1.80 kg	205

**Materials:**

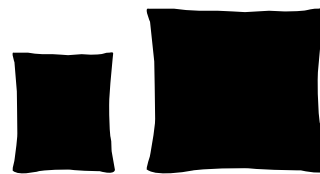
Weave cover	72% Cotton, 28% Wool.
Soft Boucle cover	56% Acrylic, 37% Cotton, 7% Recycled Polyester
Inner sham	100% cotton
Filling	50% feather, 50% down.



60cm / 23.6in

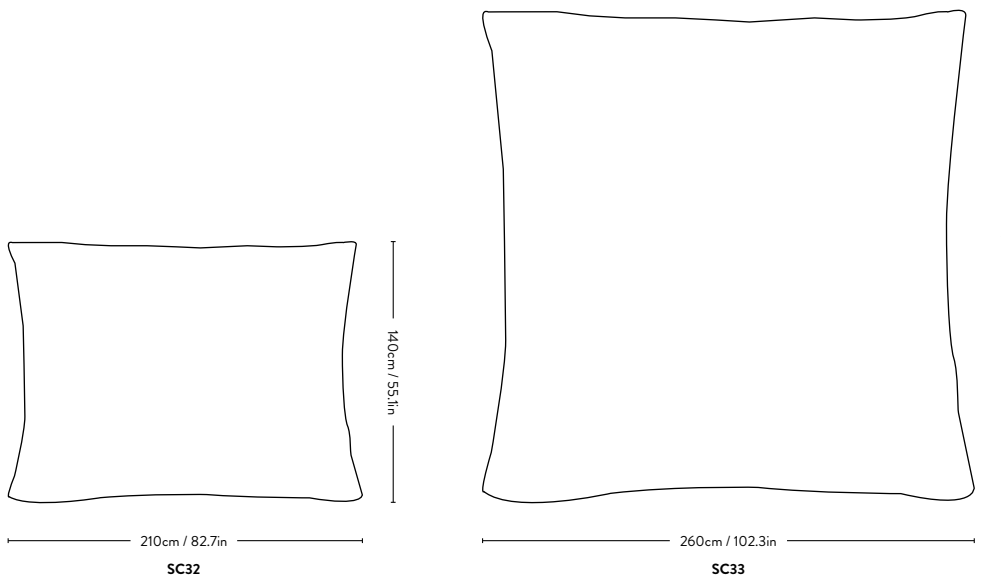
SC48

# Collect | Cotton Throw <sup>SC32 & SC33</sup> Space Copenhagen 2020

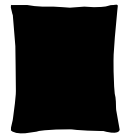


Product no.	Product	Product code	Variant	Colli qty.	Lead time	Weight	PRICE EX. STATE TAX
133183A112	Collect   Throw 140x210cm	SC32	Cloud & Milk	1 pc	Stock item	0.95 kg	180
133183A110	Collect   Throw 140x210cm	SC32	Cloud & Slate	1 pc	Stock item	0.95 kg	180
133184A112	Collect   Throw 260x260cm	SC33	Cloud & Milk	1 pc	Stock item	2.00 kg	340
133184A110	Collect   Throw 260x260cm	SC33	Cloud & Slate	1 pc	Stock item	2.00 kg	340

**Materials:** 100% Organic Cotton.

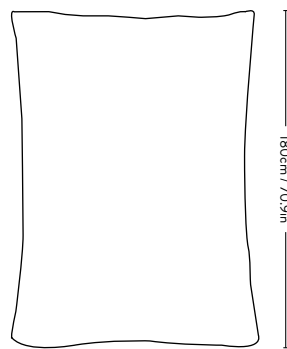


# Collect | Woolen Throw <sup>SC34</sup> Space Copenhagen 2020



Product no.	Product	Variant	Colli qty.	Lead time	Weight	PRICE EX. STATE TAX
133185A112	Collect   Woolen Throw 130x180cm	Cloud & Milk	1 pc	Stock item	0.68 kg	430

**Materials:** 100% extra fine Merino Wool.



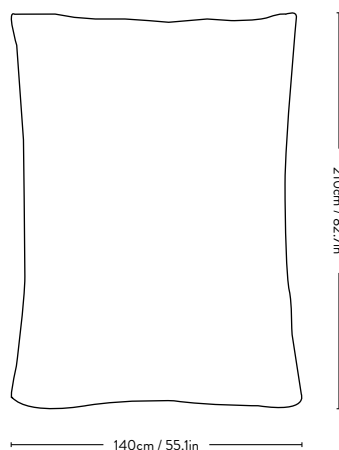
130cm / 51.2in  
SC34

# Collect | Throw <sup>SC81</sup> Space Copenhagen 2022



Product no.	Product	Variant	Colli qty.	Lead time	Weight	PRICE EX. STATE TAX
133186A096	Collect   Throw 140x210cm	Moss & Cloud	1 pc	Stock item	1.10 kg	340
133186A095	Collect   Throw 140x210cm	Sand & Cloud	1 pc	Stock item	1.10 kg	340

**Materials:** 60% Organic Cotton, 40% Linen



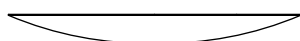
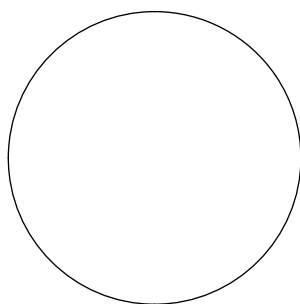
SC81

# Collect | Plate<sup>SC55</sup> Space Copenhagen 2020



Product no.	Product	Variant	Colli qty.	Lead time	Weight	PRICE EX. STATE TAX
133201A090	Collect   Plate Ø50cm	Beige Travertine	1 pc	Stock item	8.50 kg	790

**Materials:** Unfilled beige travertine.



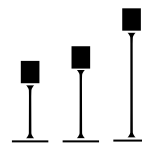
H: 5cm / 1.9in

Ø: 50cm / 19in

SC55

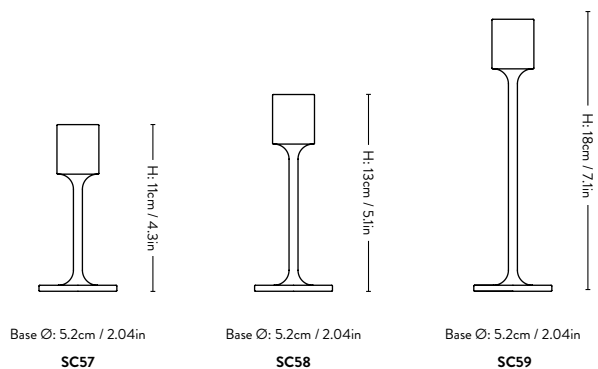
# Collect | Candleholder SC57-SC59

## Space Copenhagen 2021



Product no.	Product	Product code	Variant	Colli qty.	Lead time	Weight	PRICE EX. STATE TAX
133195A137	Collect   Candleholder H:11cm	SC57	Brushed Brass	4 pcs	Stock item	0.20 kg	70
133196A137	Collect   Candleholder H:13cm	SC58	Brushed Brass	4 pcs	Stock item	0.21 kg	80
133197A137	Collect   Candleholder H:18cm	SC59	Brushed Brass	4 pcs	Stock item	0.22 kg	90

**Materials:** Brushed Brass.



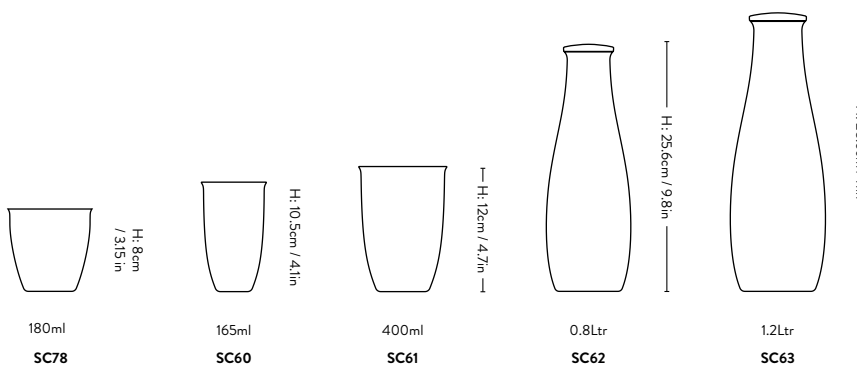
# Collect | Glass & Carafe SC60-SC63 & SC78

## Space Copenhagen 2021



Product no.	Product	Product code	Variant	Colli qty.	Lead time	Weight	PRICE EX. STATE TAX
133179A115	Collect   Glass 2 pcs H: 8cm	SC78	Clear	4 sets	Stock item	0.18 kg	55
133175A115	Collect   Glass 2 pcs H: 10.5cm	SC60	Clear	4 sets	Stock item	0.14 kg	55
133176A115	Collect   Glass 2 pcs H: 12cm	SC61	Clear	4 sets	Stock item	0.20 kg	65
133177A115	Collect   Carafe H: 25cm	SC62	Clear	2 pcs	Stock item	0.24 kg	80
133178A115	Collect   Carafe H: 28cm	SC63	Clear	2 pcs	Stock item	0.34 kg	90

Materials: Mouth blown glass.



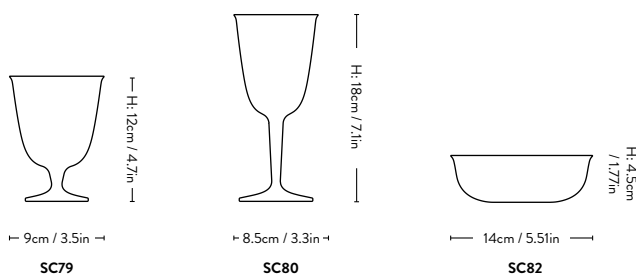
# Collect | Wine glass & Bowl SC79, SC80 & SC82

## Space Copenhagen 2022



Product no.	Product	Product code	Variant	Colli qty.	Lead time	Weight	PRICE EX. STATE TAX
133181A115	Collect   Wine glass 2 pcs H: 12cm	SC79	Clear	4 sets	Stock item	0.22 kg	90
133180A115	Collect   Wine glass 2 pcs H: 18cm	SC80	Clear	4 sets	Stock item	0.23 kg	100
133182A115	Collect   Bowl 1 pc H:4.5cm, Ø: 14cm	SC82	Clear	8 pcs	Stock item	0.20 kg	55

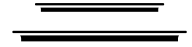
**Materials:** Mouth blown glass.



# Collect | Tray SC64 & SC65

## Space Copenhagen

### 2021

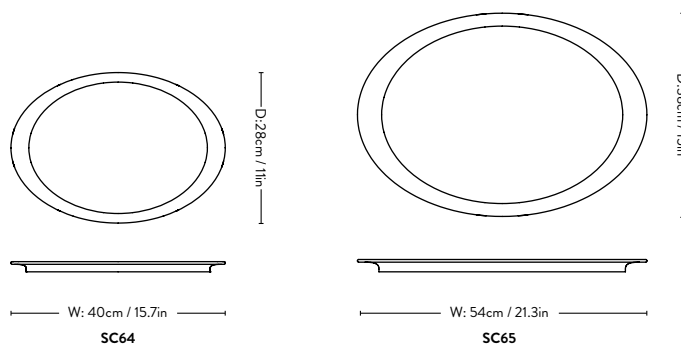


Product no.	Product	Product code	Variant	Colli qty.	Lead time	Weight	PRICE EX. STATE TAX
133202A250	Collect   Tray W: 40cm x D: 28cm x H:2cm	SC64	Oak	1 pc	Stock item	0.35 kg	180
133202A252	Collect   Tray W: 40cm x D: 28cm x H:2cm	SC64	Black Oak	1 pc	Stock item	0.35 kg	180
133203A250	Collect   Tray W: 54cm x D: 38cm x H: 2.3cm	SC65	Oak	1 pc	Stock item	0.67 kg	295
133203A252	Collect   Tray W: 54cm x D: 38cm x H: 2.3cm	SC65	Black Oak	1 pc	Stock item	0.67 kg	295

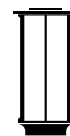


Made using FSC® certified wood, supporting responsible environmental, social and economical management of the world's forests. Visit [www.fsc.org](http://www.fsc.org)

**Materials:** Water Based Lacquered oak.



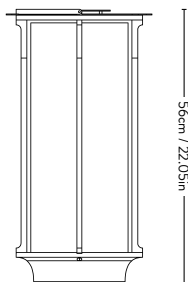
# Collect | Hurricane <sup>SC83</sup> Space Copenhagen 2023



Product no.	Product	Variant	Colli qty.	Lead time	Weight	PRICE EX. STATE TAX
133242A260	Collect Hurricane	Matt Black	1 pc	Stock item	7.62kg	675

**Material:** Die-cast aluminium, galvanized iron and borosilicate glass

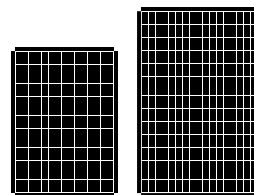
Spare parts available. Please refer to the 'Spare Parts' section.



W: 26cm / 10.24in  
D: 30cm / 11.81in

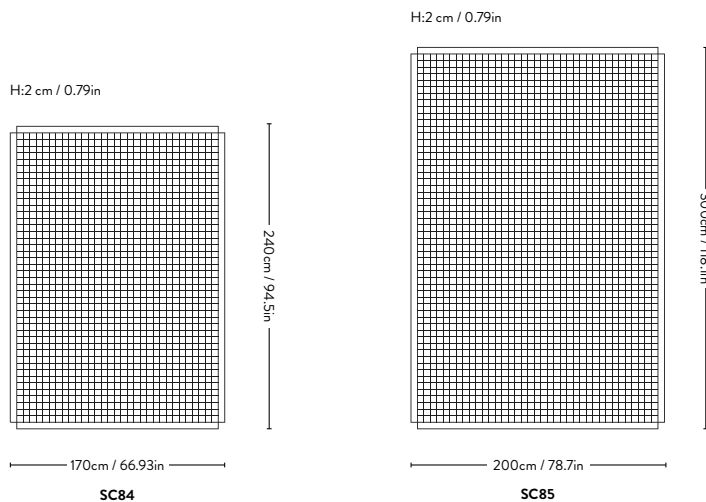
SC83

# Collect | Rug SC84 & SC85 Space Copenhagen 2023



Product no.	Variant	Size	Product code	Colli qty.	Lead time	Weight	PRICE EX. STATE TAX
133278A370	Stone	170x240cm	SC84	1 pc	Stock item	9.38 kg	1.350
133278A105	Milk	170x240cm	SC84	1 pc	Stock item	9.38 kg	1.350
133278A272	Camel	170x240cm	SC84	1 pc	Stock item	9.38 kg	1.350
133279A370	Stone	200x300cm	SC85	1 pc	Stock item	13.8 kg	2.025
133279A105	Milk	200x300cm	SC85	1 pc	Stock item	13.8 kg	2.025
133279A272	Camel	200x300cm	SC85	1 pc	Stock item	13.8 kg	2.025
135310	Rug underlay	160x230cm		1 pc	Stock item	2.20 kg	115
135311	Rug underlay	190x290cm		1 pc	Stock item	3.34 kg	135

**Materials:** Wool, Recycled Polyester

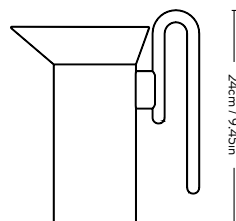


# Momento Jug <sup>JH38</sup> Jaime Hayon 2023



Product no.	Product	Variant	Colli qty.	Lead time	Weight	PRICE EX. STATE TAX
133241A301	Jug	Ivory	4 pcs	Stock item	0.24 kg	270
133241A167	Jug	Polished Steel	4 pcs	Stock item	0.24 kg	270
133241A551	Jug <span style="border: 1px solid black; padding: 2px;">NEW</span>	Pistachio	4 pcs	Stock item	0.24 kg	270

**Materials:** Stainless steel.



D: 21.5cm / 8.46in  
W: 11.6cm / 4.57in

JH38

# Momento Candleholder <sup>JH39</sup>

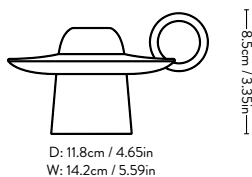
## Jaime Hayon

### 2023



Product no.	Product	Variant	Colli qty.	Lead time	Weight	PRICE EX. STATE TAX
133243A256	Candleholder	Azure	4 pcs	Stock item	0.24kg	115
133243A302	Candleholder	Ivory	4 pcs	Stock item	0.24kg	115
133243A355	Candleholder	Red-Brown	4 pcs	Stock item	0.24kg	115
133243A351	Candleholder	Poppy Red	4 pcs	Stock item	0.24kg	115

**Materials:** Ceramic



JH39

# Momento Vase JH40, JH41 & JH47

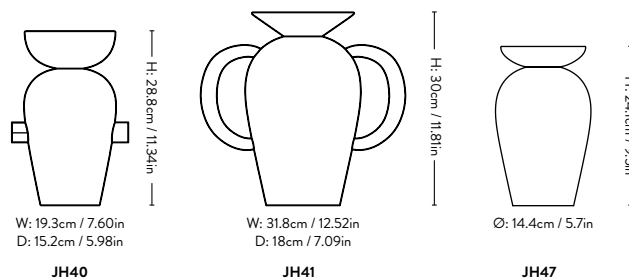
## Jaime Hayon

### 2023



Product no.	Product	Product code	Variant	Colli qty.	Lead time	Weight	PRICE EX. STATE TAX
133244A283	Vase	JH40	Cream	2 pcs	Stock item	1.00 kg	205
133245A289	Vase	JH41	Emerald	2 pcs	Stock item	1.20 kg	315
146461A355	Vase <b>NEW</b>	JH47	Red brown	2pc	Stock item	1.07 kg	160

Materials: Ceramic



# Momento Throw <sup>JH46</sup>

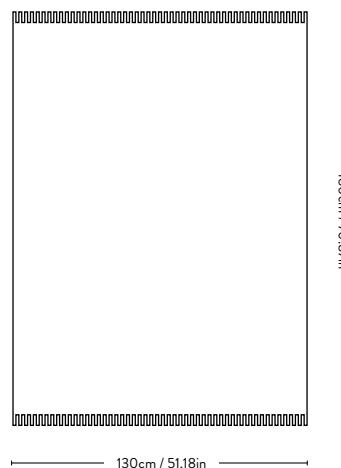
## Jaime Hayon

### 2024



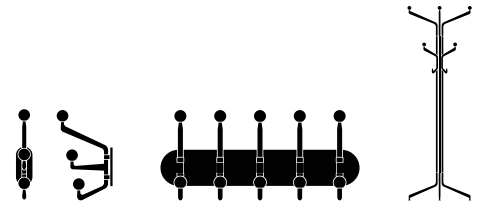
Product no.	Product	Variant	Colli qty.	Lead time	Weight	PRICE EX. STATE TAX
137829A495	Throw	Midnight Blue	1 pc	Stock item	0.95 kg	405
137829A496	Throw	Red Dawn	1 pc	Stock item	0.95 kg	405

Materials: 100% Organic cotton



JH46

# Capture<sup>SC74, SC76 & SC77</sup> Space Copenhagen 2022

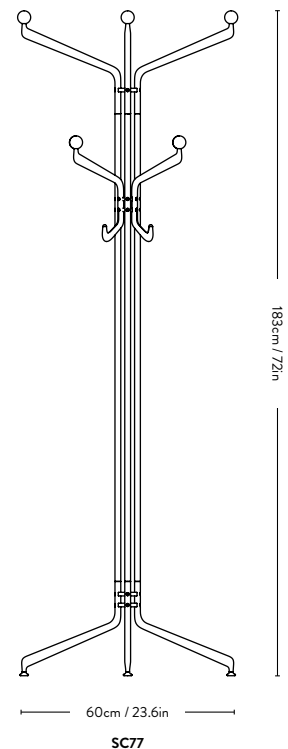
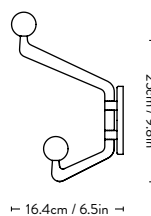
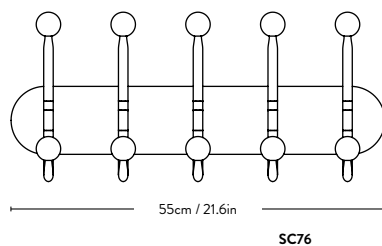
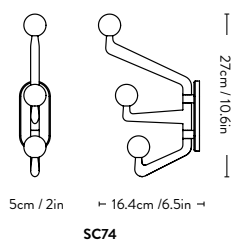


Product no.	Product	Product code	Variant	Colli qty.	Lead time	Weight	PRICE EX. STATE TAX
133217A040	Small Hook	SC74	Graphite / Colour knob	1 pc	Stock item	0.60 kg	180
133217A041	Small Hook	SC74	Graphite / Oak knob	1 pc	Stock item	0.60 kg	180
133219A040	Hanger	SC76	Graphite / Colour knob	1 pc	Stock item	2.00 kg	450
133219A041	Hanger	SC76	Graphite / Oak knob	1 pc	Stock item	2.00 kg	450
133220A040	Coat stand	SC77	Graphite / Colour knob	1 pc	Stock item	6.00 kg	1.125
133220A041	Coat stand	SC77	Graphite / Oak knob	1 pc	Stock item	6.00 kg	1.125



Graphite / Oak knob made using FSC® certified wood, supporting responsible environmental, social and economical management of the world's forests. Visit [www.fsc.org](http://www.fsc.org)

**Materials:** Powder coated aluminium and water based lacquered oak.

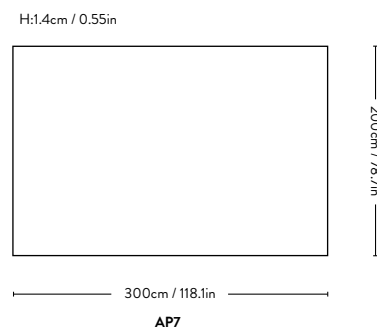
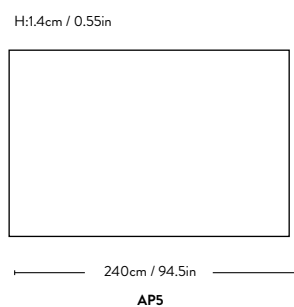


# The Moor <sup>AP5 & AP7</sup> All the Way to Paris 2016



Product no.	Variant	Size	Product code	Colli qty.	Lead time	Weight	PRICE EX. STATE TAX
133221A033	Red Heather	170x240cm	AP5	1 pc	Stock item	25.00 kg	2.015
133221A036	Golden Brown	170x240cm	AP5	1 pc	Stock item	25.00 kg	2.015
133221A039	Beige Dew	170x240cm	AP5	1 pc	Stock item	25.00 kg	2.015
133221A035	Green Pine	170x240cm	AP5	1 pc	Stock item	25.00 kg	2.015
133221A034	Grey Blue Thunder	170x240cm	AP5	1 pc	Stock item	25.00 kg	2.015
133223A033	Red Heather	200x300cm	AP7	1 pc	Stock item	30.00 kg	3.040
133223A036	Golden Brown	200x300cm	AP7	1 pc	Stock item	30.00 kg	3.040
133223A039	Beige Dew	200x300cm	AP7	1 pc	Stock item	30.00 kg	3.040
133223A035	Green Pine	200x300cm	AP7	1 pc	Stock item	30.00 kg	3.040
133223A034	Grey Blue Thunder	200x300cm	AP7	1 pc	Stock item	30.00 kg	3.040
135310	Rug underlay	160x230cm		1 pc	Stock item	2.20 kg	115
135311	Rug underlay	190x290cm		1 pc	Stock item	3.34 kg	135

**Material:** Handloom-woven from 85% New Zealand wool & 15% viscose.

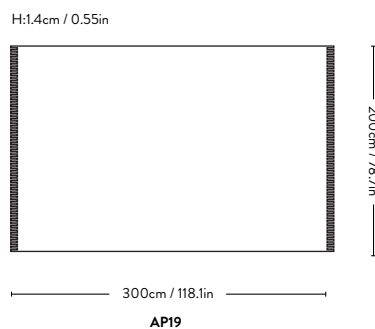
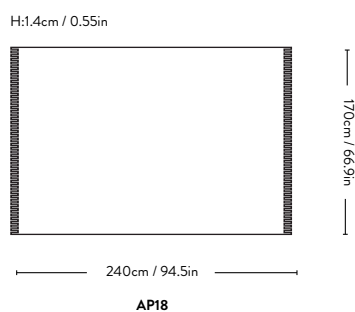


# The Moor <sup>AP18 & AP19</sup> All the Way to Paris 2024



Product no.	Variant	Size	Product code	Colli qty.	Lead time	Weight	PRICE EX. STATE TAX
137830A033	Red Heather	170x240cm	AP18	1 pc	Stock item	14.00 kg	2.015
137830A039	Beige Dew	170x240cm	AP18	1 pc	Stock item	14.00 kg	2.015
137830A036	Golden Brown	170x240cm	AP18	1 pc	Stock item	14.00 kg	2.015
137830A035	Green Pine	170x240cm	AP18	1 pc	Stock item	14.00 kg	2.015
137830A034	Grey Blue Thunder	170x240cm	AP18	1 pc	Stock item	14.00 kg	2.015
137831A033	Red Heather	200x300cm	AP19	1 pc	Stock item	21.00 kg	3.040
137831A039	Beige Dew	200x300cm	AP19	1 pc	Stock item	21.00 kg	3.040
137831A036	Golden Brown	200x300cm	AP19	1 pc <td Stock item	21.00 kg	3.040	
137831A035	Green Pine	200x300cm	AP19	1 pc	Stock item	21.00 kg	3.040
137831A034	Grey Blue Thunder	200x300cm	AP19	1 pc	Stock item	21.00 kg	3.040
135310	Rug underlay	160x230cm		1 pc	Stock item	2.20 kg	115
135311	Rug underlay	190x290cm		1 pc	Stock item	3.34 kg	135

**Material:** 85% New Zealand Wool, 15% Viscose & 100% Cotton fringe

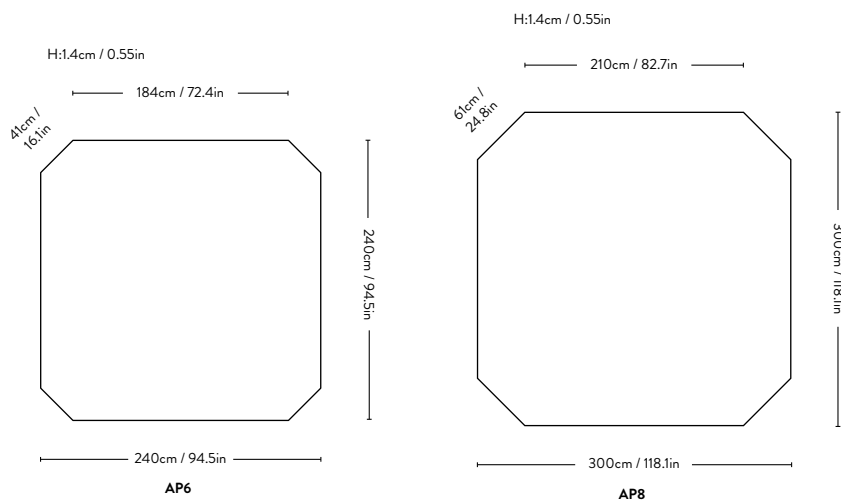


# The Moor <sup>AP6 & AP8</sup> All the Way to Paris 2016



Product no.	Variant	Size	Product code	Colli qty.	Lead time	Weight	PRICE EX. STATE TAX
133222A033	Red Heather	240x240cm	AP6	1 pc	Stock item	30.00 kg	2.590
133222A036	Golden Brown	240x240cm	AP6	1 pc	Stock item	30.00 kg	2.590
133222A039	Beige Dew	240x240cm	AP6	1 pc	Stock item	30.00 kg	2.590
133222A035	Green Pine	240x240cm	AP6	1 pc	Stock item	30.00 kg	2.590
133222A034	Grey Blue Thunder	240x240cm	AP6	1 pc	Stock item	30.00 kg	2.590
133224A033	Red Heather	300x300cm	AP8	1 pc	Stock item	35.00 kg	4.050
133224A036	Golden Brown	300x300cm	AP8	1 pc	Stock item	35.00 kg	4.050
133224A039	Beige Dew	300x300cm	AP8	1 pc	Stock item	35.00 kg	4.050
133224A035	Green Pine	300x300cm	AP8	1 pc	Stock item	35.00 kg	4.050
133224A034	Grey Blue Thunder	300x300cm	AP8	1 pc	Stock item	35.00 kg	4.050
135310	Rug underlay	160x230cm		1 pc	Stock item	2.20 kg	115
135311	Rug underlay	190x290cm		1 pc	Stock item	3.34 kg	135

**Material:** Handloom-woven from 85% New Zealand wool & 15% viscose.



# The Moor custom made version

## All the Way to Paris

### 2016

Product	Product code	Colli qty.	Lead time	PRICE EX. STATE TAX
CUS Square	Square	1 pc	22-24 weeks	<b>844</b>

Material: Handloom-woven from 85% New Zealand wool & 15% viscose.

Minimum width: 1.4 meters  
Maximum width: 3 meters

Minimum length: 2 meters  
Maximum length: 10 meters

Minimum size 3 m<sup>2</sup>  
Maximum size 30 m<sup>2</sup>

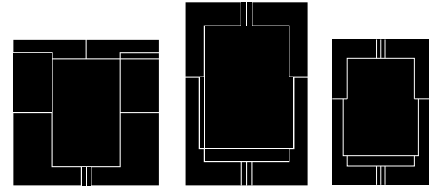
Minimum 20 m<sup>2</sup> is required to order non-standard colors

Please note a size and weight tolerance of +/- 3%

\*The price is per square meter.

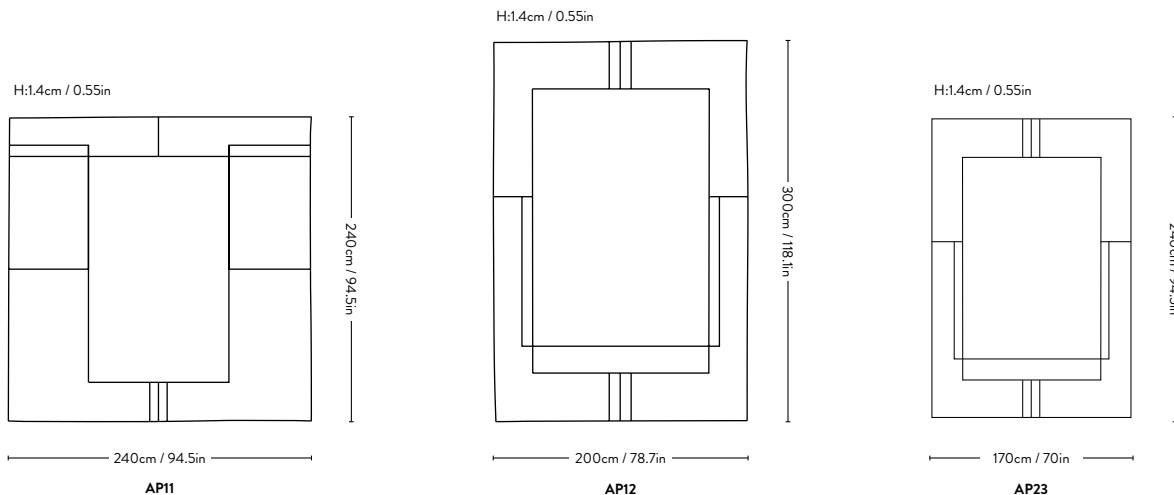
# Cruise AP11, AP12 & AP23

## All the Way to Paris 2022



Product no.	Variant	Size	Product code	Colli qty.	Lead time	Weight	PRICE EX. STATE TAX
133225A032	Bombay Golden Brown	240x240cm	AP11	1 pc	Stock item	23.10 kg	3.040
133225A031	Aden Desert Beige	240x240cm	AP11	1 pc	Stock item	23.10 kg	3.040
133225A521	Colombo Grey Blue	240x240cm	AP11	1 pc	Stock item	23.10 kg	3.040
133226A032	Bombay Golden Brown	200x300cm	AP12	1 pc	Stock item	23.40 kg	3.490
133226A031	Aden Desert Beige	200x300cm	AP12	1 pc	Stock item	23.40 kg	3.490
133226A521	Colombo Grey Blue	200x300cm	AP12	1 pc	Stock item	23.40 kg	3.490
139751A031	Aden Desert Beige	240x170 cm	AP23	1 pc	Stock item	17.00 kg	2.365
139751A032	Bombay Golden Brown	240x170 cm	AP23	1 pc	Stock item	17.00 kg	2.365
139751A521	Colombo Grey Blue	240x170 cm	AP23	1 pc	Stock item	17.00 kg	2.365
135310	Rug underlay	160x230cm		1 pc	Stock item	2.20 kg	115
135311	Rug underlay	190x290cm		1 pc	Stock item	3.34 kg	135

**Materials:** New Zealand Wool 77%, Viscose 13%, Bamboo Silk 10%

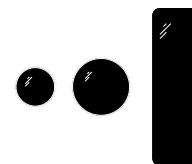




# Sillon SH4, SH5 & SH7

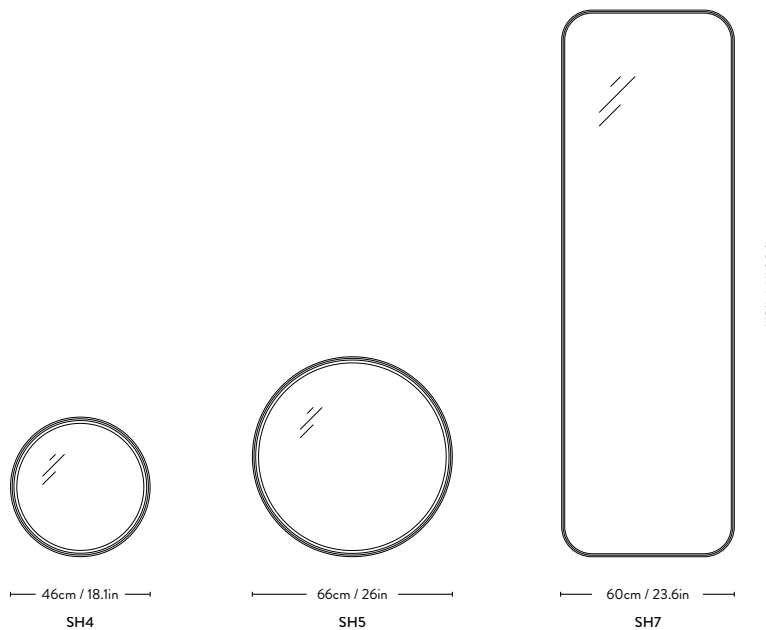
## Sebastian Herkner

### 2019

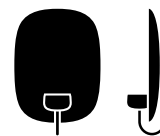


Product no.	Variant	Size	Product code	Colli qty.	Lead time	Weight	PRICE EX. STATE TAX
133234A140	Brass	Ø46cm	SH4	1 pc	Stock item	4.50 kg	565
133234A167	Stainless Steel	Ø46cm	SH4	1 pc	Stock item	4.50 kg	495
133235A140	Brass	Ø66cm	SH5	1 pc	Stock item	8.00 kg	945
133235A167	Stainless Steel	Ø66cm	SH5	1 pc	Stock item	8.00 kg	855
133237A140	Brass	190x60cm	SH7	1 pc	Stock item	28.50 kg	2.700
133237A167	Stainless Steel	190x60cm	SH7	1 pc	Stock item	28.50 kg	2.520

**Material:** Plated steel & silver coloured mirror

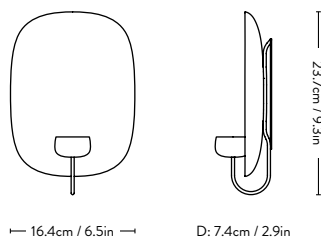


# Votive <sup>AV20</sup> Anderssen & Voll 2022



Product no.	Product	Variant	Colli qty.	Lead time	Weight	PRICE EX. STATE TAX
133240A021	Votive	Brushed Brass	1 pc	Stock item	0.63 kg	270

Materials: Brass



AV20

NEW

# Colette <sup>ATD6</sup> &Tradition 2022



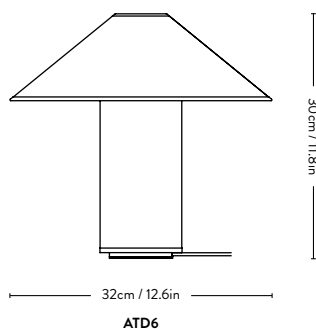
Product no.	Product	Variant	Cord	Colli qty.	Lead time	Weight	PRICE EX. STATE TAX
154799A157	Table lamp	White & Black	2.5m Black textile w. dimmer	1 pc	Stock item	1.60 kg	565
154799A156	Table lamp	White & Merlot	2.5m Black textile w. dimmer	1 pc	Stock item	1.60 kg	565

**Technical Specification**

E12 Max 40 Watt

**Material:** Plastic-lined polyester, aluminium, steel

Bulb is not included.



# Flowerpot<sup>VP10</sup> Verner Panton 1968



Product no.	Product	Variant	Cord	Colli qty.	Lead time	Weight	PRICE EX. STATE TAX
146378A221	Pendant	Matt White	3m White textile	2 pcs	Stock item	0.60 kg	340
146378A219	Pendant	Matt Light Grey	3m Grey textile	2 pcs	Stock item	0.60 kg	340
146378A218	Pendant	Matt Black	3m Black textile	2 pcs	Stock item	0.60 kg	340
146378A215	Pendant	Mustard	3m Mustard textile	2 pcs	Stock item	0.60 kg	340
146378A208	Pendant	Stone Blue	3m Stone Blue textile	2 pcs	Stock item	0.60 kg	340
146378A209	Pendant	Grey Beige	3m Grey Beige textile	2 pcs	Stock item	0.60 kg	340
146378A205	Pendant	Signal Green	3m Signal Green textile	2 pcs	Stock item	0.60 kg	340
146378A178	Pendant	Cobalt Blue	3m Cobalt Blue textile	2 pcs	Stock item	0.60 kg	340
146378A182	Pendant	Vermilion Red	3m Vermilion Red textile	2 pcs	Stock item	0.60 kg	340
146378A181	Pendant	Tangy Pink	3m Tangy Pink textile	2 pcs	Stock item	0.60 kg	340
146378A180	Pendant	Dark Plum	3m Dark Plum textile	2 pcs	Stock item	0.60 kg	340
146378A179	Pendant	Swim Blue	3m Swim Blue textile	2 pcs	Stock item	0.60 kg	340
146378A568	Pendant	Steel Blue <b>NEW</b>	3m Steel Blue textile	2 pcs	Stock item	0.60 kg	340
146378A569	Pendant	Ivory <b>NEW</b>	3m Ivory textile	2 pcs	Stock item	0.60 kg	340
146378A570	Pendant	Zesty Orange <b>NEW</b>	3m Zesty Orange textile	2 pcs	Stock item	0.60 kg	340
146378A274	Pendant	Chrome-plated	3m Black textile	2 pcs	Stock item	0.60 kg	475
146378A268	Pendant	Brass-plated	3m Black textile	2 pcs	Stock item	0.60 kg	475
146378A171	Pendant	Cobalt Blue & Twilight Blue Pattern	3m Cobalt Blue textile	2 pcs	Stock item	0.60 kg	475
146378A170	Pendant	Black & White Pattern	3m Black textile	2 pcs	Stock item	0.60 kg	475

### Technical Specification

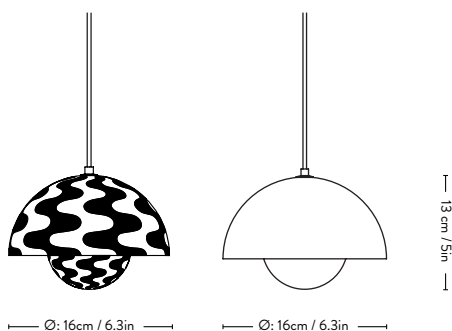
G9 Max 5 Watt LED

**Material:** Painted or plated steel.

Black textile cord: Black canopy  
White and other colored textile cords: White canopy

Bulb is not included.  
Canopy included.

Spare parts available. Please refer to the 'Spare Parts' section.



VP10

# Flowerpot<sup>VP1</sup> Verner Panton 1968



Product no.	Product	Variant	Cord	Colli qty.	Lead time	Weight	PRICE EX. STATE TAX
146371A221	Pendant	Matt White	3m White textile	2 pcs	Stock item	1.00 kg	405
146371A219	Pendant	Matt Light Grey	3m Grey textile	2 pcs	Stock item	1.00 kg	405
146371A218	Pendant	Matt Black	3m Black textile	2 pcs	Stock item	1.00 kg	405
146371A215	Pendant	Mustard	3m Mustard textile	2 pcs	Stock item	1.00 kg	405
146371A208	Pendant	Stone Blue	3m Stone Blue textile	2 pcs	Stock item	1.00 kg	405
146371A209	Pendant	Grey Beige	3m Grey Beige textile	2 pcs	Stock item	1.00 kg	405
146371A205	Pendant	Signal Green	3m Signal Green textile	2 pcs	Stock item	1.00 kg	405
146371A178	Pendant	Cobalt Blue	3m Cobalt Blue textile	2 pcs	Stock item	1.00 kg	405
146371A182	Pendant	Vermilion Red	3m Vermilion Red textile	2 pcs	Stock item	1.00 kg	405
146371A181	Pendant	Tangy Pink	3m Tangy Pink textile	2 pcs	Stock item	1.00 kg	405
146371A180	Pendant	Dark Plum	3m Dark Plum textile	2 pcs	Stock item	1.00 kg	405
146371A179	Pendant	Swim Blue	3m Swim Blue textile	2 pcs	Stock item	1.00 kg	405
146371A568	Pendant	Steel Blue <b>NEW</b>	3m Steel Blue textile	2 pcs	Stock item	1.00 kg	405
146371A569	Pendant	Ivory <b>NEW</b>	3m Ivory textile	2 pcs	Stock item	1.00 kg	405
146371A570	Pendant	Zesty Orange <b>NEW</b>	3m Zesty Orange textile	2 pcs	Stock item	1.00 kg	405
146371A274	Pendant	Chrome-plated	3m Black textile	2 pcs	Stock item	1.00 kg	565
146371A268	Pendant	Brass-plated	3m Black textile	2 pcs	Stock item	1.00 kg	565
146371A171	Pendant	Cobalt Blue & Twilight Blue Pattern	3m Cobalt Blue textile	2 pcs	Stock item	1.00 kg	565
146371A170	Pendant	Black & White Pattern	3m Black textile	2 pcs	Stock item	1.00 kg	565

### Technical Specification

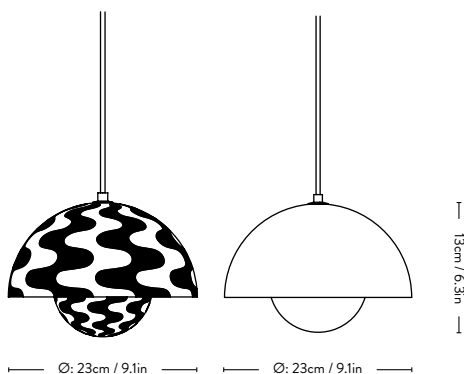
E26 Max 40 Watt

**Material:** Painted or plated steel.

Black textile cord: Black canopy  
White and other colored textile cords: White canopy

Bulb is not included.  
Canopy included.

Spare parts available. Please refer to the 'Spare Parts' section.



# Flowerpot<sup>VP7</sup> Verner Panton 1968



Product no.	Product	Variant	Cord	Colli qty.	Lead time	Weight	PRICE EX. STATE TAX
146376A221	Pendant	Matt White	3m White textile	1 pc	Stock item	2.40 kg	655
146376A219	Pendant	Matt Light Grey	3m Grey textile	1 pc	Stock item	2.40 kg	655
146376A218	Pendant	Matt Black	3m Black textile	1 pc	Stock item	2.40 kg	655
146376A215	Pendant	Mustard	3m Mustard textile	1 pc	Stock item	2.40 kg	655
146376A208	Pendant	Stone Blue	3m Stone Blue textile	1 pc	Stock item	2.40 kg	655
146376A209	Pendant	Grey Beige	3m Grey Beige textile	1 pc	Stock item	2.40 kg	655
146376A205	Pendant	Signal Green	3m Signal Green textile	1 pc	Stock item	2.40 kg	655
146376A178	Pendant	Cobalt Blue	3m Cobalt Blue textile	1 pc	Stock item	2.40 kg	655
146376A182	Pendant	Vermilion Red	3m Vermilion Red textile	1 pc	Stock item	2.40 kg	655
146376A181	Pendant	Tangy Pink	3m Tangy Pink textile	1 pc	Stock item	2.40 kg	655
146376A180	Pendant	Dark Plum	3m Dark Plum textile	1 pc	Stock item	2.40 kg	655
146376A179	Pendant	Swim Blue	3m Swim Blue textile	1 pc	Stock item	2.40 kg	655
146376A568	Pendant	Steel Blue <b>NEW</b>	3m Steel Blue textile	1 pc	Stock item	2.40 kg	655
146376A569	Pendant	Ivory <b>NEW</b>	3m Ivory textile	1 pc	Stock item	2.40 kg	655
146376A570	Pendant	Zesty Orange <b>NEW</b>	3m Zesty Orange textile	1 pc	Stock item	2.40 kg	655
146376A171	Pendant	Cobalt Blue & Twilight Blue Pattern	3m Cobalt Blue textile	1 pc	Stock item	2.40 kg	1.015
146376A170	Pendant	Black & White Pattern	3m Black textile	1 pc	Stock item	2.40 kg	1.015

### Technical Specification

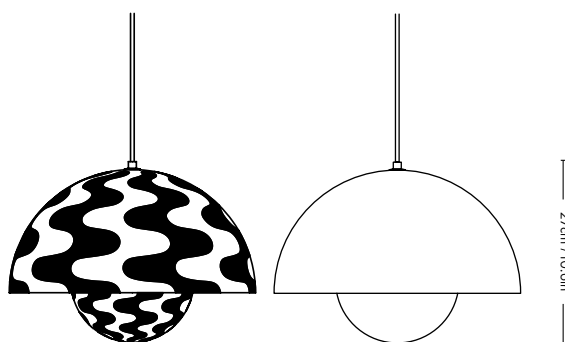
E26 Max 40 Watt

**Material:** Painted or plated steel.

Black textile cord: Black canopy  
White and other colored textile cords: White canopy

Bulb is not included.  
Canopy included.

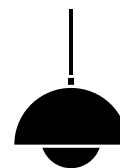
Spare parts available. Please refer to the 'Spare Parts' section.



Ø: 37cm / 14.6in      Ø: 37cm / 14.6in

VP7

# Flowerpot<sup>VP2</sup> Verner Panton 1968



Product no.	Product	Variant	Cord	Colli qty.	Lead time	Weight	PRICE EX. STATE TAX
146372A221	Pendant	Matt White	3m White textile	1 pc	Stock item	3.40 kg	945
146372A218	Pendant	Matt Black	3m Black textile	1 pc	Stock item	3.40 kg	945
146372A209	Pendant	Grey Beige	3m Grey Beige textile	1 pc	Stock item	3.40 kg	945
146372A208	Pendant	Stone Blue	3m Stone Blue textile	1 pc	Stock item	3.40 kg	945
146372A182	Pendant	Vermilion Red	3m Vermilion Red textile	1 pc	Stock item	3.40 kg	945
146372A568	Pendant	Steel Blue <span style="border: 1px solid black; padding: 2px;">NEW</span>	3m Steel Blue textile	1 pc	Stock item	3.40 kg	945
146372A569	Pendant	Ivory <span style="border: 1px solid black; padding: 2px;">NEW</span>	3m Ivory textile	1 pc	Stock item	3.40 kg	945
146372A570	Pendant	Zesty Orange <span style="border: 1px solid black; padding: 2px;">NEW</span>	3m Zesty Orange textile	1 pc	Stock item	3.40 kg	945
146372A171	Pendant	Cobalt Blue & Twilight Blue Pattern	3m Cobalt Blue textile	1 pc	Stock item	3.40 kg	1.260
146372A170	Pendant	Black & White Pattern	3m Black textile	1 pc	Stock item	3.40 kg	1.260

#### Technical Specification

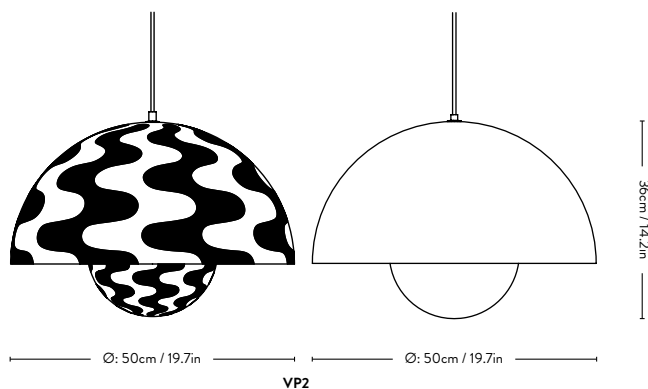
E26 Max 40 Watt

**Material:** Painted aluminium.

Black textile cord: Black canopy  
White and other colored textile cords: White canopy

Bulb is not included.  
Canopy included.

Spare parts available. Please refer to the 'Spare Parts' section.



# Flowerpot <sup>VP3</sup> Verner Panton 1968



Product no.	Product	Variant	Cord	Colli qty.	Lead time	Weight	PRICE EX. STATE TAX
146373A221	Table lamp	Matt White	2m Clear PVC w. switch	1 pc	Stock item	3.50 kg	520
146373A219	Table lamp	Matt Light Grey	2m Clear PVC w. switch	1 pc	Stock item	3.50 kg	520
146373A218	Table lamp	Matt Black	2m Clear PVC w. switch	1 pc	Stock item	3.50 kg	520
146373A215	Table lamp	Mustard	2m Clear PVC w. switch	1 pc	Stock item	3.50 kg	520
146373A208	Table lamp	Stone Blue	2m Clear PVC w. switch	1 pc	Stock item	3.50 kg	520
146373A209	Table lamp	Grey Beige	2m Clear PVC w. switch	1 pc	Stock item	3.50 kg	520
146373A205	Table lamp	Signal Green	2m Clear PVC w. switch	1 pc	Stock item	3.50 kg	520
146373A178	Table lamp	Cobalt Blue	2m Clear PVC w. switch	1 pc	Stock item	3.50 kg	520
146373A182	Table lamp	Vermilion Red	2m Clear PVC w. switch	1 pc	Stock item	3.50 kg	520
146373A181	Table lamp	Tangy Pink	2m Clear PVC w. switch	1 pc	Stock item	3.50 kg	520
146373A180	Table lamp	Dark Plum	2m Clear PVC w. switch	1 pc	Stock item	3.50 kg	520
146373A179	Table lamp	Swim Blue	2m Clear PVC w. switch	1 pc	Stock item	3.50 kg	520
146373A568	Table lamp	Steel Blue <span style="border: 1px solid black; padding: 0 2px;">NEW</span>	2m Clear PVC w. switch	1 pc	Stock item	3.50 kg	520
146373A569	Table lamp	Ivory <span style="border: 1px solid black; padding: 0 2px;">NEW</span>	2m Clear PVC w. switch	1 pc	Stock item	3.50 kg	520
146373A570	Table lamp	Zesty Orange <span style="border: 1px solid black; padding: 0 2px;">NEW</span>	2m Clear PVC w. switch	1 pc	Stock item	3.50 kg	520
146373A274	Table lamp	Chrome-plated	2m Clear PVC w. switch	1 pc	Stock item	3.50 kg	790
146373A268	Table lamp	Brass-plated	2m Clear PVC w. switch	1 pc	Stock item	3.50 kg	790

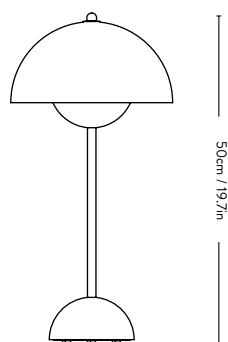
### Technical Specification

E26 Max 40 Watt

**Material:** Painted or plated steel.

Bulb is not included.

Spare parts available. Please refer to the 'Spare Parts' section.



23cm / 9.1in  
VP3

# Flowerpot<sup>VP4</sup> Verner Panton 1968



Product no.	Product	Variant	Cord	Colli qty.	Lead time	Weight	PRICE EX. STATE TAX
146374A221	Table lamp	Matt White	2m White textile w. switch	1 pc	Stock item	1.30 kg	520
146374A218	Table lamp	Matt Black	2m Black textile w. switch	1 pc	Stock item	1.30 kg	520
146374A568	Table lamp	Steel Blue <b>NEW</b>	2m Black textile w. switch	1 pc	Stock item	1.30 kg	520
146374A203	Table lamp	Chrome-plated	2m Black textile w. switch	1 pc	Stock item	1.30 kg	790

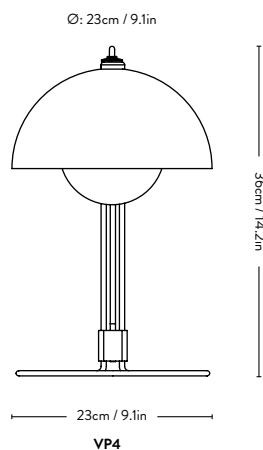
### Technical Specification

E26 Max 40 Watt

**Material:** Painted or plated steel.

Bulb is not included.

Spare parts available. Please refer to the 'Spare Parts' section.



# Flowerpot<sup>VP8</sup> Verner Panton 1968



Product no.	Product	Variant	Cord	Colli qty.	Lead time	Weight	PRICE EX. STATE TAX
146377A221	Wall lamp	Matt White	2m White textile	1 pc	Stock item	1.30 kg	565
146377A218	Wall lamp	Matt Black	2m Black textile	1 pc	Stock item	1.30 kg	565
146377A219	Wall lamp	Matt Light Grey	2m Grey textile	1 pc	Stock item	1.30 kg	565
146377A215	Wall lamp	Mustard	2m Mustard textile	1 pc	Stock item	1.30 kg	565
146377A209	Wall lamp	Grey Beige	2m Grey Beige textile	1 pc	Stock item	1.30 kg	565
146377A182	Wall lamp	Vermilion Red	2m Vermilion Red textile	1 pc	Stock item	1.30 kg	565
146377A205	Wall lamp	Signal Green	2m Signal Green textile	1 pc	Stock item	1.30 kg	565
146377A568	Wall lamp	Steel Blue <b>NEW</b>	2m Steel Blue textile	1 pc	Stock item	1.30 kg	565
146377A203	Wall lamp	Chrome-plated	2m Black Textile	1 pc	Stock item	1.30 kg	835

#### Technical Specification

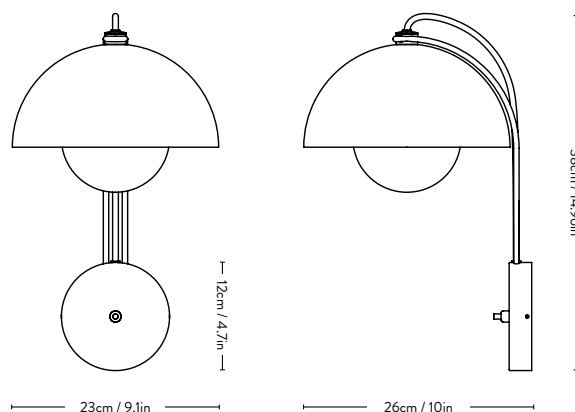
E26 Max 40 Watt

**Material:** Painted or plated steel

Flowerpot VP8 is available as a plug-in (using the existing power cord) or hardwired (installed directly to the power outlet).

Bulb is not included.

Spare parts available. Please refer to the 'Spare Parts' section.



VP8

# Flowerpot <sup>VP9</sup> Verner Panton 1968



Product no.	Product	Variant	Colli qty.	Lead time	Weight	PRICE EX. STATE TAX
133093A221	Portable lamp	Matt White	2 pcs	Stock item	0.83 kg	315
133093A219	Portable lamp	Matt Light Grey	2 pcs	Stock item	0.83 kg	315
133093A218	Portable lamp	Matt Black	2 pcs	Stock item	0.83 kg	315
133093A215	Portable lamp	Mustard	2 pcs	Stock item	0.83 kg	315
133093A209	Portable lamp	Grey Beige	2 pcs	Stock item	0.83 kg	315
133093A208	Portable lamp	Stone Blue	2 pcs	Stock item	0.83 kg	315
133093A205	Portable lamp	Signal Green	2 pcs	Stock item	0.83 kg	315
133093A178	Portable lamp	Cobalt Blue	2 pcs	Stock item	0.83 kg	315
133093A182	Portable lamp	Vermilion Red	2 pcs	Stock item	0.83 kg	315
133093A181	Portable lamp	Tangy Pink	2 pcs	Stock item	0.83 kg	315
133093A180	Portable lamp	Dark Plum	2 pcs	Stock item	0.83 kg	315
133093A179	Portable lamp	Swim Blue	2 pcs	Stock item	0.83 kg	315
133093A568	Portable lamp	Steel Blue <b>NEW</b>	2 pcs	Stock item	0.83 kg	315
133093A569	Portable lamp	Ivory <b>NEW</b>	2 pcs	Stock item	0.83 kg	315
133093A570	Portable lamp	Zesty Orange <b>NEW</b>	2 pcs	Stock item	0.83 kg	315
133093A268	Portable lamp	Brass-Plated	2 pcs	Stock item	0.83 kg	450
133093A203	Portable lamp	Chrome-Plated	2 pcs	Stock item	0.83 kg	450

**Material:** Lacquered polycarbonate (PC) and steel

LED board included - replaceable (spare part).

Magnetic USB A 200 cm / 79 inch charging cable included.

Spare parts available. Please refer to the 'Spare Parts' section.

#### Technical Specification

3 Watt LED board

CRI: >80

Colour temperature (Kelvin): 2700K

Charging time: 8 hours

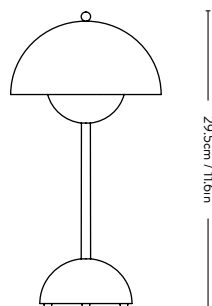
Operating time in highest light setting: 10 hours

Dimmability: 3 level touch dimmer 100% - 50% - 20%

Battery: Replaceable (spare part)

IP class: IP44

(This lamp is for indoors use only. It can be taken outdoors, but must be kept and stored indoors.)



Ø:9.6cm / 3.8in  
VP9

# Flowerpot<sup>VP12</sup> Verner Panton 1969



Product no.	Product	Variant	Cord	Colli qty.	Lead time	Weight	PRICE EX. STATE TAX
146379A178	Floor lamp	Cobalt Blue	2m Black textile cord w. switch	1 pc	Stock item	5.50 kg	1.080
146379A209	Floor lamp	Grey Beige	2m Black textile cord w. switch	1 pc	Stock item	5.50 kg	1.080
146379A568	Floor lamp	Steel Blue <span style="border: 1px solid black; padding: 2px;">NEW</span>	2m Black textile cord w. switch	1 pc	Stock item	5.50 kg	1.080
146379A218	Floor lamp	Matt Black	2m Black textile cord w. switch	1 pc	Stock item	5.50 kg	1.080
146379A274	Floor lamp	Chrome-plated	2m Black textile cord w. switch	1 pc	Stock item	5.50 kg	1.350

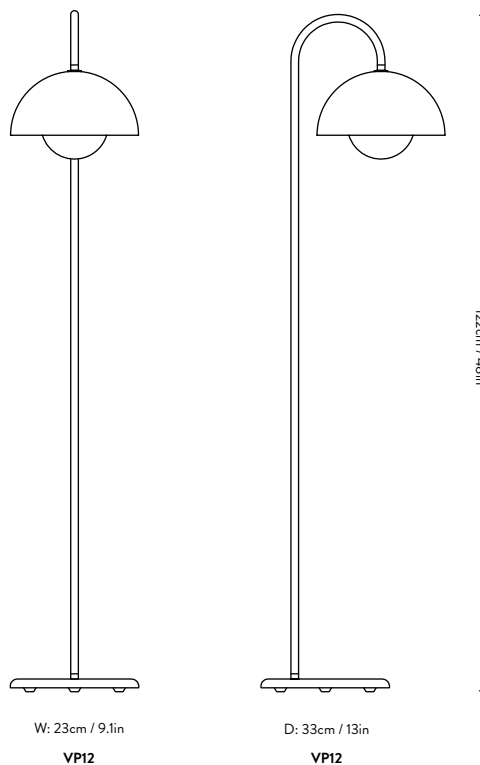
#### Technical Specification

E26 Max 40 Watt

**Material:** Painted or plated steel.

Bulb is not included.

Spare parts available. Please refer to the 'Spare Parts' section.



# Topan <sup>VP6</sup> Verner Panton 1959



Product no.	Product	Variant	Cord	Colli qty.	Lead time	Weight	PRICE EX. STATE TAX
146375A218	Pendant	Matt Black	3m Black textile	2 pcs	Stock item	0.70 kg	405
146375A182	Pendant	Vermilion Red	3m Vermilion Red textile	2 pcs	Stock item	0.70 kg	405
146375A209	Pendant	Grey Beige	3m Grey Beige textile	2 pcs	Stock item	0.70 kg	405
146375A274	Pendant	Chrome-plated	3m Black textile	2 pcs	Stock item	0.70 kg	565

### Technical Specification

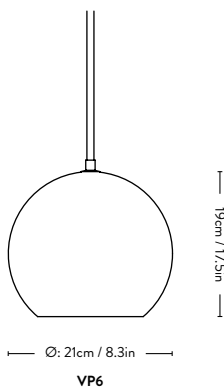
E26 Max 30 Watt

**Material:** Lacquered or plated aluminium.

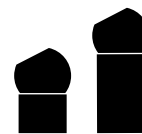
Black textile cord: Black canopy  
White and other colored textile cords: White canopy

Bulb is not included.  
Canopy included.

Spare parts available. Please refer to the 'Spare Parts' section.



# Topan VP13 & VP14 Verner Panton 1959



Product no.	Product	Product code	Variant	Cord	Colli qty.	Lead time	Weight	PRICE EX. STATE TAX
146380A182	Table lamp	VP13	Vermilion Red	3m Vermilion Red textile	2 pcs	Stock item	1.16 kg	520
146380A209	Table lamp	VP13	Grey Beige	3m Grey Beige textile	2 pcs	Stock item	1.16 kg	520
146380A274	Table lamp	VP13	Chrome-plated	3m Black textile	2 pcs	Stock item	1.16 kg	675
146381A182	Table lamp	VP14	Vermilion Red	3m Vermilion Red textile	2 pcs	Stock item	1.55 kg	630
146381A209	Table lamp	VP14	Grey Beige	3m Grey Beige textile	2 pcs	Stock item	1.55 kg	630
146381A274	Table lamp	VP14	Chrome-plated	3m Black textile	2 pcs	Stock item	1.55 kg	790

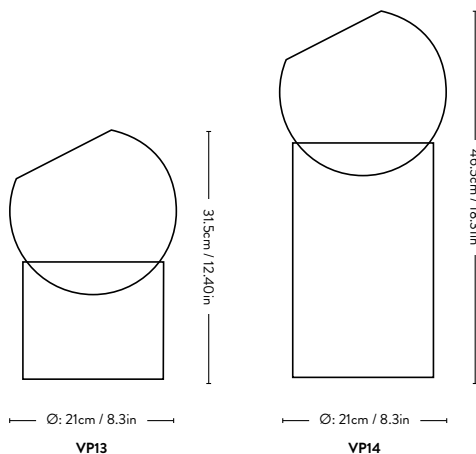
### Technical Specification

E26 Max 12W LED

**Material:** Acrylic base, Aluminium shade, textile cord.

Bulb is not included.

Spare parts available. Please refer to the 'Spare Parts' section.



NEW

# Utzon<sup>JU1</sup> Jørn Utzon 1947



Product no.	Product	Variant	Cord	Colli qty.	Lead time	Weight	PRICE EX. STATE TAX
147619A325	Pendant	Matt White	4m White textile	2 pcs	Stock item	1.40 kg	450
147619A574	Pendant	Dark Burgundy	4m Dark Burgundy textile	2 pcs	Stock item	1.40 kg	495
147619A575	Pendant	Stone Grey	4m Stone Grey textile	2 pcs	Stock item	1.40 kg	495
147619A209	Pendant	Grey Beige	4m Grey Beige textile	2 pcs	Stock item	1.40 kg	495
147619A369	Pendant	Steel Blue	4m Black textile	2 pcs	Stock item	1.40 kg	495
147619A141	Pendant	Brass-plated	4m Black textile	2 pcs	Stock item	1.40 kg	855

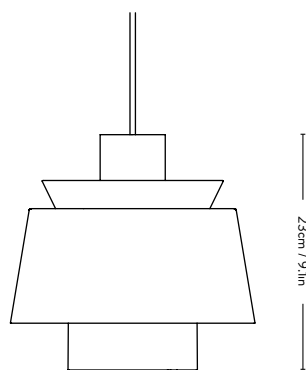
#### Technical Specification

E26 Max 40 Watt

**Material:** Lacquered or plated steel.

Black textile cord: Black canopy  
White textile cords: White canopy

Bulb is not included.  
Canopy included.



Ø: 22cm / 8.7in

JU1

NEW

# Herman SHY3 Signe Hytte 2022



Product no.	Product	Variant	Cord	Colli qty.	Lead time	Weight	PRICE EX. STATE TAX
154800A125	Table lamp	Opal glass w. Walnut & Cream Marble	2m Black textile	2 pcs	Stock item	2.10 kg	675



Made using FSC® certified wood, supporting responsible environmental, social and economical management of the world's forests. Visit [www.fsc.org](http://www.fsc.org)

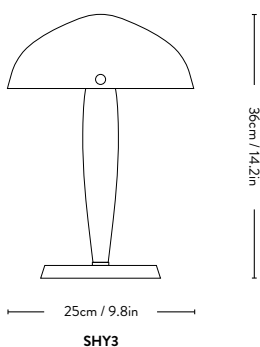
#### Technical Specification

E12 Max 25 Watt

**Material:** Opal glass, walnut & marble.

Bulb is not included.

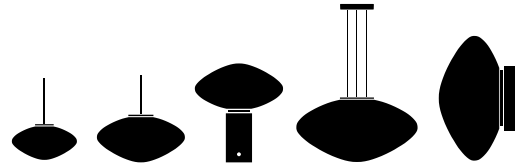
Spare parts available. Please refer to the 'Spare Parts' section.



NEW

# Mist AP15-AP17, AP20 & AP22

## All the Way to Paris 2023



Product no.	Product	Product code	Size	Variant	Cord	Colli qty.	Lead time	Weight	PRICE EX. STATE TAX
154803A324	Pendant	AP15	Ø:25 x H:13 cm	Opal Glass	3m White textile	1 pc	Stock item	1.30 kg	565
154804A324	Pendant	AP16	Ø:37 x H:20 cm	Opal Glass	3m White textile	1 pc	Stock item	2.00 kg	855
154807A324	Table lamp	AP17	Ø:37 x H:41 cm	Guatemala Verde w. Opal glass	2.5m Black textile	1 pc	Stock item	6.20 kg	1.080
154809A324	Table lamp	AP17	Ø:37 x H:41 cm	Grigio Caldo w. Opal Glass	2.5m Black textile	1 pc	Stock item	6.20 kg	1.080
154805A324	Pendant	AP20	Ø:56 x H:29 cm	Opal Glass	6m White textile	1 pc	Stock item	7.00 kg	1.800
156112A324	Wall lamp	AP22	Ø:25 x D:15 cm	Opal Glass		1 pc	Stock item	1.50 kg	565

### Technical Specification

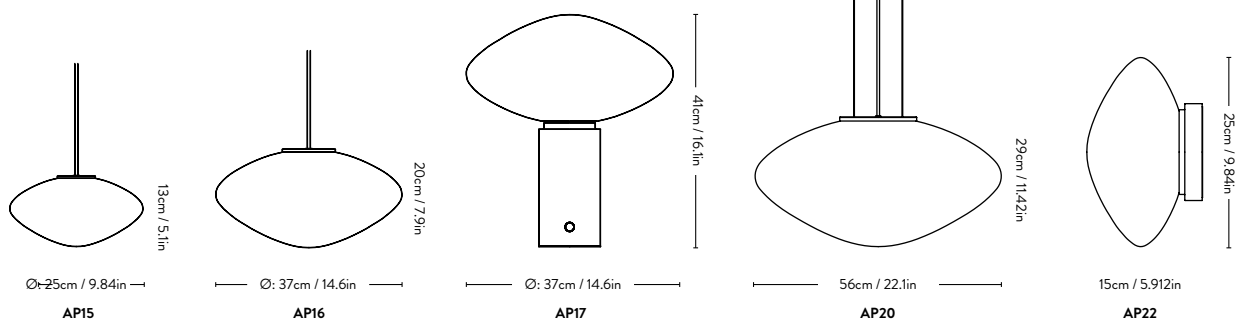
**AP15:** G9 Max 20 Watt  
**AP16:** E12 Max 40 Watt  
**AP17:** E12 Max 40 Watt, Dimmability: Dimmer on base  
**AP20:** E26 Max 12 W LED  
**AP22:** G9 Max. 5 Watt (not included)  
 Indoor/outdoor - IP44  
 Hardwired (installed directly to the power outlet).

### Material:

**AP15, AP16, AP20, AP22:** Mouth-blown glass & aluminium  
**AP17:** Mouth-blown glass & marble

Bulb is not included.  
 White canopy is included for pendants.

Spare parts available. Please refer to the 'Spare Parts' section.



# Lucca<sup>SC51</sup> Space Copenhagen 2020



Product no.	Product	Variant	Colli qty.	Lead time	Weight	PRICE EX. STATE TAX
133163A127	Portable lamp	Black	2 pcs	Stock item	0.90 kg	270

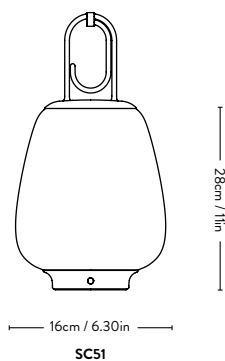
### Technical Specification

2.5 Watt LED Board  
 CRI: >80  
 Colour temperature (Kelvin): 2700K  
 Charging time: 8 hours  
 Operating time in highest light setting: 12 hours  
 Dimmability: 3 level touch dimmer on base 100% - 50% - 20%  
 Battery: Replaceable (spare part)  
 IP class: IP44 (This lamp works indoors and outdoors. It should be charged indoors, but can be left outside. Ensure the micro USB lid is closed to prevent water damage.)

**Material:** Satinised opal glass, powder-coated steel, brass.

LED board included – replaceable (spare part).  
 Micro USB A 200 cm / 79 in charging cable included.

Spare parts available. Please refer to the 'Spare Parts' section.



# Manhattan <sup>SC52</sup> Space Copenhagen 2020



Product no.	Product	Variant	Colli qty.	Lead time	Weight	PRICE EX. STATE TAX
133164A119	Portable lamp	Bronzed	2 pcs	Stock item	0.50 kg	340

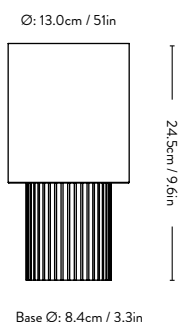
### Technical Specification

G4 LED Bulb 1 Watt  
 CRI: >85  
 Colour temperature (Kelvin): 2700K  
 Charging time: 1 battery 3.5 hours – 2 batteries 6 hours  
 Operating time in highest light setting:  
 1 battery 11 hours – 2 batteries 20 hours  
 Dimmability: 3 level touch dimmer on base 100% - 70% - 40%  
 Battery: Delivery with 1 battery. Replaceable (spare part)  
 IP class: IP20

**Material:** Aluminium, Canvas, ABS

LED bulb included – replaceable (spare part).  
 Magnetic USB A 200 cm / 79 in charging cable included.

Spare parts available. Please refer to the 'Spare Parts' section.



SC52

# Como SC53 Space Copenhagen 2020



Product no.	Product	Variant	Colli qty.	Lead time	Weight	PRICE EX. STATE TAX
133165A232	Portable lamp	Bronzed	2 pcs	Stock item	0.40 kg	340
133165A233	Portable lamp	Black	2 pcs	Stock item	0.40 kg	340
136731A138	Portable lamp	Brass	2 pcs	Stock item	0.60 kg	450
133165A207	Portable lamp	Stone Blue	2 pcs	Stock item	0.40 kg	340
133165A212	Portable lamp	Red Brown	2 pcs	Stock item	0.40 kg	340
133165A166	Portable lamp	Aluminium	2 pcs	Stock item	0.40 kg	340

#### Technical Specification

G4 LED Bulb 1 Watt

CRI: >85

Colour temperature (Kelvin): 2700K

Charging time: 1 battery 3.5 hours – 2 batteries 6 hours

Operating time in highest light setting:

1 battery 11 hours – 2 batteries 20 hours

Dimmability: 3 level touch dimmer on base 100% - 70% - 40%

Battery: Delivery with 1 battery. Replaceable (spare part)

IP class: IP44 (This lamp is for indoors use only. It can be taken outdoors, but must be kept and stored indoors.)

#### Material:

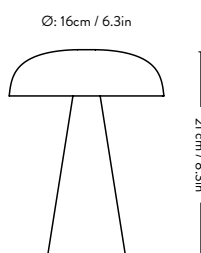
**Metal variants:** Anodised or lacquered aluminium or brass, polycarbonate (PC) & ABS

**Painted variants:** Aluminium & polycarbonate (PC) & ABS

LED bulb included – replaceable (spare part).

Magnetic USB A 200 cm / 79 inch charging cable included.

Spare parts available. Please refer to the 'Spare Parts' section.



# Caret <sup>MF1</sup> Matteo Fogale 2022



Product no.	Product	Variant	Colli qty.	Lead time	Weight	PRICE EX. STATE TAX
133166A160	Portable lamp	Silk Grey	2 pcs	Stock item	0.75 kg	365
133166A163	Portable lamp	Dark Burgundy	2 pcs	Stock item	0.75 kg	365
133166A572	Portable lamp <span style="border: 1px solid black; padding: 2px;">NEW</span>	Antracite	2 pcs	Stock item	0.75 kg	365
133166A573	Portable lamp <span style="border: 1px solid black; padding: 2px;">NEW</span>	Forest	2 pcs	Stock item	0.75 kg	365

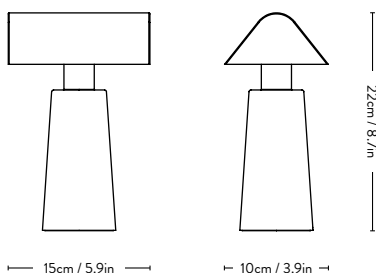
### Technical Specification

G4 LED Bulb 1 Watt  
 CRI: >85  
 Colour temperature (Kelvin): 2700K  
 Charging time: 1 battery 3.5 hours – 2 batteries 6 hours  
 Operating time in highest light setting:  
 1 battery 11 hours – 2 batteries 20 hours  
 Dimmability: 3 level touch dimmer on base 100% - 70% - 40%  
 Battery: Delivery with 1 battery. Replaceable (spare part)  
 IP class: IP44 (This lamp is for indoors use only. It can be taken outdoors, but must be kept and stored indoors.)

**Material:** Lacquered steel, polycarbonate (PC), ABS

LED bulb included – replaceable (spare part).  
 Magnetic USB A 200 cm / 79 in charging cable included.

Spare parts available. Please refer to the 'Spare Parts' section.



MF1

# Raku<sup>SH8</sup> Sebastian Herkner 2022



Product no.	Product	Variant	Colli qty.	Lead time	Weight	PRICE EX. STATE TAX
136746A118	Portable lamp	Blue Green & Brass	2 pcs	Stock item	0.90 kg	430
133167A117	Portable lamp	Beige Grey & Bronzed	2 pcs	Stock item	0.80 kg	430

#### Technical Specification

G4 LED Bulb 1 Watt

CRI: >85

Colour temperature (Kelvin): 2700K

Charging time: 1 battery 3.5 hours – 2 batteries 6 hours

Operating time in highest light setting:

1 battery 11 hours – 2 batteries 20 hours

Dimmability: 3 levels 100% - 70% - 40%

Battery: Delivery with 1 battery. Replaceable (spare part)

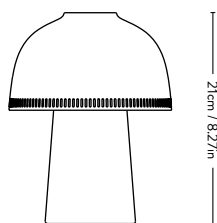
IP class: IP44 (This lamp is for indoors use only. It can be taken outdoors, but must be kept and stored indoors.)

**Material:** Anodised aluminium or lacquered brass shade, ceramic with crackle glazed base, ABS

LED bulb included – replaceable (spare part).

Magnetic USB A 200 cm / 79 inch charging cable included.

Spare parts available. Please refer to the 'Spare Parts' section.



— Ø 16cm / 6.30in —

SH8

# Setago <sup>JH27</sup> Jaime Hayon 2019



Product no.	Product	Variant	Colli qty.	Lead time	Weight	PRICE EX. STATE TAX
133130A152	Portable lamp	Nude & Forest	2 pcs	Stock item	0.70 kg	225
133130A151	Portable lamp	Rust & Thunder	2 pcs	Stock item	0.70 kg	225
133130A150	Portable lamp	Maroon & Grape	2 pcs	Stock item	0.70 kg	225

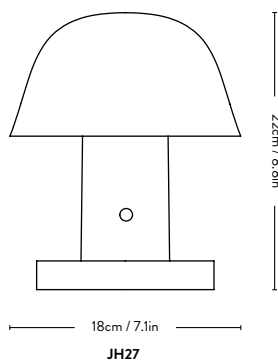
#### Technical Specification

G4 LED Bulb 3 Watt  
 CRI: >80  
 Colour temperature (Kelvin): 2800K  
 Charging time: 8 hours  
 Operating time in highest light setting: 10 hours  
 Dimmability: 3 level touch dimmer on base 100% - 70% - 40%  
 Battery: Replaceable (spare part)  
 IP class: IP44 (This lamp is for indoors use only. It can be taken outdoors, but must be kept and stored indoors.)

**Material:** Moulded polycarbonate and brass.

LED bulb included - replaceable (spare part).  
 Micro USB A 150 cm / 59 in charging cable included.

Spare parts available. Please refer to the 'Spare Parts' section.



# Pivot <sup>ATD7</sup> & Tradition 2023



Product no.	Product	Variant	Colli qty.	Lead time	Weight	PRICE EX. STATE TAX
133277A357	Portable lamp	Rusty Mint	2 pcs	Stock item	1.60 kg	495
133277A264	Portable lamp	Blue Silver	2 pcs	Stock item	1.60 kg	495

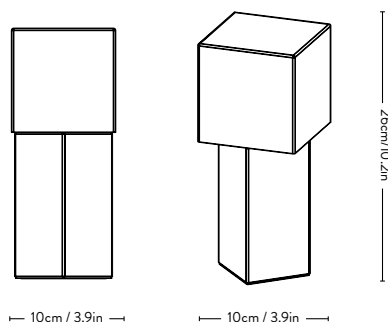
### Technical Specification

G4 LED Bulb 3 Watt  
 CRI: >80  
 Colour temperature (kelvin): 2800K  
 Charging time: 16 hours  
 Operating time in highest light setting: 20 hours  
 Dimmability: 3 level touch dimmer 100% - 70% - 40%  
 Battery: Replaceable (spare part)  
 IP class: IP44 (This lamp is for indoors use only. It can be taken outdoors, but must be kept and stored indoors.)

**Material:** Powder-coated steel & painted or chrome-plated steel

Magnetic USB A 200 cm / 79 in charging cable included.

Spare parts available. Please refer to the 'Spare Parts' section.



ATD7

# Spare Parts

## Furniture & Objects

---

Family	Product code	Product no.	Product	Variant	Colli qty.	PRICE EX. STATE TAX
Collect	SC83	133629	Glass Tube		1 pc	405

---

## Maintenance & Care

We challenge convention to create products that rethink how we use materials and manufacturing techniques. We find beauty in products that can be created by the latest industrial processes as well as those that maintain techniques that have evolved over a long period of time. We strive for timeless beauty and quality that is made to last.

Find information about the materials and variants used in the collection as well as guidelines for daily care, cleaning and maintenance through the link below:

<https://www.andtradition.com/maintenance-and-care>

## Packaging Information

Product	Product code	Category	Height cm	Width cm	Depth cm	Weight	Colli qty.
Collect   Weave	SC28	Cushion	10	50	50	1.00 kg	1 pc
Collect   Weave	SC48	Cushion	10	60	40	1.00 kg	1 pc
Collect   Soft Boucle	SC28	Cushion	10	50	50	1.00 kg	1 pc
Collect   Soft Boucle	SC48	Cushion	10	60	40	1.00 kg	1 pc
Collect   Cotton Throw	SC32	Throw	8	43	46	1.10 kg	1 pc
Collect   Cotton Throw	SC33	Throw	11	42	58	2.15 kg	1 pc
Collect   Woolen Throw	SC34	Throw	7	32	45	0.85 kg	1 pc
Collect   Throw	SC81	Throw	8	46	43	1.10 kg	1 pc
Collect   Plate	SC55	Plate	14	62	62	14.80 kg	1 pc
Collect   Candleholder	SC57	Candleholder	12	5	5	0.45 kg	4 pcs
Collect   Candleholder	SC58	Candleholder	14	5	5	0.47 kg	4 pcs
Collect   Candleholder	SC59	Candleholder	21	5	5	0.51 kg	4 pcs
Collect   Glass	SC60	Glass	11	13	7	1.40 kg	4 pcs
Collect   Glass	SC61	Glass	13	17	9	0.30 kg	4 pcs
Collect   Carafe	SC62	Carafe	27	9	9	0.40 kg	2 pcs
Collect   Carafe	SC63	Carafe	30	10	10	0.50 kg	2 pcs
Collect   Tray	SC64	Tray	3	29	42	0.87 kg	1 pc
Collect   Tray	SC65	Tray	3	39	56	1.20 kg	1 pc
Collect   Bowl	SC82	Bowl	23	33.5	17	2.00 kg	1 pc
Collect   Wine glass	SC79	Wine Glass	16	40	21.5	2.20 kg	2 pcs
Collect   Wine glass	SC80	Wine Glass	21.5	38.5	20.5	2.20 kg	2 pcs
Collect   Glass	SC78	Glass	8.5	16.8	8.4	0.28 kg	2 pcs
Collect   Hurricane	SC83	Lantern	29	29	60	9.11 kg	1 pc
Collect   Rug	SC84	Rug	170	17	17	13.87 kg	1 pc
Collect   Rug	SC85	Rug	200	20	20	22.2 kg	1 pc
Momento Jug	JH38	Jug	25.5	38.5	46.5	6.95 kg	6 pcs
Momento Candleholder	JH39	Candleholder	22	16	32	1.66 kg	4 pcs
Momento Vase	JH40	Vase	32	27	40	2.3 kg	2 pcs
Momento Vase	JH41	Vase	72	24	38	2.8 kg	2 pcs
Momento Vase	JH47	Vase	28.3	17.3	17.3	1.32 kg	2 pcs
Momento I Throw	JH46	Throw	8.5	29.5	39	1.12 kg	1 pc
Capture	SC74	Hook	6	30	23	0.83 kg	1 pc
Capture	SC76	Hanger	6	29	67	2.90 kg	1 pc
Capture	SC77	Coat Stand	14	41	189	8.50 kg	1 pc
Cruise	AP11	Rug	250	30	30	24.50 kg	1 pc
Cruise	AP12	Rug	210	30	30	25.00 kg	1 pc
Cruise	AP23	Rug	21	21	175	18.50 kg	1 pc
The Moor	AP5	Rug	180	30	30	16.25 kg	1 pc
The Moor	AP6	Rug	250	30	30	33.15 kg	1 pc
The Moor	AP18	Rug	21	21	171	14.00 kg	1 pc

## Packaging Information

Product	Product code	Category	Height cm	Width cm	Depth cm	Weight	Colli qty.
The Moor	AP19	Rug	26	26	202	21.00 kg	1 pc
The Moor	AP7	Rug	210	30	30	32.00 kg	1 pc
The Moor	AP8	Rug	310	30	30	38.90 kg	1 pc
Amore	SC49	Mirror	122	122	13	47.50 kg	1 pc
Amore	SC50	Mirror	197	67	13	49.50 kg	1 pc
Amore	SC56	Mirror	80	80	8	12.5kg	1 pc
Sillon	SH4	Mirror	9	54	54	5.40 kg	1 pc
Sillon	SH5	Mirror	9	74	74	9.30 kg	1 pc
Sillon	SH7	Mirror	11	71	201	55.90 kg	1 pc
Votive	AV20	Candleholder	8	18.5	24	0.88 kg	1 pc

# General Terms & Conditions for Sales (B2B)

These general terms and conditions for sales ("GTCs") shall govern all purchase orders ("Order" or "Orders") placed with &Tradition A/S, CVR-nr. 18169304, Fredericiagade 21, 1310 Copenhagen K, Denmark ("&Tradition"), unless otherwise explicitly agreed in writing between the buyer ("Buyer") and &Tradition.

## 1. Prices

1.1. All prices in the price list are recommended resale prices.

1.2. &Tradition may, without prior notice and with immediate effect, change the recommended resale prices, net prices, and/or discount structures.

## 2. Quotations

2.1. Any quotation given by &Tradition will be valid 60 days from the date of issuance, unless otherwise stated.

## 3. Order Handling and Confirmation

3.1. Orders must be sent to info@andtradition.com or to the Buyer's assigned sales representative.

3.2. Orders shall not be binding on &Tradition until the Buyer has received &Tradition's written order confirmation.

3.3. The Buyer must review the order confirmation immediately upon receipt thereof and report any errors within 24 hours to &Tradition on info@andtradition.com or +45 3920 0233.

## 4. Changes and Cancellations of Orders

4.1. Orders can be changed or cancelled in accordance with below rules:

### 4.2. Stock products (standard collection)

4.2.1. For stock products, the Buyer may change or cancel the Order within 24 hours from receipt of the order confirmation. Changes or cancellations later than 24 hours are not possible.

### 4.3. Non-stock products (standard collection)

4.3.1. For non-stock products (standard collection), the Buyer may change or cancel the Order within 72 hours from receipt of the order confirmation.

### 4.4. Customized products

4.4.1. For customized products changes or cancellations are not possible.

4.5. If &Tradition, at its sole discretion, accepts a cancellation request in writing after the above-mentioned deadlines, the Buyer shall be subject to a cancellation fee determined by &Tradition.

## 5. Terms of Payment

5.1. Payment is 14 days net from invoice date.

5.2. Conditions of payment and payment procedures are stated in the order confirmation and invoice.

5.3. &Tradition reserves the right at any time to demand full or partial advance payment on Orders.

5.4. In case of late payment, interest will be charged at a rate of 1.5% per month or part thereof as of the due date.

5.5. Furthermore, &Tradition reserves the right to suspend a Buyer's account if the Buyer's balance is due, in which event no Orders or deliveries to the Buyer will be processed.

## 6. Reservation of Title

6.1. Delivered products remain the property of &Tradition and &Tradition will retain full title over the delivered products until the full invoiced amount including delivery charges as well as interest payable in arrears is fully paid. The Buyer shall be obliged to clearly mark the delivered products as being the property of &Tradition until full pay-

ment has been made.

6.2. Additional and specific terms on retention of title applicable to the Order may be set out in the quotation, order confirmation, delivery note and/or invoice.

## 7. Terms of Delivery

7.1. The shipment date of the Order will be stated on the order confirmation.

7.2. If the Order cannot be shipped in accordance with the stated delivery date, &Tradition will inform the Buyer without undue delay and inform the new shipment date and send an updated order confirmation to the Buyer. Only if the delay exceeds 3 months and is not due to force majeure, the Buyer is entitled to cancel the Order. The Buyer is not entitled to make further claims against &Tradition in cases of delay.

7.3. The lead times as stated in &Tradition's price list in force from time to time can only be used as indicative.

## 8. Delivery Costs

8.1. Delivery costs for the Order will be stated in the order confirmation.

8.2. Delivery costs are calculated on basis of the total Order amount and will be charged for each shipment.

## 9. Transportation

### 9.1. Standard Delivery

9.1.1. The standard delivery term is DAP (Incoterms 2020), and Orders will be shipped from &Tradition or its affiliated warehouses or directly from its suppliers. &Tradition will confirm on the order confirmation if DAP delivery is possible.

9.1.2. Delivery can only happen to shop or warehouse addresses during weekdays and normal working hours of the Buyer.

9.1.3. The Buyer must inform &Tradition of all relevant information related to the Buyer's ability to receive the Order, e.g. if the transportation must be carried out with a big or small lorry, with or without a fork lift, opening hours etc. Any failure to inform &Tradition thereof which consequently results in a failed delivery will be imposed a charge cf. 9.1.4.

9.1.4. In events where the Buyer needs a fixed delivery date and/or slot for the Order, redelivery due to failed delivery attempt of an Order, change of delivery address and/or change to Orders after the deadlines defined in these GTCs additional costs will be charged the Buyer.

9.1.5. A fixed delivery date and/or slot must be informed and accepted by &Tradition in advance of placing the Order and shall be considered agreed when stated in the order confirmation.

### 9.2. Non-standard Delivery

9.2.1. Where standard delivery is not possible or offered, the delivery term is EX-WORKS (Incoterms 2020) at a designated address, such to be accepted by &Tradition in advance.

9.2.2. EX-WORKS Orders will as standard be packed for SEA-freight. If the Buyer wishes the Order packed for AIR-freight, such must be informed and accepted by &Tradition in advance of placing the Order and shall be considered agreed when stated in the order confirmation.

9.2.3. The Order must be collected at the designated location as stated in the order confirmation no later than 30 days after the delivery date. Any delay in picking up the Order will be charged a fee per week of delay.

9.2.4. If the Order hasn't been collected within 60 days from the delivery date this will be deemed as if the Buyer has cancelled the Order, in which event the Buyer will be charged the total Order amount and other incurred costs related to the rearrangement of the packing and shipping of the Order.

# General Terms & Conditions for Sales (B2B)

## 10. Inspection of Orders upon Delivery and Claims

10.1. The Buyer is obliged to inspect the Order upon delivery and check that the number of packages corresponds with the delivery note and that the packaging and products are free from visual defects.

10.2. If a delivery does not comply with the corresponding Order or delivery note, or if the products received appear to have been damaged during transportation, the Buyer must ensure to record a reservation on the delivery document upon receipt or alternatively reject receipt of the Order. If reservation is made subject to receipt of the Order, this must be as specific as possible and include photo documentation of all visual damages in accordance with the claims procedure outlined below. &Tradition shall have the right to reject all claims in connection with visual damages and/or quantity errors if the Buyer has not made a reservation on the delivery document.

### 10.3. Claim Procedure

10.3.1. The Buyer must notify &Tradition of any claims related to clause 10.2. no later than 2 calendar days after delivery of the Order by sending an e-mail to [info@andtradition.com](mailto:info@andtradition.com) informing:

- Sales order number or invoice number;
- Purchase order no. (PO no.);
- &Tradition item number;
- Description of the claim; and
- Photo documentation supporting the claim.

10.3.2. Any claims made subject to the warranty provisions must be notified &Tradition without undue delay and include same documentation as outlined in 10.3.1. and send by e-mail to [af-tersales@andtradition.com](mailto:af-tersales@andtradition.com).

10.3.3. &Tradition reserves the right to reject any claims that do not meet the requirements as set out herein.

10.3.4. Insofar &Tradition approves the claim, &Tradition shall at its sole discretion determine its remedy whether to repair, replace the product or repay the purchase price. The Buyer is not entitled to make financial claims against &Tradition in cases of non-conforming products, unless where mandatory applicable law precludes or prohibits any exclusion or limitation of liability.

## 11. Warranty

11.1. &Tradition provides a two-year warranty on all standard products and five-year warranty on all standard furniture against defects in materials and workmanship. The warranties do not extend to situations and/or defects resulting from, without limitation, any of the following:

- Non-compliance with &Tradition's instructions for assembly, use, maintenance or care;
- Exposure to direct sunlight or heat from i.e. radiators that may fade and dry out surfaces on wood, fabrics or leather;
- Normal wear and tear, including without limitation deformation of foam, webbing, paper cord and rattan, or damage to upholstery; or
- Use of customer's own material (COM), other non-standard fabrics or leather not listed in &Tradition's pricelist on a specific product, or customer-supplied components.

11.2. The warranty will become void upon any alteration or repair of product on the Buyer's own initiative.

### 11.3. Tolerances

11.3.1. Variations naturally occurring in wood, leather, marble and other natural materials, as well as formation of wrinkles on leather and fabrics on upholstery products, are not considered defects in material or workmanship.

11.3.2. For products with LED light, reduction in light output may be expected over time.

11.4. Assembling and Maintenance Guides for Products

11.4.1. On [www.andtradition.com](http://www.andtradition.com) instruction manuals, care and maintenance guides are available.

## 12. Product Compliance

12.1. &Tradition shall be responsible that any product delivered adheres to all laws and regulations applicable to the product within the delivery location at the time of delivery to the Buyer.

12.2. The Buyer undertakes not to export the products to countries where the products do not comply with the laws and regulations applicable to the products in respect to without limitation materials, labelling, packaging, technical requirements etc. The Buyer shall indemnify and hold &Tradition harmless for any damage, loss or claim resulting out of or in connection with the Buyer's breach thereof.

## 13. Force Majeure

13.1. &Tradition shall not be in breach nor liable for any delay in performing, or failure to perform, any of its obligations pursuant to the Order if such delay or failure results from events, circumstances or causes beyond its reasonable control.

## 14. Customer's Own Material (COM)

14.1. &Tradition may, at its sole discretion, accept COM orders where the Buyer wishes to use its own material, including but not limited to textiles, leather, or wood. Any such material must be tested and approved in writing by &Tradition. Approval solely confirms technical suitability for use on the selected product.

14.2. The Buyer is responsible for sourcing, delivering, and ensuring the quality, suitability, and quantity of any COM material supplied.

14.3. Lead time for COM products is calculated from receipt of the material. &Tradition is not liable for any delay resulting from issues related to the COM.

14.4. &Tradition does not guarantee compliance with laws, the alignment of patterns, or the final visual appearance.

14.5. Any warranty provided by &Tradition does not apply to COM products. The Buyer shall indemnify and hold harmless &Tradition against any claims, losses, damages, or costs arising out of or in connection with the use of COM.

## 15. Termination

15.1. Each party may terminate the agreement, including the trade relationship governed by these GTCs, for convenience by giving the other party one (1) month's prior written notice.

## 16. Governing Law and Jurisdiction

16.1. The Order, including these GTCs shall be governed by and construed in accordance with the laws of Denmark, excluding its conflicts of law provisions and the CISG.

16.2. Any disputes between the Parties arising out of or in connection with the Order and/or GTCs shall be settled by the City Court of Copenhagen.

## 17. All Rights Reserved

17.1. &Tradition is not responsible for any printing errors or price errors. &Tradition reserves the right to make changes or to discontinue any product or part thereof without prior notice.

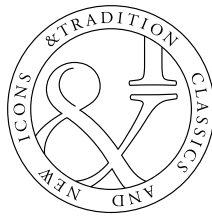
## 18. Contact Information

&Tradition A/S, CVR-nr. 18169304

Office: Fredericiagade 21, 1310 Copenhagen, Denmark

Showroom: Kronprinsessegade 4, 1306 Copenhagen K, Denmark, +45 3920 0233, [info@andtradition.com](mailto:info@andtradition.com)

Last updated 15-05-2025



**&Tradition**  
**Fredericiagade 21**  
**DK-1310 Copenhagen**  
**info@andtradition.com**  
**andtradition.com**

**©&Tradition 2025**  
**#andtradition**

**&Tradition®**