

& Tradition

The Collection
2026



Price list 2026 - Valid from February 4th
Currency: USD

Certified



Corporation

Furniture

Rely ^{HW118-HW122}

Design Hee Welling | 2026
Category Counter stool
Variants Plastic, Upholstery

Price* from 630 USD

p. 150

Rely ^{HW123-HW127}

Design Hee Welling | 2026
Category Bar stool
Variants Plastic, Upholstery

Price* from 630 USD

p. 156

Rely ^{HW128-HW132}

Design Hee Welling | 2026
Category Counter chair
Variants Plastic, Upholstery

Price* from 700 USD

p. 162

Rely ^{HW133-HW137}

Design Hee Welling | 2026
Category Bar chair
Variants Plastic, Upholstery

Price* from 700 USD

p. 168

Ita ^{OS5 & OS6}

Design OEO Studio | 2025
Category Seat pad
Variants Upholstery

Price* from 360 USD

p. 197

Kape ^{IF7}

Design Industrial Facility | 2026
Category Side chair
Variants Warm Black or Polished Aluminium frame with Upholstery

Price* from 1.125 USD

p. 200

Develius ^{EV3}

Design Edward van Vliet | 2026
Category Coffee table
Variants Ivory, Stone Grey

Price* 1.350 USD

p. 326

Thorvald ^{SC111}

Design Space Copenhagen | 2026
Category Dining bench
Variants Warm Black, Bronze Green, Ivory

Price* 1.015 USD

p. 336

Thorvald ^{SC111}

Design Space Copenhagen | 2026
Category Seat pad or Cushion
Variants Heritage Char, Heritage Papyrus, Marquetry Bora

Price* from 340 USD

p. 336

Thorvald ^{SC113}

Design Space Copenhagen | 2026
Category Dining Table
Variants Warm Black, Bronze Green, Ivory

Price* 1.800 USD

p. 338

Thorvald ^{SC108}

Design Space Copenhagen | 2026
Category Coffee Table
Variants Warm Black, Bronze Green, Ivory

Price* 900 USD

p. 339

Thorvald ^{SC109}

Design Space Copenhagen | 2026
Category Coffee Table
Variants Warm Black, Bronze Green, Ivory

Price* 1.240 USD

p. 339

Furniture

Thorvald SC110

Design Space Copenhagen | 2026
Category Lounge Sofa
Variants Warm Black, Bronze Green, Ivory

Price* 1.350 USD
p. 341

Thorvald SC110

Design Space Copenhagen | 2026
Category Seat pad or Cushion
Variants Heritage Char, Heritage Papyrus, Marquetry Bora

Price* from 385 USD
p. 341

Thorvald SC112

Design Space Copenhagen | 2026
Category Bench
Variants Warm Black, Bronze Green, Ivory

Price* 790 USD
p. 342

Thorvald SC112

Design Space Copenhagen | 2026
Category Seat pad
Variants Heritage Char, Heritage Papyrus, Marquetry Bora

Price* from 340 USD
p. 342

Rely HW138

Design Hee Welling | 2026
Category Outdoor Side Chair
Variants Red Brown, Beige Sand, Light Blue

Price* 430 USD
p. 349

Lighting

NEW VARIANTS

NEW VARIANTS

Colette ^{ATD6}

Design &Tradition | 2020
Category Table lamp
Variants White & Black, White & Merlot

Price* 565 USD
 p. 375

Flowerpot ^{VP10}

Design Verner Panton | 1968
Category Pendant
New Variants Steel Blue, Ivory, Zesty Orange

Price* 340 USD
 p. 376

Flowerpot ^{VP1}

Design Verner Panton | 1968
Category Pendant
New Variants Steel Blue, Ivory, Zesty Orange

Price* 405 USD
 p. 377

NEW VARIANTS

NEW VARIANTS

NEW VARIANTS

Flowerpot ^{VP7}

Design Verner Panton | 1968
Category Pendant
New Variants Steel Blue, Ivory, Zesty Orange

Price* 655 USD
 p. 378

Flowerpot ^{VP2}

Design Verner Panton | 1968
Category Pendant
New Variants Steel Blue, Ivory, Zesty Orange

Price* 945 USD
 p. 379

Flowerpot ^{VP3}

Design Verner Panton | 1968
Category Table lamp
New Variants Steel Blue, Ivory, Zesty Orange

Price* 520 USD
 p. 380

NEW VARIANTS

NEW VARIANTS

NEW VARIANTS

Flowerpot ^{VP4}

Design Verner Panton | 1968
Category Table lamp
New Variants Steel Blue

Price* 520 USD
 p. 381

Flowerpot ^{VP8}

Design Verner Panton | 1968
Category Wall lamp
New Variants Steel Blue

Price* 565 USD
 p. 382

Flowerpot ^{VP9}

Design Verner Panton | 1968
Category Portable lamp
New Variants Steel Blue, Ivory, Zesty Orange

Price* 315 USD
 p. 383

NEW VARIANTS

Flowerpot ^{VP12}

Design Verner Panton | 1969
Category Floor lamp
New Variants Steel Blue

Price* 1.080 USD
 p. 384

Utzon ^{JU1}

Design Jørn Utzon | 1947
Category Pendant
Variants Stone Grey, Grey Beige, Dark Burgundy, Steel blue, Matt White, Brass-plated

Price* from 450 USD
 p. 387

Herman ^{SHY3}

Design Signe Hytte | 2022
Category Table Lamp
Variant Opal glass w. Walnut & Cream Marble

Price* 675 USD
 p. 388

Lighting

Mist ^{AP15}

Design All the Way to Paris | 2023
Category Pendant
Variants Opal Glass

Price* 565 USD

p. 389

Mist ^{AP16}

Design All the Way to Paris | 2023
Category Pendant
Variants Opal Glass

Price* 855 USD

p. 389

Mist ^{AP17}

Design All the Way to Paris | 2023
Category Table Lamp
Variants Guatemala Verde or Grigio Caldo w. opal glass

Price* 1.080 USD

p. 389

NEW VARIANTS

Mist ^{AP20}

Design All the Way to Paris | 2025
Category Pendant
Variants Opal Glass

Price* 1.800 USD

p. 389

Mist ^{AP22}

Design All the Way to Paris | 2025
Category Wall & Ceiling Lamp
Variants Opal Glass

Price* 565 USD

p. 389

Caret ^{MF1}

Design Matteo Fogale | 2022
Category Portable lamp
New Variants Antracite, Forest

Price* 365 USD

p. 393

Index

Chairs and Lounge Chairs

Catch p. 19-20	JH1	JH2	JH15	JH13	JH14
--------------------------	-----	-----	------	------	------

Catch p. 21	JH16	JH17
-----------------------	------	------

Elefy p. 22-25	JH28	JH29	JH30	JH31
--------------------------	------	------	------	------

Elefy p. 26-29	JH32	JH33	JH34	JH35
--------------------------	------	------	------	------

Elefy p. 30-31	JH36	JH37
--------------------------	------	------

In Between p. 32-36	SK1	SK2	SK7	SK8	SK9	SK10
-------------------------------	-----	-----	-----	-----	-----	------

Pavilion p. 35-41	AV1	AV2	AV3	AV4	AV12	AV13
-----------------------------	-----	-----	-----	-----	------	------

Pavilion p. 42-44	AV51	AV52	AV53
-----------------------------	------	------	------

Pavilion p. 45-47	AV5	AV6	AV11
-----------------------------	-----	-----	------

Pavilion p. 49-53	AV7	AV8	AV14	AV9	AV10	AV15
-----------------------------	-----	-----	------	-----	------	------

Pavilion p. 54	AV36	AV37	AV38
--------------------------	------	------	------

Rely p. 55-59	HW6	HW7	HW8	HW9	HW10
-------------------------	-----	-----	-----	-----	------

Rely p. 60-70	HW11 HW16	HW12 HW17	HW13 HW18	HW14 HW19	HW15 HW20
-------------------------	--------------	--------------	--------------	--------------	--------------

Rely p. 71-75	HW21	HW22	HW23	HW24	HW25
-------------------------	------	------	------	------	------

Rely p. 76-77	HW26	HW27
-------------------------	------	------

Rely p. 78-82	HW65	HW66	HW67	HW68	HW69
-------------------------	------	------	------	------	------

Rely p. 83-87	HW28	HW29	HW30	HW31	HW32
-------------------------	------	------	------	------	------

Rely p. 88-92	HW33	HW34	HW35	HW36	HW37
-------------------------	------	------	------	------	------

Index



Rely p. 93-103	HW38 HW43	HW39 HW44	HW40 HW45	HW41 HW46	HW42 HW47	
Rely p. 104-108	HW48	HW49	HW50	HW51	HW52	
Rely p. 109-113	HW53	HW54	HW55	HW56	HW57	
Rely p. 114-119	HW71	HW72	HW73	HW74	HW75	
Rely p. 121-125	HW76	HW77	HW78	HW79	HW80	
Rely Counter stool p. 126-131	HW81	HW82	HW83	HW84	HW85	
Rely Bar stool p. 132-137	HW86	HW87	HW88	HW89	HW90	
Rely Counter chair p. 138-143	HW91	HW92	HW93	HW94	HW95	
Rely Bar chair p. 144-149	HW96	HW97	HW98	HW99	HW100	
Rely Counter stool p. 150-156	HW118 NEW	HW119 NEW	HW120 NEW	HW121 NEW	HW122 NEW	
Rely Bar stool p. 156-161	HW123 NEW	HW124 NEW	HW125 NEW	HW126 NEW	HW127 NEW	
Rely Counter chair p. 162-167	HW128 NEW	HW129 NEW	HW130 NEW	HW131 NEW	HW132 NEW	
Rely Bar stool p. 168-173	HW133 NEW	HW134 NEW	HW135 NEW	HW136 NEW	HW137 NEW	
Rely Lounge chair p. 174-179	HW101	HW102	HW103	HW104	HW105	
Rely Seat Pad p. 180-182	Seat pad	Armchair Seat Pad	Stool Seat Pad			
Allwood p. 183	AV35	AV35				
Betty p. 184-187	TK1	TK2	TK3	TK9	TK10	TK11
Betty p. 188-189	TK4 TK5		TK7 TK8			

Index

Betty p. 190-193	TK12	TK13	TK14	TK15	TK16	TK17
----------------------------	------	------	------	------	------	------

Daystak p. 194	RD1
--------------------------	-----

Drawn p. 195	HM3	HM4	Seat Pad
------------------------	-----	-----	----------

Ita p. 196	OS5	OS6	Seat Pad	 
----------------------	-----	-----	----------	--

Ita p. 197	OS5 Seatpad NEW	OS6 Seatpad NEW
----------------------	------------------------------	------------------------------

RFH p. 298-299	RD7	RD8
--------------------------	-----	-----

Kape p. 200	IF7 NEW
-----------------------	-------------------

Massif p. 201	AV39	AV40
-------------------------	------	------

Wire Stool p. 202	VP11	Seat Pad	Marble Top
-----------------------------	------	----------	---------------

Index

Lounge Chairs and Sofas

Boomerang
p. 203-204

HM1

HM2

X
p. 205

HM10

AX
p. 206

HM11

Little Petra
p. 207-212

VB1

VB2

VB3

ATD1

Wulff
p. 213-215

ATD2

ATD3

Margas
p. 216-220

LC1

LC2

LC3

LC4

LC5

Meantime
p. 221-223

AV29

AV30

AV31

Muno
p. 224-228

LN16

LN17

LN18

LN19

LN20

Loafer
p. 229-232

SC106

SC24

SC107

SC23

Loafer
p. 232-234

SC25

SC26

Inland
p. 235-238

AV21

AV22

AV23

AV41

Inland
p. 239-240

AV42

AV32

Mayor
p. 241-242

AJ5

AJ6

Cloud
p. 243-245

LN1

LN2

LN3.2

Cloud
p. 246-248

LN5

LN6

LN7

Develius
p. 249-257

EV1A-
EV1I

EV1J-
EV1K



EV2A-
EVIG

EV2J-
EV2K

Develius Mellow
p. 258-262

EV8A-
EV8K

Develius cushion
p. 263

EV5

EV6

EV7

Index

Isole NN1A-
p. 264-265 NN1G

Hi Lo AV54 AV55
p. 266-267

Fly SC10 SC1 SC2 SC3 SC12 SC9
p. 268-273



Index

Tables

Fly p. 274-275	SC4		SC5		SC11
--------------------------	-----	--	-----	--	------

Sett p. 276	LN11		LN12		LN13
-----------------------	------	--	------	--	------

In Between p. 277-278	SK13 SK14 SK15		SK23 SK24		
---------------------------------	----------------------	--	--------------	--	--

In Between p. 279-282	SK16	SK17	SK3 SK4		MTO
---------------------------------	------	------	------------	--	-----

In Between p. 283-284	SK5	SK6		MTO	
---------------------------------	-----	-----	--	-----	--

In Between p. 285-288	SK11 SK12	SK20	MTO		MTO
---------------------------------	--------------	------	-----	--	-----

In Between p. 289-291	MTO		SK21		SK22
---------------------------------	-----	--	------	--	------

In Between p. 292-293	SK25 SK26	SK27 SK28			
---------------------------------	--------------	--------------	--	--	--

Patch p. 292-295	HW1		HW2		
----------------------------	-----	--	-----	--	--

Drip p. 296	HW115		HW116		HW117
-----------------------	-------	--	-------	--	-------

Drip p. 297-389	HW58		HW59		HW60
---------------------------	------	--	------	--	------

Drip p. 300-310	HW61 HW62	HW63 HW64		HW111 HW112	HW113 HW114
---------------------------	--------------	--------------	--	----------------	----------------

Ita p. 311-312	OS1	OS2		OS3	OS4
--------------------------	-----	-----	--	-----	-----

Pavilion p. 313	AV16		AV17		
---------------------------	------	--	------	--	--

Pavilion p. 314	AV18		AV19		AV24
---------------------------	------	--	------	--	------

Daystak p. 315	RD2	RD3			
--------------------------	-----	-----	--	--	--

Drop Leaf p. 316	HM5	HM6			
----------------------------	-----	-----	--	--	--

Pinwheel p. 317	HM7				
---------------------------	-----	--	--	--	--

Index

X HM13
p. 318

Lato LN8 LN9
p. 319

Tung JA3
p. 320

Palette JH7 JH9 JH25
p. 321-323

Shuffle MH1
p. 324

Halten SH9
p. 325

Develius EV3
p. 326 NEW

Storage

Alima NDS1
p. 327

Guild HM14 HM15
p. 328






Rotate SC73
p. 329

Archivo JH43 JH44 JH45
p. 330

Rombe IF1 IF2 IF3 IF4 IF5 IF6
p. 331-334


Index

Outdoor

Thorvald p. 335	SC94	SC95	Seat Pad	Cushion
Thorvald p. 336	SC111 NEW	Seat Pad NEW	Cushion NEW	
Thorvald p. 337	SC96	SC97		
Thorvald p. 338	SC98	SC113 NEW	SC99	
Thorvald p. 339	SC102	SC108 NEW	SC109 NEW	
Thorvald p. 340	SC100	SC101	Seat Pad	Cushion
Thorvald p. 341	SC110 NEW	Seat Pad NEW	Cushion NEW	
Thorvald p. 342	SC112 NEW	Seat Pad NEW		
Ville p. 343	AV33	AV34	Cushion 	
Ville p. 344	AV44	AV45	AV46	Cushion  Seat Pad 
Ville p. 345	AV27	AV28	AV47	Seat Pad  
Ville p. 346	AV25	AV26		
Ville p. 347	AV50			
RFH p. 348	RD4	Cushion	Seat Pad	RD5 RD6
Rely p. 349	HW138 NEW			

Index

Objects

Collect Cushion p. 350-351	SC28	SC48				
Collect Throw p. 352-354	SC32 SC33		SC34	SC81		
Collect Plate p. 355	SC55					
Collect Candleholder p. 356	SC57- SC59					
Collect Glass & Carafe p. 357	SC78	SC60 SC61	SC62 SC63			
Collect Wine glass & Bowl p. 358	SC79 SC80	SC82				
Collect Tray p. 359	SC64- SC65					
Collect Hurricane p. 360	SC83					
Collect Rug p. 361	SC84	SC85				
Momento Jug p. 362	JH38					
Momento Candleholder p. 363	JH39					
Momento Vase p. 364	JH40	JH41	JH47			
Momento Throw p. 365	JH46					
Capture p. 366	SC74	SC76	SC77			
The Moor p. 367-370	AP5	AP7	AP18	AP19	AP6	AP8
Cruise p. 371	AP11	AP12	AP23			
Amore p. 372	SC49	SC50	SC56			
Sillon p. 373	SH4	SH5	SH7			

Index

Votive	AV20
p. 374	

Index

Lighting

Colette ATD6
p. 375 **NEW**

Flowerpot VP10 VP1 VP7 VP2
p. 376-379

Flowerpot VP3 VP4 VP8 VP9 VP12
p. 380-384

Topan VP6 VP13 VP14
p. 385-386

Utzon Lamp JU1
p. 387 **NEW**

Herman SHY3
p. 388 **NEW**

Mist AP15 AP16 AP17 AP20 AP22
p. 389 **NEW** **NEW** **NEW** **NEW** **NEW**

Lucca SC51
p. 390

Manhattan SC52
p. 391

Como SC53
p. 392

Caret MF1
p. 393

Raku SH8
p. 394

Setago JH27
p. 395

Pivot ATD7
p. 396

Index

Product information

Table Settings

p. 397-400

Spare Parts

p. 401-412

Maintenance and Care

p. 413

Colour Overview

p. 414-415

Fabric Overview

p. 416

Packaging Information

p. 417-432

Sales procedures for dealers

p. 433-434

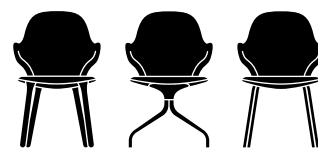
Information regarding lead times

Kindly note that lead times are stated excluding transport from the &Tradition warehouse.

Catch JH1, JH2 & JH15

Jaime Hayon

2013 & 2017



Fabric gr.	Upholstery	Product code	Base	Lead time	Weight	PRICE EX. STATE TAX
Fabric gr. 1	Grain, Hot Madison, Remix, Re-Wool	JH1	Solid Oak	6-8 weeks	8.50 kg	1.315
		JH2	Swivel	6-8 weeks	9.50 kg	1.540
		JH15	Tube	6-8 weeks	8.50 kg	1.315
Fabric gr. 2	Barnum, Canvas, Fiord	JH1	Solid Oak	6-8 weeks	8.50 kg	1.430
		JH2	Swivel	6-8 weeks	9.50 kg	1.655
		JH15	Tube	6-8 weeks	8.50 kg	1.430
Fabric gr. 3	Hallingdal, Mylla, Steelcut Quartet, Steelcut Trio	JH1	Solid Oak	6-8 weeks	8.50 kg	1.475
		JH2	Swivel	6-8 weeks	9.50 kg	1.700
		JH15	Tube	6-8 weeks	8.50 kg	1.475
Fabric gr. 4	Acca, Beda, Cifrado, Ecriture, Vidar	JH1	Solid Oak	6-8 weeks	8.50 kg	1.655
		JH2	Swivel	6-8 weeks	9.50 kg	1.880
		JH15	Tube	6-8 weeks	8.50 kg	1.655
Fabric gr. 5	Gentle, Karakorum, Sisu	JH1	Solid Oak	6-8 weeks	8.50 kg	1.945
		JH2	Swivel	6-8 weeks	9.50 kg	2.175
		JH15	Tube	6-8 weeks	8.50 kg	1.945
Fabric gr. 6	Fuse	JH1	Solid Oak	6-8 weeks	8.50 kg	2.175
		JH2	Swivel	6-8 weeks	9.50 kg	2.400
		JH15	Tube	6-8 weeks	8.50 kg	2.175
Leather	Tailor Semi-aniline leather	JH1	Solid Oak	6-8 weeks	8.50 kg	2.105
		JH2	Swivel	6-8 weeks	9.50 kg	2.330
		JH15	Tube	6-8 weeks	8.50 kg	2.105
Leather	Noble Aniline leather	JH1	Solid Oak	6-8 weeks	8.50 kg	2.510
		JH2	Swivel	6-8 weeks	9.50 kg	2.735
		JH15	Tube	6-8 weeks	8.50 kg	2.510
Leather	Elmosoft Semi-aniline leather	JH1	Solid Oak	6-8 weeks	8.50 kg	2.850
		JH2	Swivel	6-8 weeks	9.50 kg	3.075
		JH15	Tube	6-8 weeks	8.50 kg	2.850
COM	Fabric	JH1	Solid Oak	6-8 weeks	8.50 kg	1.315
		JH2	Swivel	6-8 weeks	9.50 kg	1.540
		JH15	Tube	6-8 weeks	8.50 kg	1.315



Made using FSC® certified wood, supporting responsible environmental, social and economical management of the world's forests. Visit www.fsc.org

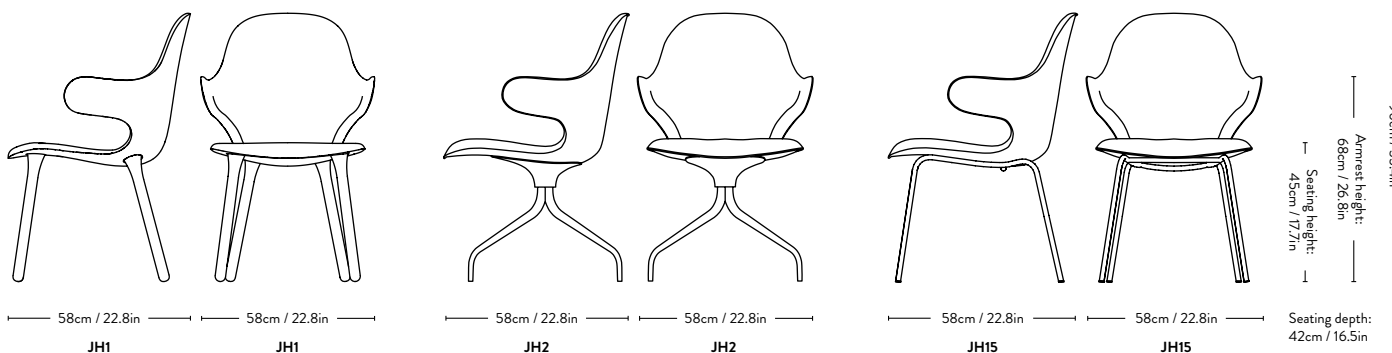
Base	Variant
Solid Oak	Oiled Oak, Smoked Oiled Oak, Water Based Black Lacquered Oak
Swivel	Powder Coated Black, Polished Aluminium
Tube	Powder Coated Black

Material: Moulded PU foam and HR foam.

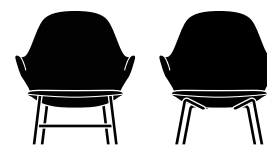
Fabric usage: 1.8 meters based on 140cm roll.

Leather usage: 5 square meters based on a yield of 60% pr hide.

COM must be approved by &Tradition to ensure suitability for upholstery.



Catch^{JH13 & JH14} Jaime Hayon 2017



Fabric gr.	Upholstery	Product code	Base	Lead time	Weight	PRICE EX. STATE TAX
Fabric gr. 1	Grain, Hot Madison, Remix, Re-Wool	JH13	Flat Tube	6-8 weeks	14.00 kg	2.535
		JH14	Round Tube	6-8 weeks	14.00 kg	2.330
Fabric gr. 2	Barnum, Canvas, Fiord	JH13	Flat Tube	6-8 weeks	14.00 kg	2.760
		JH14	Round Tube	6-8 weeks	14.00 kg	2.555
Fabric gr. 3	Hallingdal, Mylla, Steelcut Quartet, Steelcut Trio	JH13	Flat Tube	6-8 weeks	14.00 kg	2.870
		JH14	Round Tube	6-8 weeks	14.00 kg	2.670
Fabric gr. 4	Acca, Beda, Cifrado, Ecriture, Vidar	JH13	Flat Tube	6-8 weeks	14.00 kg	3.210
		JH14	Round Tube	6-8 weeks	14.00 kg	3.005
Fabric gr. 5	Gentle, Karakorum, Sisu	JH13	Flat Tube	6-8 weeks	14.00 kg	4.335
		JH14	Round Tube	6-8 weeks	14.00 kg	4.130
Fabric gr. 6	Fuse	JH13	Flat Tube	6-8 weeks	14.00 kg	4.785
		JH14	Round Tube	6-8 weeks	14.00 kg	4.580
Leather	Tailor Semi-aniline leather	JH13	Flat Tube	6-8 weeks	14.00 kg	3.435
		JH14	Round Tube	6-8 weeks	14.00 kg	3.230
Leather	Noble Aniline leather	JH13	Flat Tube	6-8 weeks	14.00 kg	4.110
		JH14	Round Tube	6-8 weeks	14.00 kg	3.905
Leather	Elmosoft Semi-aniline leather	JH13	Flat Tube	6-8 weeks	14.00 kg	4.950
		JH14	Round Tube	6-8 weeks	14.00 kg	4.695
COM	Fabric	JH13	Flat Tube	6-8 weeks	14.00 kg	2.535
		JH14	Round Tube	6-8 weeks	14.00 kg	2.330

Base Variant

Flat Tube	Warm Black Powder Coated
Round Tube	Warm Black Powder Coated

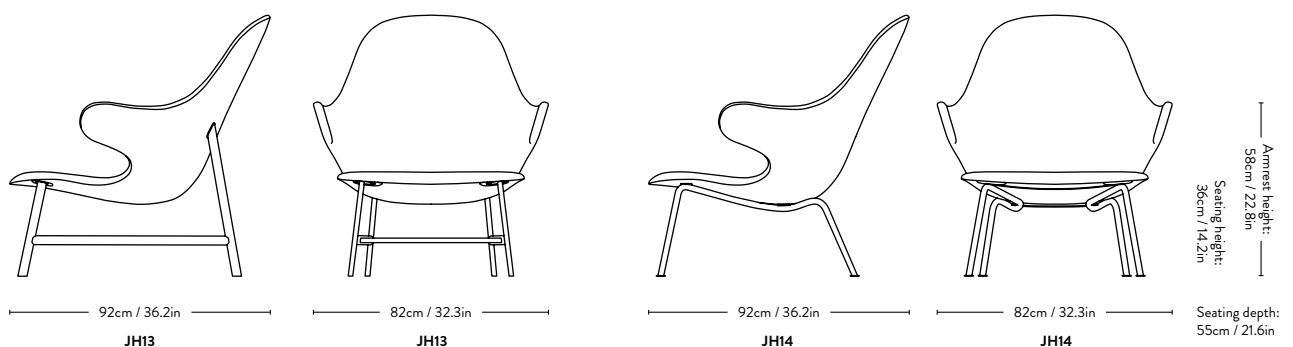
Material: Moulded PU foam and HR foam.

Fabric usage: 3 meters based on 140cm roll.

Leather usage: 6 square meters based on a yield of 60% pr hide.

COM must be approved by &Tradition to ensure suitability for upholstery.

Felt gliders installed as standard.



Catch^{JH16 & JH17} Jaime Hayon 2017



Fabric gr.	Upholstery	Product code	Base	Lead time	Weight	PRICE EX. STATE TAX
Fabric gr. 1	Grain, Hot Madison, Remix, Re-Wool	JH16	Tube	6-8 weeks	11.20 kg	1.495
		JH17	Tube	6-8 weeks	11.50 kg	1.495
Fabric gr. 2	Barnum, Canvas, Fiord	JH16	Tube	6-8 weeks	11.20 kg	1.610
		JH17	Tube	6-8 weeks	11.50 kg	1.610
Fabric gr. 3	Hallingdal, Mylla, Steelcut Quartet, Steelcut Trio	JH16	Tube	6-8 weeks	11.20 kg	1.655
		JH17	Tube	6-8 weeks	11.50 kg	1.655
Fabric gr. 4	Acca, Beda, Cifrado, Ecriture, Vidar	JH16	Tube	6-8 weeks	11.20 kg	1.835
		JH17	Tube	6-8 weeks	11.50 kg	1.835
Fabric gr. 5	Gentle, Karakorum, Sisu	JH16	Tube	6-8 weeks	11.20 kg	2.130
		JH17	Tube	6-8 weeks	11.50 kg	2.130
Fabric gr. 6	Fuse	JH16	Tube	6-8 weeks	11.20 kg	2.420
		JH17	Tube	6-8 weeks	11.50 kg	2.420
Leather	Tailor Semi-aniline leather	JH16	Tube	6-8 weeks	11.20 kg	2.285
		JH17	Tube	6-8 weeks	11.50 kg	2.285
Leather	Noble Aniline leather	JH16	Tube	6-8 weeks	11.20 kg	2.690
		JH17	Tube	6-8 weeks	11.50 kg	2.690
Leather	Elmosoft Semi-aniline leather	JH16	Tube	6-8 weeks	11.20 kg	3.030
		JH17	Tube	6-8 weeks	11.50 kg	3.030
COM	Fabric	JH16	Tube	6-8 weeks	11.20 kg	1.495
		JH17	Tube	6-8 weeks	11.50 kg	1.495



Made using FSC® certified wood, supporting responsible environmental, social and economical management of the world's forests. Visit www.fsc.org

Base Variant

Tube Powder Coated Black

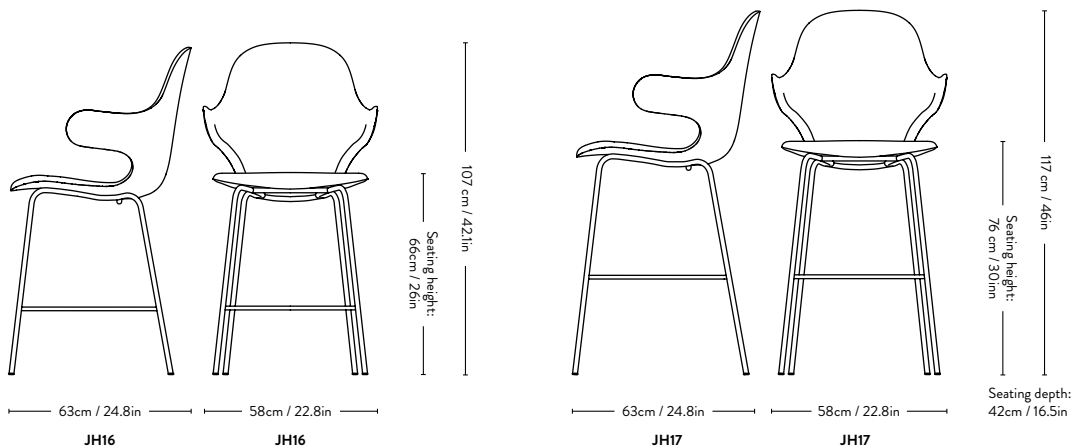
Material: Moulded PU foam and HR foam.

Fabric usage: 1.8 meters based on 140cm roll.

Leather usage: 5 square meters based on a yield of 60% pr hide.

COM must be approved by &Tradition to ensure suitability for upholstery.

Plastic gliders installed as standard.



Elefy ^{JH28} Jaime Hayon 2019



Variant	Base	Lead time	Weight	PRICE EX. STATE TAX
Soft Beige	Black	2-3 weeks	7.80 kg	450
Copper Brown	Black	2-3 weeks	7.80 kg	450

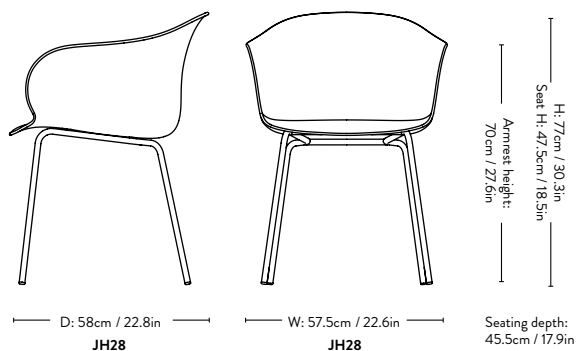
Product no.	Product	Variant	Lead time	PRICE EX. STATE TAX
145303	Plastic gliders for Elefy w. tube base, 4 pcs	Black	Stock item	30
145304	Felt gliders for Elefy w. tube base, 4 pcs	Black	Stock item	30

Base	Variant
------	---------

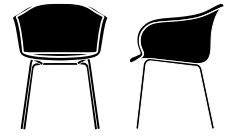
Steel Tube	Black
------------	-------

Material: Polypropylene, steel tube.

Plastic gliders installed as standard.
Felt gliders available upon request.



Elefy ^{JH29} Jaime Hayon 2019



Fabric gr.	Upholstery	Base	Lead time	Weight	PRICE EX. STATE TAX
Fabric gr. 1	Grain, Hot Madison, Remix, Re-Wool	Black	6-8 weeks	7.80 kg	970
Fabric gr. 2	Barnum, Canvas, Fiord	Black	6-8 weeks	7.80 kg	1.105
Fabric gr. 3	Hallingdal, Mylla, Steelcut Quartet, Steelcut Trio	Black	6-8 weeks	7.80 kg	1.150
Fabric gr. 4	Acca, Cifrado, Ecriture, Vidar	Black	6-8 weeks	7.80 kg	1.285
Fabric gr. 5	Gentle, Karakorum, Sisu	Black	6-8 weeks	7.80 kg	1.710
Fabric gr. 6	Fuse	Black	6-8 weeks	7.80 kg	1.870
Leather	Tailor Semi-aniline leather	Black	6-8 weeks	7.80 kg	1.620
Leather	Noble Aniline leather	Black	6-8 weeks	7.80 kg	1.710
Leather	Elmosoft Semi-aniline leather	Black	6-8 weeks	7.80 kg	1.800
COM	Fabric	Black	6-8 weeks	7.80 kg	970

Product no.	Product	Variant	Lead time	PRICE EX. STATE TAX
145303	Plastic gliders for Elefy w. tube base, 4 pcs	Black	Stock item	30
145304	Felt gliders for Elefy w. tube base, 4 pcs	Black	Stock item	30

Base Variant

Steel Tube Black

Material: Polypropylene, HR foam, steel tube, fabric or leather upholstery.

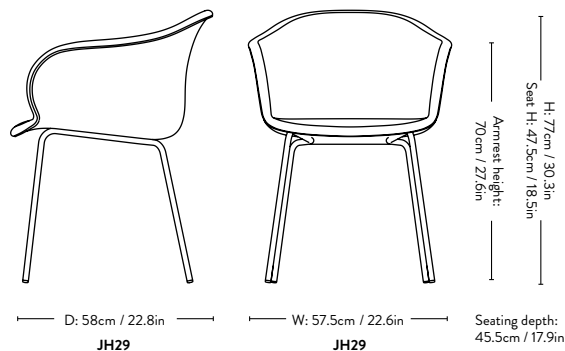
Fabric usage: 1.7 meters based on 140cm roll.

Leather usage: 3 square meters based on a yield of 60% pr hide.

COM must be approved by &Tradition to ensure suitability for upholstery.

Plastic gliders installed as standard.

Felt gliders available upon request.



Elefy JH30

Jaime Hayon

2019



Variant	Base	Lead time	Weight	PRICE EX. STATE TAX
Soft Beige	Oak, Black	2-3 weeks	8.80 kg	630
Copper Brown	Oak, Black	2-3 weeks	8.80 kg	630

Product no.	Product	Variant	Lead time	PRICE EX. STATE TAX
145307	Plastic gliders for Drawn, Elefy w. wood base, Rely w. tube (ex. stacking) & wood base, Muno, and Meantime , 4 pcs	Black	Stock item	20
145308	Felt gliders for Drawn, Elefy w. wood base, Rely w. tube (ex. stacking) & wood base, Muno, and Meantime Lounge Chairs, 4 pcs	Black	Stock item	20

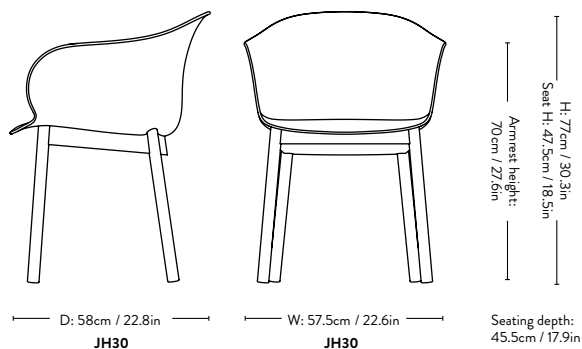


Oak base made using FSC® certified wood, supporting responsible environmental, social and economical management of the world's forests. Visit www.fsc.org

Base	Variant
Solid Oak	Clear or Black water based Lacquered Oak

Material: Polypropylene, solid wood.

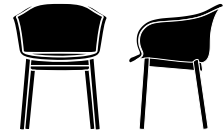
Felt gliders installed as standard.



Elefy JH31

Jaime Hayon

2019



Fabric gr.	Upholstery	Base	Lead time	Weight	PRICE EX. STATE TAX
Fabric gr. 1	Grain, Hot Madison, Remix, Re-Wool	Black , Oak	6-8 weeks	8.80 kg	1.150
Fabric gr. 2	Barnum, Canvas, Fiord	Black , Oak	6-8 weeks	8.80 kg	1.285
Fabric gr. 3	Hallingdal, Mylla, Steelcut Quartet, Steelcut Trio	Black , Oak	6-8 weeks	8.80 kg	1.305
Fabric gr. 4	Acca, Cifrado, Ecriture, Vidar	Black , Oak	6-8 weeks	8.80 kg	1.465
Fabric gr. 5	Gentle, Karakorum, Sisu	Black , Oak	6-8 weeks	8.80 kg	1.890
Fabric gr. 6	Fuse	Black , Oak	6-8 weeks	8.80 kg	2.070
Leather	Tailor Semi-aniline leather	Black , Oak	6-8 weeks	8.80 kg	1.800
Leather	Noble Aniline leather	Black , Oak	6-8 weeks	8.80 kg	1.890
Leather	Elmosoft Semi-aniline leather	Black , Oak	6-8 weeks	8.80 kg	1.980
COM	Fabric	Black , Oak	6-8 weeks	8.80 kg	1.150

Product no.	Product	Variant	Lead time	PRICE EX. STATE TAX
145307	Plastic gliders for Drawn, Elefy w. wood base, Rely w. tube (ex. stacking) & wood base, Muno, and Meantime , 4 pcs	Black	Stock item	20
145308	Felt gliders for Drawn, Elefy w. wood base, Rely w. tube (ex. stacking) & wood base, Muno, and Meantime Lounge Chairs, 4 pcs	Black	Stock item	20



Oak base made using FSC® certified wood, supporting responsible environmental, social and economical management of the world's forests. Visit www.fsc.org

Base Variant

Solid Oak Clear or Black water based Lacquered Oak

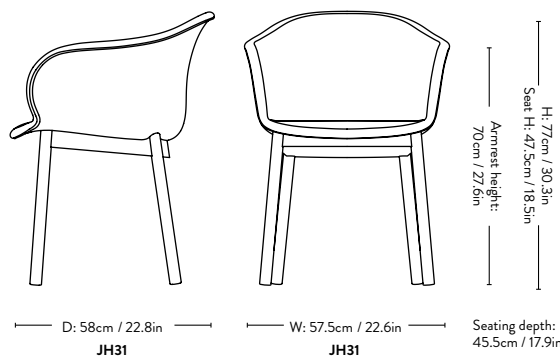
Material: Polypropylene, HR foam, solid wood, fabric or leather upholstery.

Fabric usage: 1.7 meters based on 140cm roll.

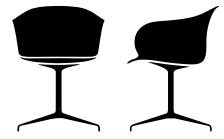
Leather usage: 3 square meters based on a yield of 60% pr hide.

COM must be approved by &Tradition to ensure suitability for upholstery.

Felt gliders installed as standard.



Elefy ^{JH32} Jaime Hayon 2020

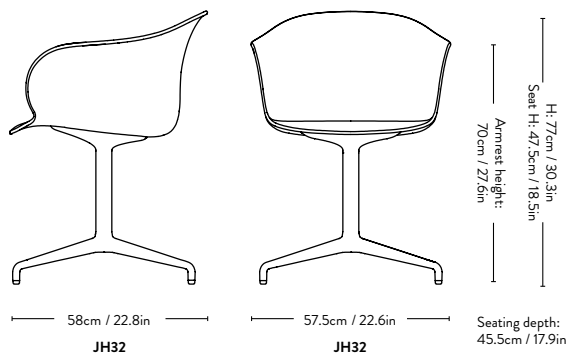


Variant	Base	Lead time	Weight	PRICE EX. STATE TAX
Soft Beige	Black, Polished Aluminium	2-3 weeks	9.00 kg	700
Copper Brown	Black, Polished Aluminium	2-3 weeks	9.00 kg	700

Base	Variant
Swivel	Black, Polished Aluminium

Material: Polypropylene and aluminium.

Plastic gliders installed as standard.
Felt gliders are available upon request.



Elefy ^{JH33} Jaime Hayon 2020



Fabric gr.	Upholstery	Base	Lead time	Weight	PRICE EX. STATE TAX
Fabric gr. 1	Grain, Hot Madison, Remix, Re-Wool	Black, Polished Aluminium	6-8 weeks	10.70 kg	1.195
Fabric gr. 2	Barnum, Canvas, Fiord	Black, Polished Aluminium	6-8 weeks	10.70 kg	1.330
Fabric gr. 3	Hallingdal, Mylla, Steelcut Quartet, Steelcut Trio	Black, Polished Aluminium	6-8 weeks	10.70 kg	1.350
Fabric gr. 4	Acca, Cifrado, Ecriture, Vidar	Black, Polished Aluminium	6-8 weeks	10.70 kg	1.510
Fabric gr. 5	Gentle, Karakorum, Sisu	Black, Polished Aluminium	6-8 weeks	10.70 kg	1.935
Fabric gr. 6	Fuse	Black, Polished Aluminium	6-8 weeks	10.70 kg	2.115
Leather	Tailor Semi-aniline leather	Black, Polished Aluminium	6-8 weeks	10.70 kg	1.845
Leather	Noble Aniline leather	Black, Polished Aluminium	6-8 weeks	10.70 kg	1.935
Leather	Elmosoft Semi-aniline leather	Black, Polished Aluminium	6-8 weeks	10.70 kg	2.025
COM	Fabric	Black, Polished Aluminium	6-8 weeks	10.70 kg	1.195

Base	Variant
Swivel	Black, Polished Aluminium

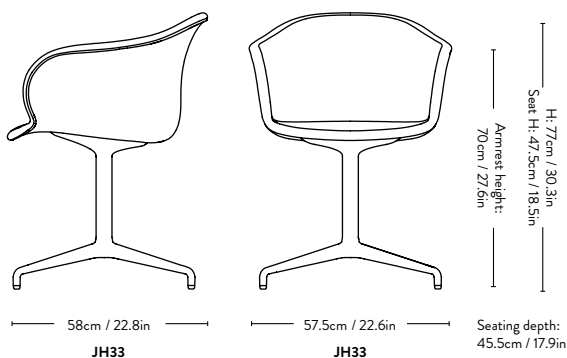
Material: Polypropylene, HR foam, aluminium swivel base, fabric or leather upholstery.

Fabric usage: 1.7 meters based on 140cm roll.

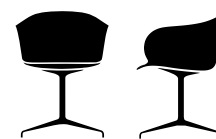
Leather usage: 3 square meters based on a yield of 60% pr hide.

COM must be approved by &Tradition to ensure suitability for upholstery.

Plastic gliders installed as standard.
Felt gliders available upon request.



Elefy^{JH34} Jaime Hayon 2020

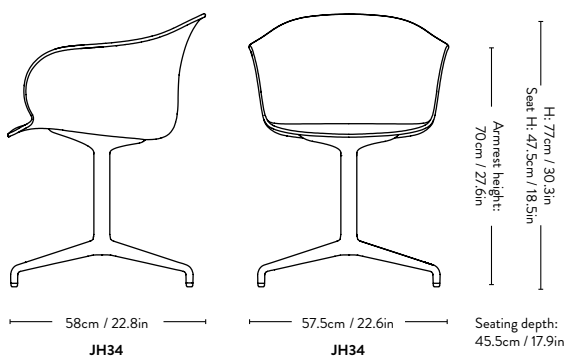


Variant	Base	Lead time	Weight	PRICE EX. STATE TAX
Soft Beige	Black, Polished Aluminium	2-3 weeks	9.00 kg	790
Copper Brown	Black, Polished Aluminium	2-3 weeks	9.00 kg	790

Base	Variant
Swivel	Black, Polished Aluminium

Material: Polypropylene and aluminium swivel base with return function.

Plastic gliders installed as standard.
Felt gliders are available upon request.



Elefy^{JH35} Jaime Hayon 2020



Fabric gr.	Upholstery	Base	Lead time	Weight	PRICE EX. STATE TAX
Fabric gr. 1	Grain, Hot Madison, Remix, Re-Wool	Black, Polished Aluminium	6-8 weeks	10.70 kg	1.285
Fabric gr. 2	Barnum, Canvas, Fiord	Black, Polished Aluminium	6-8 weeks	10.70 kg	1.420
Fabric gr. 3	Hallingdal, Mylla, Steelcut Quartet, Steelcut Trio	Black, Polished Aluminium	6-8 weeks	10.70 kg	1.440
Fabric gr. 4	Acca, Cifrado, Ecriture, Vidar	Black, Polished Aluminium	6-8 weeks	10.70 kg	1.600
Fabric gr. 5	Gentle, Karakorum, Sisu	Black, Polished Aluminium	6-8 weeks	10.70 kg	2.025
Fabric gr. 6	Fuse	Black, Polished Aluminium	6-8 weeks	10.70 kg	2.205
Leather	Tailor Semi-aniline leather	Black, Polished Aluminium	6-8 weeks	10.70 kg	1.935
Leather	Noble Aniline leather	Black, Polished Aluminium	6-8 weeks	10.70 kg	2.025
Leather	Elmosoft Semi-aniline leather	Black, Polished Aluminium	6-8 weeks	10.70 kg	2.115
COM	Fabric	Black, Polished Aluminium	6-8 weeks	10.70 kg	1.285

Base Variant

Swivel Black, Polished Aluminium

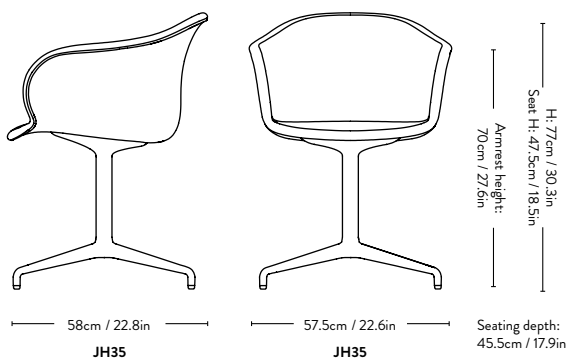
Material: Polypropylene, HR foam, aluminium swivel base, fabric or leather upholstery.

Fabric usage: 1.7 meters based on 140cm roll.

Leather usage: 3 square meters based on a yield of 60% pr hide.

COM must be approved by &Tradition to ensure suitability for upholstery.

Plastic gliders installed as standard.
Felt gliders available upon request.



Elefy^{JH36} Jaime Hayon 2020



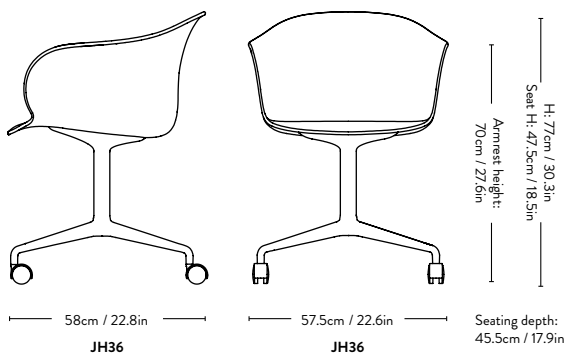
Variant	Base	Lead time	Weight	PRICE EX. STATE TAX
Soft Beige	Black, Polished Aluminium	2-3 weeks	9.50 kg	790
Copper Brown	Black, Polished Aluminium	2-3 weeks	9.50 kg	790

Base	Variant
Swivel	Black, Polished Aluminium

Material: Polypropylene and aluminium base with castors.

Castors in matching colour are installed as standard.

Suitable for all floor types.



Elefy ^{JH37} Jaime Hayon 2020



Fabric gr.	Upholstery	Base	Lead time	Weight	PRICE EX. STATE TAX
Fabric gr. 1	Grain, Hot Madison, Remix, Re-Wool	Black, Polished Aluminium	6-8 weeks	11.50 kg	1.285
Fabric gr. 2	Barnum, Canvas, Fiord	Black, Polished Aluminium	6-8 weeks	11.50 kg	1.420
Fabric gr. 3	Hallingdal, Mylla, Steelcut Quartet, Steelcut Trio	Black, Polished Aluminium	6-8 weeks	11.50 kg	1.440
Fabric gr. 4	Acca, Cifrado, Ecriture, Vidar	Black, Polished Aluminium	6-8 weeks	11.50 kg	1.600
Fabric gr. 5	Gentle, Karakorum, Sisu	Black, Polished Aluminium	6-8 weeks	11.50 kg	2.025
Fabric gr. 6	Fuse	Black, Polished Aluminium	6-8 weeks	11.50 kg	2.205
Leather	Tailor Semi-aniline leather	Black, Polished Aluminium	6-8 weeks	11.50 kg	1.935
Leather	Noble Aniline leather	Black, Polished Aluminium	6-8 weeks	11.50 kg	2.025
Leather	Elmosoft Semi-aniline leather	Black, Polished Aluminium	6-8 weeks	11.50 kg	2.115
COM	Fabric	Black, Polished Aluminium	6-8 weeks	11.50 kg	1.285

Base Variant

Swivel Black, Polished Aluminium

Material: Polypropylene, HR foam, aluminium base with castors, fabric or leather upholstery.

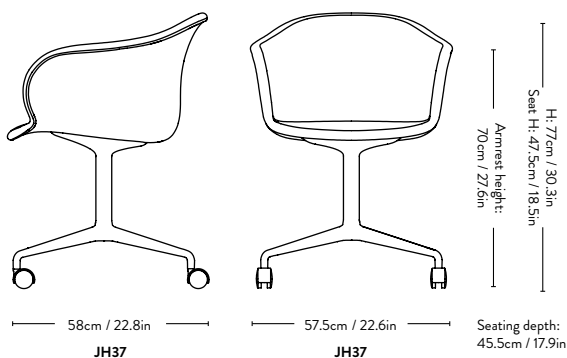
Fabric usage: 1.7 meters based on 140cm roll.

Leather usage: 3 square meters based on a yield of 60% pr hide.

COM must be approved by &Tradition to ensure suitability for upholstery.

Castors in matching colour are installed as standard.

Suitable for all floor types



In Between ^{SK1} Sami Kallio 2013



Product no.	Variant	Colli qty.	Lead time	Weight	PRICE EX. STATE TAX
134332	Smoked Oiled Oak	2 pcs	Stock item	7.00 kg	745
134333	Oiled Oak	2 pcs	Stock item	7.00 kg	745
134334	Black Lacquered Oak	2 pcs	Stock item	7.00 kg	745
134335	Oiled Walnut	2 pcs	Stock item	7.00 kg	1.015

Product no.	Product	Variant	Lead time	PRICE EX. STATE TAX
145306	Plastic gliders for In Between Chairs, Betty Chairs, and RFH Dining & Lounge Chair, 4 pcs	Black	Stock item	20
145309	Felt gliders for In Between Chairs, Betty Chairs, and RFH Dining & Lounge Chair, 4 pcs	Black	Stock item	20



EU Ecolabel certified, validating high standards of durability, circular design, and responsible use of chemicals. Please contact our sales team for a list of EU Ecolabel compliant combinations.

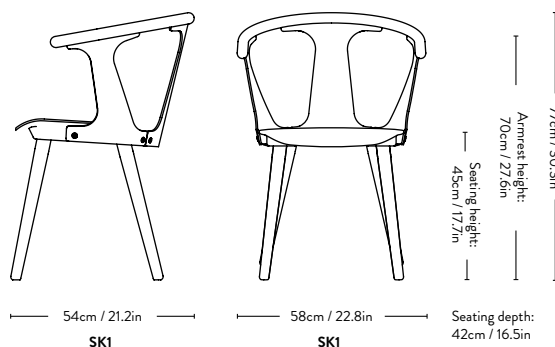


Smoked Oiled Oak, Oiled Oak and Black Laquered Oak made using FSC® certified wood, supporting responsible environmental, social and economical management of the world's forests. Visit www.fsc.org

Frame	Variant
Oak	Oiled Oak, Smoked Oiled Oak, Black Lacquered Oak
Walnut	Oiled Walnut

Material: Solid wood and formpressed veneer.

Felt gliders installed as standard.



In Between ^{SK2} Sami Kallio 2013



Fabric gr.	Variant	Base	Lead time	Weight	PRICE EX. STATE TAX
Fabric gr. 1	Grain, Hot Madison, Remix, Re-Wool	Oak	6-8 weeks	7.00 kg	900
		Walnut	6-8 weeks	7.00 kg	1.195
Fabric gr. 2	Barnum, Canvas, Fiord	Oak	6-8 weeks	7.00 kg	1.015
		Walnut	6-8 weeks	7.00 kg	1.305
Fabric gr. 3	Hallingdal, Mylla, Steelcut Quartet, Steelcut Trio	Oak	6-8 weeks	7.00 kg	1.035
		Walnut	6-8 weeks	7.00 kg	1.330
Fabric gr. 4	Acca, Beda, Cifrado, Ecriture, Vidar	Oak	6-8 weeks	7.00 kg	1.080
		Walnut	6-8 weeks	7.00 kg	1.375
Fabric gr. 5	Gentle, Karakorum, Sisu, Zade*	Oak	6-8 weeks	7.00 kg	1.125
		Walnut	6-8 weeks	7.00 kg	1.420
Fabric gr. 6	Fuse	Oak	6-8 weeks	7.00 kg	1.240
		Walnut	6-8 weeks	7.00 kg	1.555
Leather	Tailor Semi-aniline leather	Oak	6-8 weeks	7.00 kg	1.080
		Walnut	6-8 weeks	7.00 kg	1.375
Leather	Noble Aniline leather	Oak	6-8 weeks	7.00 kg	1.125
		Walnut	6-8 weeks	7.00 kg	1.420
Leather	Elmosoft Semi-aniline leather	Oak	6-8 weeks	7.00 kg	1.195
		Walnut	6-8 weeks	7.00 kg	1.485
COM	Fabric	Oak	6-8 weeks	7.00 kg	900
		Walnut	6-8 weeks	7.00 kg	1.195

Product no.	Product	Variant	Lead time	PRICE EX. STATE TAX
145306	Plastic gliders for In Between Chairs, Betty Chairs, and RFH Dining & Lounge Chair, 4 pcs	Black	Stock item	20
145309	Felt gliders for In Between Chairs, Betty Chairs, and RFH Dining & Lounge Chair, 4 pcs	Black	Stock item	20

* Please be aware that patterns may not align at seams or edges



EU Ecolabel certified, validating high standards of durability, circular design, and responsible use of chemicals. Please contact our sales team for a list of EU Ecolabel compliant combinations.

Frame	Variant
Oak	Oiled Oak, Smoked Oiled Oak, Black Lacquered Oak
Walnut	Oiled Walnut

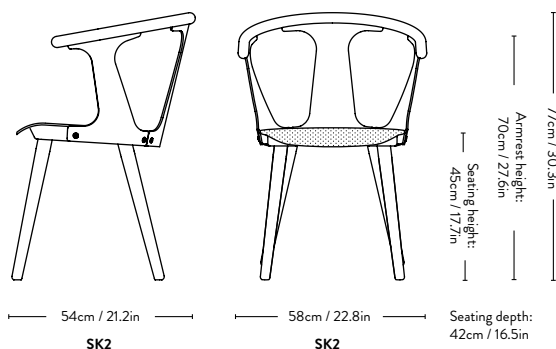
Material: Solid wood, formpressed veneer and HR foam.

Fabric usage: 0.36 meter based on a 140 cm roll.

Leather usage: 0.36 square meters based on a yield of 60% pr hide.

COM must be approved by &Tradition to ensure suitability for upholstery.

Felt gliders installed as standard.



Smoked Oiled Oak, Oiled Oak and Black Laquered Oak made using FSC® certified wood, supporting responsible environmental, social and economical management of the world's forests. Visit www.fsc.org

In Between SK7 & SK8

Sami Kallio

2017



Product no.	Variant	Product code	Colli qty.	Lead time	Weight	PRICE EX. STATE TAX
134340	Smoked Oiled Oak	SK7	1 pc	Stock item	6.50 kg	900
134341	Oiled Oak	SK7	1 pc	Stock item	6.50 kg	900
134342	Black Lacquered Oak	SK7	1 pc	Stock item	6.50 kg	900

Fabric gr.	Upholstery	Product code	Lead time	Weight	PRICE EX. STATE TAX
Fabric gr. 1	Grain, Hot Madison, Remix, Re-Wool	SK8	6-8 weeks	7.00 kg	1.080
Fabric gr. 2	Barnum, Canvas, Fiord	SK8	6-8 weeks	7.00 kg	1.170
Fabric gr. 3	Hallingdal, Mylla, Steelcut Quartet, Steelcut Trio	SK8	6-8 weeks	7.00 kg	1.180
Fabric gr. 4	Acca, Beda, Cifrado, Ecriture, Vidar	SK8	6-8 weeks	7.00 kg	1.195
Fabric gr. 5	Gentle, Karakorum, Sisu, Zade*	SK8	6-8 weeks	7.00 kg	1.285
Fabric gr. 6	Fuse	SK8	6-8 weeks	7.00 kg	1.420
Leather	Tailor Semi-aniline leather	SK8	6-8 weeks	7.00 kg	1.240
Leather	Noble Aniline leather	SK8	6-8 weeks	7.00 kg	1.285
Leather	Elmosoft Semi-aniline leather	SK8	6-8 weeks	7.00 kg	1.350
COM	Fabric	SK8	6-8 weeks	7.00 kg	1.080

Product no.	Product	Variant	Lead time	PRICE EX. STATE TAX
145306	Plastic gliders for In Between Chairs, Betty Chairs, and RFH Dining & Lounge Chair, 4 pcs	Black	Stock item	20
145309	Felt gliders for In Between Chairs, Betty Chairs, and RFH Dining & Lounge Chair, 4 pcs	Black	Stock item	20

* Please be aware that patterns may not align at seams or edges



EU Ecolabel certified, validating high standards of durability, circular design, and responsible use of chemicals. Please contact our sales team for a list of EU Ecolabel compliant combinations.

EU Ecolabel - DK/049/002



Made using FSC® certified wood, supporting responsible environmental, social and economical management of the world's forests. Visit www.fsc.org

The mark of responsible forestry

Frame Variant

Wood Oiled Oak, Smoked Oiled Oak, Black Lacquered Oak

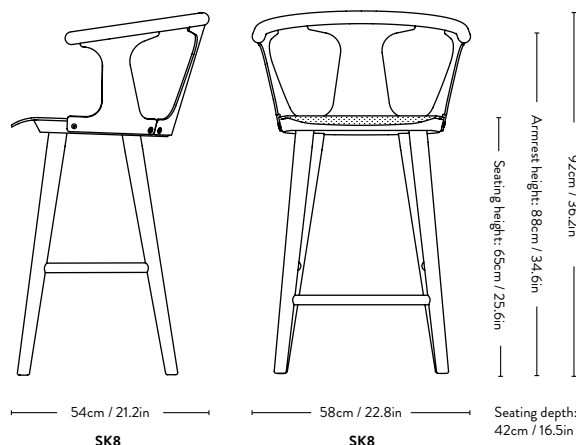
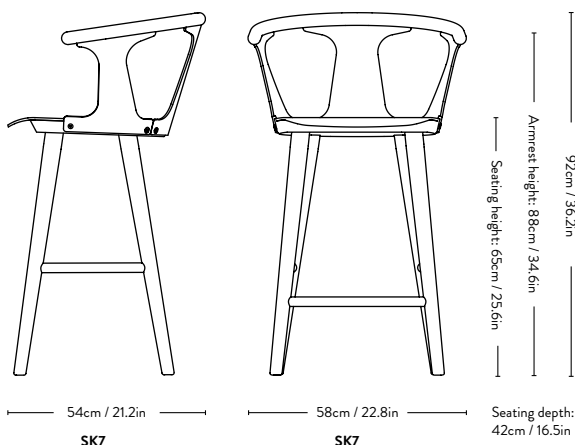
Material: Solid wood, formpressed veneer and HR foam.

Fabric usage: 0.36 meter based on a 140 cm roll.

Leather usage: 0.36 square meters based on a yield of 60% pr hide.

COM must be approved by &Tradition to ensure suitability for upholstery.

Felt gliders installed as standard.



In Between ^{SK9 & SK10} Sami Kallio 2017



Product no.	Variant	Product code	Colli qty.	Lead time	Weight	PRICE EX. STATE TAX
134346	Smoked Oiled Oak	SK9	1 pc	Stock item	6.50 kg	900
134347	Oiled Oak	SK9	1 pc	Stock item	6.50 kg	900
134348	Black Lacquered Oak	SK9	1 pc	Stock item	6.50 kg	900

Fabric gr.	Upholstery	Product code	Lead time	Weight	PRICE EX. STATE TAX
Fabric gr. 1	Grain, Hot Madison, Remix, Re-Wool	SK10	6-8 weeks	7.00 kg	1.080
Fabric gr. 2	Barnum, Canvas, Fiord	SK10	6-8 weeks	7.00 kg	1.170
Fabric gr. 3	Hallingdal, Mylla, Steelcut Quartet, Steelcut Trio	SK10	6-8 weeks	7.00 kg	1.180
Fabric gr. 4	Acca, Beda, Cifrado, Ecriture, Vidar	SK10	6-8 weeks	7.00 kg	1.195
Fabric gr. 5	Gentle, Karakorum, Sisu, Zade*	SK10	6-8 weeks	7.00 kg	1.285
Fabric gr. 6	Fuse	SK10	6-8 weeks	7.00 kg	1.420
Leather	Tailor Semi-aniline leather	SK10	6-8 weeks	7.00 kg	1.240
Leather	Noble Aniline leather	SK10	6-8 weeks	7.00 kg	1.285
Leather	Elmosoft Semi-aniline leather	SK10	6-8 weeks	7.00 kg	1.350
COM	Fabric	SK10	6-8 weeks	7.00 kg	1.080

Product no.	Product	Variant	Lead time	PRICE EX. STATE TAX
145306	Plastic gliders for In Between Chairs, Betty Chairs, and RFH Dining & Lounge Chair, 4 pcs	Black	Stock item	20
145309	Felt gliders for In Between Chairs, Betty Chairs, and RFH Dining & Lounge Chair, 4 pcs	Black	Stock item	20

* Please be aware that patterns may not align at seams or edges



EU Ecolabel certified, validating high standards of durability, circular design, and responsible use of chemicals. Please contact our sales team for a list of EU Ecolabel compliant combinations.



Made using FSC® certified wood, supporting responsible environmental, social and economical management of the world's forests. Visit www.fsc.org

Frame Variant

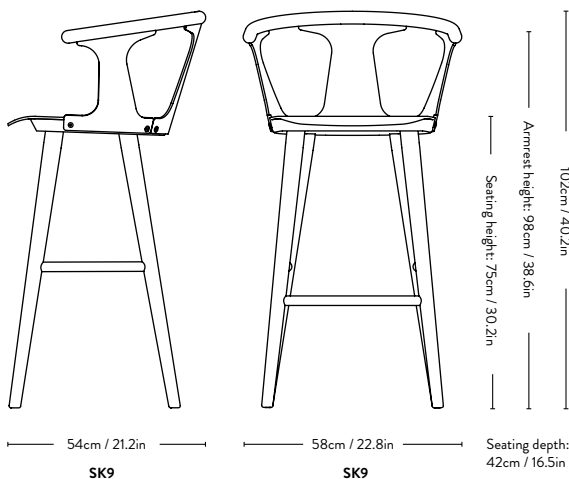
Wood Oiled Oak, Smoked Oiled Oak, Black Lacquered Oak

Material: Solid wood, formpressed veneer and HR foam.

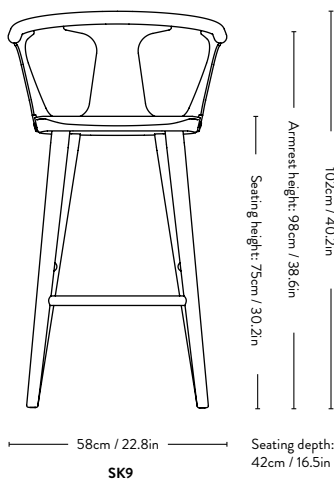
Fabric usage: 0.36 meter based on a 140 cm roll.

Leather usage: 0.36 square meters based on a yield of 60% pr hide.

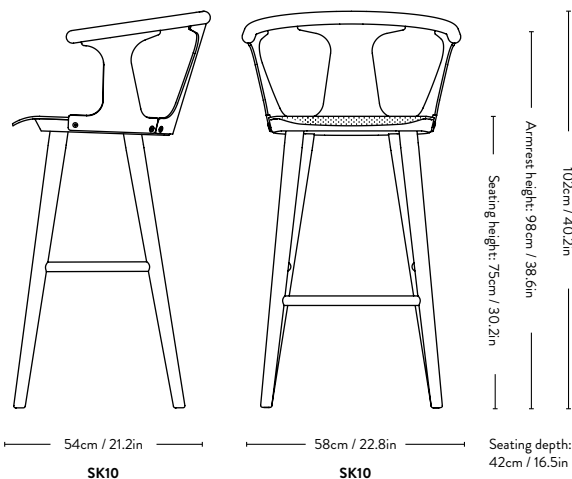
COM must be approved by &Tradition to ensure suitability for upholstery. Felt gliders installed as standard.



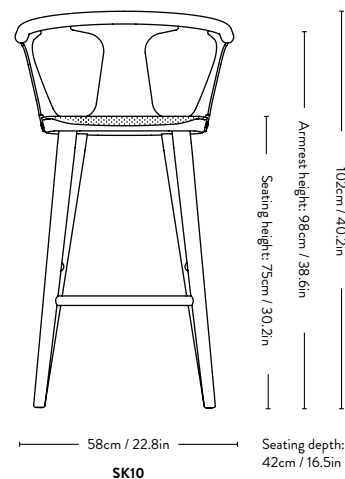
SK9



SK9

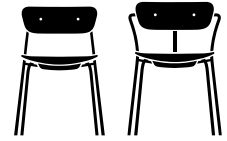


SK10



SK10

Pavilion AV1 & AV2 Anderssen & Voll 2018



Product no.	Variant	Product code	Base	Colli qty.	Lead time	Weight	PRICE EX. STATE TAX
133834A251	Black Oak	AV1	Black	2 pcs	Stock item	4.80 kg	520
133834A249	Oak	AV1	Black	2 pcs	Stock item	4.80 kg	520
133834A247	Walnut	AV1	Black	2 pcs	Stock item	4.80 kg	540
133833A251	Black Oak	AV1	Chrome	2 pcs	6-8 weeks	4.80 kg	565
133833A249	Oak	AV1	Chrome	2 pcs	6-8 weeks	4.80 kg	565
133833A247	Walnut	AV1	Chrome	2 pcs	6-8 weeks	4.80 kg	585
133842A251	Black Oak	AV2	Black	2 pcs	Stock item	5.40 kg	630
133842A249	Oak	AV2	Black	2 pcs	Stock item	5.40 kg	630
133842A247	Walnut	AV2	Black	2 pcs	Stock item	5.40 kg	655
133841A251	Black Oak	AV2	Chrome	2 pcs	6-8 weeks	5.40 kg	700
133841A249	Oak	AV2	Chrome	2 pcs	6-8 weeks	5.40 kg	700
133841A247	Walnut	AV2	Chrome	2 pcs	6-8 weeks	5.40 kg	720

Product no.	Product	Variant	Lead time	Weight	PRICE EX. STATE TAX
134566	Pavilion Stacking Trolley		Stock item	20.00 kg	1.800
	Linking device (must be specified with the order)		6-8 weeks		135
145303	Plastic gliders for Pavilion w. tube base, 4 pcs	Black	Stock item		30
145304	Felt gliders for Pavilion w. tube base, 4 pcs	Black	Stock item		30



EU Ecolabel certified, validating high standards of durability, circular design, and responsible use of chemicals. Please contact our sales team for a list of EU Ecolabel compliant combinations.



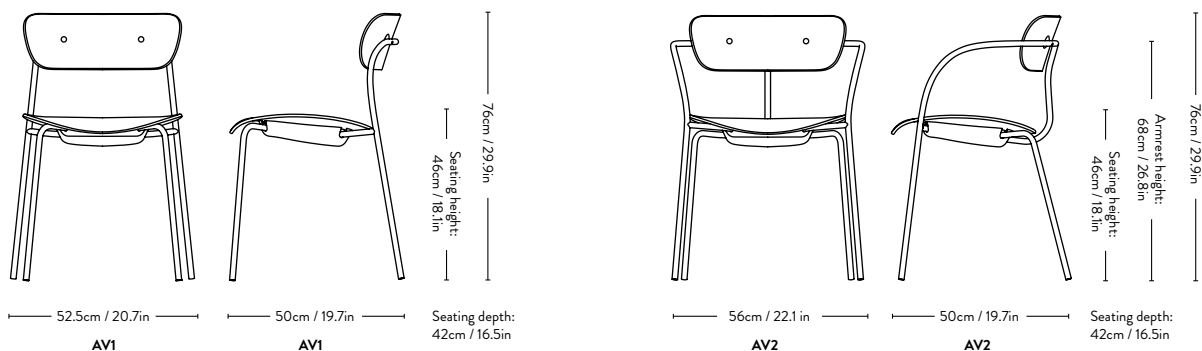
Made using FSC® certified wood, supporting responsible environmental, social and economical management of the world's forests. Visit www.fsc.org

Frame	Seat & back	Back rest fittings
Black	Water based Lacquered Oak, Black Water Based Lacquered Oak, Water based Lacquered Walnut	Black (standard), Brass or Chrome (on request)
Chrome	Water based Lacquered Oak, Black Water Based Lacquered Oak, Water based Lacquered Walnut	Chrome (standard), Brass or Black (on request)

Material: Steel tubes and formpressed veneer.

Plastic gliders installed as standard.
Felt gliders available upon request (6-8 weeks lead time).

Stackable chair:
With trolley: 12 pcs - Without trolley: 10 pcs - With linking device: 8 pcs



Pavilion ^{AV3}

Anderssen & Voll

2018



Fabric gr.	Seat Upholstery	Base	Variant	Lead time	Weight	PRICE EX. STATE TAX
Fabric gr. 1	Grain, Hot Madison, Remix, Re-Wool	Black	Black or Oak	6-8 weeks	5.00 kg	675
		Black	Walnut	6-8 weeks	5.00 kg	700
		Chrome	Black or Oak	6-8 weeks	5.00 kg	720
		Chrome	Walnut	6-8 weeks	5.00 kg	745
Fabric gr. 2	Barnum, Canvas, Fiord	Black	Black or Oak	6-8 weeks	5.00 kg	790
		Black	Walnut	6-8 weeks	5.00 kg	810
		Chrome	Black or Oak	6-8 weeks	5.00 kg	835
		Chrome	Walnut	6-8 weeks	5.00 kg	855
Fabric gr. 3	Hallingdal, Mylla, Steelcut Quartet, Steelcut Trio	Black	Black or Oak	6-8 weeks	5.00 kg	800
		Black	Walnut	6-8 weeks	5.00 kg	820
		Chrome	Black or Oak	6-8 weeks	5.00 kg	845
		Chrome	Walnut	6-8 weeks	5.00 kg	865
Fabric gr. 4	Acca, Beda, Cifrado, Ecriture, Vidar	Black	Black or Oak	6-8 weeks	5.00 kg	810
		Black	Walnut	6-8 weeks	5.00 kg	835
		Chrome	Black or Oak	6-8 weeks	5.00 kg	855
		Chrome	Walnut	6-8 weeks	5.00 kg	880
Fabric gr. 5	Gentle, Karakorum, Sisu, Zade*	Black	Black or Oak	6-8 weeks	5.00 kg	900
		Black	Walnut	6-8 weeks	5.00 kg	925
		Chrome	Black or Oak	6-8 weeks	5.00 kg	945
		Chrome	Walnut	6-8 weeks	5.00 kg	970
Fabric gr. 6	Fuse	Black	Black or Oak	6-8 weeks	5.00 kg	990
		Black	Walnut	6-8 weeks	5.00 kg	1.015
		Chrome	Black or Oak	6-8 weeks	5.00 kg	1.035
		Chrome	Walnut	6-8 weeks	5.00 kg	1.060
Leather	Tailor Semi-aniline leather	Black	Black or Oak	6-8 weeks	5.00 kg	855
		Black	Walnut	6-8 weeks	5.00 kg	880
		Chrome	Black or Oak	6-8 weeks	5.00 kg	900
		Chrome	Walnut	6-8 weeks	5.00 kg	925
Leather	Noble Aniline leather	Black	Black or Oak	6-8 weeks	5.00 kg	900
		Black	Walnut	6-8 weeks	5.00 kg	925
		Chrome	Black or Oak	6-8 weeks	5.00 kg	945
		Chrome	Walnut	6-8 weeks	5.00 kg	970
Leather	Elmosoft Semi-aniline leather	Black	Black or Oak	6-8 weeks	5.00 kg	970
		Black	Walnut	6-8 weeks	5.00 kg	990
		Chrome	Black or Oak	6-8 weeks	5.00 kg	1.015
		Chrome	Walnut	6-8 weeks	5.00 kg	1.035
COM	Fabric	Black	Black or Oak	6-8 weeks	5.00 kg	675
		Black	Walnut	6-8 weeks	5.00 kg	700
		Chrome	Black or Oak	6-8 weeks	5.00 kg	720
		Chrome	Walnut	6-8 weeks	5.00 kg	745

* Please be aware that patterns may not align at seams or edges

Pavilion ^{AV3} Anderssen & Voll 2018



Product no.	Product	Variant	Lead time	Weight	PRICE EX. STATE TAX
134566	Pavilion Stacking Trolley		Stock item	20.00 kg	1.800
	Linking device (must be specified with the order)		6-8 weeks		135
145303	Plastic gliders for Pavilion w. tube base, 4 pcs	Black	Stock item		30
145304	Felt gliders for Pavilion w. tube base, 4 pcs	Black	Stock item		30



EU Ecolabel certified, validating high standards of durability, circular design, and responsible use of chemicals. Please contact our sales team for a list of EU Ecolabel compliant combinations.



Made using FSC® certified wood, supporting responsible environmental, social and economical management of the world's forests. Visit www.fsc.org

Stackable chair:

With trolley: 12 pcs - Without trolley: 10 pcs -With linking device: 8 pcs

Frame	Back	Back rest fittings
Black	Water based Lacquered Oak, Black Water Based Lacquered Oak, Water based Lacquered Walnut	Black (standard), Brass or Chrome (on request)
Chrome	Water based Lacquered Oak, Black Water Based Lacquered Oak, Water based Lacquered Walnut	Chrome (standard), Brass or Black (on request)

Material: Steel tubes, formpressed veneer, HR foam, fabric or leather upholstery.

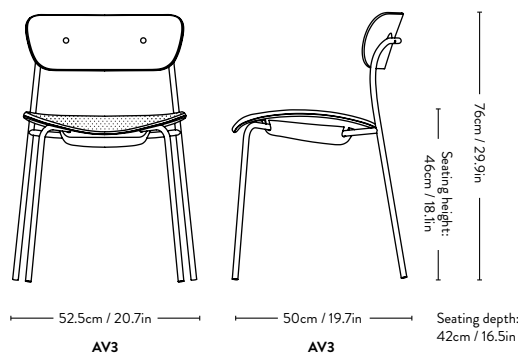
Fabric usage: 0.45 meters based on 140cm roll.

Leather usage: 0.55 square meters based on a yield of 60% pr hide.

COM must be approved by &Tradition to ensure suitability for upholstery.

Plastic gliders installed as standard.

Felt gliders available upon request.



Pavilion ^{AV4}

Anderssen & Voll

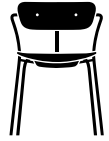
2018



Fabric gr.	Seat Upholstery	Base	Variant	Lead time	Weight	PRICE EX. STATE TAX
Fabric gr. 1	Grain, Hot Madison, Remix, Re-Wool	Black	Black or Oak	6-8 weeks	5.60 kg	790
		Black	Walnut	6-8 weeks	5.60 kg	810
		Chrome	Black or Oak	6-8 weeks	5.60 kg	855
		Chrome	Walnut	6-8 weeks	5.60 kg	880
Fabric gr. 2	Barnum, Canvas, Fiord	Black	Black or Oak	6-8 weeks	5.60 kg	900
		Black	Walnut	6-8 weeks	5.60 kg	925
		Chrome	Black or Oak	6-8 weeks	5.60 kg	970
		Chrome	Walnut	6-8 weeks	5.60 kg	990
Fabric gr. 3	Hallingdal, Mylla, Steelcut Quartet, Steelcut Trio	Black	Black or Oak	6-8 weeks	5.60 kg	910
		Black	Walnut	6-8 weeks	5.60 kg	935
		Chrome	Black or Oak	6-8 weeks	5.60 kg	980
		Chrome	Walnut	6-8 weeks	5.60 kg	1.000
Fabric gr. 4	Acca, Beda, Cifrado, Ecriture, Vidar	Black	Black or Oak	6-8 weeks	5.60 kg	925
		Black	Walnut	6-8 weeks	5.60 kg	945
		Chrome	Black or Oak	6-8 weeks	5.60 kg	990
		Chrome	Walnut	6-8 weeks	5.60 kg	1.015
Fabric gr. 5	Gentle, Karakorum, Sisu, Zade*	Black	Black or Oak	6-8 weeks	5.60 kg	1.015
		Black	Walnut	6-8 weeks	5.60 kg	1.035
		Chrome	Black or Oak	6-8 weeks	5.60 kg	1.080
		Chrome	Walnut	6-8 weeks	5.60 kg	1.105
Fabric gr. 6	Fuse	Black	Black or Oak	6-8 weeks	5.60 kg	1.105
		Black	Walnut	6-8 weeks	5.60 kg	1.125
		Chrome	Black or Oak	6-8 weeks	5.60 kg	1.195
		Chrome	Walnut	6-8 weeks	5.60 kg	1.215
Leather	Tailor Semi-aniline leather	Black	Black or Oak	6-8 weeks	5.60 kg	970
		Black	Walnut	6-8 weeks	5.60 kg	990
		Chrome	Black or Oak	6-8 weeks	5.60 kg	1.035
		Chrome	Walnut	6-8 weeks	5.60 kg	1.060
Leather	Noble Aniline leather	Black	Black or Oak	6-8 weeks	5.60 kg	1.015
		Black	Walnut	6-8 weeks	5.60 kg	1.035
		Chrome	Black or Oak	6-8 weeks	5.60 kg	1.080
		Chrome	Walnut	6-8 weeks	5.60 kg	1.105
Leather	Elmosoft Semi-aniline leather	Black	Black or Oak	6-8 weeks	5.60 kg	1.080
		Black	Walnut	6-8 weeks	5.60 kg	1.105
		Chrome	Black or Oak	6-8 weeks	5.60 kg	1.150
		Chrome	Walnut	6-8 weeks	5.60 kg	1.170
COM	Fabric	Black	Black or Oak	6-8 weeks	5.60 kg	790
		Black	Walnut	6-8 weeks	5.60 kg	810
		Chrome	Black or Oak	6-8 weeks	5.60 kg	855
		Chrome	Walnut	6-8 weeks	5.60 kg	880

* Please be aware that patterns may not align at seams or edges

Pavilion ^{AV4} Anderssen & Voll 2018



Product no.	Product	Variant	Lead time	Weight	PRICE EX. STATE TAX
134566	Pavilion Stacking Trolley		Stock item	20.00 kg	1.800
	Linking device (must be specified with the order)		6-8 weeks		135
145303	Plastic gliders for Pavilion w. tube base, 4 pcs	Black	Stock item		30
145304	Felt gliders for Pavilion w. tube base, 4 pcs	Black	Stock item		30



EU Ecolabel certified, validating high standards of durability, circular design, and responsible use of chemicals. Please contact our sales team for a list of EU Ecolabel compliant combinations.



Made using FSC® certified wood, supporting responsible environmental, social and economical management of the world's forests. Visit www.fsc.org

Frame	Back	Back rest fittings
Black	Water based Lacquered Oak, Black Water Based Lacquered Oak, Water based Lacquered Walnut	Black (standard), Brass or Chrome (on request)
Chrome	Water based Lacquered Oak, Black Water Based Lacquered Oak, Water based Lacquered Walnut	Chrome (standard), Brass or Black (on request)

Material: Steel tubes, formpressed veneer, HR foam, fabric or leather upholstery.

Fabric usage: 0.45 meters based on 140cm roll.

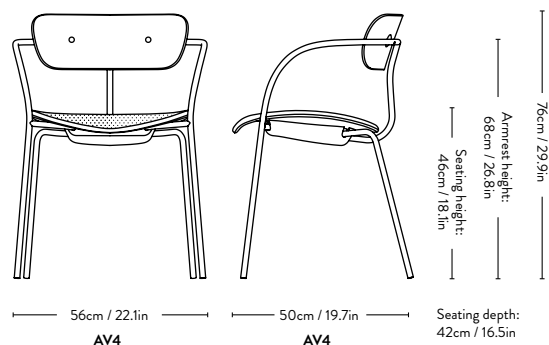
Leather usage: 0.55 square meters based on a yield of 60% pr hide.

COM must be approved by &Tradition to ensure suitability for upholstery.

Plastic gliders installed as standard.
Felt gliders available upon request.

Stackable chair:

With trolley: 12 pcs - Without trolley: 10 pcs -With linking device: 8 pcs



Pavilion ^{AV12} Anderssen & Voll 2019



Fabric gr.	Seat Upholstery	Base	Lead time	Weight	PRICE EX. STATE TAX
Fabric gr. 1	Grain, Hot Madison, Remix, Re-Wool	Black	6-8 weeks	5.00 kg	855
		Chrome	6-8 weeks	5.00 kg	900
Fabric gr. 2	Barnum, Canvas, Fiord	Black	6-8 weeks	5.00 kg	1.080
		Chrome	6-8 weeks	5.00 kg	1.125
Fabric gr. 3	Hallingdal, Mylla, Steelcut Quartet, Steelcut Trio	Black	6-8 weeks	5.00 kg	1.105
		Chrome	6-8 weeks	5.00 kg	1.150
Fabric gr. 4	Acca, Beda, Cifrado, Ecriture, Vidar	Black	6-8 weeks	5.00 kg	1.125
		Chrome	6-8 weeks	5.00 kg	1.170
Fabric gr. 5	Gentle, Karakorum, Sisu, Zade*	Black	6-8 weeks	5.00 kg	1.305
		Chrome	6-8 weeks	5.00 kg	1.350
Fabric gr. 6	Fuse	Black	6-8 weeks	5.00 kg	1.465
		Chrome	6-8 weeks	5.00 kg	1.485
COM	Fabric	Black	6-8 weeks	5.00 kg	855
		Chrome	6-8 weeks	5.00 kg	900

Product no.	Product	Variant	Lead time	Weight	PRICE EX. STATE TAX
134566	Pavilion Stacking Trolley		Stock item	20.00 kg	1.800
	Linking device (must be specified with the order)		6-8 weeks		135
145303	Plastic gliders for Pavilion w. tube base, 4 pcs	Black	Stock item		30
145304	Felt gliders for Pavilion w. tube base, 4 pcs	Black	Stock item		30

* Please be aware that patterns may not align at seams or edges



EU Ecolabel certified, validating high standards of durability, circular design, and responsible use of chemicals. Please contact our sales team for a list of EU Ecolabel compliant combinations.



Made using FSC® certified wood, supporting responsible environmental, social and economical management of the world's forests. Visit www.fsc.org

Frame	Back	Seat
Black	Upholstered	Upholstered
Chrome	Upholstered	Upholstered

Material: Steel tubes, formpressed veneer, HR foam, fabric upholstery.

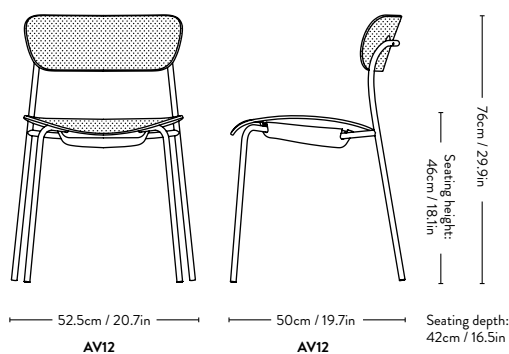
Fabric usage: 0.9 meter based on a 140cm roll.

COM must be approved by &Tradition to ensure suitability for upholstery. Pavilion AV12 is not available in leather.

Plastic gliders installed as standard.
Felt gliders available upon request.

Stackable chair:

With trolley: 12 pcs - Without trolley: 10 pcs -With linking device: 8 pcs



Pavilion ^{AV13} Anderssen & Voll 2019



Fabric gr.	Upholstery	Base	Lead time	Weight	PRICE EX. STATE TAX
Fabric gr. 1	Grain, Hot Madison, Remix, Re-Wool	Black	6-8 weeks	5.60 kg	970
		Chrome	6-8 weeks	5.60 kg	1.035
Fabric gr. 2	Barnum, Canvas, Fiord	Black	6-8 weeks	5.60 kg	1.195
		Chrome	6-8 weeks	5.60 kg	1.260
Fabric gr. 3	Hallingdal, Mylla, Steelcut Quartet, Steelcut Trio	Black	6-8 weeks	5.60 kg	1.215
		Chrome	6-8 weeks	5.60 kg	1.285
Fabric gr. 4	Acca, Beda, Cifrado, Ecriture, Vidar	Black	6-8 weeks	5.60 kg	1.240
		Chrome	6-8 weeks	5.60 kg	1.305
Fabric gr. 5	Gentle, Karakorum, Sisu, Zade*	Black	6-8 weeks	5.60 kg	1.420
		Chrome	6-8 weeks	5.60 kg	1.485
Fabric gr. 6	Fuse	Black	6-8 weeks	5.60 kg	1.555
		Chrome	6-8 weeks	5.60 kg	1.645
COM	Fabric	Black	6-8 weeks	5.60 kg	970
		Chrome	6-8 weeks	5.60 kg	1.035

Product no.	Product	Variant	Lead time	Weight	PRICE EX. STATE TAX
134566	Pavilion Stacking Trolley		Stock item	20.00 kg	1.800
	Linking device (must be specified with the order)		6-8 weeks		135
145303	Plastic gliders for Pavilion w. tube base, 4 pcs	Black	Stock item		30
145304	Felt gliders for Pavilion w. tube base, 4 pcs	Black	Stock item		30

* Please be aware that patterns may not align at seams or edges



EU Ecolabel certified, validating high standards of durability, circular design, and responsible use of chemicals. Please contact our sales team for a list of EU Ecolabel compliant combinations.



Made using FSC® certified wood, supporting responsible environmental, social and economical management of the world's forests. Visit www.fsc.org

Frame	Back	Seat
Black or Chrome	Upholstered	Upholstered

Material: Steel tubes, formpressed veneer, HR foam, fabric upholstery.

Fabric usage: 0.9 meter based on a 140cm roll.

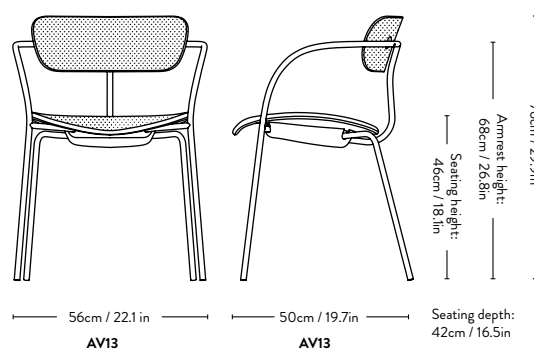
COM must be approved by &Tradition to ensure suitability for upholstery.

Pavilion AV13 is not available in leather.

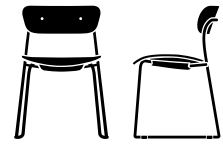
Plastic gliders installed as standard.
Felt gliders available upon request.

Stackable chair:

With trolley: 12 pcs - Without trolley: 10 pcs -With linking device: 8 pcs



Pavilion ^{AV51} Anderssen & Voll 2025



Product no.	Variant	Base	Colli qty.	Lead time	Weight	PRICE EX. STATE TAX
139841A249	Oak	Black	2 pcs	Stock item	4.50 kg	520
139841A251	Black Oak	Black	2 pcs	Stock item	4.50 kg	520
139841A247	Walnut	Black	2 pcs	Stock item	4.50 kg	540

Product no.	Product	Lead time	Weight	PRICE EX. STATE TAX
134566	Pavilion Stacking Trolley	Stock item	20.00 kg	1.800
	Linking device (must be specified with the order)	6-8 weeks		30



Made using FSC® certified wood, supporting responsible environmental, social and economical management of the world's forests. Visit www.fsc.org

Frame	Seat & back	Back rest fittings
Black	Water Based Lacquered Oak, Black Water Based Lacquered Oak, Water Based Lacquered Walnut	Black (standard), Brass or Chrome (on request)

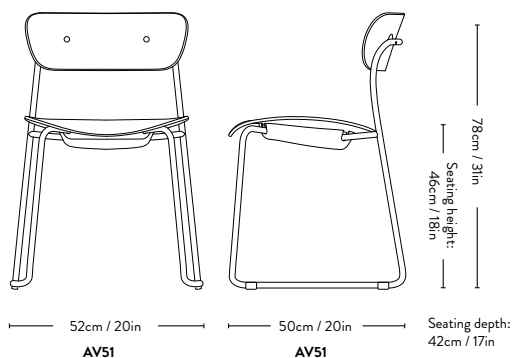
Material: Steel tubes and formpressed veneer.

Plastic gliders installed as standard.

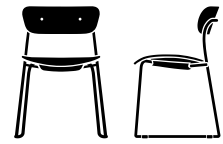
Felt gliders available upon request (6-8 weeks lead time).

Stackable chair:

With trolley: 12 pcs - Without trolley: 10 pcs



Pavilion ^{AV52} Anderssen & Voll 2025



Fabric gr.	Seat Upholstery	Variant	Base	Lead time	Weight	PRICE EX. STATE TAX
Fabric gr. 1	Grain, Hot Madison, Remix, Re-Wool	Black or Oak	Black	6-8 weeks	4.80 kg	675
		Walnut	Black	6-8 weeks	4.80 kg	700
Fabric gr. 2	Barnum, Canvas, Fiord	Black or Oak	Black	6-8 weeks	4.80 kg	790
		Walnut	Black	6-8 weeks	4.80 kg	810
Fabric gr. 3	Hallingdal, Mylla, Steelcut Quartet, Steelcut Trio	Black or Oak	Black	6-8 weeks	4.80 kg	800
		Walnut	Black	6-8 weeks	4.80 kg	820
Fabric gr. 4	Acca, Beda, Cifrado, Ecriture, Vidar	Black or Oak	Black	6-8 weeks	4.80 kg	810
		Walnut	Black	6-8 weeks	4.80 kg	835
Fabric gr. 5	Gentle, Karakorum, Sisu, Zade*	Black or Oak	Black	6-8 weeks	4.80 kg	900
		Walnut	Black	6-8 weeks	4.80 kg	925
Fabric gr. 6	Fuse	Black or Oak	Black	6-8 weeks	4.80 kg	990
		Walnut	Black	6-8 weeks	4.80 kg	1015
Leather	Tailor leather	Black or Oak	Black	6-8 weeks	4.80 kg	855
		Walnut	Black	6-8 weeks	4.80 kg	880
Leather	Noble Aniline leather	Black or Oak	Black	6-8 weeks	4.80 kg	900
		Walnut	Black	6-8 weeks	4.80 kg	925
Leather	Elmosoft Semi-aniline leather	Black or Oak	Black	6-8 weeks	4.80 kg	970
		Walnut	Black	6-8 weeks	4.80 kg	990
COM	Fabric	Black or Oak	Black	6-8 weeks	4.80 kg	675
		Walnut	Black	6-8 weeks	4.80 kg	700

Product no.	Product	Lead time	Weight	PRICE EX. STATE TAX
134566	Pavilion Stacking Trolley	Stock item	20.00 kg	1.800
	Linking device (must be specified with the order)	6-8 weeks		30

* Please be aware that patterns may not align at seams or edges



Made using FSC® certified wood, supporting responsible environmental, social and economical management of the world's forests. Visit www.fsc.org

Frame	Back	Back rest fittings
Black	Water Based Lacquered Oak, Black Water Based Lacquered Oak, Water Based Lacquered Walnut	Black (standard), Brass or Chrome (on request)

Material: Steel tubes, formpressed veneer, HR foam, fabric or leather upholstery.

Fabric usage: 0.7 meters based on 140 cm roll

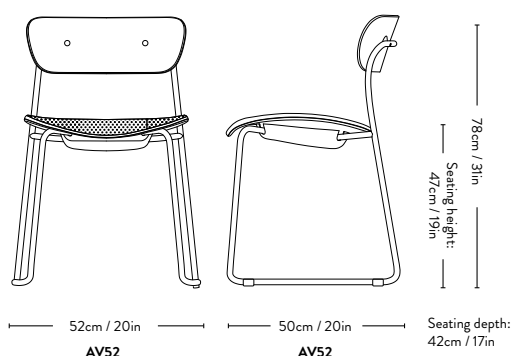
Leather usage: 0.5 square meters based on a yield of 60% pr hide.

COM must be approved by &Tradition to ensure suitability for upholstery.

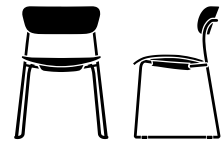
Plastic gliders installed as standard.
Felt gliders available upon request.

Stackable chair:

With trolley: 12 pcs - Without trolley: 8 pcs



Pavilion ^{AV53} Anderssen & Voll 2025



Fabric gr.	Upholstery	Base	Lead time	Weight	PRICE EX. STATE TAX
Fabric gr. 1	Grain, Hot Madison, Remix, Re-Wool	Black	6-8 weeks	5.00 kg	855
Fabric gr. 2	Barnum, Canvas, Fiord	Black	6-8 weeks	5.00 kg	1.080
Fabric gr. 3	Hallingdal, Mylla, Steelcut Quartet, Steelcut Trio	Black	6-8 weeks	5.00 kg	1.105
Fabric gr. 4	Acca, Beda, Cifrado, Ecriture, Vidar	Black	6-8 weeks	5.00 kg	1.125
Fabric gr. 5	Gentle, Karakorum, Sisu, Zade*	Black	6-8 weeks	5.00 kg	1.305
Fabric gr. 6	Fuse	Black	6-8 weeks	5.00 kg	1.465
COM	Fabric	Black	6-8 weeks	5.00 kg	855

Product no.	Product	Lead time	Weight	PRICE EX. STATE TAX
134566	Pavilion Stacking Trolley	Stock item	20.00 kg	1.800
	Linking device (must be specified with the order)	6-8 weeks		30

* Please be aware that patterns may not align at seams or edges



Made using FSC® certified wood, supporting responsible environmental, social and economical management of the world's forests. Visit www.fsc.org

Frame	Back	Seat
Black	Upholstered	Upholstered

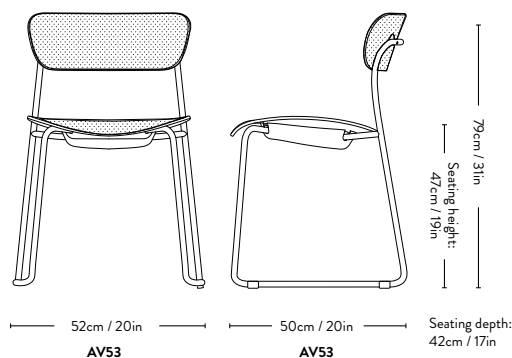
Material: Steel tubes, formpressed veneer, HR foam, fabric or leather upholstery.

Fabric usage: 1.1 meters based on 140 cm roll

COM must be approved by &Tradition to ensure suitability for upholstery.

Plastic gliders installed as standard.
Felt gliders available upon request.

Stackable chair:
With trolley: 12 pcs - Without trolley: 8 pcs



Pavilion ^{AV5} Anderssen & Voll 2018



Product no.	Base	Variant	Colli qty.	Lead time	Weight	PRICE EX. STATE TAX
133865A251	Black	Black Oak	1 pc	6-8 weeks	5.50 kg	1.035
133865A249	Black	Oak	1 pc	6-8 weeks	5.50 kg	1.035
133865A247	Black	Walnut	1 pc	6-8 weeks	5.50 kg	1.105

Product no.	Product	Variant	Lead time	PRICE EX. STATE TAX
145303	Plastic gliders for Pavilion w. tube base, 4 pcs	Black	Stock item	30
145304	Felt gliders for Pavilion w. tube base, 4 pcs	Black	Stock item	30



EU Ecolabel certified, validating high standards of durability, circular design, and responsible use of chemicals. Please contact our sales team for a list of EU Ecolabel compliant combinations.

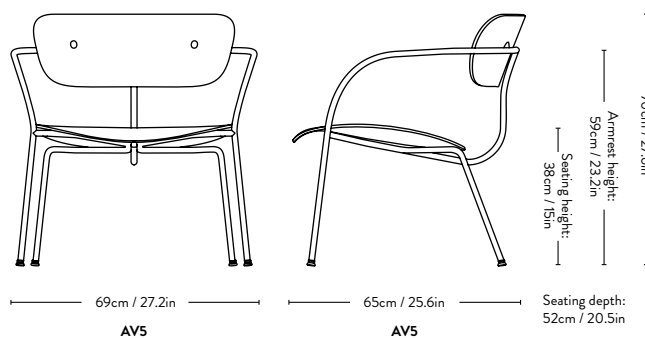


Made using FSC® certified wood, supporting responsible environmental, social and economical management of the world's forests. Visit www.fsc.org

Frame	Seat & back	Back rest fittings
Black	Water based Lacquered Oak, Black Water Based Lacquered Oak, Water based Lacquered Walnut	Black (standard), Brass (on request)

Material: Steel tubes and formpressed veneer.

Plastic gliders installed as standard.
Felt gliders available upon request.



Pavilion AV6 Anderssen & Voll 2018



Fabric gr.	Seat Upholstery	Variant	Lead time	Weight	PRICE EX. STATE TAX
Fabric gr. 1	Grain, Hot Madison, Remix, Re-Wool	Black Oak or Oak	6-8 weeks	6.50 kg	1.240
		Walnut	6-8 weeks	6.50 kg	1.305
Fabric gr. 2	Barnum, Canvas, Fiord	Black Oak or Oak	6-8 weeks	6.50 kg	1.375
		Walnut	6-8 weeks	6.50 kg	1.440
Fabric gr. 3	Hallingdal, Mylla, Steelcut Quartet, Steelcut Trio	Black Oak or Oak	6-8 weeks	6.50 kg	1.385
		Walnut	6-8 weeks	6.50 kg	1.450
Fabric gr. 4	Acca, Beda, Cifrado, Ecriture, Vidar	Black Oak or Oak	6-8 weeks	6.50 kg	1.420
		Walnut	6-8 weeks	6.50 kg	1.465
Fabric gr. 5	Gentle, Karakorum, Sisu, Zade*	Black Oak or Oak	6-8 weeks	6.50 kg	1.510
		Walnut	6-8 weeks	6.50 kg	1.555
Fabric gr. 6	Fuse	Black Oak or Oak	6-8 weeks	6.50 kg	1.665
		Walnut	6-8 weeks	6.50 kg	1.710
Leather	Tailor Semi-aniline leather	Black Oak or Oak	6-8 weeks	6.50 kg	1.465
		Walnut	6-8 weeks	6.50 kg	1.510
Leather	Noble Aniline leather	Black Oak or Oak	6-8 weeks	6.50 kg	1.510
		Walnut	6-8 weeks	6.50 kg	1.555
Leather	Elmosoft Semi-aniline leather	Black Oak or Oak	6-8 weeks	6.50 kg	1.575
		Walnut	6-8 weeks	6.50 kg	1.620
COM	Fabric	Black Oak or Oak	6-8 weeks	6.50 kg	1.240
		Walnut	6-8 weeks	6.50 kg	1.305

Product no.	Product	Variant	Lead time	PRICE EX. STATE TAX
145303	Plastic gliders for Pavilion w. tube base, 4 pcs	Black	Stock item	30
145304	Felt gliders for Pavilion w. tube base, 4 pcs	Black	Stock item	30

* Please be aware that patterns may not align at seams or edges



EU Ecolabel certified, validating high standards of durability, circular design, and responsible use of chemicals. Please contact our sales team for a list of EU Ecolabel compliant combinations.

EU Ecolabel : DK/049/002

Frame	Back	Back rest fittings
Black	Water based Lacquered Oak, Black Water Based Lacquered Oak, Water based Lacquered Walnut	Black (standard), Brass (on request)

Material: Steel tubes, formpressed veneer, HR foam, fabric or leather upholstery.

Fabric usage: 0.73 meters based on 140cm roll

Leather usage: 0.5 square meters based on a yield of 60% pr hide.

COM must be approved by &Tradition to ensure suitability for upholstery.

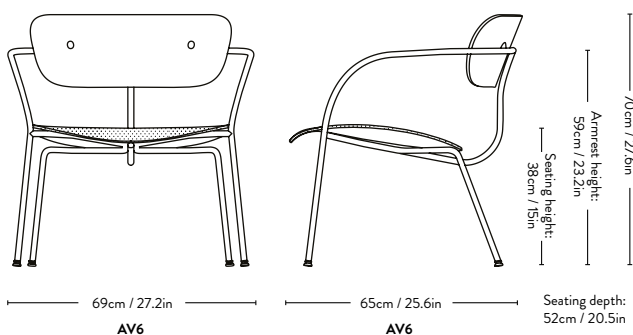
Plastic gliders installed as standard.

Felt gliders available upon request.



Made using FSC® certified wood, supporting responsible environmental, social and economical management of the world's forests. Visit www.fsc.org

The mark of responsible forestry



Pavilion AV11 Anderssen & Voll 2019



Fabric gr.	Upholstery	Lead time	Weight	PRICE EX. STATE TAX
Fabric gr. 1	Grain, Hot Madison, Remix, Re-Wool	6-8 weeks	6.50 kg	1.420
Fabric gr. 2	Barnum, Canvas, Fiord	6-8 weeks	6.50 kg	1.555
Fabric gr. 3	Hallingdal, Mylla, Steelcut Quartet, Steelcut Trio	6-8 weeks	6.50 kg	1.575
Fabric gr. 4	Acca, Beda, Cifrado, Ecriture, Vidar	6-8 weeks	6.50 kg	1.600
Fabric gr. 5	Gentle, Karakorum, Sisu, Zade*	6-8 weeks	6.50 kg	1.690
Fabric gr. 6	Fuse	6-8 weeks	6.50 kg	1.845
COM	Fabric	6-8 weeks	6.50 kg	1.420

Product no.	Product	Variant	Lead time	PRICE EX. STATE TAX
145303	Plastic gliders for Pavilion w. tube base, 4 pcs	Black	Stock item	30
145304	Felt gliders for Pavilion w. tube base, 4 pcs	Black	Stock item	30

* Please be aware that patterns may not align at seams or edges



EU Ecolabel certified, validating high standards of durability, circular design, and responsible use of chemicals. Please contact our sales team for a list of EU Ecolabel compliant combinations.



Made using FSC® certified wood, supporting responsible environmental, social and economical management of the world's forests. Visit www.fsc.org

Frame	Back	Seat
Black	Upholstered	Upholstered

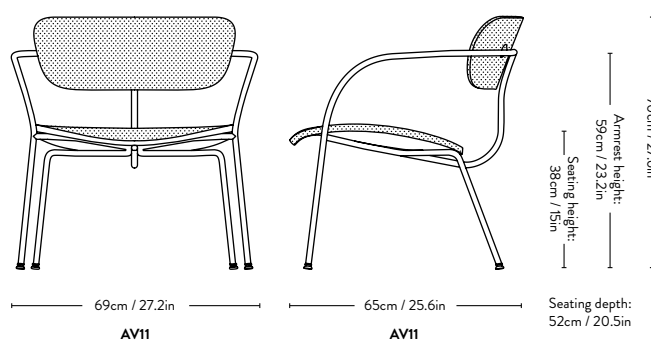
Material: Steel tubes, formpressed veneer, HR foam, fabric or leather upholstery.

Fabric usage: 1 meter based on a 140cm roll.

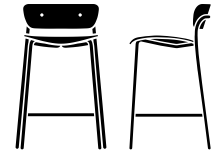
COM must be approved by &Tradition to ensure suitability for upholstery.

Pavilion AV11 is not available in leather.

Plastic gliders installed as standard.
Felt gliders available upon request.



Pavilion ^{AV7} Anderssen & Voll 2018



Product no.	Variant	Colli qty.	Lead time	Weight	PRICE EX. STATE TAX
133873A251	Black Oak	1 pc	Stock item	5.00 kg	765
133873A249	Oak	1 pc	Stock item	5.00 kg	765
133873A247	Walnut	1 pc	Stock item	5.00 kg	790

Product no.	Product	Variant	Lead time	PRICE EX. STATE TAX
145303	Plastic gliders for Pavilion w. tube base, 4 pcs	Black	Stock item	30
145304	Felt gliders for Pavilion w. tube base, 4 pcs	Black	Stock item	30



EU Ecolabel certified, validating high standards of durability, circular design, and responsible use of chemicals. Please contact our sales team for a list of EU Ecolabel compliant combinations.

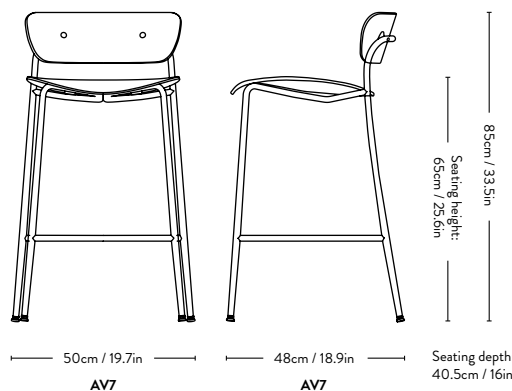


Made using FSC® certified wood, supporting responsible environmental, social and economical management of the world's forests. Visit www.fsc.org

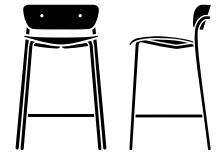
Frame	Seat & back	Back rest fittings
Black	Water based Lacquered Oak, Black Water Based Lacquered Oak, Water based Lacquered Walnut	Black (standard), Brass (on request)

Material: Steel tubes, formpressed veneer

Plastic gliders installed as standard.
Felt gliders available upon request.



Pavilion AV8 Anderssen & Voll 2018



Fabric gr.	Seat Upholstery	Variant	Lead time	Weight	PRICE EX. STATE TAX
Fabric gr. 1	Grain, Hot Madison, Remix, Re-Wool	Black Oak or Oak	6-8 weeks	5.00 kg	925
		Walnut	6-8 weeks	5.00 kg	945
Fabric gr. 2	Barnum, Canvas, Fiord	Black Oak or Oak	6-8 weeks	5.00 kg	1.035
		Walnut	6-8 weeks	5.00 kg	1.060
Fabric gr. 3	Hallingdal, Mylla, Steelcut Quartet, Steelcut Trio	Black Oak or Oak	6-8 weeks	5.00 kg	1.045
		Walnut	6-8 weeks	5.00 kg	1.070
Fabric gr. 4	Acca, Beda, Cifrado, Ecriture, Vidar	Black Oak or Oak	6-8 weeks	5.00 kg	1.060
		Walnut	6-8 weeks	5.00 kg	1.080
Fabric gr. 5	Gentle, Karakorum, Sisu, Zade*	Black Oak or Oak	6-8 weeks	5.00 kg	1.150
		Walnut	6-8 weeks	5.00 kg	1.170
Fabric gr. 6	Fuse	Black Oak or Oak	6-8 weeks	5.00 kg	1.260
		Walnut	6-8 weeks	5.00 kg	1.285
Leather	Tailor Semi-aniline leather	Black Oak or Oak	6-8 weeks	5.00 kg	1.105
		Walnut	6-8 weeks	5.00 kg	1.125
Leather	Noble Aniline leather	Black Oak or Oak	6-8 weeks	5.00 kg	1.150
		Walnut	6-8 weeks	5.00 kg	1.170
Leather	Elmosoft Semi-aniline leather	Black Oak or Oak	6-8 weeks	5.00 kg	1.215
		Walnut	6-8 weeks	5.00 kg	1.240
COM	Fabric	Black Oak or Oak	6-8 weeks	5.00 kg	925
		Walnut	6-8 weeks	5.00 kg	945

Product no.	Product	Variant	Lead time	PRICE EX. STATE TAX
145303	Plastic gliders for Pavilion w. tube base, 4 pcs	Black	Stock item	30
145304	Felt gliders for Pavilion w. tube base, 4 pcs	Black	Stock item	30

* Please be aware that patterns may not align at seams or edges



EU Ecolabel certified, validating high standards of durability, circular design, and responsible use of chemicals. Please contact our sales team for a list of EU Ecolabel compliant combinations.

EU Ecolabel : DK/049/002



Made using FSC® certified wood, supporting responsible environmental, social and economical management of the world's forests. Visit www.fsc.org

The mark of responsible forestry

Frame	Back	Back rest fittings
Black	Water based Lacquered Oak, Black Water Based Lacquered Oak, Water based Lacquered Walnut	Black (standard), Brass (on request)

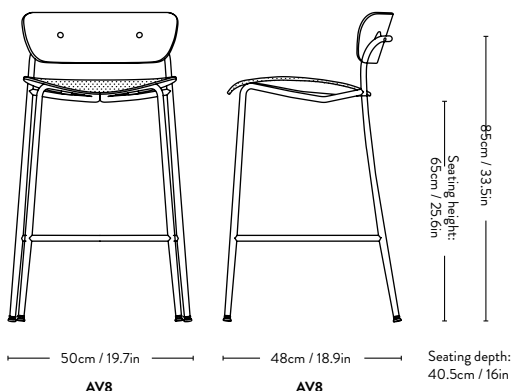
Material: Steel tubes, formpressed veneer, HR foam, fabric or leather upholstery.

Fabric usage: 0.45 meters based on 140cm roll.

Leather usage: 0.55 square meters based on a yield of 60% pr hide.

COM must be approved by &Tradition to ensure suitability for upholstery.

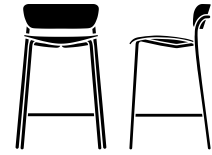
Plastic gliders installed as standard.
Felt gliders available upon request.



Pavilion AV14

Anderssen & Voll

2019



Fabric gr.	Upholstery	Lead time	Weight	PRICE EX. STATE TAX
Fabric gr. 1	Grain, Hot Madison, Remix, Re-Wool	6-8 weeks	5.00 kg	1.105
Fabric gr. 2	Barnum, Canvas, Fiord	6-8 weeks	5.00 kg	1.330
Fabric gr. 3	Hallingdal, Mylla, Steelcut Quartet, Steelcut Trio	6-8 weeks	5.00 kg	1.350
Fabric gr. 4	Acca, Beda, Cifrado, Ecriture, Vidar	6-8 weeks	5.00 kg	1.375
Fabric gr. 5	Gentle, Karakorum, Sisu, Zade*	6-8 weeks	5.00 kg	1.555
Fabric gr. 6	Fuse	6-8 weeks	5.00 kg	1.710
COM	Fabric	6-8 weeks	5.00 kg	1.105

Product no.	Product	Variant	Lead time	PRICE EX. STATE TAX
145303	Plastic gliders for Pavilion w. tube base, 4 pcs	Black	Stock item	30
145304	Felt gliders for Pavilion w. tube base, 4 pcs	Black	Stock item	30

* Please be aware that patterns may not align at seams or edges



EU Ecolabel certified, validating high standards of durability, circular design, and responsible use of chemicals. Please contact our sales team for a list of EU Ecolabel compliant combinations.



Made using FSC® certified wood, supporting responsible environmental, social and economical management of the world's forests. Visit www.fsc.org

Frame	Back	Seat
Black	Upholstered	Upholstered

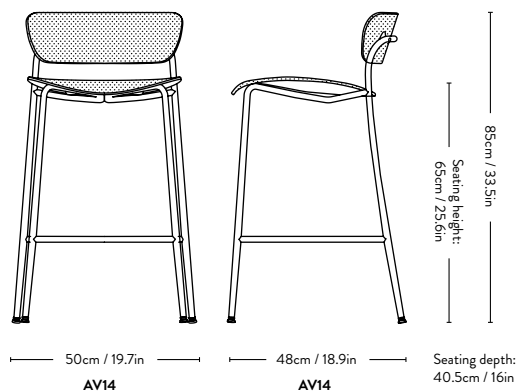
Material: Steel tubes, formpressed veneer, HR foam, fabric or leather upholstery.

Fabric usage: 0.8 meter based on a 140cm roll.

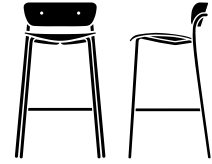
COM must be approved by &Tradition to ensure suitability for upholstery.

Pavilion AV14 is not available in leather.

Plastic gliders installed as standard.
Felt gliders available upon request.



Pavilion ^{AV9} Anderssen & Voll 2018



Product no.	Variant	Colli qty.	Lead time	Weight	PRICE EX. STATE TAX
133881A251	Black Oak	1 pc	Stock item	5.00 kg	790
133881A249	Oak	1 pc	Stock item	5.00 kg	790
133881A247	Walnut	1 pc	Stock item	5.00 kg	810

Product no.	Product	Variant	Lead time	PRICE EX. STATE TAX
145303	Plastic gliders for Pavilion w. tube base, 4 pcs	Black	Stock item	30
145304	Felt gliders for Pavilion w. tube base, 4 pcs	Black	Stock item	30

* Please be aware that patterns may not align at seams or edges



EU Ecolabel certified, validating high standards of durability, circular design, and responsible use of chemicals. Please contact our sales team for a list of EU Ecolabel compliant combinations.

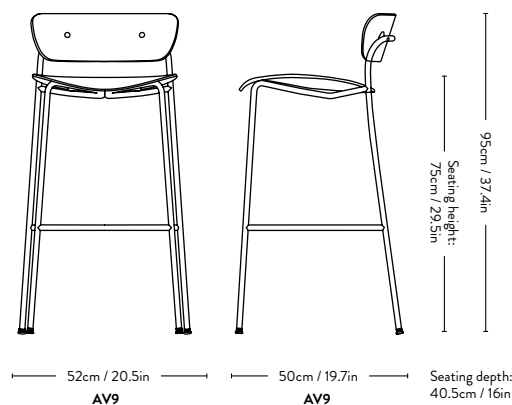


Made using FSC® certified wood, supporting responsible environmental, social and economical management of the world's forests. Visit www.fsc.org

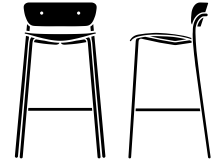
Frame	Seat & back	Back rest fittings
Black	Water based Lacquered Oak, Black Water Based Lacquered Oak, Water based Lacquered Walnut	Black (standard), Brass (on request)

Material: Steel tubes, formpressed veneer

Plastic gliders installed as standard.
Felt gliders available upon request.



Pavilion AV10 Anderssen & Voll 2018



Fabric gr.	Seat Upholstery	Variant	Lead time	Weight	PRICE EX. STATE TAX
Fabric gr. 1	Grain, Hot Madison, Remix, Re-Wool	Black Oak or Oak	6-8 weeks	5.30 kg	945
		Walnut	6-8 weeks	5.30 kg	970
Fabric gr. 2	Barnum, Canvas, Fiord	Black Oak or Oak	6-8 weeks	5.30 kg	1.060
		Walnut	6-8 weeks	5.30 kg	1.080
Fabric gr. 3	Hallingdal, Mylla, Steelcut Quartet, Steelcut Trio	Black Oak or Oak	6-8 weeks	5.30 kg	1.070
		Walnut	6-8 weeks	5.30 kg	1.090
Fabric gr. 4	Acca, Beda, Cifrado, Ecriture, Vidar	Black Oak or Oak	6-8 weeks	5.30 kg	1.080
		Walnut	6-8 weeks	5.30 kg	1.105
Fabric gr. 5	Gentle, Karakorum, Sisu, Zade*	Black Oak or Oak	6-8 weeks	5.30 kg	1.170
		Walnut	6-8 weeks	5.30 kg	1.195
Fabric gr. 6	Fuse	Black Oak or Oak	6-8 weeks	5.30 kg	1.285
		Walnut	6-8 weeks	5.30 kg	1.305
Leather	Tailor Semi-aniline leather	Black Oak or Oak	6-8 weeks	5.30 kg	1.125
		Walnut	6-8 weeks	5.30 kg	1.150
Leather	Noble Aniline leather	Black Oak or Oak	6-8 weeks	5.30 kg	1.170
		Walnut	6-8 weeks	5.30 kg	1.195
Leather	Elmosoft Semi-aniline leather	Black Oak or Oak	6-8 weeks	5.30 kg	1.240
		Walnut	6-8 weeks	5.30 kg	1.260
COM	Fabric	Black Oak or Oak	6-8 weeks	5.30 kg	945
		Walnut	6-8 weeks	5.30 kg	970

Product no.	Product	Variant	Lead time	PRICE EX. STATE TAX
145303	Plastic gliders for Pavilion w. tube base, 4 pcs	Black	Stock item	30
145304	Felt gliders for Pavilion w. tube base, 4 pcs	Black	Stock item	30

* Please be aware that patterns may not align at seams or edges



EU Ecolabel certified, validating high standards of durability, circular design, and responsible use of chemicals. Please contact our sales team for a list of EU Ecolabel compliant combinations.

EU Ecolabel: DK/049/002

Frame	Back	Back rest fittings
Black	Water based Lacquered Oak, Black Water Based Lacquered Oak, Water based Lacquered Walnut	Black (standard), Brass (on request)

Material: Steel tubes, formpressed veneer, HR foam, fabric or leather upholstery.

Fabric usage: 0.45 meters based on 140cm roll.

Leather usage: 0.55 square meters based on a yield of 60% pr hide.

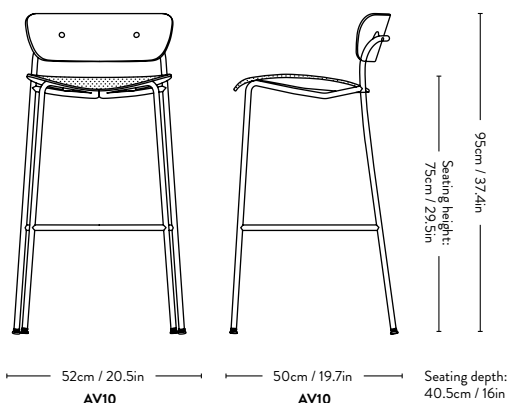
COM must be approved by &Tradition to ensure suitability for upholstery.

Plastic gliders installed as standard.

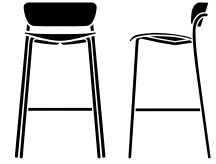
Felt gliders available upon request.



Made using FSC® certified wood, supporting responsible environmental, social and economical management of the world's forests. Visit www.fsc.org



Pavilion ^{AV15} Anderssen & Voll 2019



Fabric gr.	Upholstery	Lead time	Weight	PRICE EX. STATE TAX
Fabric gr. 1	Grain, Hot Madison, Remix, Re-Wool	6-8 weeks	5.30 kg	1.125
Fabric gr. 2	Barnum, Canvas, Fiord	6-8 weeks	5.30 kg	1.350
Fabric gr. 3	Hallingdal, Mylla, Steelcut Quartet, Steelcut Trio	6-8 weeks	5.30 kg	1.375
Fabric gr. 4	Acca, Beda, Cifrado, Ecriture, Vidar	6-8 weeks	5.30 kg	1.395
Fabric gr. 5	Gentle, Karakorum, Sisu, Zade*	6-8 weeks	5.30 kg	1.575
Fabric gr. 6	Fuse	6-8 weeks	5.30 kg	1.735
COM	Fabric	6-8 weeks	5.30 kg	1.125

Product no.	Product	Variant	Lead time	PRICE EX. STATE TAX
145303	Plastic gliders for Pavilion w. tube base, 4 pcs	Black	Stock item	30
145304	Felt gliders for Pavilion w. tube base, 4 pcs	Black	Stock item	30

* Please be aware that patterns may not align at seams or edges



EU Ecolabel certified, validating high standards of durability, circular design, and responsible use of chemicals. Please contact our sales team for a list of EU Ecolabel compliant combinations.



Made using FSC® certified wood, supporting responsible environmental, social and economical management of the world's forests. Visit www.fsc.org

Frame	Back	Seat
Black	Upholstered	Upholstered

Material: Steel tubes, formpressed veneer, HR foam, fabric upholstery.

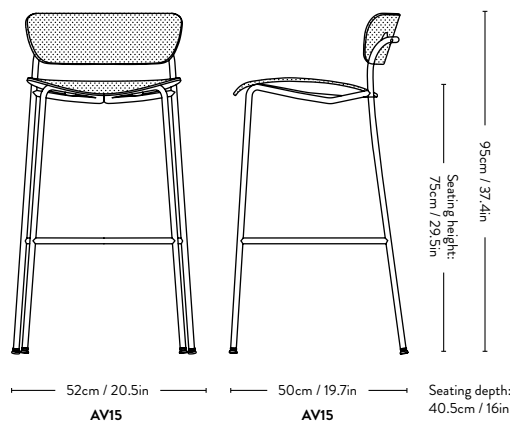
Fabric usage: 0.8 meter based on a 140cm roll.

COM must be approved by &Tradition to ensure suitability for upholstery.

Pavilion AV15 is not available in leather.

Plastic gliders installed as standard.

Felt gliders available upon request.



Pavilion AV36, AV37 & AV38 Anderssen & Voll 2025



Product no.	Variant	Product code	Base	Colli qty.	Lead time	Weight	PRICE EX. STATE TAX
139861A249	Oak	AV36	Black	1 pc	Stock item	2.80 kg	450
139861A251	Black Oak	AV36	Black	1 pc	Stock item	2.80 kg	450
139861A247	Walnut	AV36	Black	1 pc	Stock item	2.80 kg	450
139863A249	Oak	AV37	Black	1 pc	Stock item	3.50 kg	630
139863A251	Black Oak	AV37	Black	1 pc	Stock item	3.50 kg	630
139863A247	Walnut	AV37	Black	1 pc	Stock item	3.50 kg	630
139865A249	Oak	AV38	Black	1 pc	Stock item	4.00 kg	675
139865A251	Black Oak	AV38	Black	1 pc	Stock item	4.00 kg	675
139865A247	Walnut	AV38	Black	1 pc	Stock item	4.00 kg	675

Product no.	Product	Variant	Lead time	PRICE EX. STATE TAX
145303	Plastic gliders for Pavilion w. tube base, 4 pcs	Black	Stock item	30
145304	Felt gliders for Pavilion w. tube base, 4 pcs	Black	Stock item	30



Made using FSC® certified wood, supporting responsible environmental, social and economical management of the world's forests. Visit www.fsc.org

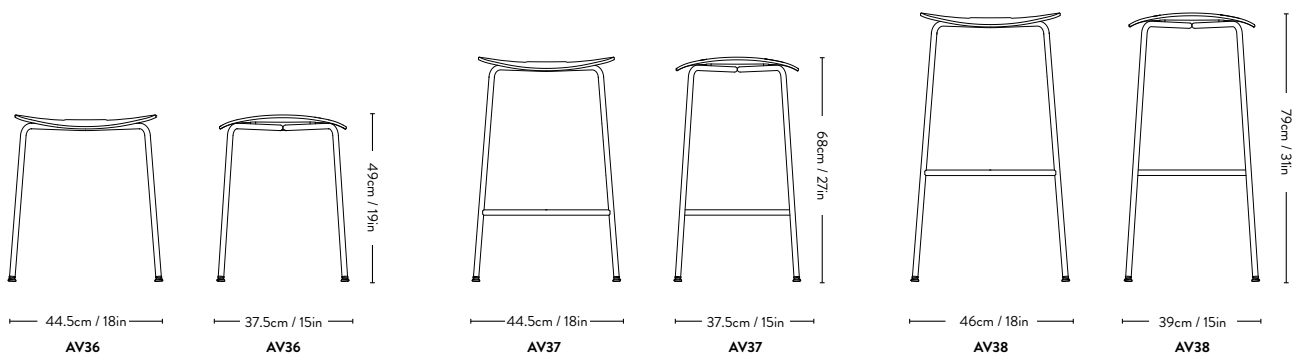
Frame Seat & back

Black Water Based Lacquered Oak, Black Water Based Lacquered Oak, Water Based Lacquered Walnut

Material: Steel tubes and formpressed veneer.

Plastic gliders installed as standard.
Felt gliders available upon request (6-8 weeks lead time).

AV36, Stackable chair: 10 pcs



Rely^{HW6} Hee Welling 2020



Shell Variant	Base	Colli qty.	Lead time	Weight	PRICE EX. STATE TAX
Black	Black, Bronzed, Chrome	1 pc (4 pcs)	2-3 weeks	5.20 kg	430 405
White	Black, Bronzed, Chrome	1 pc (4 pcs)	2-3 weeks	5.20 kg	430 405
Beige Sand	Black, Bronzed, Chrome	1 pc (4 pcs)	2-3 weeks	5.20 kg	430 405
Red Brown	Black, Bronzed, Chrome	1 pc (4 pcs)	2-3 weeks	5.20 kg	430 405
Light Blue	Black, Bronzed, Chrome	1 pc (4 pcs)	2-3 weeks	5.20 kg	430 405
Stone Grey	Black, Bronzed, Chrome	1 pc (4 pcs)	2-3 weeks	5.20 kg	430 405
Vermilion Red*	Black, Bronzed, Chrome	1 pc (4 pcs)	2-3 weeks	5.20 kg	430 405
Bronze Green	Black, Bronzed, Chrome	1 pc (4 pcs)	2-3 weeks	5.20 kg	430 405
Soft Pink*	Black, Bronzed, Chrome	1 pc (4 pcs)	2-3 weeks	5.20 kg	430 405

Product no.	Product	Variant	Lead time	PRICE EX. STATE TAX
145307	Plastic gliders for Drawn, Elefy w. wood base, Rely w. tube (ex. stacking) & wood base, Muno, and Meantime Lounge Chairs, 4 pcs	Black	Stock item	20
145308	Felt gliders for Drawn, Elefy w. wood base, Rely w. tube (ex. stacking) & wood base, Muno, and Meantime Lounge Chairs, 4 pcs	Black	Stock item	20

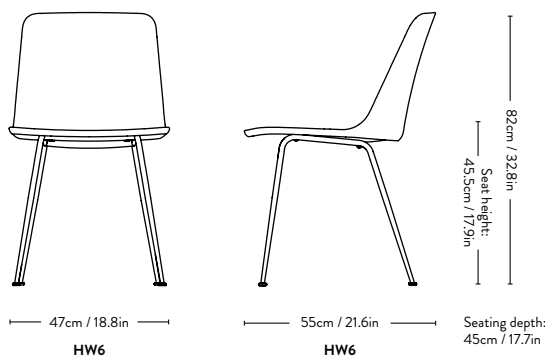


EU Ecolabel certified, validating high standards of durability, circular design, and responsible use of chemicals. Please contact our sales team for a list of EU Ecolabel compliant combinations.

Material: Shell made from 100% recycled polypropylene with fiber glass and a steel tube base.

*Available while stock lasts

Plastic gliders installed as standard.
Felt gliders available upon request.



Rely ^{HW7} Hee Welling 2020



Fabric gr.	Shell	Seat Cushion Upholstery	Base	Lead time	Weight	PRICE EX. STATE TAX
Fabric gr. 1	Plastic	Grain, Hot Madison, Remix, Re-Wool	Black, Bronzed, Chrome	4-6 weeks	6.50 kg	675
Fabric gr. 2	Plastic	Barnum, Canvas, Fiord	Black, Bronzed, Chrome	4-6 weeks	6.50 kg	745
Fabric gr. 3	Plastic	Hallingdal, Mylla, Steelcut Quartet, Steelcut Trio	Black, Bronzed, Chrome	4-6 weeks	6.50 kg	765
Fabric gr. 4	Plastic	Acca, Beda, Cifrado, Ecriture, Vidar	Black, Bronzed, Chrome	4-6 weeks	6.50 kg	835
Fabric gr. 5	Plastic	Gentle, Karakorum, Sisu	Black, Bronzed, Chrome	4-6 weeks	6.50 kg	925
Fabric gr. 6	Plastic	Fuse	Black, Bronzed, Chrome	4-6 weeks	6.50 kg	1.015
Leather	Plastic	Tailor Semi-aniline leather	Black, Bronzed, Chrome	4-6 weeks	6.50 kg	765
Leather	Plastic	Noble Aniline leather	Black, Bronzed, Chrome	4-6 weeks	6.50 kg	835
Leather	Plastic	Elmosoft Semi-aniline leather	Black, Bronzed, Chrome	4-6 weeks	6.50 kg	900
COM	Plastic	Fabric	Black, Bronzed, Chrome	4-6 weeks	6.50 kg	675

Product no.	Product	Variant	Lead time	PRICE EX. STATE TAX
145307	Plastic gliders for Drawn, Elefy w. wood base, Rely w. tube (ex. stacking) & wood base, Munro, and Meantime Lounge Chairs, 4 pcs	Black	Stock item	20
145308	Felt gliders for Drawn, Elefy w. wood base, Rely w. tube (ex. stacking) & wood base, Munro, and Meantime Lounge Chairs, 4 pcs	Black	Stock item	20



EU Ecolabel certified, validating high standards of durability, circular design, and responsible use of chemicals. Please contact our sales team for a list of EU Ecolabel compliant combinations.



Made using FSC® certified wood, supporting responsible environmental, social and economical management of the world's forests. Visit www.fsc.org

Plastic shell variants

Black, White, Beige Sand, Red Brown, Light Blue, Stone Grey, Vermilion Red*, Bronze Green, Soft Pink*

Material: Shell made from 100% recycled polypropylene with fiber glass, HR foam seat covered with fabric or leather upholstery, steel tube base.

*Available while stock lasts

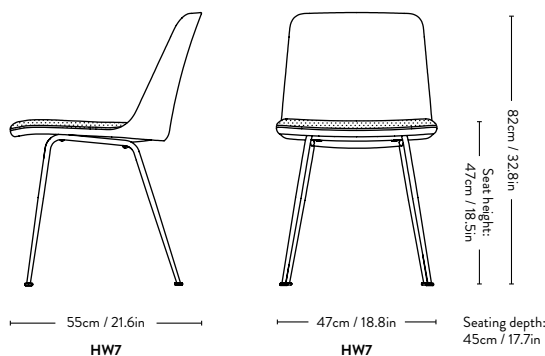
Fabric usage: 0.8 meter based on a 140 cm roll.

Leather usage: 1 square meter based on a yield of 60% pr hide.

COM must be approved by &Tradition to ensure suitability for upholstery.

Plastic gliders installed as standard.

Felt gliders available upon request.



Rely ^{HW8} Hee Welling 2020



Fabric gr.	Upholstery	Base	Lead time	Weight	PRICE EX. STATE TAX
Fabric gr. 1	Grain, Hot Madison, Remix, Re-Wool	Black, Bronzed, Chrome	4-6 weeks	5.70 kg	855
Fabric gr. 2	Barnum, Canvas, Fiord	Black, Bronzed, Chrome	4-6 weeks	5.70 kg	990
Fabric gr. 3	Hallingdal, Mylla, Steelcut Quartet, Steelcut Trio	Black, Bronzed, Chrome	4-6 weeks	5.70 kg	1.035
Fabric gr. 4	Acca, Beda, Cifrado, Ecriture, Vidar	Black, Bronzed, Chrome	3-6 weeks	5.70 kg	1.150
Fabric gr. 5	Gentle, Karakorum, Sisu	Black, Bronzed, Chrome	3-6 weeks	5.70 kg	1.420
Fabric gr. 6	Fuse	Black, Bronzed, Chrome	3-6 weeks	5.70 kg	1.555
Leather	Tailor Semi-aniline leather	Black, Bronzed, Chrome	3-6 weeks	5.70 kg	1.215
Leather	Noble Aniline leather	Black, Bronzed, Chrome	3-6 weeks	5.70 kg	1.285
Leather	Elmosoft Semi-aniline leather	Black, Bronzed, Chrome	3-6 weeks	5.70 kg	1.395
COM	Fabric	Black, Bronzed, Chrome	3-6 weeks	5.70 kg	855

Product no.	Product	Variant	Colli qty.	Lead time	PRICE EX. STATE TAX
145307	Plastic gliders for Drawn, Elefy w. wood base, Rely w. tube (ex. stacking) & wood base, Muno, and Meantime Lounge Chairs, 4 pcs		Black	Stock item	20
145308	Felt gliders for Drawn, Elefy w. wood base, Rely w. tube (ex. stacking) & wood base, Muno, and Meantime Lounge Chairs, 4 pcs		Black	Stock item	20



EU Ecolabel certified, validating high standards of durability, circular design, and responsible use of chemicals. Please contact our sales team for a list of EU Ecolabel compliant combinations.

Material: Shell made from 100% recycled polypropylene with fiber glass, covered with HR foam with fabric or leather upholstery, steel tube base.

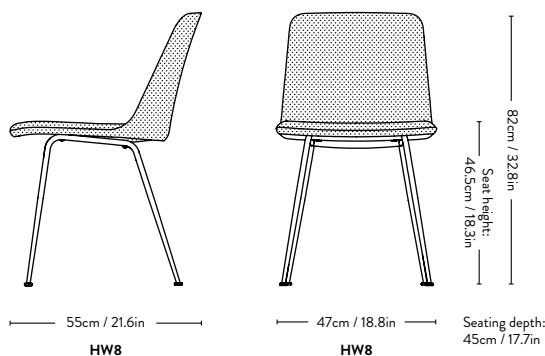
Fabric usage: 1.7 meters based on a 140cm roll.

Leather usage: 1.7 square meters based on a yield of 60% pr hide.

COM must be approved by &Tradition to ensure suitability for upholstery.

Plastic gliders installed as standard.

Felt gliders available upon request.



Rely ^{HW9} Hee Welling 2020



Fabric gr.	Upholstery	Base	Lead time	Weight	PRICE EX. STATE TAX
Fabric gr. 1	Grain, Hot Madison, Remix, Re-Wool	Black, Bronzed, Chrome	4-6 weeks	6.80 kg	900
Fabric gr. 2	Barnum, Canvas, Fiord	Black, Bronzed, Chrome	4-6 weeks	6.80 kg	1.035
Fabric gr. 3	Hallingdal, Mylla, Steelcut Quartet, Steelcut Trio	Black, Bronzed, Chrome	4-6 weeks	6.80 kg	1.080
Fabric gr. 4	Acca, Beda, Cifrado, Ecriture, Vidar	Black, Bronzed, Chrome	4-6 weeks	6.80 kg	1.195
Fabric gr. 5	Gentle, Karakorum, Sisu	Black, Bronzed, Chrome	4-6 weeks	6.80 kg	1.465
Fabric gr. 6	Fuse	Black, Bronzed, Chrome	4-6 weeks	6.80 kg	1.600
Leather	Tailor Semi-aniline leather	Black, Bronzed, Chrome	4-6 weeks	6.80 kg	1.260
Leather	Noble Aniline leather	Black, Bronzed, Chrome	4-6 weeks	6.80 kg	1.330
Leather	Elmosoft Semi-aniline leather	Black, Bronzed, Chrome	4-6 weeks	6.80 kg	1.465
COM	Fabric	Black, Bronzed, Chrome	4-6 weeks	6.80 kg	900

Product no.	Product	Variant	Colli qty.	Lead time	PRICE EX. STATE TAX
145307	Plastic gliders for Drawn, Elefy w. wood base, Rely w. tube (ex. stacking) & wood base, Muno, and Meantime Lounge Chairs, 4 pcs		Black	Stock item	20
145308	Felt gliders for Drawn, Elefy w. wood base, Rely w. tube (ex. stacking) & wood base, Muno, and Meantime Lounge Chairs, 4 pcs		Black	Stock item	20



EU Ecolabel certified, validating high standards of durability, circular design, and responsible use of chemicals. Please contact our sales team for a list of EU Ecolabel compliant combinations.



Made using FSC® certified wood, supporting responsible environmental, social and economical management of the world's forests. Visit www.fsc.org

Material: Shell made from 100% recycled polypropylene with fiber glass, covered with HR foam with fabric or leather upholstery, steel tube base.

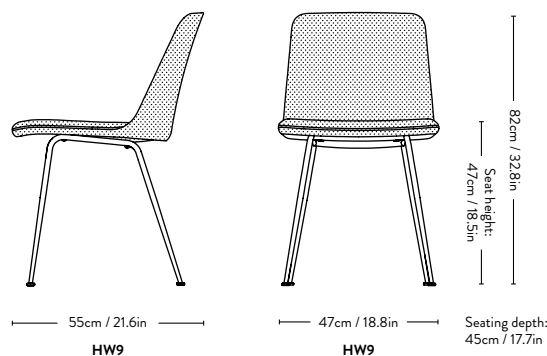
Fabric usage: 1.4 meters based on a 140cm roll.

Leather usage: 1.7 square meters based on a yield of 60% pr hide.

COM must be approved by &Tradition to ensure suitability for upholstery.

Plastic gliders installed as standard.

Felt gliders available upon request.



Rely^{HW10} Hee Welling 2020



Please note that price is accumulated price of shell & seat.

Fabric gr.	Upholstery	Base	Lead time	Weight	PRICE EX. STATE TAX
Fabric gr. 1	Grain, Hot Madison, Remix, Re-Wool	Black, Bronzed, Chrome	4-6 weeks	6.80 kg	675
Fabric gr. 2	Barnum, Canvas, Fiord	Black, Bronzed, Chrome	4-6 weeks	6.80 kg	740
Fabric gr. 3	Hallingdal, Mylla, Steelcut Quartet, Steelcut Trio	Black, Bronzed, Chrome	4-6 weeks	6.80 kg	765
Fabric gr. 4	Acca, Beda, Cifrado, Ecriture, Vidar	Black, Bronzed, Chrome	4-6 weeks	6.80 kg	810
Fabric gr. 5	Gentle, Karakorum, Sisu	Black, Bronzed, Chrome	4-6 weeks	6.80 kg	990
Fabric gr. 6	Fuse	Black, Bronzed, Chrome	4-6 weeks	6.80 kg	1080
Leather	Tailor Semi-aniline leather	Black, Bronzed, Chrome	4-6 weeks	6.80 kg	900
Leather	Noble Aniline leather	Black, Bronzed, Chrome	4-6 weeks	6.80 kg	945
Leather	Elmosoft Semi-aniline leather	Black, Bronzed, Chrome	4-6 weeks	6.80 kg	990
COM	Fabric	Black, Bronzed, Chrome	4-6 weeks	6.80 kg	675

Fabric gr.	Seat Upholstery	Lead time	PRICE EX. STATE TAX
Fabric gr. 1	Grain, Hot Madison, Remix, Re-Wool	4-6 weeks	225
Fabric gr. 2	Barnum, Canvas, Fiord	4-6 weeks	295
Fabric gr. 3	Hallingdal, Mylla, Steelcut Quartet, Steelcut Trio	4-6 weeks	315
Fabric gr. 4	Acca, Beda, Cifrado, Ecriture, Vidar	4-6 weeks	385
Fabric gr. 5	Gentle, Karakorum, Sisu	4-6 weeks	475
Fabric gr. 6	Fuse	4-6 weeks	520
Leather	Tailor Semi-aniline leather	4-6 weeks	360
Leather	Noble Aniline leather	4-6 weeks	385
Leather	Elmosoft Semi-aniline leather	4-6 weeks	475
COM	Fabric	4-6 weeks	225

Rely ^{HW10} Hee Welling 2020



Product no.	Product	Variant	Colli qty.	Lead time	PRICE EX. STATE TAX
145307	Plastic gliders for Drawn, Elefy w. wood base, Rely w. tube (ex. stacking) & wood base, Muno, and Meantime Lounge Chairs, 4 pcs		Black	Stock item	20
145308	Felt gliders for Drawn, Elefy w. wood base, Rely w. tube (ex. stacking) & wood base, Muno, and Meantime Lounge Chairs, 4 pcs		Black	Stock item	20



EU Ecolabel certified, validating high standards of durability, circular design, and responsible use of chemicals. Please contact our sales team for a list of EU Ecolabel compliant combinations.



Made using FSC® certified wood, supporting responsible environmental, social and economical management of the world's forests. Visit www.fsc.org

Material: Shell made from 100% recycled polypropylene with fiber glass, covered with HR foam with fabric or leather upholstery, steel tube base.

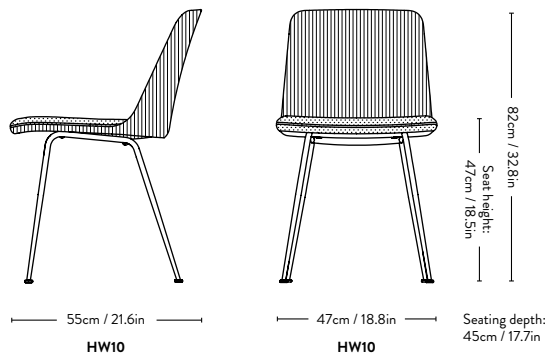
Fabric usage: 1.9 meter (Shell: 1.2 meters / Seat: 0.7 meter) based on a 140 cm roll.

Leather usage: 2.5 square meters (Shell: 1.7 sqm / Seat: 0.8 sqm) based on a yield of 60% pr hide.

COM must be approved by &Tradition to ensure suitability for upholstery.

Plastic gliders installed as standard.
Felt gliders available upon request.

Minimum order quantity of same variant: 4 pcs.



Rely ^{HW11} Hee Welling 2020

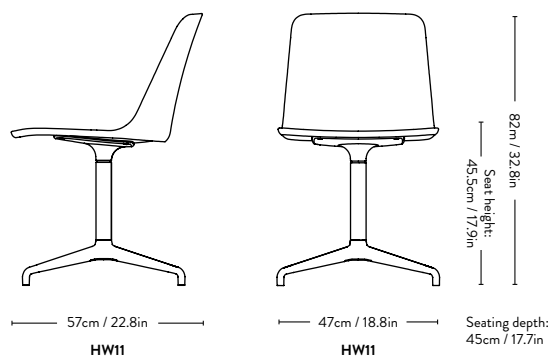


Shell Variant	Base	Lead time	Weight	PRICE EX. STATE TAX
Black	Black, Bronzed, Polished Aluminium	2-3 weeks	7.80 kg	585
White	Black, Bronzed, Polished Aluminium	2-3 weeks	7.80 kg	585
Beige Sand	Black, Bronzed, Polished Aluminium	2-3 weeks	7.80 kg	585
Red Brown	Black, Bronzed, Polished Aluminium	2-3 weeks	7.80 kg	585
Light Blue	Black, Bronzed, Polished Aluminium	2-3 weeks	7.80 kg	585
Stone Grey	Black, Bronzed, Polished Aluminium	2-3 weeks	7.80 kg	585
Vermilion Red*	Black, Bronzed, Polished Aluminium	2-3 weeks	7.80 kg	585
Bronze Green	Black, Bronzed, Polished Aluminium	2-3 weeks	7.80 kg	585
Soft Pink*	Black, Bronzed, Polished Aluminium	2-3 weeks	7.80 kg	585

Material: Shell made from 100% recycled polypropylene with fiber glass and an aluminium swivel base.

*Available while stock lasts

Plastic gliders installed as standard.
Felt gliders available upon request.



Rely^{HW12} Hee Welling 2020



Fabric gr.	Shell	Seat Cushion Upholstery	Base	Lead time	Weight	PRICE EX. STATE TAX
Fabric gr. 1	Plastic	Grain, Hot Madison, Remix, Re-Wool	Black, Bronzed, Polished Aluminium	4-6 weeks	9.10 kg	880
Fabric gr. 2	Plastic	Barnum, Canvas, Fiord	Black, Bronzed, Polished Aluminium	4-6 weeks	9.10 kg	945
Fabric gr. 3	Plastic	Hallingdal, Mylla, Steelcut Quartet, Steelcut Trio	Black, Bronzed, Polished Aluminium	4-6 weeks	9.10 kg	970
Fabric gr. 4	Plastic	Acca, Beda, Cifrado, Ecriture, Vidar	Black, Bronzed, Polished Aluminium	4-6 weeks	9.10 kg	1.035
Fabric gr. 5	Plastic	Gentle, Karakorum, Sisu	Black, Bronzed, Polished Aluminium	4-6 weeks	9.10 kg	1.125
Fabric gr. 6	Plastic	Fuse	Black, Bronzed, Polished Aluminium	4-6 weeks	9.10 kg	1.240
Leather	Plastic	Tailor Semi-aniline leather	Black, Bronzed, Polished Aluminium	4-6 weeks	9.10 kg	970
Leather	Plastic	Noble Aniline leather	Black, Bronzed, Polished Aluminium	4-6 weeks	9.10 kg	1.035
Leather	Plastic	Elmosoft Semi-aniline leather	Black, Bronzed, Polished Aluminium	4-6 weeks	9.10 kg	1.105
COM	Plastic	Fabric	Black, Bronzed, Polished Aluminium	4-6 weeks	9.10 kg	880



Made using FSC® certified wood, supporting responsible environmental, social and economical management of the world's forests. Visit www.fsc.org

Plastic shell variants

Black, White, Beige Sand, Red Brown, Light Blue, Stone Grey, Vermilion Red*, Bronze Green, Soft Pink*

Material: Shell made from 100% recycled polypropylene with fiber glass, HR foam seat covered with fabric or leather upholstery, aluminium swivel base.

*Available while stock lasts

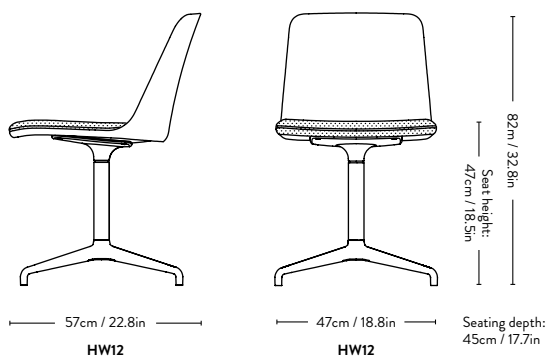
Fabric usage: 0.8 meter based on a 140 cm roll.

Leather usage: 1 square meter based on a yield of 60% pr hide.

COM must be approved by &Tradition to ensure suitability for upholstery.

Plastic gliders installed as standard.

Felt gliders available upon request.



Rely ^{HW13} Hee Welling 2020



Fabric gr.	Upholstery	Base	Lead time	Weight	PRICE EX. STATE TAX
Fabric gr. 1	Grain, Hot Madison, Remix, Re-Wool	Black, Bronzed, Polished Aluminium	4-6 weeks	8.30 kg	1.015
Fabric gr. 2	Barnum, Canvas, Fiord	Black, Bronzed, Polished Aluminium	4-6 weeks	8.30 kg	1.150
Fabric gr. 3	Hallingdal, Mylla, Steelcut Quartet, Steelcut Trio	Black, Bronzed, Polished Aluminium	4-6 weeks	8.30 kg	1.195
Fabric gr. 4	Acca, Beda, Cifrado, Ecriture, Vidar	Black, Bronzed, Polished Aluminium	4-6 weeks	8.30 kg	1.305
Fabric gr. 5	Gentle, Karakorum, Sisu	Black, Bronzed, Polished Aluminium	4-6 weeks	8.30 kg	1.575
Fabric gr. 6	Fuse	Black, Bronzed, Polished Aluminium	4-6 weeks	8.30 kg	1.735
Leather	Tailor Semi-aniline leather	Black, Bronzed, Polished Aluminium	4-6 weeks	8.30 kg	1.375
Leather	Noble Aniline leather	Black, Bronzed, Polished Aluminium	4-6 weeks	8.30 kg	1.440
Leather	Elmosoft Semi-aniline leather	Black, Bronzed, Polished Aluminium	4-6 weeks	8.30 kg	1.555
COM	Fabric	Black, Bronzed, Polished Aluminium	4-6 weeks	8.30 kg	1.015

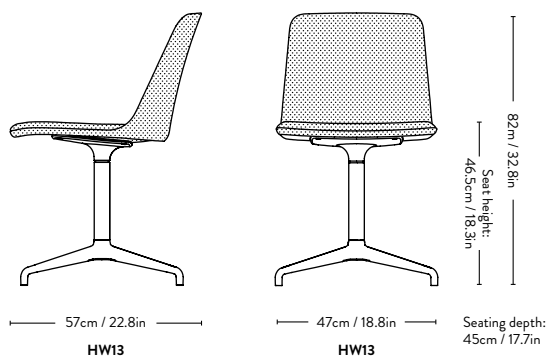
Material: Shell made from 100% recycled polypropylene with fiber glass, covered in HR foam with fabric or leather upholstery, aluminium swivel base.

Fabric usage: 1.7 meters based on a 140cm roll.

Leather usage: 1.7 square meters based on a yield of 60% pr hide.

COM must be approved by &Tradition to ensure suitability for upholstery.

Plastic gliders installed as standard.
Felt gliders available upon request.



Rely ^{HW14} Hee Welling 2020



Fabric gr.	Upholstery	Base	Lead time	Weight	PRICE EX. STATE TAX
Fabric gr. 1	Grain, Hot Madison, Remix, Re-Wool	Black, Bronzed, Polished Aluminium	4-6 weeks	9.40 kg	1.060
Fabric gr. 2	Barnum, Canvas, Fiord	Black, Bronzed, Polished Aluminium	4-6 weeks	9.40 kg	1.195
Fabric gr. 3	Hallingdal, Mylla, Steelcut Quartet, Steelcut Trio	Black, Bronzed, Polished Aluminium	4-6 weeks	9.40 kg	1.240
Fabric gr. 4	Acca, Beda, Cifrado, Ecriture, Vidar	Black, Bronzed, Polished Aluminium	4-6 weeks	9.40 kg	1.350
Fabric gr. 5	Gentle, Karakorum, Sisu	Black, Bronzed, Polished Aluminium	4-6 weeks	9.40 kg	1.620
Fabric gr. 6	Fuse	Black, Bronzed, Polished Aluminium	4-6 weeks	9.40 kg	1.780
Leather	Tailor Semi-aniline leather	Black, Bronzed, Polished Aluminium	4-6 weeks	9.40 kg	1.420
Leather	Noble Aniline leather	Black, Bronzed, Polished Aluminium	4-6 weeks	9.40 kg	1.485
Leather	Elmosoft Semi-aniline leather	Black, Bronzed, Polished Aluminium	4-6 weeks	9.40 kg	1.645
COM	Fabric	Black, Bronzed, Polished Aluminium	4-6 weeks	9.40 kg	1.060



Made using FSC® certified wood, supporting responsible environmental, social and economical management of the world's forests. Visit www.fsc.org

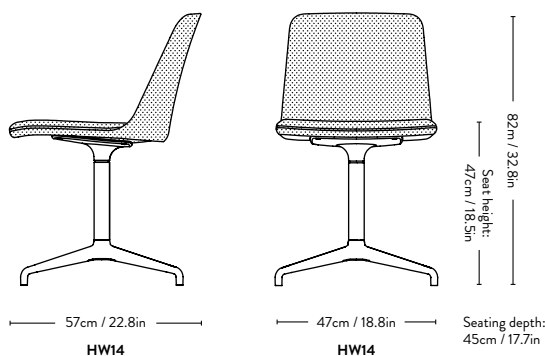
Material: Shell made from 100% recycled polypropylene with fiber glass, covered in HR foam with fabric or leather upholstery, aluminium swivel base.

Fabric usage: 1.4 meters based on a 140cm roll.

Leather usage: 1.7 square meters based on a yield of 60% pr hide.

COM must be approved by &Tradition to ensure suitability for upholstery.

Plastic gliders installed as standard.
Felt gliders available upon request.



Rely ^{HW15} Hee Welling 2020



Please note that price is accumulated price of shell & seat.

Fabric gr.	Upholstery	Base	Lead time	Weight	PRICE EX. STATE TAX
Fabric gr. 1	Grain, Hot Madison, Remix, Re-Wool	Black, Bronzed, Polished Aluminium	4-6 weeks	9.40 kg	835
Fabric gr. 2	Barnum, Canvas, Fiord	Black, Bronzed, Polished Aluminium	4-6 weeks	9.40 kg	900
Fabric gr. 3	Hallingdal, Mylla, Steelcut Quartet, Steelcut Trio	Black, Bronzed, Polished Aluminium	4-6 weeks	9.40 kg	925
Fabric gr. 4	Acca, Beda, Cifrado, Ecriture, Vidar	Black, Bronzed, Polished Aluminium	4-6 weeks	9.40 kg	965
Fabric gr. 5	Gentle, Karakorum, Sisu	Black, Bronzed, Polished Aluminium	4-6 weeks	9.40 kg	1.145
Fabric gr. 6	Fuse	Black, Bronzed, Polished Aluminium	4-6 weeks	9.40 kg	1.260
Leather	Tailor Semi-aniline leather	Black, Bronzed, Polished Aluminium	4-6 weeks	9.40 kg	1.060
Leather	Noble Aniline leather	Black, Bronzed, Polished Aluminium	4-6 weeks	9.40 kg	1.100
Leather	Elmosoft Semi-aniline leather	Black, Bronzed, Polished Aluminium	4-6 weeks	9.40 kg	1.170
COM	Fabric	Black, Bronzed, Polished Aluminium	4-6 weeks	9.40 kg	835

Fabric gr.	Seat Upholstery	Lead time	PRICE EX. STATE TAX
Fabric gr. 1	Grain, Hot Madison, Remix, Re-Wool	4-6 weeks	225
Fabric gr. 2	Barnum, Canvas, Fiord	4-6 weeks	295
Fabric gr. 3	Hallingdal, Mylla, Steelcut Quartet, Steelcut Trio	4-6 weeks	315
Fabric gr. 4	Acca, Beda, Cifrado, Ecriture, Vidar	4-6 weeks	385
Fabric gr. 5	Gentle, Karakorum, Sisu	4-6 weeks	475
Fabric gr. 6	Fuse	4-6 weeks	520
Leather	Tailor Semi-aniline leather	4-6 weeks	360
Leather	Noble Aniline leather	4-6 weeks	385
Leather	Elmosoft Semi-aniline leather	4-6 weeks	475
COM	Fabric	4-6 weeks	225



Made using FSC® certified wood, supporting responsible environmental, social and economical management of the world's forests. Visit www.fsc.org

Material: Shell made from 100% recycled polypropylene with fiber glass, covered in HR foam with fabric or leather upholstery, aluminium swivel base.

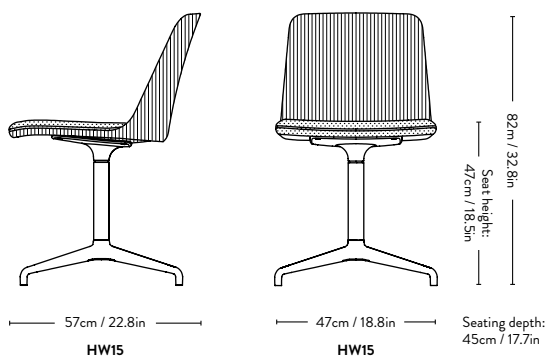
Fabric usage: 1.9 meter (Shell: 1.2 meters / Seat: 0.7 meter) based on a 140 cm roll.

Leather usage: 2.5 square meters (Shell: 1.7 sqm / Seat: 0.8 sqm) based on a yield of 60% pr hide.

COM must be approved by &Tradition to ensure suitability for upholstery.

Plastic gliders installed as standard.
Felt gliders available upon request.

Minimum order quantity of same variant: 4 pcs.



Rely ^{HW16} Hee Welling 2020

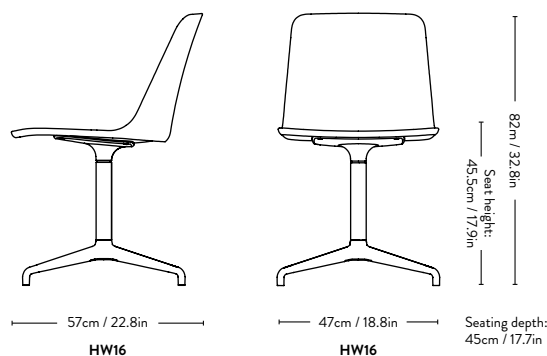


Shell Variant	Base	Lead time	Weight	PRICE EX. STATE TAX
Black	Black, Bronzed, Polished Aluminium	2-3 weeks	7.80 kg	675
White	Black, Bronzed, Polished Aluminium	2-3 weeks	7.80 kg	675
Beige Sand	Black, Bronzed, Polished Aluminium	2-3 weeks	7.80 kg	675
Red Brown	Black, Bronzed, Polished Aluminium	2-3 weeks	7.80 kg	675
Light Blue	Black, Bronzed, Polished Aluminium	2-3 weeks	7.80 kg	675
Stone Grey	Black, Bronzed, Polished Aluminium	2-3 weeks	7.80 kg	675
Vermilion Red*	Black, Bronzed, Polished Aluminium	2-3 weeks	7.80 kg	675
Bronze Green	Black, Bronzed, Polished Aluminium	2-3 weeks	7.80 kg	675
Soft Pink*	Black, Bronzed, Polished Aluminium	2-3 weeks	7.80 kg	675

Material: Shell made from 100% recycled polypropylene with fiber glass, aluminium swivel base with return.

*Available while stock lasts

Plastic gliders installed as standard.
Felt gliders available upon request.



Rely^{HW17} Hee Welling 2020



Fabric gr.	Shell	Seat Cushion Upholstery	Base	Lead time	Weight	PRICE EX. STATE TAX
Fabric gr. 1	Plastic	Grain, Hot Madison, Remix, Re-Wool	Black, Bronzed, Polished Aluminium	4-6 weeks	9.10 kg	970
Fabric gr. 2	Plastic	Barnum, Canvas, Fiord	Black, Bronzed, Polished Aluminium	4-6 weeks	9.10 kg	1.035
Fabric gr. 3	Plastic	Hallingdal, Mylla, Steelcut Quartet, Steelcut Trio	Black, Bronzed, Polished Aluminium	4-6 weeks	9.10 kg	1.060
Fabric gr. 4	Plastic	Acca, Beda, Cifrado, Ecriture, Vidar	Black, Bronzed, Polished Aluminium	4-6 weeks	9.10 kg	1.125
Fabric gr. 5	Plastic	Gentle, Karakorum, Sisu	Black, Bronzed, Polished Aluminium	4-6 weeks	9.10 kg	1.215
Fabric gr. 6	Plastic	Fuse	Black, Bronzed, Polished Aluminium	4-6 weeks	9.10 kg	1.330
Leather	Plastic	Tailor Semi-aniline leather	Black, Bronzed, Polished Aluminium	4-6 weeks	9.10 kg	1.060
Leather	Plastic	Noble Aniline leather	Black, Bronzed, Polished Aluminium	4-6 weeks	9.10 kg	1.125
Leather	Plastic	Elmosoft Semi-aniline leather	Black, Bronzed, Polished Aluminium	4-6 weeks	9.10 kg	1.195
COM	Plastic	Fabric	Black, Bronzed, Polished Aluminium	4-6 weeks	9.10 kg	970



Made using FSC® certified wood, supporting responsible environmental, social and economical management of the world's forests. Visit www.fsc.org

Plastic shell variants

Black, White, Beige Sand, Red Brown, Light Blue, Stone Grey, Vermilion Red*, Bronze Green, Soft Pink*

Material: Shell made from 100% recycled polypropylene with fiber glass, seat covered in HR foam with fabric or leather upholstery, aluminium swivel base with return function.

*Available while stock lasts

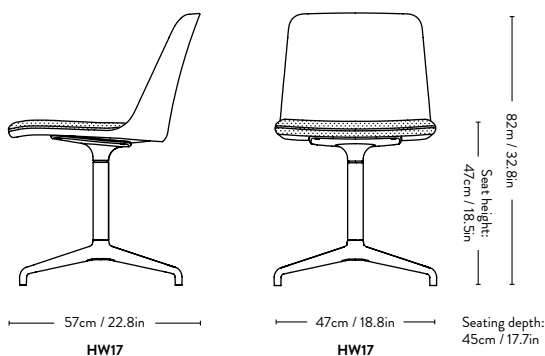
Fabric usage: 0.8 meter based on a 140 cm roll.

Leather usage: 1 square meter based on a yield of 60% pr hide.

COM must be approved by &Tradition to ensure suitability for upholstery.

Plastic gliders installed as standard.

Felt gliders available upon request.



Rely ^{HW18} Hee Welling 2020



Fabric gr.	Upholstery	Base	Lead time	Weight	PRICE EX. STATE TAX
Fabric gr. 1	Grain, Hot Madison, Remix, Re-Wool	Black, Bronzed, Polished Aluminium	4-6 weeks	8.30 kg	1.105
Fabric gr. 2	Barnum, Canvas, Fiord	Black, Bronzed, Polished Aluminium	4-6 weeks	8.30 kg	1.240
Fabric gr. 3	Hallingdal, Mylla, Steelcut Quartet, Steelcut Trio	Black, Bronzed, Polished Aluminium	4-6 weeks	8.30 kg	1.285
Fabric gr. 4	Acca, Beda, Cifrado, Ecriture, Vidar	Black, Bronzed, Polished Aluminium	4-6 weeks	8.30 kg	1.395
Fabric gr. 5	Gentle, Karakorum, Sisu	Black, Bronzed, Polished Aluminium	4-6 weeks	8.30 kg	1.665
Fabric gr. 6	Fuse	Black, Bronzed, Polished Aluminium	4-6 weeks	8.30 kg	1.825
Leather	Tailor Semi-aniline leather	Black, Bronzed, Polished Aluminium	4-6 weeks	8.30 kg	1.465
Leather	Noble Aniline leather	Black, Bronzed, Polished Aluminium	4-6 weeks	8.30 kg	1.530
Leather	Elmosoft Semi-aniline leather	Black, Bronzed, Polished Aluminium	4-6 weeks	8.30 kg	1.620
COM	Fabric	Black, Bronzed, Polished Aluminium	4-6 weeks	8.30 kg	1.105

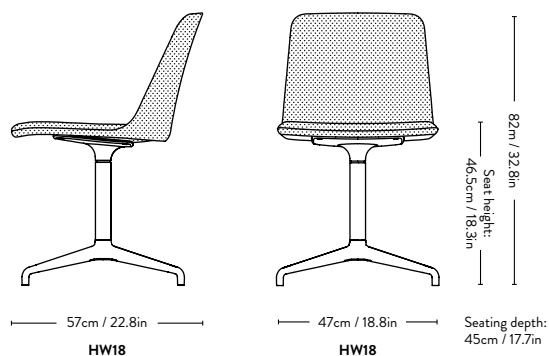
Material: Shell made from 100% recycled polypropylene with fiber glass, covered in HR foam with fabric or leather upholstery, aluminium swivel base with return function.

Fabric usage: 1.7 meters based on a 140cm roll.

Leather usage: 1.7 square meters based on a yield of 60% pr hide.

COM must be approved by &Tradition to ensure suitability for upholstery.

Plastic gliders installed as standard.
Felt gliders available upon request.



Rely ^{HW19} Hee Welling 2020



Fabric gr.	Upholstery	Base	Lead time	Weight	PRICE EX. STATE TAX
Fabric gr. 1	Grain, Hot Madison, Remix, Re-Wool	Black, Bronzed, Polished Aluminium	4-6 weeks	9.40 kg	1.150
Fabric gr. 2	Barnum, Canvas, Fiord	Black, Bronzed, Polished Aluminium	4-6 weeks	9.40 kg	1.285
Fabric gr. 3	Hallingdal, Mylla, Steelcut Quartet, Steelcut Trio	Black, Bronzed, Polished Aluminium	4-6 weeks	9.40 kg	1.330
Fabric gr. 4	Acca, Beda, Cifrado, Ecriture, Vidar	Black, Bronzed, Polished Aluminium	4-6 weeks	9.40 kg	1.440
Fabric gr. 5	Gentle, Karakorum, Sisu	Black, Bronzed, Polished Aluminium	4-6 weeks	9.40 kg	1.710
Fabric gr. 6	Fuse	Black, Bronzed, Polished Aluminium	4-6 weeks	9.40 kg	1.890
Leather	Tailor Semi-aniline leather	Black, Bronzed, Polished Aluminium	4-6 weeks	9.40 kg	1.510
Leather	Noble Aniline leather	Black, Bronzed, Polished Aluminium	4-6 weeks	9.40 kg	1.575
Leather	Elmosoft Semi-aniline leather	Black, Bronzed, Polished Aluminium	4-6 weeks	9.40 kg	1.735
COM	Fabric	Black, Bronzed, Polished Aluminium	4-6 weeks	9.40 kg	1.150



Made using FSC® certified wood, supporting responsible environmental, social and economical management of the world's forests. Visit www.fsc.org

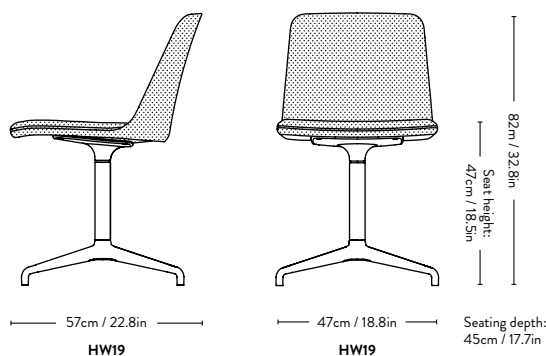
Material: Shell made from 100% recycled polypropylene with fiber glass, covered in HR foam with fabric or leather upholstery, aluminium swivel base with return function.

Fabric usage: 1.4 meters based on a 140cm roll.

Leather usage: 1.7 square meters based on a yield of 60% pr hide.

COM must be approved by &Tradition to ensure suitability for upholstery.

Plastic gliders installed as standard.
Felt gliders available upon request.



Rely ^{HW20} Hee Welling 2020



Please note that price is accumulated price of shell & seat.

Fabric gr.	Upholstery	Base	Lead time	Weight	PRICE EX. STATE TAX
Fabric gr. 1	Grain, Hot Madison, Remix, Re-Wool	Black, Bronzed, Polished Aluminium	4-6 weeks	9.40 kg	925
Fabric gr. 2	Barnum, Canvas, Fiord	Black, Bronzed, Polished Aluminium	4-6 weeks	9.40 kg	990
Fabric gr. 3	Hallingdal, Mylla, Steelcut Quartet, Steelcut Trio	Black, Bronzed, Polished Aluminium	4-6 weeks	9.40 kg	1.015
Fabric gr. 4	Acca, Beda, Cifrado, Ecriture, Vidar	Black, Bronzed, Polished Aluminium	4-6 weeks	9.40 kg	1.055
Fabric gr. 5	Gentle, Karakorum, Sisu	Black, Bronzed, Polished Aluminium	4-6 weeks	9.40 kg	1.235
Fabric gr. 6	Fuse	Black, Bronzed, Polished Aluminium	4-6 weeks	9.40 kg	1.370
Leather	Tailor Semi-aniline leather	Black, Bronzed, Polished Aluminium	4-6 weeks	9.40 kg	1.150
Leather	Noble Aniline leather	Black, Bronzed, Polished Aluminium	4-6 weeks	9.40 kg	1.190
Leather	Elmosoft Semi-aniline leather	Black, Bronzed, Polished Aluminium	4-6 weeks	9.40 kg	1.260
COM	Fabric	Black, Bronzed, Polished Aluminium	4-6 weeks	9.40 kg	925

Fabric gr.	Seat Upholstery	Lead time	PRICE EX. STATE TAX
Fabric gr. 1	Grain, Hot Madison, Remix, Re-Wool	4-6 weeks	225
Fabric gr. 2	Barnum, Canvas, Fiord	4-6 weeks	295
Fabric gr. 3	Hallingdal, Mylla, Steelcut Quartet, Steelcut Trio	4-6 weeks	315
Fabric gr. 4	Acca, Beda, Cifrado, Ecriture, Vidar	4-6 weeks	385
Fabric gr. 5	Gentle, Karakorum, Sisu	4-6 weeks	475
Fabric gr. 6	Fuse	4-6 weeks	520
Leather	Tailor Semi-aniline leather	4-6 weeks	360
Leather	Noble Aniline leather	4-6 weeks	385
Leather	Elmosoft Semi-aniline leather	4-6 weeks	475
COM	Fabric	4-6 weeks	225



Made using FSC® certified wood, supporting responsible environmental, social and economical management of the world's forests. Visit www.fsc.org

Material: Shell made from 100% recycled polypropylene with fiber glass, covered in HR foam with fabric or leather upholstery, aluminium swivel base with return function.

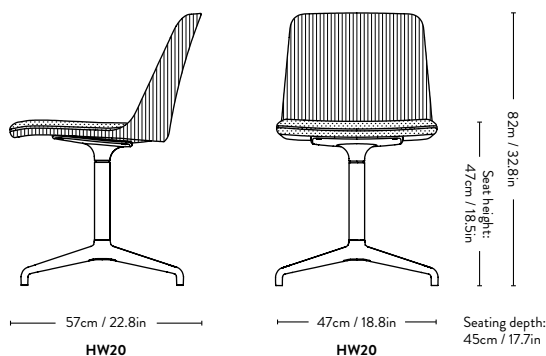
Fabric usage: 1.9 meter (Shell: 1.2 meters / Seat: 0.7 meter) based on a 140 cm roll.

Leather usage: 2.5 square meters (Shell: 1.7 sqm / Seat: 0.8 sqm) based on a yield of 60% pr hide.

COM must be approved by &Tradition to ensure suitability for upholstery.

Plastic gliders installed as standard.
Felt gliders available upon request.

Minimum order quantity of same variant: 4 pcs.



Rely ^{HW21} Hee Welling 2020

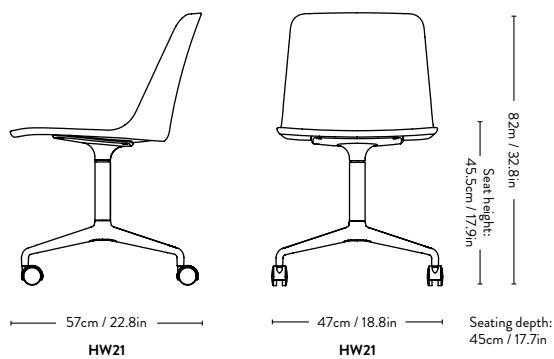


Shell Variant	Base	Lead time	Weight	PRICE EX. STATE TAX
Black	Black, Bronzed, Polished Aluminium	2-3 weeks	7.80 kg	675
White	Black, Bronzed, Polished Aluminium	2-3 weeks	7.80 kg	675
Beige Sand	Black, Bronzed, Polished Aluminium	2-3 weeks	7.80 kg	675
Red Brown	Black, Bronzed, Polished Aluminium	2-3 weeks	7.80 kg	675
Light Blue	Black, Bronzed, Polished Aluminium	2-3 weeks	7.80 kg	675
Stone Grey	Black, Bronzed, Polished Aluminium	2-3 weeks	7.80 kg	675
Vermilion Red*	Black, Bronzed, Polished Aluminium	2-3 weeks	7.80 kg	675
Bronze Green	Black, Bronzed, Polished Aluminium	2-3 weeks	7.80 kg	675
Soft Pink*	Black, Bronzed, Polished Aluminium	2-3 weeks	7.80 kg	675

Material: Shell made from 100% recycled polypropylene with fiber glass, aluminium swivel base with castors.

*Available while stock lasts

Castors suitable for all floor types.



Rely^{HW22} Hee Welling 2020



Fabric gr.	Shell	Seat Cushion Upholstery	Base	Lead time	Weight	PRICE EX. STATE TAX
Fabric gr. 1	Plastic	Grain, Hot Madison, Remix, Re-Wool	Black, Bronzed, Polished Aluminium	4-6 weeks	9.10 kg	970
Fabric gr. 2	Plastic	Barnum, Canvas, Fiord	Black, Bronzed, Polished Aluminium	4-6 weeks	9.10 kg	1.035
Fabric gr. 3	Plastic	Hallingdal, Mylla, Steelcut Quartet, Steelcut Trio	Black, Bronzed, Polished Aluminium	4-6 weeks	9.10 kg	1.060
Fabric gr. 4	Plastic	Acca, Beda, Cifrado, Ecriture, Vidar	Black, Bronzed, Polished Aluminium	4-6 weeks	9.10 kg	1.105
Fabric gr. 5	Plastic	Gentle, Karakorum, Sisu	Black, Bronzed, Polished Aluminium	4-6 weeks	9.10 kg	1.215
Fabric gr. 6	Plastic	Fuse	Black, Bronzed, Polished Aluminium	4-6 weeks	9.10 kg	1.330
Leather	Plastic	Tailor Semi-aniline leather	Black, Bronzed, Polished Aluminium	4-6 weeks	9.10 kg	1.080
Leather	Plastic	Noble Aniline leather	Black, Bronzed, Polished Aluminium	4-6 weeks	9.10 kg	1.150
Leather	Plastic	Elmosoft Semi-aniline leather	Black, Bronzed, Polished Aluminium	4-6 weeks	9.10 kg	1.215
COM	Plastic	Fabric	Black, Bronzed, Polished Aluminium	4-6 weeks	9.10 kg	970



Made using FSC® certified wood, supporting responsible environmental, social and economical management of the world's forests. Visit www.fsc.org

Plastic shell variants

Black, White, Beige Sand, Red Brown, Light Blue, Stone Grey, Vermilion Red*, Bronze Green, Soft Pink*

Material: Shell made from 100% recycled polypropylene with fiber glass, seat covered in HR foam with fabric or leather upholstery, aluminium swivel base with castors.

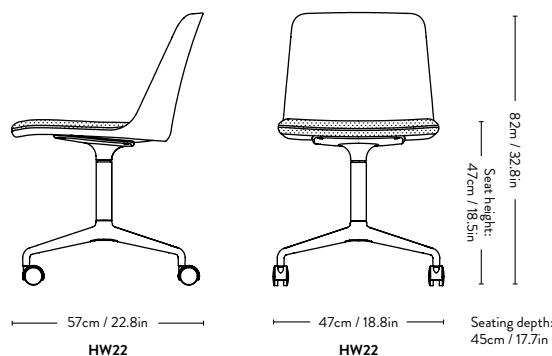
*Available while stock lasts

Fabric usage: 0.8 meter based on a 140 cm roll.

Leather usage: 1 square meter based on a yield of 60% pr hide.

COM must be approved by &Tradition to ensure suitability for upholstery.

Castors suitable for all floor types.



Rely ^{HW23} Hee Welling 2020



Fabric gr.	Upholstery	Base	Lead time	Weight	PRICE EX. STATE TAX
Fabric gr. 1	Grain, Hot Madison, Remix, Re-Wool	Black, Bronzed, Polished Aluminium	4-6 weeks	8.30 kg	1.105
Fabric gr. 2	Barnum, Canvas, Fiord	Black, Bronzed, Polished Aluminium	4-6 weeks	8.30 kg	1.240
Fabric gr. 3	Hallingdal, Mylla, Steelcut Quartet, Steelcut Trio	Black, Bronzed, Polished Aluminium	4-6 weeks	8.30 kg	1.285
Fabric gr. 4	Acca, Beda, Cifrado, Ecriture, Vidar	Black, Bronzed, Polished Aluminium	4-6 weeks	8.30 kg	1.395
Fabric gr. 5	Gentle, Karakorum, Sisu	Black, Bronzed, Polished Aluminium	4-6 weeks	8.30 kg	1.665
Fabric gr. 6	Fuse	Black, Bronzed, Polished Aluminium	4-6 weeks	8.30 kg	1.825
Leather	Tailor Semi-aniline leather	Black, Bronzed, Polished Aluminium	4-6 weeks	8.30 kg	1.465
Leather	Noble Aniline leather	Black, Bronzed, Polished Aluminium	4-6 weeks	8.30 kg	1.530
Leather	Elmosoft Semi-aniline leather	Black, Bronzed, Polished Aluminium	4-6 weeks	8.30 kg	1.645
COM	Fabric	Black, Bronzed, Polished Aluminium	4-6 weeks	8.30 kg	1.105

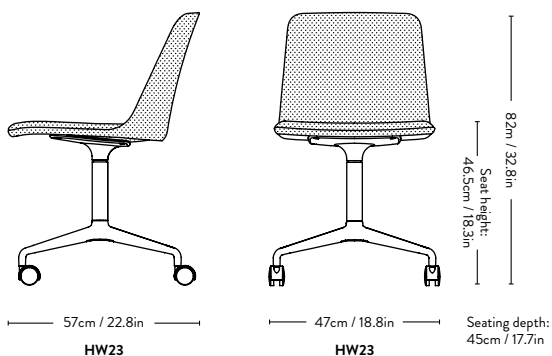
Material: Shell made from 100% recycled polypropylene with fiber glass, covered in HR foam with fabric or leather upholstery, aluminium swivel base with castors.

Fabric usage: 1.7 meters based on a 140cm roll.

Leather usage: 1.7 square meters based on a yield of 60% pr hide.

COM must be approved by &Tradition to ensure suitability for upholstery.

Castors suitable for all floor types.



Rely ^{HW24} Hee Welling 2020



Fabric gr.	Upholstery	Base	Lead time	Weight	PRICE EX. STATE TAX
Fabric gr. 1	Grain, Hot Madison, Remix, Re-Wool	Black, Bronzed, Polished Aluminium	4-6 weeks	9.40 kg	1.150
Fabric gr. 2	Barnum, Canvas, Fiord	Black, Bronzed, Polished Aluminium	4-6 weeks	9.40 kg	1.285
Fabric gr. 3	Hallingdal, Mylla, Steelcut Quartet, Steelcut Trio	Black, Bronzed, Polished Aluminium	4-6 weeks	9.40 kg	1.330
Fabric gr. 4	Acca, Beda, Cifrado, Ecriture, Vidar	Black, Bronzed, Polished Aluminium	4-6 weeks	9.40 kg	1.440
Fabric gr. 5	Gentle, Karakorum, Sisu	Black, Bronzed, Polished Aluminium	4-6 weeks	9.40 kg	1.710
Fabric gr. 6	Fuse	Black, Bronzed, Polished Aluminium	4-6 weeks	9.40 kg	1.890
Leather	Tailor Semi-aniline leather	Black, Bronzed, Polished Aluminium	4-6 weeks	9.40 kg	1.510
Leather	Noble Aniline leather	Black, Bronzed, Polished Aluminium	4-6 weeks	9.40 kg	1.575
Leather	Elmosoft Semi-aniline leather	Black, Bronzed, Polished Aluminium	4-6 weeks	9.40 kg	1.735
COM	Fabric	Black, Bronzed, Polished Aluminium	4-6 weeks	9.40 kg	1.150



Made using FSC® certified wood, supporting responsible environmental, social and economical management of the world's forests. Visit www.fsc.org

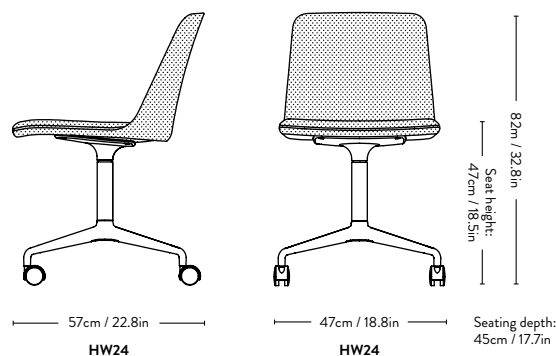
Material: Shell made from 100% recycled polypropylene with fiber glass, covered in HR foam with fabric or leather upholstery, aluminium swivel base with castors.

Fabric usage: 1.4 meters based on a 140cm roll.

Leather usage: 1.7 square meters based on a yield of 60% pr hide.

COM must be approved by &Tradition to ensure suitability for upholstery.

Castors suitable for all floor types.



Rely ^{HW25} Hee Welling 2020



Please note that price is accumulated price of shell & seat.

Fabric gr.	Upholstery	Base	Lead time	Weight	PRICE EX. STATE TAX
Fabric gr. 1	Grain, Hot Madison, Remix, Re-Wool	Black, Bronzed, Polished Aluminium	4-6 weeks	9.40 kg	925
Fabric gr. 2	Barnum, Canvas, Fiord	Black, Bronzed, Polished Aluminium	4-6 weeks	9.40 kg	990
Fabric gr. 3	Hallingdal, Mylla, Steelcut Quartet, Steelcut Trio	Black, Bronzed, Polished Aluminium	4-6 weeks	9.40 kg	1.015
Fabric gr. 4	Acca, Beda, Cifrado, Ecriture, Vidar	Black, Bronzed, Polished Aluminium	4-6 weeks	9.40 kg	1.055
Fabric gr. 5	Gentle, Karakorum, Sisu	Black, Bronzed, Polished Aluminium	4-6 weeks	9.40 kg	1.235
Fabric gr. 6	Fuse	Black, Bronzed, Polished Aluminium	4-6 weeks	9.40 kg	1.370
Leather	Tailor Semi-aniline leather	Black, Bronzed, Polished Aluminium	4-6 weeks	9.40 kg	1.150
Leather	Noble Aniline leather	Black, Bronzed, Polished Aluminium	4-6 weeks	9.40 kg	1.190
Leather	Elmosoft Semi-aniline leather	Black, Bronzed, Polished Aluminium	4-6 weeks	9.40 kg	1.260
COM	Fabric	Black, Bronzed, Polished Aluminium	4-6 weeks	9.40 kg	925

Fabric gr.	Seat Upholstery	Lead time	PRICE EX. STATE TAX
Fabric gr. 1	Grain, Hot Madison, Remix, Re-Wool	4-6 weeks	225
Fabric gr. 2	Barnum, Canvas, Fiord	4-6 weeks	295
Fabric gr. 3	Hallingdal, Mylla, Steelcut Quartet, Steelcut Trio	4-6 weeks	315
Fabric gr. 4	Acca, Beda, Cifrado, Ecriture, Vidar	4-6 weeks	385
Fabric gr. 5	Gentle, Karakorum, Sisu	4-6 weeks	475
Fabric gr. 6	Fuse	4-6 weeks	520
Leather	Tailor Semi-aniline leather	4-6 weeks	360
Leather	Noble Aniline leather	4-6 weeks	385
Leather	Elmosoft Semi-aniline leather	4-6 weeks	475
COM	Fabric	4-6 weeks	225



Made using FSC® certified wood, supporting responsible environmental, social and economical management of the world's forests. Visit www.fsc.org

Material: Shell made from 100% recycled polypropylene with fiber glass, covered in HR foam with fabric or leather upholstery, aluminium swivel base with castors.

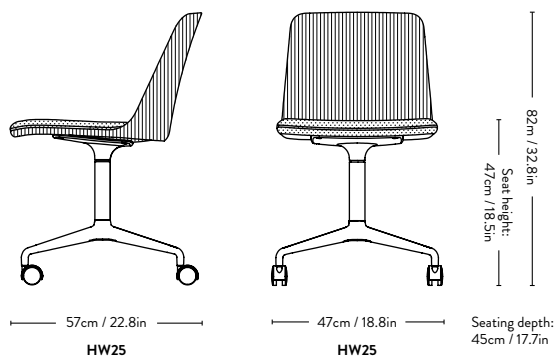
Fabric usage: 1.9 meter (Shell: 1.2 meters / Seat: 0.7 meter) based on a 140 cm roll.

Leather usage: 2.5 square meters (Shell: 1.7 sqm / Seat: 0.8 sqm) based on a yield of 60% pr hide.

COM must be approved by &Tradition to ensure suitability for upholstery.

Castors suitable for all floor types.

Minimum order quantity of same variant: 4 pcs.



Rely ^{HW26} Hee Welling 2020



Product no.	Shell Variant	Base	Lead time	Weight	PRICE EX. STATE TAX
HW26	Black	Chrome, Black	2-3 weeks	5.20 kg	430
HW26	White	Chrome, Black	2-3 weeks	5.20 kg	430
HW26	Beige Sand	Chrome, Black	2-3 weeks	5.20 kg	430
HW26	Red Brown	Chrome, Black	2-3 weeks	5.20 kg	430
HW26	Light Blue	Chrome, Black	2-3 weeks	5.20 kg	430
HW26	Stone Grey	Chrome, Black	2-3 weeks	5.20 kg	430
HW26	Vermilion Red*	Chrome, Black	2-3 weeks	5.20 kg	430
HW26	Bronze Green	Chrome, Black	2-3 weeks	5.20 kg	430
HW26	Soft Pink*	Chrome, Black	2-3 weeks	5.20 kg	430
134564	Rely stacking trolley		6-8 weeks		1.015



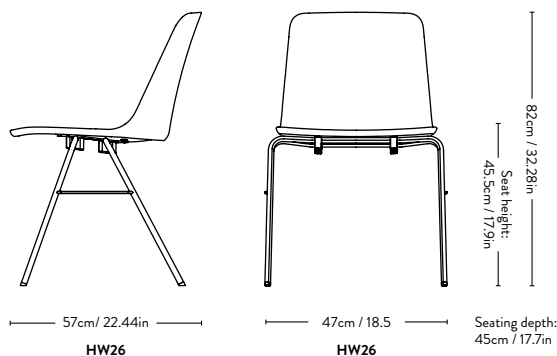
EU Ecolabel certified, validating high standards of durability, circular design, and responsible use of chemicals. Please contact our sales team for a list of EU Ecolabel compliant combinations.

Material: Shell made from 100% recycled polypropylene with fiber glass and a steel tube base.

*Available while stock lasts

Plastic gliders installed as standard.
Felt gliders available upon request.

Stacking quantity: 12 pcs (Chrome only).



Rely ^{HW27} Hee Welling 2020



Product no.	Shell Variant	Base	Lead time	Weight	PRICE EX. STATE TAX
HW27	Black	Chrome	2-3 weeks	5.20 kg	450
HW27	White	Chrome	2-3 weeks	5.20 kg	450
HW27	Beige Sand	Chrome	2-3 weeks	5.20 kg	450
HW27	Red Brown	Chrome	2-3 weeks	5.20 kg	450
HW27	Light Blue	Chrome	2-3 weeks	5.20 kg	450
HW27	Stone Grey	Chrome	2-3 weeks	5.20 kg	450
HW27	Vermilion Red*	Chrome	2-3 weeks	5.20 kg	450
HW27	Bronze Green	Chrome	2-3 weeks	5.20 kg	450
HW27	Soft Pink*	Chrome	2-3 weeks	5.20 kg	450
134564	Rely stacking trolley		6-8 weeks		1.015



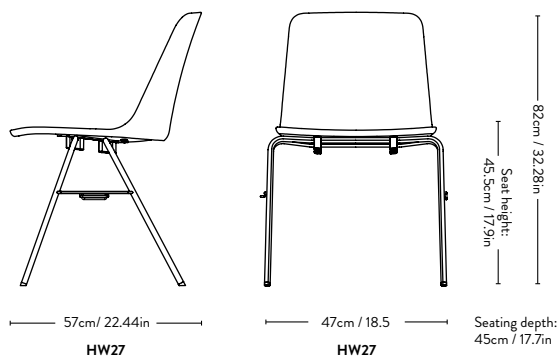
EU Ecolabel certified, validating high standards of durability, circular design, and responsible use of chemicals. Please contact our sales team for a list of EU Ecolabel compliant combinations.

Material: Shell made from 100% recycled polypropylene with fiber glass and a steel tube base.

*Available while stock lasts

Plastic gliders installed as standard.
Felt gliders available upon request.

Stacking quantity: 12 pcs



Rely ^{HW65} Hee Welling 2023



Product no.	Shell Variant	Base	Colli qty.	Lead time	Weight	PRICE EX. STATE TAX
HW65	Black	Black, Chrome	1 pc	2-3 weeks	5.50 kg	430
HW65	White	Black, Chrome	1 pc	2-3 weeks	5.50 kg	430
HW65	Beige Sand	Black, Chrome	1 pc	2-3 weeks	5.50 kg	430
HW65	Red Brown	Black, Chrome	1 pc	2-3 weeks	5.50 kg	430
HW65	Light Blue	Black, Chrome	1 pc	2-3 weeks	5.50 kg	430
HW65	Stone Grey	Black, Chrome	1 pc	2-3 weeks	5.50 kg	430
HW65	Vermilion Red*	Black, Chrome	1 pc	2-3 weeks	5.50 kg	430
HW65	Bronze Green	Black, Chrome	1 pc	2-3 weeks	5.50 kg	430
HW65	Soft Pink*	Black, Chrome	1 pc	2-3 weeks	5.50 kg	430
142018	Rely stacking trolley			6-8 weeks		1.015
	Linking device (must be specified with the order)		1 pc	6-8 weeks	0.40 kg	135



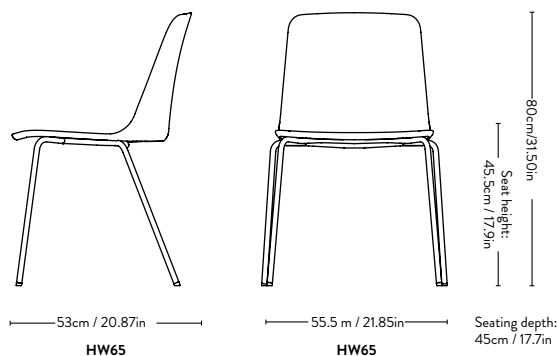
EU Ecolabel certified, validating high standards of durability, circular design, and responsible use of chemicals. Please contact our sales team for a list of EU Ecolabel compliant combinations.

Material: Shell made from 100% recycled polypropylene with 15% fiber glass

*Available while stock lasts

Plastic gliders installed as standard.
Felt gliders available upon request.

Stacking quantity: 12 pcs



Rely ^{HW66} Hee Welling 2023



Fabric gr.	Shell	Seat Cushion Upholstery	Base	Lead time	Weight	PRICE EX. STATE TAX
Fabric gr. 1	Plastic	Grain, Hot Madison, Remix, Re-Wool	Black, Chrome	4-6 weeks	6.50 kg	675
Fabric gr. 2	Plastic	Barnum, Canvas, Fiord	Black, Chrome	4-6 weeks	6.50 kg	745
Fabric gr. 3	Plastic	Hallingdal, Mylla, Steelcut Quartet, Steelcut Trio	Black, Chrome	4-6 weeks	6.50 kg	765
Fabric gr. 4	Plastic	Acca, Beda, Cifrado, Ecriture, Vidar	Black, Chrome	4-6 weeks	6.50 kg	835
Fabric gr. 5	Plastic	Karakorum, Sisu	Black, Chrome	4-6 weeks	6.50 kg	925
Fabric gr. 6	Plastic	Fuse	Black, Chrome	4-6 weeks	6.50 kg	1.035
Leather	Plastic	Tailor Semi-aniline leather	Black, Chrome	4-6 weeks	6.50 kg	745
Leather	Plastic	Noble Aniline leather	Black, Chrome	4-6 weeks	6.50 kg	835
Leather	Plastic	Elmosoft Semi-aniline leather	Black, Chrome	4-6 weeks	6.50 kg	880
COM	Plastic	Fabric	Black, Chrome	4-6 weeks	6.50 kg	675
140219	Rely stacking trolley			6-8 weeks		1.015



EU Ecolabel : DK/049/019



The mark of responsible forestry

EU Ecolabel certified, validating high standards of durability, circular design, and responsible use of chemicals. Please contact our sales team for a list of EU Ecolabel compliant combinations.

Made using FSC® certified wood, supporting responsible environmental, social and economical management of the world's forests. Visit www.fsc.org

Plastic shell variants

Black, White, Beige Sand, Red Brown, Light Blue, Stone Grey, Vermilion Red*, Bronze Green, Soft Pink*

Material: Shell made from 100% recycled polypropylene with fiber glass, HR foam seat covered with fabric or leather upholstery, aluminium swivel base.

*Available while stock lasts

Fabric usage: 0.8 meter based on a 140 cm roll.

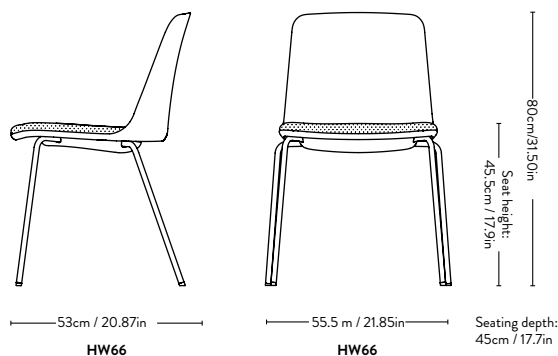
Leather usage: 1 square meter based on a yield of 60% pr hide.

COM must be approved by &Tradition to ensure suitability for upholstery.

Plastic gliders installed as standard.

Felt gliders available upon request.

Stacking quantity: 8 pcs



Rely ^{HW67} Hee Welling 2023



Fabric gr.	Upholstery	Base	Lead time	Weight	PRICE EX. STATE TAX
Fabric gr. 1	Grain, Hot Madison, Remix, Re-Wool	Black, Chrome	4-6 weeks	6.20 kg	835
Fabric gr. 2	Barnum, Canvas, Fiord	Black, Chrome	4-6 weeks	6.20 kg	970
Fabric gr. 3	Hallingdal, Mylla, Steelcut Quartet, Steelcut Trio	Black, Chrome	4-6 weeks	6.20 kg	1.015
Fabric gr. 4	Acca, Beda, Cifrado, Ecriture, Vidar	Black, Chrome	4-6 weeks	6.20 kg	1.125
Fabric gr. 5	Karakorum, Sisu	Black, Chrome	4-6 weeks	6.20 kg	1.395
Fabric gr. 6	Fuse	Black, Chrome	4-6 weeks	6.20 kg	1.575
Leather	Tailor Semi-aniline leather	Black, Chrome	4-6 weeks	6.20 kg	1.215
Leather	Noble Aniline leather	Black, Chrome	4-6 weeks	6.20 kg	1.285
Leather	Elmosoft Semi-aniline leather	Black, Chrome	4-6 weeks	6.20 kg	1.395
COM	Fabric	Black, Chrome	4-6 weeks	6.20 kg	835
140219	Rely stacking trolley		6-8 weeks		1.015



EU Ecolabel certified, validating high standards of durability, circular design, and responsible use of chemicals. Please contact our sales team for a list of EU Ecolabel compliant combinations.

Material: Shell made from 100% recycled polypropylene with fiber glass, HR foam seat covered with fabric or leather upholstery

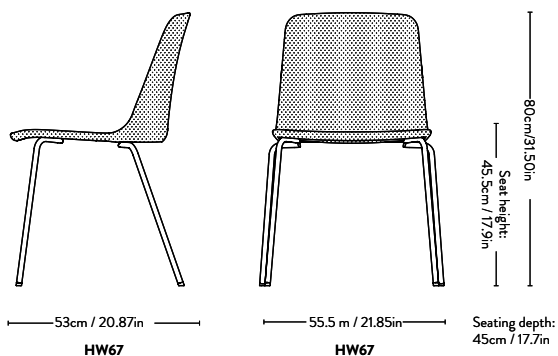
Fabric usage: 1.7 meters based on a 140cm roll.

Leather usage: 1.7 square meters based on a yield of 60% pr hide.

Plastic gliders installed as standard.
Felt gliders available upon request.

COM must be approved by &Tradition to ensure suitability for upholstery.

Stacking quantity: 8 pcs



Rely ^{HW68} Hee Welling 2023



Fabric gr.	Upholstery	Base	Lead time	Weight	PRICE EX. STATE TAX
Fabric gr. 1	Grain, Hot Madison, Remix, Re-Wool	Black, Chrome	4-6 weeks	7.30 kg	880
Fabric gr. 2	Barnum, Canvas, Fiord	Black, Chrome	4-6 weeks	7.30 kg	1.015
Fabric gr. 3	Hallingdal, Mylla, Steelcut Quartet, Steelcut Trio	Black, Chrome	4-6 weeks	7.30 kg	1.060
Fabric gr. 4	Acca, Beda, Cifrado, Ecriture, Vidar	Black, Chrome	4-6 weeks	7.30 kg	1.170
Fabric gr. 5	Karakorum, Sisu	Black, Chrome	4-6 weeks	7.30 kg	1.440
Fabric gr. 6	Fuse	Black, Chrome	4-6 weeks	7.30 kg	1.645
Leather	Tailor Semi-aniline leather	Black, Chrome	4-6 weeks	7.30 kg	1.260
Leather	Noble Aniline leather	Black, Chrome	4-6 weeks	7.30 kg	1.330
Leather	Elmosoft Semi-aniline leather	Black, Chrome	4-6 weeks	7.30 kg	1.465
COM	Fabric	Black, Chrome	4-6 weeks	7.30 kg	880
140219	Rely stacking trolley		6-8 weeks		1.015



EU Ecolabel certified, validating high standards of durability, circular design, and responsible use of chemicals. Please contact our sales team for a list of EU Ecolabel compliant combinations.



Made using FSC® certified wood, supporting responsible environmental, social and economical management of the world's forests. Visit www.fsc.org

Material: Shell made from 100% recycled polypropylene with fiber glass, covered with HR foam with fabric or leather upholstery, steel tube base.

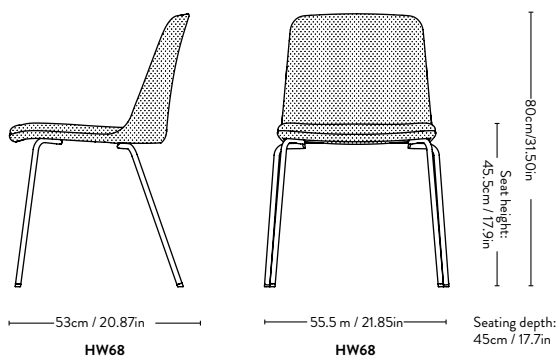
Fabric usage: 1.4 meters based on a 140cm roll.

Leather usage: 1.7 square meters based on a yield of 60% pr hide.

Plastic gliders installed as standard.
Felt gliders available upon request.

COM must be approved by &Tradition to ensure suitability for upholstery.

Stacking quantity: 8 pcs



Rely ^{HW69} Hee Welling 2023



Please note that price is accumulated price of shell & seat.

Fabric gr.	Upholstery	Base	Lead time	Weight	PRICE EX. STATE TAX
Fabric gr. 1	Grain, Hot Madison, Remix, Re-Wool	Black, Chrome	4-6 weeks	7.30 kg	675
Fabric gr. 2	Barnum, Canvas, Fiord	Black, Chrome	4-6 weeks	7.30 kg	745
Fabric gr. 3	Hallingdal, Mylla, Steelcut Quartet, Steelcut Trio	Black, Chrome	4-6 weeks	7.30 kg	765
Fabric gr. 4	Acca, Beda, Cifrado, Ecriture, Vidar	Black, Chrome	4-6 weeks	7.30 kg	785
Fabric gr. 5	Karakorum, Sisu	Black, Chrome	4-6 weeks	7.30 kg	965
Fabric gr. 6	Fuse	Black, Chrome	4-6 weeks	7.30 kg	1.080
Leather	Tailor Semi-aniline leather	Black, Chrome	4-6 weeks	7.30 kg	900
Leather	Noble Aniline leather	Black, Chrome	4-6 weeks <td 7.30 kg	945	
Leather	Elmosoft Semi-aniline leather	Black, Chrome	4-6 weeks	7.30 kg	990
COM	Fabric	Black, Chrome	4-6 weeks	7.30 kg	675

Fabric gr.	Seat Upholstery	Lead time	PRICE EX. STATE TAX
Fabric gr. 1	Grain, Hot Madison, Remix, Re-Wool	4-6 weeks	225
Fabric gr. 2	Barnum, Canvas, Fiord	4-6 weeks	295
Fabric gr. 3	Hallingdal, Mylla, Steelcut Quartet, Steelcut Trio	4-6 weeks	315
Fabric gr. 4	Acca, Beda, Cifrado, Ecriture, Vidar	4-6 weeks	385
Fabric gr. 5	Karakorum, Sisu	4-6 weeks	475
Fabric gr. 6	Fuse	4-6 weeks	520
Leather	Tailor Semi-aniline leather	4-6 weeks	360
Leather	Noble Aniline leather	4-6 weeks	385
Leather	Elmosoft Semi-aniline leather	4-6 weeks	475
COM	Fabric	4-6 weeks	225
140219	Rely stacking trolley	6-8 weeks	1.015



Made using FSC® certified wood, supporting responsible environmental, social and economical management of the world's forests. Visit www.fsc.org

Material: Shell made from 100% recycled polypropylene with fiber glass, HR foam seat covered with fabric or leather upholstery

Fabric usage: 1.9 meter (Shell: 1.2 meters / Seat: 0.7 meter) based on a 140 cm roll.

Leather usage: 2.5 square meters (Shell: 1.7 sqm / Seat: 0.8 sqm) based on a yield of 60% pr hide.

COM must be approved by &Tradition to ensure suitability for upholstery

Plastic gliders installed as standard.

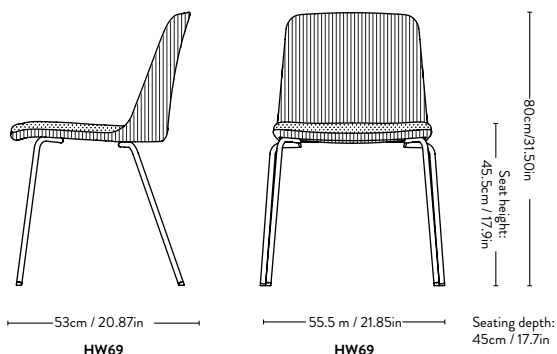
Felt gliders available upon request.

Stacking quantity: 8 pcs

Minimum order quantity of same variant: 4 pcs.



EU Ecolabel certified, validating high standards of durability, circular design, and responsible use of chemicals. Please contact our sales team for a list of EU Ecolabel compliant combinations.



Rely ^{HW28} Hee Welling 2020



Shell Variant	Base	Lead time	Weight	PRICE EX. STATE TAX
Black	Black, Polished Aluminium	2-3 weeks	8.90 kg	810
White	Black, Polished Aluminium	2-3 weeks	8.90 kg	810
Beige Sand	Black, Polished Aluminium	2-3 weeks	8.90 kg	810
Red Brown	Black, Polished Aluminium	2-3 weeks	8.90 kg	810
Light Blue	Black, Polished Aluminium	2-3 weeks	8.90 kg	810
Stone Grey	Black, Polished Aluminium	2-3 weeks	8.90 kg	810
Vermilion Red*	Black, Polished Aluminium	2-3 weeks	8.90 kg	810
Bronze Green	Black, Polished Aluminium	2-3 weeks	8.90 kg	810
Soft Pink*	Black, Polished Aluminium	2-3 weeks	8.90 kg	810

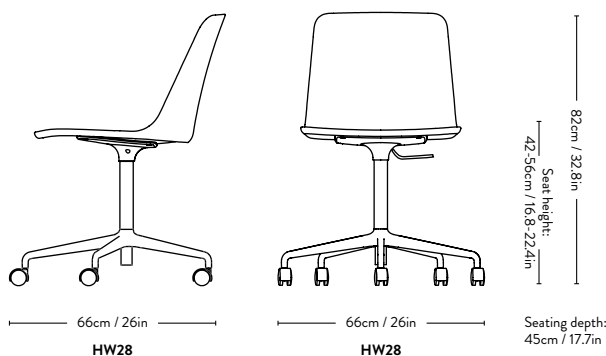


EU Ecolabel certified, validating high standards of durability, circular design, and responsible use of chemicals. Please contact our sales team for a list of EU Ecolabel compliant combinations.

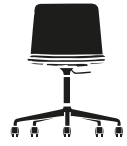
Material: Shell made from 100% recycled polypropylene with fiber glass, cast aluminium 5-star swivel base w. gaslift & castors.

*Available while stock lasts

Castors suitable for all floor types.



Rely ^{HW29} Hee Welling 2020



Fabric gr.	Shell	Seat Cushion Upholstery	Base	Lead time	Weight	PRICE EX. STATE TAX
Fabric gr. 1	Plastic	Grain, Hot Madison, Remix, Re-Wool	Black, Polished Aluminium	4-6 weeks	10.20 kg	1.035
Fabric gr. 2	Plastic	Barnum, Canvas, Fiord	Black, Polished Aluminium	4-6 weeks	10.20 kg	1.105
Fabric gr. 3	Plastic	Hallingdal, Mylla, Steelcut Quartet, Steelcut Trio	Black, Polished Aluminium	4-6 weeks	10.20 kg	1.125
Fabric gr. 4	Plastic	Acca, Beda, Cifrado, Ecriture, Vidar	Black, Polished Aluminium	4-6 weeks	10.20 kg	1.195
Fabric gr. 5	Plastic	Gentle, Karakorum, Sisu	Black, Polished Aluminium	4-6 weeks	10.20 kg	1.285
Fabric gr. 6	Plastic	Fuse	Black, Polished Aluminium	4-6 weeks	10.20 kg	1.440
Leather	Plastic	Tailor Semi-aniline leather	Black, Polished Aluminium	4-6 weeks	10.20 kg	1.125
Leather	Plastic	Noble Aniline leather	Black, Polished Aluminium	4-6 weeks	10.20 kg	1.195
Leather	Plastic	Elmosoft Semi-aniline leather	Black, Polished Aluminium	4-6 weeks	10.20 kg	1.260
COM	Plastic	Fabric	Black, Polished Aluminium	4-6 weeks	10.20 kg	1.035



EU Ecolabel certified, validating high standards of durability, circular design, and responsible use of chemicals. Please contact our sales team for a list of EU Ecolabel compliant combinations.



Made using FSC® certified wood, supporting responsible environmental, social and economical management of the world's forests. Visit www.fsc.org

Plastic shell variants

Black, White, Beige Sand, Red Brown, Light Blue, Stone Grey, Vermilion Red*, Bronze Green, Soft Pink*

Material: Shell made from 100% recycled polypropylene with fiber glass, seat covered in HR foam with fabric or leather upholstery, cast aluminium 5-star swivel base w. gaslift & castors.

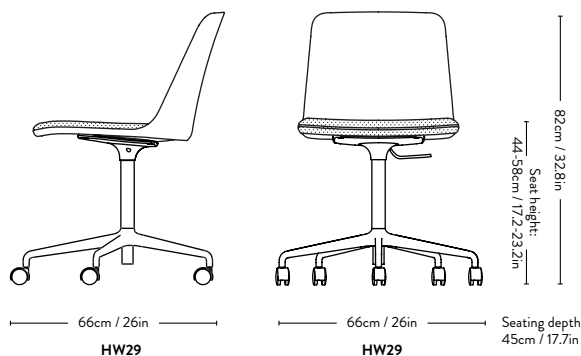
*Available while stock lasts

Castors suitable for all floor types.

Fabric usage: 0.8 meter based on a 140 cm roll.

Leather usage: 1 square meter based on a yield of 60% pr hide.

COM must be approved by &Tradition to ensure suitability for upholstery.



Rely ^{HW30} Hee Welling 2020



Fabric gr.	Upholstery	Base	Lead time	Weight	PRICE EX. STATE TAX
Fabric gr. 1	Grain, Hot Madison, Remix, Re-Wool	Black, Polished Aluminium	4-6 weeks	8.90 kg	1.170
Fabric gr. 2	Barnum, Canvas, Fiord	Black, Polished Aluminium	4-6 weeks	8.90 kg	1.305
Fabric gr. 3	Hallingdal, Mylla, Steelcut Quartet, Steelcut Trio	Black, Polished Aluminium	4-6 weeks	8.90 kg	1.350
Fabric gr. 4	Acca, Beda, Cifrado, Ecriture, Vidar	Black, Polished Aluminium	4-6 weeks	8.90 kg	1.465
Fabric gr. 5	Gentle, Karakorum, Sisu	Black, Polished Aluminium	4-6 weeks	8.90 kg	1.735
Fabric gr. 6	Fuse	Black, Polished Aluminium	4-6 weeks	8.90 kg	1.890
Leather	Tailor Semi-aniline leather	Black, Polished Aluminium	4-6 weeks	8.90 kg	1.530
Leather	Noble Aniline leather	Black, Polished Aluminium	4-6 weeks	8.90 kg	1.600
Leather	Elmosoft Semi-aniline leather	Black, Polished Aluminium	4-6 weeks	8.90 kg	1.710
COM	Fabric	Black, Polished Aluminium	4-6 weeks	8.90 kg	1.170



EU Ecolabel certified, validating high standards of durability, circular design, and responsible use of chemicals. Please contact our sales team for a list of EU Ecolabel compliant combinations.

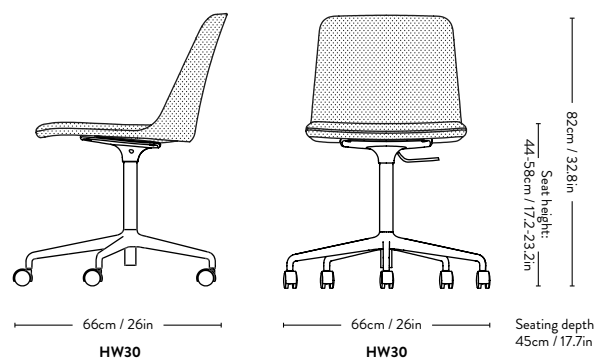
Material: Shell made from 100% recycled polypropylene with fiber glass, covered in HR foam with fabric or leather upholstery, cast aluminium 5-star swivel base w. gaslift & castors.

Castors suitable for all floor types.

Fabric usage: 1.7 meters based on a 140cm roll.

Leather usage: 1.7 square meters based on a yield of 60% pr hide.

COM must be approved by &Tradition to ensure suitability for upholstery.



Rely ^{HW31} Hee Welling 2020



Fabric gr.	Upholstery	Base	Lead time	Weight	PRICE EX. STATE TAX
Fabric gr. 1	Grain, Hot Madison, Remix, Re-Wool	Black, Polished Aluminium	4-6 weeks	10.50 kg	1.215
Fabric gr. 2	Barnum, Canvas, Fiord	Black, Polished Aluminium	4-6 weeks	10.50 kg	1.350
Fabric gr. 3	Hallingdal, Mylla, Steelcut Quartet, Steelcut Trio	Black, Polished Aluminium	4-6 weeks	10.50 kg	1.395
Fabric gr. 4	Acca, Beda, Cifrado, Ecriture, Vidar	Black, Polished Aluminium	4-6 weeks	10.50 kg	1.510
Fabric gr. 5	Gentle, Karakorum, Sisu	Black, Polished Aluminium	4-6 weeks	10.50 kg	1.780
Fabric gr. 6	Fuse	Black, Polished Aluminium	4-6 weeks	10.50 kg	1.960
Leather	Tailor Semi-aniline leather	Black, Polished Aluminium	4-6 weeks	10.50 kg	1.575
Leather	Noble Aniline leather	Black, Polished Aluminium	4-6 weeks	10.50 kg	1.645
Leather	Elmosoft Semi-aniline leather	Black, Polished Aluminium	4-6 weeks	10.50 kg	1.800
COM	Fabric	Black, Polished Aluminium	4-6 weeks	10.50 kg	1.215



EU Ecolabel certified, validating high standards of durability, circular design, and responsible use of chemicals. Please contact our sales team for a list of EU Ecolabel compliant combinations.

EU Ecolabel : DK/049/019



Made using FSC® certified wood, supporting responsible environmental, social and economical management of the world's forests. Visit www.fsc.org

The mark of responsible forestry

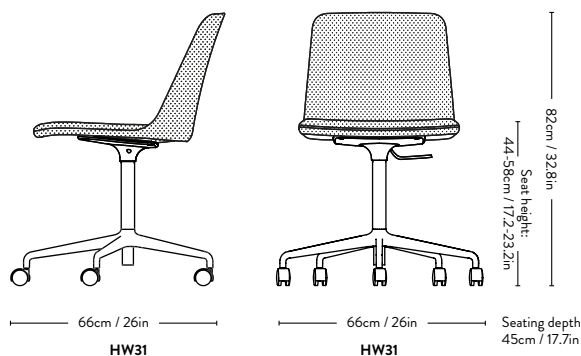
Material: Shell made from 100% recycled polypropylene with fiber glass, covered in HR foam with fabric or leather upholstery, cast aluminium 5-star swivel base w. gaslift & castors.

Castors suitable for all floor types.

Fabric usage: 1.4 meters based on a 140cm roll.

Leather usage: 1.7 square meters based on a yield of 60% pr hide.

COM must be approved by &Tradition to ensure suitability for upholstery.



Rely^{HW32} Hee Welling 2020



Please note that price is accumulated price of shell & seat.

Fabric gr.	Upholstery	Base	Lead time	Weight	PRICE EX. STATE TAX
Fabric gr. 1	Grain, Hot Madison, Remix, Re-Wool	Black, Polished Aluminium	4-6 weeks	10.50 kg	990
Fabric gr. 2	Barnum, Canvas, Fiord	Black, Polished Aluminium	4-6 weeks	10.50 kg	1.055
Fabric gr. 3	Hallingdal, Mylla, Steelcut Quartet, Steelcut Trio	Black, Polished Aluminium	4-6 weeks	10.50 kg	1.080
Fabric gr. 4	Acca, Beda, Cifrado, Ecriture, Vidar	Black, Polished Aluminium	4-6 weeks	10.50 kg	1.125
Fabric gr. 5	Gentle, Karakorum, Sisu	Black, Polished Aluminium	4-6 weeks	10.50 kg	1.305
Fabric gr. 6	Fuse	Black, Polished Aluminium	4-6 weeks	10.50 kg	1.440
Leather	Tailor Semi-aniline leather	Black, Polished Aluminium	4-6 weeks	10.50 kg	1.215
Leather	Noble Aniline leather	Black, Polished Aluminium	4-6 weeks	10.50 kg	1.260
Leather	Elmosoft Semi-aniline leather	Black, Polished Aluminium	4-6 weeks	10.50 kg	1.325
COM	Fabric	Black, Polished Aluminium	4-6 weeks	10.50 kg	990

Fabric gr.	Seat Upholstery	Lead time	PRICE EX. STATE TAX
Fabric gr. 1	Grain, Hot Madison, Remix, Re-Wool	4-6 weeks	225
Fabric gr. 2	Barnum, Canvas, Fiord	4-6 weeks	295
Fabric gr. 3	Hallingdal, Mylla, Steelcut Quartet, Steelcut Trio	4-6 weeks	315
Fabric gr. 4	Acca, Beda, Cifrado, Ecriture, Vidar	4-6 weeks	385
Fabric gr. 5	Gentle, Karakorum, Sisu	4-6 weeks	475
Fabric gr. 6	Fuse	4-6 weeks	520
Leather	Tailor Semi-aniline leather	4-6 weeks	360
Leather	Noble Aniline leather	4-6 weeks	385
Leather	Elmosoft Semi-aniline leather	4-6 weeks	475
COM	Fabric	4-6 weeks	225



Made using FSC® certified wood, supporting responsible environmental, social and economical management of the world's forests. Visit www.fsc.org

Material: Shell made from 100% recycled polypropylene with fiber glass, covered in HR foam with fabric or leather upholstery, cast aluminium 5-star swivel base w. gaslift & castors.

Castors suitable for all floor types.

Fabric usage: 1.9 meter (Shell: 1.2 meters / Seat: 0.7 meter) based on a 140 cm roll.

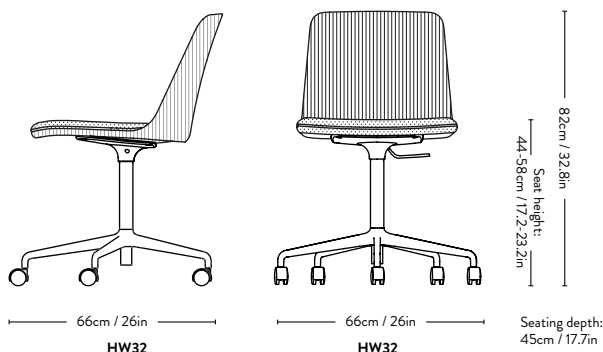
Leather usage: 2.5 square meters (Shell: 1.7 sqm / Seat: 0.8 sqm) based on a yield of 60% pr hide.

COM must be approved by &Tradition to ensure suitability for upholstery.

Minimum order quantity of same variant: 4 pcs.



EU Ecolabel certified, validating high standards of durability, circular design, and responsible use of chemicals. Please contact our sales team for a list of EU Ecolabel compliant combinations.



Rely^{HW33} Hee Welling 2021



Shell Variant	Base	Colli qty.	Lead time	Weight	PRICE EX. STATE TAX
Black	Black, Bronzed, Chrome	1 pc (4 pcs)	2-3 weeks	6.90 kg	475 450
White	Black, Bronzed, Chrome	1 pc (4 pcs)	2-3 weeks	6.90 kg	475 450
Beige Sand	Black, Bronzed, Chrome	1 pc (4 pcs)	2-3 weeks	6.90 kg	475 450
Red Brown	Black, Bronzed, Chrome	1 pc (4 pcs)	2-3 weeks	6.90 kg	475 450
Light Blue	Black, Bronzed, Chrome	1 pc (4 pcs)	2-3 weeks	6.90 kg	475 450
Stone Grey	Black, Bronzed, Chrome	1 pc (4 pcs)	2-3 weeks	6.90 kg	475 450
Vermilion Red*	Black, Bronzed, Chrome	1 pc (4 pcs)	2-3 weeks	6.90 kg	475 450
Bronze Green	Black, Bronzed, Chrome	1 pc (4 pcs)	2-3 weeks	6.90 kg	475 450
Soft Pink*	Black, Bronzed, Chrome	1 pc (4 pcs)	2-3 weeks	6.90 kg	475 450

Product no.	Product	Variant	Lead time	PRICE EX. STATE TAX
145307	Plastic gliders for Drawn, Elefy w. wood base, Rely w. tube (ex. stacking) & wood base, Muno, and Meantime Lounge Chairs, 4 pcs	Black	Stock item	20
145308	Felt gliders for Drawn, Elefy w. wood base, Rely w. tube (ex. stacking) & wood base, Muno, and Meantime Lounge Chairs, 4 pcs	Black	Stock item	20

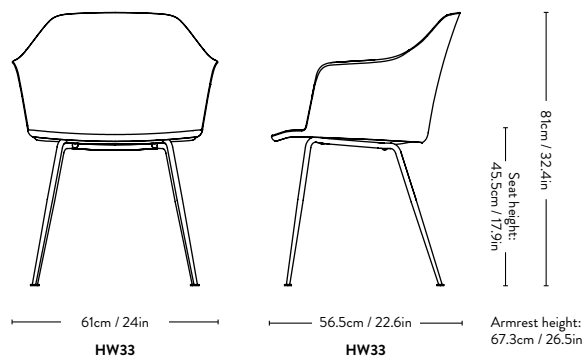


EU Ecolabel certified, validating high standards of durability, circular design, and responsible use of chemicals. Please contact our sales team for a list of EU Ecolabel compliant combinations.

Material: Shell made from 100% recycled polypropylene with fiber glass and a steel tube base.

*Available while stock lasts

Plastic gliders installed as standard. Felt gliders available upon request.



Rely^{HW34} Hee Welling 2021



Fabric gr.	Shell	Seat Cushion Upholstery	Base	Lead time	Weight	PRICE EX. STATE TAX
Fabric gr. 1	Plastic	Grain, Hot Madison, Remix, Re-Wool	Black, Bronzed, Chrome	4-6 weeks	8.10 kg	745
Fabric gr. 2	Plastic	Barnum, Canvas, Fiord	Black, Bronzed, Chrome	4-6 weeks	8.10 kg	810
Fabric gr. 3	Plastic	Hallingdal, Mylla, Steelcut Quartet, Steelcut Trio	Black, Bronzed, Chrome	4-6 weeks	8.10 kg	835
Fabric gr. 4	Plastic	Acca, Cifrado, Ecriture, Vidar	Black, Bronzed, Chrome	4-6 weeks	8.10 kg	900
Fabric gr. 5	Plastic	Gentle, Karakorum, Sisu	Black, Bronzed, Chrome	4-6 weeks	8.10 kg	990
Fabric gr. 6	Plastic	Fuse	Black, Bronzed, Chrome	4-6 weeks	8.10 kg	1080
Leather	Plastic	Tailor Semi-aniline leather	Black, Bronzed, Chrome	4-6 weeks	8.10 kg	835
Leather	Plastic	Noble Aniline leather	Black, Bronzed, Chrome	4-6 weeks	8.10 kg	900
Leather	Plastic	Elmosoft Semi-aniline leather	Black, Bronzed, Chrome	4-6 weeks	8.10 kg	970
COM	Plastic	Fabric	Black, Bronzed, Chrome	4-6 weeks	8.10 kg	745

Product no.	Product	Variant	Lead time	PRICE EX. STATE TAX
145307	Plastic gliders for Drawn, Elefy w. wood base, Rely w. tube (ex. stacking) & wood base, Muno, and Meantime Lounge Chairs, 4 pcs	Black	Stock item	20
145308	Felt gliders for Drawn, Elefy w. wood base, Rely w. tube (ex. stacking) & wood base, Muno, and Meantime Lounge Chairs, 4 pcs	Black	Stock item	20



EU Ecolabel certified, validating high standards of durability, circular design, and responsible use of chemicals. Please contact our sales team for a list of EU Ecolabel compliant combinations.

EU Ecolabel | DK/049/019



Made using FSC® certified wood, supporting responsible environmental, social and economical management of the world's forests. Visit www.fsc.org

The mark of responsible forestry

Plastic shell variants

Black, White, Beige Sand, Red Brown, Light Blue, Stone Grey, Vermilion Red*, Bronze Green, Soft Pink*

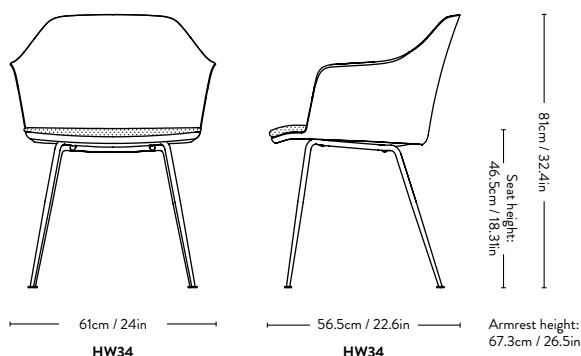
Material: Shell made from 100% recycled polypropylene with fiber glass, HR foam seat covered with fabric or leather upholstery, steel tube base.

*Available while stock lasts

Fabric usage: 0.8 meter based on a 140 cm roll.

Leather usage: 1 square meter based on a yield of 60% pr hide.

COM must be approved by &Tradition to ensure suitability for upholstery. Plastic gliders installed as standard. Felt gliders available upon request.



Rely ^{HW35} Hee Welling 2021



Fabric gr.	Upholstery	Base	Lead time	Weight	PRICE EX. STATE TAX
Fabric gr. 1	Grain, Hot Madison, Remix, Re-Wool	Black, Bronzed, Chrome	4-6 weeks	7.30 kg	970
Fabric gr. 2	Barnum, Canvas, Fiord	Black, Bronzed, Chrome	4-6 weeks	7.30 kg	1.105
Fabric gr. 3	Hallingdal, Mylla, Steelcut Quartet, Steelcut Trio	Black, Bronzed, Chrome	4-6 weeks	7.30 kg	1.150
Fabric gr. 4	Acca, Cifrado, Ecriture, Vidar	Black, Bronzed, Chrome	4-6 weeks	7.30 kg	1.285
Fabric gr. 5	Gentle, Karakorum, Sisu	Black, Bronzed, Chrome	4-6 weeks	7.30 kg	1.555
Fabric gr. 6	Fuse	Black, Bronzed, Chrome	4-6 weeks	7.30 kg	1.710
Leather	Tailor Semi-aniline leather	Black, Bronzed, Chrome	4-6 weeks	7.30 kg	1.350
Leather	Noble Aniline leather	Black, Bronzed, Chrome	4-6 weeks	7.30 kg	1.620
Leather	Elmosoft Semi-aniline leather	Black, Bronzed, Chrome	4-6 weeks	7.30 kg	1.780
COM	Fabric	Black, Bronzed, Chrome	4-6 weeks	7.30 kg	970

Product no.	Product	Variant	Lead time	PRICE EX. STATE TAX
145307	Plastic gliders for Drawn, Elefy w. wood base, Rely w. tube (ex. stacking) & wood base, Muno, and Meantime Lounge Chairs, 4 pcs	Black	Stock item	20
145308	Felt gliders for Drawn, Elefy w. wood base, Rely w. tube (ex. stacking) & wood base, Muno, and Meantime Lounge Chairs, 4 pcs	Black	Stock item	20



EU Ecolabel certified, validating high standards of durability, circular design, and responsible use of chemicals. Please contact our sales team for a list of EU Ecolabel compliant combinations.

Material: Shell made from 100% recycled polypropylene with fiber glass, covered with HR foam with fabric or leather upholstery, steel tube base.

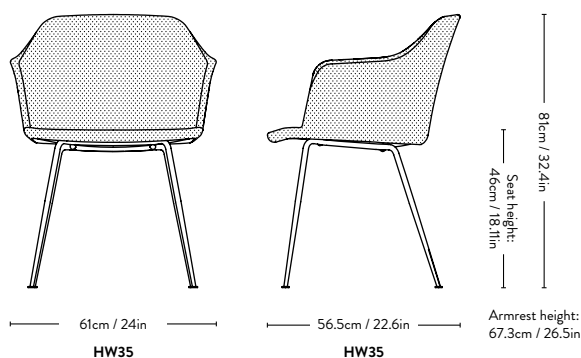
Fabric usage: 1.5 meters based on 140cm roll.

Leather usage: 2.8 square meters based on a yield of 60% pr hide.

COM must be approved by &Tradition to ensure suitability for upholstery.

Plastic gliders installed as standard.

Felt gliders available upon request.



Rely ^{HW36} Hee Welling 2021



Fabric gr.	Upholstery	Base	Lead time	Weight	PRICE EX. STATE TAX
Fabric gr. 1	Grain, Hot Madison, Remix, Re-Wool	Black, Bronzed, Chrome	4-6 weeks	8.40 kg	1.035
Fabric gr. 2	Barnum, Canvas, Fiord	Black, Bronzed, Chrome	4-6 weeks	8.40 kg	1.170
Fabric gr. 3	Hallingdal, Mylla, Steelcut Quartet, Steelcut Trio	Black, Bronzed, Chrome	4-6 weeks	8.40 kg	1.215
Fabric gr. 4	Acca, Cifrado, Ecriture, Vidar	Black, Bronzed, Chrome	4-6 weeks	8.40 kg	1.350
Fabric gr. 5	Gentle, Karakorum, Sisu	Black, Bronzed, Chrome	4-6 weeks	8.40 kg	1.620
Fabric gr. 6	Fuse	Black, Bronzed, Chrome	4-6 weeks	8.40 kg	1.780
Leather	Tailor Semi-aniline leather	Black, Bronzed, Chrome	4-6 weeks	8.40 kg	1.420
Leather	Noble Aniline leather	Black, Bronzed, Chrome	4-6 weeks	8.40 kg	1.690
Leather	Elmosoft Semi-aniline leather	Black, Bronzed, Chrome	4-6 weeks	8.40 kg	1.890
COM	Fabric	Black, Bronzed, Chrome	4-6 weeks	8.40 kg	1.035

Product no.	Product	Variant	Lead time	PRICE EX. STATE TAX
145307	Plastic gliders for Drawn, Elefy w. wood base, Rely w. tube (ex. stacking) & wood base, Muno, and Meantime Lounge Chairs, 4 pcs	Black	Stock item	20
145308	Felt gliders for Drawn, Elefy w. wood base, Rely w. tube (ex. stacking) & wood base, Muno, and Meantime Lounge Chairs, 4 pcs	Black	Stock item	20



EU Ecolabel : DK/049/019

EU Ecolabel certified, validating high standards of durability, circular design, and responsible use of chemicals. Please contact our sales team for a list of EU Ecolabel compliant combinations.



The mark of responsible forestry

Made using FSC® certified wood, supporting responsible environmental, social and economical management of the world's forests. Visit www.fsc.org

Material: Shell made from 100% recycled polypropylene with fiber glass, covered with HR foam with fabric or leather upholstery, steel tube base.

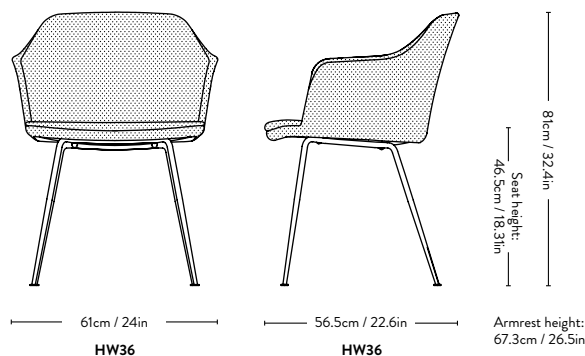
Fabric usage: 1.5 meters based on 140cm roll.

Leather usage: 2.8 square meters based on a yield of 60% pr hide.

COM must be approved by &Tradition to ensure suitability for upholstery.

Plastic gliders installed as standard.

Felt gliders available upon request.



Rely ^{HW37} Hee Welling 2021



Please note that price is accumulated price of shell & seat.

Fabric gr.	Upholstery	Base	Lead time	Weight	PRICE EX. STATE TAX
Fabric gr. 1	Grain, Hot Madison, Remix, Re-Wool	Black, Bronzed, Chrome	4-6 weeks	8.40 kg	810
Fabric gr. 2	Barnum, Canvas, Fiord	Black, Bronzed, Chrome	4-6 weeks	8.40 kg	875
Fabric gr. 3	Hallingdal, Mylla, Steelcut Quartet, Steelcut Trio	Black, Bronzed, Chrome	4-6 weeks	8.40 kg	900
Fabric gr. 4	Acca, Cifrado, Ecriture, Vidar	Black, Bronzed, Chrome	4-6 weeks	8.40 kg	965
Fabric gr. 5	Gentle, Karakorum, Sisu	Black, Bronzed, Chrome	4-6 weeks	8.40 kg	1.145
Fabric gr. 6	Fuse	Black, Bronzed, Chrome	4-6 weeks	8.40 kg	1.260
Leather	Tailor Semi-aniline leather	Black, Bronzed, Chrome	4-6 weeks	8.40 kg	1.060
Leather	Noble Aniline leather	Black, Bronzed, Chrome	4-6 weeks	8.40 kg	1.305
Leather	Elmosoft Semi-aniline leather	Black, Bronzed, Chrome	4-6 weeks	8.40 kg	1.415
COM	Fabric	Black, Bronzed, Chrome	4-6 weeks	8.40 kg	810

Fabric gr.	Seat Upholstery	Lead time	PRICE EX. STATE TAX
Fabric gr. 1	Grain, Hot Madison, Remix, Re-Wool	4-6 weeks	225
Fabric gr. 2	Barnum, Canvas, Fiord	4-6 weeks	295
Fabric gr. 3	Hallingdal, Mylla, Steelcut Quartet, Steelcut Trio	4-6 weeks	315
Fabric gr. 4	Acca, Cifrado, Ecriture, Vidar	4-6 weeks	385
Fabric gr. 5	Gentle, Karakorum, Sisu	4-6 weeks	475
Fabric gr. 6	Fuse	4-6 weeks	520
Leather	Tailor Semi-aniline leather	4-6 weeks	360
Leather	Noble Aniline leather	4-6 weeks	385
Leather	Elmosoft Semi-aniline leather	4-6 weeks	475
COM	Fabric	4-6 weeks	225

Rely ^{HW37} Hee Welling 2021



Product no.	Product	Variant	Lead time	PRICE EX. STATE TAX
145307	Plastic gliders for Drawn, Elefy w. wood base, Rely w. tube (ex. stacking) & wood base, Muno, and Meantime Lounge Chairs, 4 pcs	Black	Stock item	20
145308	Felt gliders for Drawn, Elefy w. wood base, Rely w. tube (ex. stacking) & wood base, Muno, and Meantime Lounge Chairs, 4 pcs	Black	Stock item	20



EU Ecolabel certified, validating high standards of durability, circular design, and responsible use of chemicals. Please contact our sales team for a list of EU Ecolabel compliant combinations.



Made using FSC® certified wood, supporting responsible environmental, social and economical management of the world's forests. Visit www.fsc.org

Material: Shell made from 100% recycled polypropylene with fiber glass, covered with HR foam with fabric or leather upholstery, steel tube base.

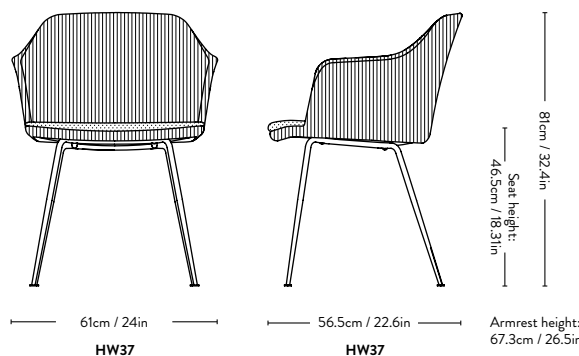
Fabric usage: 2.3 meter (Shell: 1.5 meters / Seat: 0.8 meter) based on a 140 cm roll.

Leather usage: 3.4 square meters (Shell: 2.6 sqm / Seat: 0.8 sqm) based on a yield of 60% pr hide.

COM must be approved by &Tradition to ensure suitability for upholstery.

Plastic gliders installed as standard.
Felt gliders available upon request.

Minimum order quantity of same variant: 4 pcs.



Rely^{HW38} Hee Welling 2021

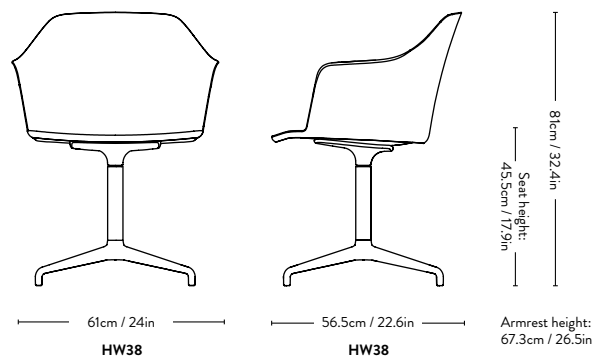


Shell Variant	Base	Lead time	Weight	PRICE EX. STATE TAX
Black	Black, Bronzed, Polished Aluminium	2-3 weeks	9.40 kg	630
White	Black, Bronzed, Polished Aluminium	2-3 weeks	9.40 kg	630
Beige Sand	Black, Bronzed, Polished Aluminium	2-3 weeks	9.40 kg	630
Red Brown	Black, Bronzed, Polished Aluminium	2-3 weeks	9.40 kg	630
Light Blue	Black, Bronzed, Polished Aluminium	2-3 weeks	9.40 kg	630
Stone Grey	Black, Bronzed, Polished Aluminium	2-3 weeks	9.40 kg	630
Vermilion Red*	Black, Bronzed, Polished Aluminium	2-3 weeks	9.40 kg	630
Bronze Green	Black, Bronzed, Polished Aluminium	2-3 weeks	9.40 kg	630
Soft Pink*	Black, Bronzed, Polished Aluminium	2-3 weeks	9.40 kg	630

Material: Shell made from 100% recycled polypropylene with fiber glass and an aluminium swivel base.

*Available while stock lasts

Plastic gliders installed as standard.
Felt gliders available upon request.



Rely^{HW39} Hee Welling 2021



Fabric gr.	Shell	Seat Cushion Upholstery	Base	Lead time	Weight	PRICE EX. STATE TAX
Fabric gr. 1	Plastic	Grain, Hot Madison, Remix, Re-Wool	Black, Bronzed, Polished Aluminium	4-6 weeks	10.70 kg	945
Fabric gr. 2	Plastic	Barnum, Canvas, Fiord	Black, Bronzed, Polished Aluminium	4-6 weeks	10.70 kg	1.015
Fabric gr. 3	Plastic	Hallingdal, Mylla, Steelcut Quartet, Steelcut Trio	Black, Bronzed, Polished Aluminium	4-6 weeks	10.70 kg	1.035
Fabric gr. 4	Plastic	Acca, Cifrado, Ecriture, Vidar	Black, Bronzed, Polished Aluminium	4-6 weeks	10.70 kg	1.105
Fabric gr. 5	Plastic	Gentle, Karakorum, Sisu	Black, Bronzed, Polished Aluminium	4-6 weeks	10.70 kg	1.195
Fabric gr. 6	Plastic	Fuse	Black, Bronzed, Polished Aluminium	4-6 weeks	10.70 kg	1.305
Leather	Plastic	Tailor Semi-aniline leather	Black, Bronzed, Polished Aluminium	4-6 weeks	10.70 kg	1.035
Leather	Plastic	Noble Aniline leather	Black, Bronzed, Polished Aluminium	4-6 weeks	10.70 kg	1.105
Leather	Plastic	Elmosoft Semi-aniline leather	Black, Bronzed, Polished Aluminium	4-6 weeks	10.70 kg	1.170
COM	Plastic	Fabric	Black, Bronzed, Polished Aluminium	4-6 weeks	10.70 kg	945



Made using FSC® certified wood, supporting responsible environmental, social and economical management of the world's forests. Visit www.fsc.org

Plastic shell variants

Black, White, Beige Sand, Red Brown, Light Blue, Stone Grey, Vermilion Red*, Bronze Green, Soft Pink*

Material: Shell made from 100% recycled polypropylene with fiber glass, HR foam seat covered with fabric or leather upholstery, aluminium swivel base.

*Available while stock lasts

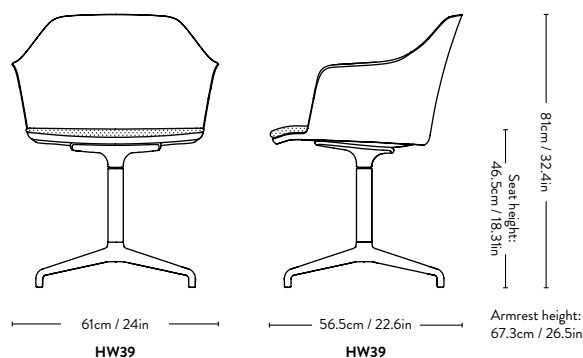
Fabric usage: 0.8 meter based on a 140 cm roll.

Leather usage: 1 square meter based on a yield of 60% pr hide.

COM must be approved by &Tradition to ensure suitability for upholstery.

Plastic gliders installed as standard.

Felt gliders available upon request.



Rely^{HW40} Hee Welling 2021



Fabric gr.	Upholstery	Base	Lead time	Weight	PRICE EX. STATE TAX
Fabric gr. 1	Grain, Hot Madison, Remix, Re-Wool	Black, Bronzed, Polished Aluminium	4-6 weeks	9.90 kg	1.125
Fabric gr. 2	Barnum, Canvas, Fiord	Black, Bronzed, Polished Aluminium	4-6 weeks	9.90 kg	1.260
Fabric gr. 3	Hallingdal, Mylla, Steelcut Quartet, Steelcut Trio	Black, Bronzed, Polished Aluminium	4-6 weeks	9.90 kg	1.305
Fabric gr. 4	Acca, Cifrado, Ecriture, Vidar	Black, Bronzed, Polished Aluminium	4-6 weeks	9.90 kg	1.440
Fabric gr. 5	Gentle, Karakorum, Sisu	Black, Bronzed, Polished Aluminium	4-6 weeks	9.90 kg	1.710
Fabric gr. 6	Fuse	Black, Bronzed, Polished Aluminium	4-6 weeks	9.90 kg	1.915
Leather	Tailor Semi-aniline leather	Black, Bronzed, Polished Aluminium	4-6 weeks	9.90 kg	1.510
Leather	Noble Aniline leather	Black, Bronzed, Polished Aluminium	4-6 weeks	9.90 kg	1.780
Leather	Elmosoft Semi-aniline leather	Black, Bronzed, Polished Aluminium	4-6 weeks	9.90 kg	1.935
COM	Fabric	Black, Bronzed, Polished Aluminium	4-6 weeks	9.90 kg	1.125

Material: Shell made from 100% recycled polypropylene with fiber glass, covered with HR foam with fabric or leather upholstery, aluminium swivel base.

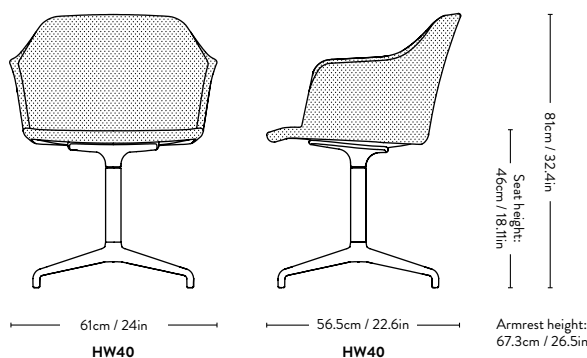
Fabric usage: 1.5 meters based on 140cm roll.

Leather usage: 2.8 square meters based on a yield of 60% pr hide.

Plastic gliders installed as standard.

Felt gliders available upon request.

COM must be approved by &Tradition to ensure suitability for upholstery.



Rely ^{HW41} Hee Welling 2021



Fabric gr.	Upholstery	Base	Lead time	Weight	PRICE EX. STATE TAX
Fabric gr. 1	Grain, Hot Madison, Remix, Re-Wool	Black, Bronzed, Polished Aluminium	4-6 weeks	11.00 kg	1.195
Fabric gr. 2	Barnum, Canvas, Fiord	Black, Bronzed, Polished Aluminium	4-6 weeks	11.00 kg	1.330
Fabric gr. 3	Hallingdal, Mylla, Steelcut Quartet, Steelcut Trio	Black, Bronzed, Polished Aluminium	4-6 weeks	11.00 kg	1.375
Fabric gr. 4	Acca, Cifrado, Ecriture, Vidar	Black, Bronzed, Polished Aluminium	4-6 weeks	11.00 kg	1.510
Fabric gr. 5	Gentle, Karakorum, Sisu	Black, Bronzed, Polished Aluminium	4-6 weeks	11.00 kg	1.780
Fabric gr. 6	Fuse	Black, Bronzed, Polished Aluminium	4-6 weeks	11.00 kg	1.960
Leather	Tailor Semi-aniline leather	Black, Bronzed, Polished Aluminium	4-6 weeks	11.00 kg	1.575
Leather	Noble Aniline leather	Black, Bronzed, Polished Aluminium	4-6 weeks	11.00 kg	1.845
Leather	Elmosoft Semi-aniline leather	Black, Bronzed, Polished Aluminium	4-6 weeks	11.00 kg	2.050
COM	Fabric	Black, Bronzed, Polished Aluminium	4-6 weeks	11.00 kg	1.195



Made using FSC® certified wood, supporting responsible environmental, social and economical management of the world's forests. Visit www.fsc.org

Material: Shell made from 100% recycled polypropylene with fiber glass, covered with HR foam with fabric or leather upholstery, aluminium swivel base.

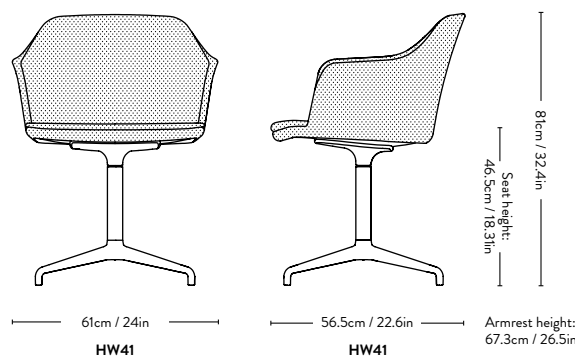
Fabric usage: 1.5 meters based on 140cm roll.

Leather usage: 2.8 square meters based on a yield of 60% pr hide.

Plastic gliders installed as standard.

Felt gliders available upon request.

COM must be approved by &Tradition to ensure suitability for upholstery.



Rely^{HW42} Hee Welling 2021



Please note that price is accumulated price of shell & seat.

Fabric gr.	Upholstery	Base	Lead time	Weight	PRICE EX. STATE TAX
Fabric gr. 1	Grain, Hot Madison, Remix, Re-Wool	Black, Bronzed, Polished Aluminium	4-6 weeks	11.00 kg	970
Fabric gr. 2	Barnum, Canvas, Fiord	Black, Bronzed, Polished Aluminium	4-6 weeks	11.00 kg	1.035
Fabric gr. 3	Hallingdal, Mylla, Steelcut Quartet, Steelcut Trio	Black, Bronzed, Polished Aluminium	4-6 weeks	11.00 kg	1.060
Fabric gr. 4	Acca, Cifrado, Ecriture, Vidar	Black, Bronzed, Polished Aluminium	4-6 weeks	11.00 kg	1.125
Fabric gr. 5	Gentle, Karakorum, Sisu	Black, Bronzed, Polished Aluminium	4-6 weeks	11.00 kg	1.305
Fabric gr. 6	Fuse	Black, Bronzed, Polished Aluminium	4-6 weeks	11.00 kg	1.440
Leather	Tailor Semi-aniline leather	Black, Bronzed, Polished Aluminium	4-6 weeks	11.00 kg	1.215
Leather	Noble Aniline leather	Black, Bronzed, Polished Aluminium	4-6 weeks	11.00 kg	1.460
Leather	Elmosoft Semi-aniline leather	Black, Bronzed, Polished Aluminium	4-6 weeks	11.00 kg	1.575
COM	Fabric	Black, Bronzed, Polished Aluminium	4-6 weeks	11.00 kg	970

Fabric gr.	Seat Upholstery	Lead time	PRICE EX. STATE TAX
Fabric gr. 1	Grain, Hot Madison, Remix, Re-Wool	4-6 weeks 11.00 kg	225
Fabric gr. 2	Barnum, Canvas, Fiord	4-6 weeks 11.00 kg	295
Fabric gr. 3	Hallingdal, Mylla, Steelcut Quartet, Steelcut Trio	4-6 weeks 11.00 kg	315
Fabric gr. 4	Acca, Cifrado, Ecriture, Vidar	4-6 weeks 11.00 kg	385
Fabric gr. 5	Gentle, Karakorum, Sisu	4-6 weeks 11.00 kg	475
Fabric gr. 6	Fuse	4-6 weeks 11.00 kg	520
Leather	Tailor Semi-aniline leather	4-6 weeks 11.00 kg	360
Leather	Noble Aniline leather	4-6 weeks 11.00 kg	385
Leather	Elmosoft Semi-aniline leather	4-6 weeks 11.00 kg	475
COM	Fabric	4-6 weeks 11.00 kg	225



Made using FSC® certified wood, supporting responsible environmental, social and economical management of the world's forests. Visit www.fsc.org

Material: Shell made from 100% recycled polypropylene with fiber glass, covered with HR foam with fabric or leather upholstery, aluminium swivel base.

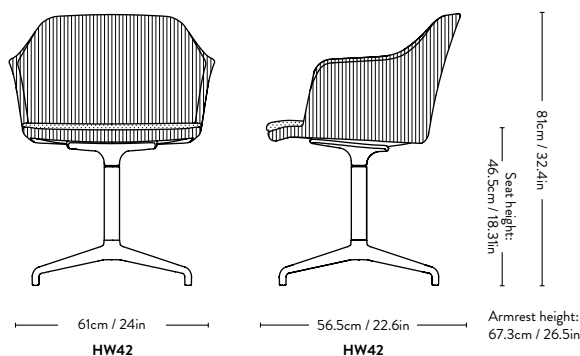
Fabric usage: 2.3 meter (Shell: 1.5 meters / Seat: 0.8 meter) based on a 140 cm roll.

Leather usage: 3.4 square meters (Shell: 2.6 sqm / Seat: 0.8 sqm) based on a yield of 60% pr hide.

Plastic gliders installed as standard.
Felt gliders available upon request.

COM must be approved by &Tradition to ensure suitability for upholstery.

Minimum order quantity of same variant: 4 pcs.



Rely ^{HW43} Hee Welling 2021

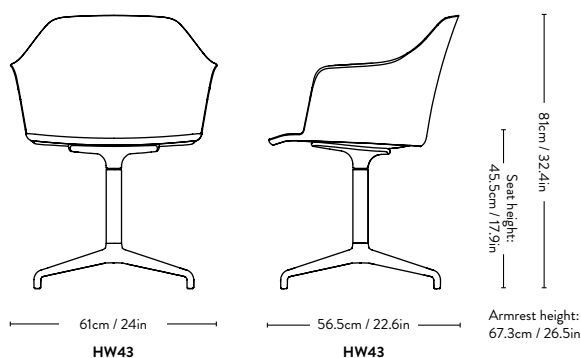


Shell Variant	Base	Lead time	Weight	PRICE EX. STATE TAX
Black	Black, Bronzed, Polished Aluminium	2-3 weeks	9.40 kg	720
White	Black, Bronzed, Polished Aluminium	2-3 weeks	9.40 kg	720
Beige Sand	Black, Bronzed, Polished Aluminium	2-3 weeks	9.40 kg	720
Red Brown	Black, Bronzed, Polished Aluminium	2-3 weeks	9.40 kg	720
Light Blue	Black, Bronzed, Polished Aluminium	2-3 weeks	9.40 kg	720
Stone Grey	Black, Bronzed, Polished Aluminium	2-3 weeks	9.40 kg	720
Vermilion Red*	Black, Bronzed, Polished Aluminium	2-3 weeks	9.40 kg	720
Bronze Green	Black, Bronzed, Polished Aluminium	2-3 weeks	9.40 kg	720
Soft Pink*	Black, Bronzed, Polished Aluminium	2-3 weeks	9.40 kg	720

Material: Shell made from 100% recycled polypropylene with fiber glass and an aluminium swivel base w. return function.

*Available while stock lasts

Plastic gliders installed as standard.
Felt gliders available upon request.



Rely^{HW44} Hee Welling 2021



Fabric gr.	Shell	Seat Cushion Upholstery	Base	Lead time	Weight	PRICE EX. STATE TAX
Fabric gr. 1	Plastic	Grain, Hot Madison, Remix, Re-Wool	Black, Bronzed, Polished Aluminium	4-6 weeks	10.70 kg	1.035
Fabric gr. 2	Plastic	Barnum, Canvas, Fiord	Black, Bronzed, Polished Aluminium	4-6 weeks	10.70 kg	1.105
Fabric gr. 3	Plastic	Hallingdal, Mylla, Steelcut Quartet, Steelcut Trio	Black, Bronzed, Polished Aluminium	4-6 weeks	10.70 kg	1.125
Fabric gr. 4	Plastic	Acca, Cifrado, Ecriture, Vidar	Black, Bronzed, Polished Aluminium	4-6 weeks	10.70 kg	1.195
Fabric gr. 5	Plastic	Gentle, Karakorum, Sisu	Black, Bronzed, Polished Aluminium	4-6 weeks	10.70 kg	1.285
Fabric gr. 6	Plastic	Fuse	Black, Bronzed, Polished Aluminium	4-6 weeks	10.70 kg	1.420
Leather	Plastic	Tailor Semi-aniline leather	Black, Bronzed, Polished Aluminium	4-6 weeks	10.70 kg	1.125
Leather	Plastic	Noble Aniline leather	Black, Bronzed, Polished Aluminium	4-6 weeks	10.70 kg	1.195
Leather	Plastic	Elmosoft Semi-aniline leather	Black, Bronzed, Polished Aluminium	4-6 weeks	10.70 kg	1.260
COM	Plastic	Fabric	Black, Bronzed, Polished Aluminium	4-6 weeks	10.70 kg	1.035



Made using FSC® certified wood, supporting responsible environmental, social and economical management of the world's forests. Visit www.fsc.org

Plastic shell variants

Black, White, Beige Sand, Red Brown, Light Blue, Stone Grey, Vermilion Red*, Bronze Green, Soft Pink*

Material: Shell made from 100% recycled polypropylene with fiber glass, HR foam seat covered with fabric or leather upholstery, aluminium swivel base w. return function.

*Available while stock lasts

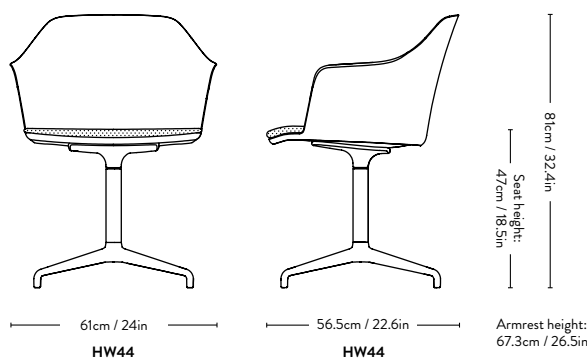
Fabric usage: 0.8 meter based on a 140 cm roll.

Leather usage: 1 square meter based on a yield of 60% pr hide.

COM must be approved by &Tradition to ensure suitability for upholstery.

Plastic gliders installed as standard.

Felt gliders available upon request.



Rely^{HW45} Hee Welling 2021



Fabric gr.	Upholstery	Base	Lead time	Weight	PRICE EX. STATE TAX
Fabric gr. 1	Grain, Hot Madison, Remix, Re-Wool	Black, Bronzed, Polished Aluminium	4-6 weeks	9.90 kg	1.215
Fabric gr. 2	Barnum, Canvas, Fiord	Black, Bronzed, Polished Aluminium	4-6 weeks	9.90 kg	1.350
Fabric gr. 3	Hallingdal, Mylla, Steelcut Quartet, Steelcut Trio	Black, Bronzed, Polished Aluminium	4-6 weeks	9.90 kg	1.395
Fabric gr. 4	Acca, Cifrado, Ecriture, Vidar	Black, Bronzed, Polished Aluminium	4-6 weeks	9.90 kg	1.530
Fabric gr. 5	Gentle, Karakorum, Sisu	Black, Bronzed, Polished Aluminium	4-6 weeks	9.90 kg	1.800
Fabric gr. 6	Fuse	Black, Bronzed, Polished Aluminium	4-6 weeks	9.90 kg	1.980
Leather	Tailor Semi-aniline leather	Black, Bronzed, Polished Aluminium	4-6 weeks	9.90 kg	1.600
Leather	Noble Aniline leather	Black, Bronzed, Polished Aluminium	4-6 weeks	9.90 kg	1.870
Leather	Elmosoft Semi-aniline leather	Black, Bronzed, Polished Aluminium	4-6 weeks	9.90 kg	2.025
COM	Fabric	Black, Bronzed, Polished Aluminium	4-6 weeks	9.90 kg	1.215

Material: Shell made from 100% recycled polypropylene with fiber glass, covered with HR foam with fabric or leather upholstery, aluminium swivel base with return.

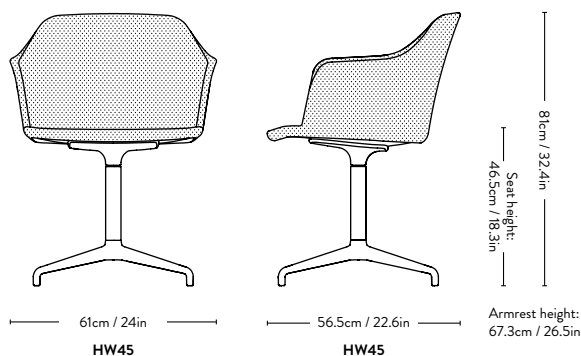
Fabric usage: 1.5 meters based on 140cm roll.

Leather usage: 2.8 square meters based on a yield of 60% pr hide.

Plastic gliders installed as standard.

Felt gliders available upon request.

COM must be approved by &Tradition to ensure suitability for upholstery.



Rely^{HW46} Hee Welling 2021



Fabric gr.	Upholstery	Base	Lead time	Weight	PRICE EX. STATE TAX
Fabric gr. 1	Grain, Hot Madison, Remix, Re-Wool	Black, Bronzed, Polished Aluminium	4-6 weeks	11.00 kg	1.285
Fabric gr. 2	Barnum, Canvas, Fiord	Black, Bronzed, Polished Aluminium	4-6 weeks	11.00 kg	1.420
Fabric gr. 3	Hallingdal, Mylla, Steelcut Quartet, Steelcut Trio	Black, Bronzed, Polished Aluminium	4-6 weeks	11.00 kg	1.465
Fabric gr. 4	Acca, Cifrado, Ecriture, Vidar	Black, Bronzed, Polished Aluminium	4-6 weeks	11.00 kg	1.600
Fabric gr. 5	Gentle, Karakorum, Sisu	Black, Bronzed, Polished Aluminium	4-6 weeks	11.00 kg	1.870
Fabric gr. 6	Fuse	Black, Bronzed, Polished Aluminium	4-6 weeks	11.00 kg	2.050
Leather	Tailor Semi-aniline leather	Black, Bronzed, Polished Aluminium	4-6 weeks	11.00 kg	1.665
Leather	Noble Aniline leather	Black, Bronzed, Polished Aluminium	4-6 weeks	11.00 kg	1.935
Leather	Elmosoft Semi-aniline leather	Black, Bronzed, Polished Aluminium	4-6 weeks	11.00 kg	2.140
COM	Fabric	Black, Bronzed, Polished Aluminium	4-6 weeks	11.00 kg	1.285



Made using FSC® certified wood, supporting responsible environmental, social and economical management of the world's forests. Visit www.fsc.org

Material: Shell made from 100% recycled polypropylene with fiber glass, covered with HR foam with fabric or leather upholstery, aluminium swivel base with return.

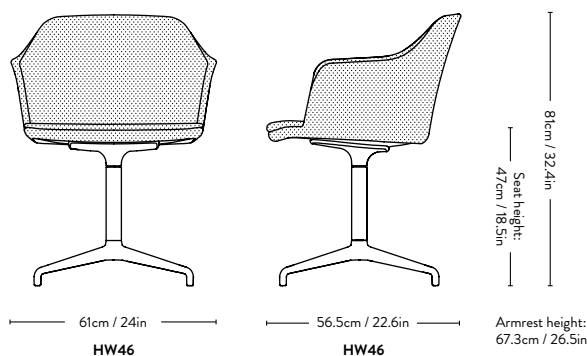
Fabric usage: 1.5 meters based on 140cm roll.

Leather usage: 2.8 square meters based on a yield of 60% pr hide.

Plastic gliders installed as standard.

Felt gliders available upon request.

COM must be approved by &Tradition to ensure suitability for upholstery.



Rely^{HW47} Hee Welling 2021



Please note that price is accumulated price of shell & seat.

Fabric gr.	Upholstery	Base	Lead time	Weight	PRICE EX. STATE TAX
Fabric gr. 1	Grain, Hot Madison, Remix, Re-Wool	Black, Bronzed, Polished Aluminium	4-6 weeks	11.00 kg	1.060
Fabric gr. 2	Barnum, Canvas, Fiord	Black, Bronzed, Polished Aluminium	4-6 weeks	11.00 kg	1.125
Fabric gr. 3	Hallingdal, Mylla, Steelcut Quartet, Steelcut Trio	Black, Bronzed, Polished Aluminium	4-6 weeks	11.00 kg	1.150
Fabric gr. 4	Acca, Cifrado, Ecriture, Vidar	Black, Bronzed, Polished Aluminium	4-6 weeks	11.00 kg	1.215
Fabric gr. 5	Gentle, Karakorum, Sisu	Black, Bronzed, Polished Aluminium	4-6 weeks	11.00 kg	1.395
Fabric gr. 6	Fuse	Black, Bronzed, Polished Aluminium	4-6 weeks	11.00 kg	1.530
Leather	Tailor Semi-aniline leather	Black, Bronzed, Polished Aluminium	4-6 weeks	11.00 kg	1.305
Leather	Noble Aniline leather	Black, Bronzed, Polished Aluminium	4-6 weeks	11.00 kg	1.550
Leather	Elmosoft Semi-aniline leather	Black, Bronzed, Polished Aluminium	4-6 weeks	11.00 kg	1.665
COM	Fabric	Black, Bronzed, Polished Aluminium	4-6 weeks	11.00 kg	1.060

Fabric gr.	Seat Upholstery	Lead time	PRICE EX. STATE TAX
Fabric gr. 1	Grain, Hot Madison, Remix, Re-Wool	4-6 weeks	225
Fabric gr. 2	Barnum, Canvas, Fiord	4-6 weeks	295
Fabric gr. 3	Hallingdal, Mylla, Steelcut Quartet, Steelcut Trio	4-6 weeks	315
Fabric gr. 4	Acca, Cifrado, Ecriture, Vidar	4-6 weeks	385
Fabric gr. 5	Gentle, Karakorum, Sisu	4-6 weeks	475
Fabric gr. 6	Fuse	4-6 weeks	520
Leather	Tailor Semi-aniline leather	4-6 weeks	360
Leather	Noble Aniline leather	4-6 weeks	385
Leather	Elmosoft Semi-aniline leather	4-6 weeks	475
COM	Fabric	4-6 weeks	225



Made using FSC® certified wood, supporting responsible environmental, social and economical management of the world's forests. Visit www.fsc.org

Material: Shell made from 100% recycled polypropylene with fiber glass, covered with HR foam with fabric or leather upholstery, aluminium swivel base with return.

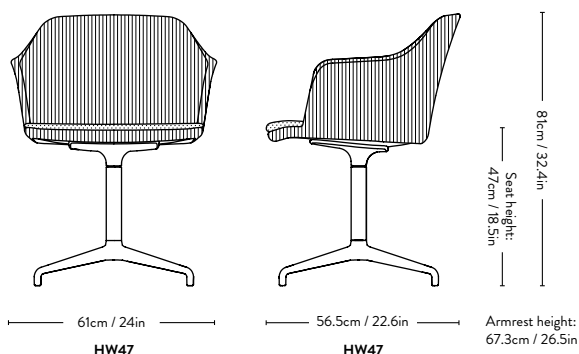
Fabric usage: 2.3 meter (Shell: 1.5 meters / Seat: 0.8 meter) based on a 140 cm roll.

Leather usage: 3.4 square meters (Shell: 2.6 sqm / Seat: 0.8 sqm) based on a yield of 60% pr hide.

Plastic gliders installed as standard.
Felt gliders available upon request.

COM must be approved by &Tradition to ensure suitability for upholstery.

Minimum order quantity of same variant: 4 pcs.



Rely ^{HW48} Hee Welling 2021



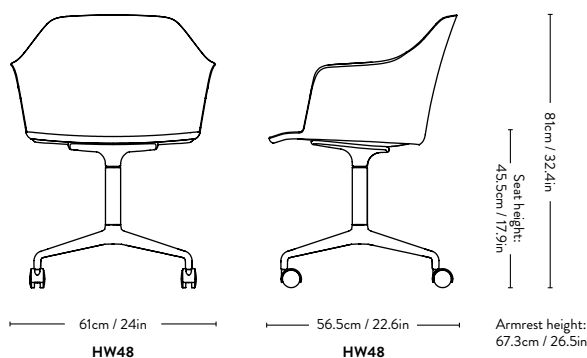
Shell Variant	Base	Lead time	Weight	PRICE EX. STATE TAX
Black	Black, Bronzed, Polished Aluminium	2-3 weeks	9.40 kg	720
White	Black, Bronzed, Polished Aluminium	2-3 weeks	9.40 kg	720
Beige Sand	Black, Bronzed, Polished Aluminium	2-3 weeks	9.40 kg	720
Red Brown	Black, Bronzed, Polished Aluminium	2-3 weeks	9.40 kg	720
Light Blue	Black, Bronzed, Polished Aluminium	2-3 weeks	9.40 kg	720
Stone Grey	Black, Bronzed, Polished Aluminium	2-3 weeks	9.40 kg	720
Vermilion Red*	Black, Bronzed, Polished Aluminium	2-3 weeks	9.40 kg	720
Bronze Green	Black, Bronzed, Polished Aluminium	2-3 weeks	9.40 kg	720
Soft Pink*	Black, Bronzed, Polished Aluminium	2-3 weeks	9.40 kg	720

Material: Shell made from 100% recycled polypropylene with fiber glass, aluminium swivel base with castors.

*Available while stock lasts

*Available while stock lasts

Castors suitable for all floor types.



Rely^{HW49} Hee Welling 2021



Fabric gr.	Shell	Seat Cushion Upholstery	Base	Lead time	Weight	PRICE EX. STATE TAX
Fabric gr. 1	Plastic	Grain, Hot Madison, Remix, Re-Wool	Black, Bronzed, Polished Aluminium	4-6 weeks	10.70 kg	1.035
Fabric gr. 2	Plastic	Barnum, Canvas, Fiord	Black, Bronzed, Polished Aluminium	4-6 weeks	10.70 kg	1.105
Fabric gr. 3	Plastic	Hallingdal, Mylla, Steelcut Quartet, Steelcut Trio	Black, Bronzed, Polished Aluminium	4-6 weeks	10.70 kg	1.125
Fabric gr. 4	Plastic	Acca, Cifrado, Ecriture, Vidar	Black, Bronzed, Polished Aluminium	4-6 weeks	10.70 kg	1.195
Fabric gr. 5	Plastic	Gentle, Karakorum, Sisu	Black, Bronzed, Polished Aluminium	4-6 weeks	10.70 kg	1.285
Fabric gr. 6	Plastic	Fuse	Black, Bronzed, Polished Aluminium	4-6 weeks	10.70 kg	1.395
Leather	Plastic	Tailor Semi-aniline leather	Black, Bronzed, Polished Aluminium	4-6 weeks	10.70 kg	1.125
Leather	Plastic	Noble Aniline leather	Black, Bronzed, Polished Aluminium	4-6 weeks	10.70 kg	1.195
Leather	Plastic	Elmosoft Semi-aniline leather	Black, Bronzed, Polished Aluminium	4-6 weeks	10.70 kg	1.260
COM	Plastic	Fabric	Black, Bronzed, Polished Aluminium	4-6 weeks	10.70 kg	1.035



Made using FSC® certified wood, supporting responsible environmental, social and economical management of the world's forests. Visit www.fsc.org

Plastic shell variants

Black, White, Beige Sand, Red Brown, Light Blue, Stone Grey, Vermilion Red*, Bronze Green, Soft Pink*

Material: Shell made from 100% recycled polypropylene with fiber glass, HR foam seat covered with fabric or leather upholstery, aluminium swivel base and castors.

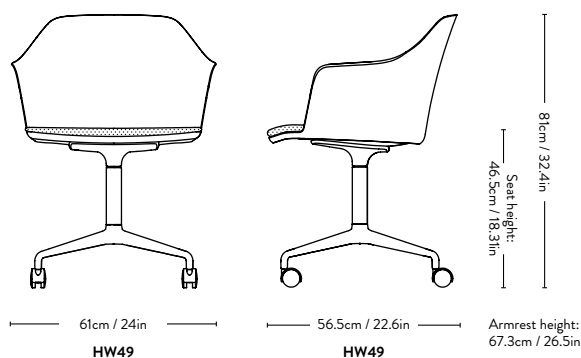
*Available while stock lasts

Fabric usage: 0.8 meter based on a 140 cm roll.

Leather usage: 1 square meter based on a yield of 60% pr hide.

Castors suitable for all floor types.

COM must be approved by &Tradition to ensure suitability for upholstery.



Rely^{HW50} Hee Welling 2021



Fabric gr.	Upholstery	Base	Lead time	Weight	PRICE EX. STATE TAX
Fabric gr. 1	Grain, Hot Madison, Remix, Re-Wool	Black, Bronzed, Polished Aluminium	4-6 weeks	9.90 kg	1.215
Fabric gr. 2	Barnum, Canvas, Fiord	Black, Bronzed, Polished Aluminium	4-6 weeks	9.90 kg	1.350
Fabric gr. 3	Hallingdal, Mylla, Steelcut Quartet, Steelcut Trio	Black, Bronzed, Polished Aluminium	4-6 weeks	9.90 kg	1.395
Fabric gr. 4	Acca, Cifrado, Ecriture, Vidar	Black, Bronzed, Polished Aluminium	4-6 weeks	9.90 kg	1.530
Fabric gr. 5	Gentle, Karakorum, Sisu	Black, Bronzed, Polished Aluminium	4-6 weeks	9.90 kg	1.800
Fabric gr. 6	Fuse	Black, Bronzed, Polished Aluminium	4-6 weeks	9.90 kg	1.980
Leather	Tailor Semi-aniline leather	Black, Bronzed, Polished Aluminium	4-6 weeks	9.90 kg	1.600
Leather	Noble Aniline leather	Black, Bronzed, Polished Aluminium	4-6 weeks	9.90 kg	1.870
Leather	Elmosoft Semi-aniline leather	Black, Bronzed, Polished Aluminium	4-6 weeks	9.90 kg	2.025
COM	Fabric	Black, Bronzed, Polished Aluminium	4-6 weeks	9.90 kg	1.215

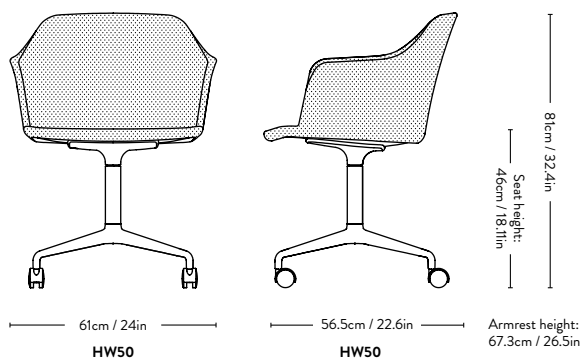
Material: Shell made from 100% recycled polypropylene with fiber glass, covered with HR foam with fabric or leather upholstery, aluminium swivel base with castors.

Fabric usage: 1.5 meters based on 140cm roll.

Leather usage: 2.8 square meters based on a yield of 60% pr hide.

Castors suitable for all floor types.

COM must be approved by &Tradition to ensure suitability for upholstery.



Rely^{HW51} Hee Welling 2021



Fabric gr.	Upholstery	Base	Lead time	Weight	PRICE EX. STATE TAX
Fabric gr. 1	Grain, Hot Madison, Remix, Re-Wool	Black, Bronzed, Polished Aluminium	4-6 weeks	11.00 kg	1.285
Fabric gr. 2	Barnum, Canvas, Fiord	Black, Bronzed, Polished Aluminium	4-6 weeks	11.00 kg	1.420
Fabric gr. 3	Hallingdal, Mylla, Steelcut Quartet, Steelcut Trio	Black, Bronzed, Polished Aluminium	4-6 weeks	11.00 kg	1.440
Fabric gr. 4	Acca, Cifrado, Ecriture, Vidar	Black, Bronzed, Polished Aluminium	4-6 weeks	11.00 kg	1.600
Fabric gr. 5	Gentle, Karakorum, Sisu	Black, Bronzed, Polished Aluminium	4-6 weeks	11.00 kg	1.870
Fabric gr. 6	Fuse	Black, Bronzed, Polished Aluminium	4-6 weeks	11.00 kg	2.050
Leather	Tailor Semi-aniline leather	Black, Bronzed, Polished Aluminium	4-6 weeks	11.00 kg	1.665
Leather	Noble Aniline leather	Black, Bronzed, Polished Aluminium	4-6 weeks	11.00 kg	1.935
Leather	Elmosoft Semi-aniline leather	Black, Bronzed, Polished Aluminium	4-6 weeks	11.00 kg	2.140
COM	Fabric	Black, Bronzed, Polished Aluminium	4-6 weeks	11.00 kg	1.285



Made using FSC® certified wood, supporting responsible environmental, social and economical management of the world's forests. Visit www.fsc.org

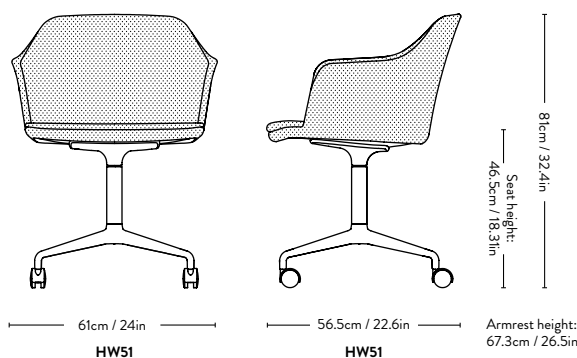
Material: Shell made from 100% recycled polypropylene with fiber glass, covered with HR foam with fabric or leather upholstery, aluminium swivel base with castors.

Fabric usage: 1.5 meters based on 140cm roll.

Leather usage: 2.8 square meters based on a yield of 60% pr hide.

Castors suitable for all floor types.

COM must be approved by &Tradition to ensure suitability for upholstery.



Rely ^{HW52} Hee Welling 2021



Please note that price is accumulated price of shell & seat.

Fabric gr.	Upholstery	Base	Lead time	Weight	PRICE EX. STATE TAX
Fabric gr. 1	Grain, Hot Madison, Remix, Re-Wool	Black, Bronzed, Polished Aluminium	4-6 weeks	11.00 kg	1.060
Fabric gr. 2	Barnum, Canvas, Fiord	Black, Bronzed, Polished Aluminium	4-6 weeks	11.00 kg	1.125
Fabric gr. 3	Hallingdal, Mylla, Steelcut Quartet, Steelcut Trio	Black, Bronzed, Polished Aluminium	4-6 weeks	11.00 kg	1.125
Fabric gr. 4	Acca, Cifrado, Ecriture, Vidar	Black, Bronzed, Polished Aluminium	4-6 weeks	11.00 kg	1.215
Fabric gr. 5	Gentle, Karakorum, Sisu	Black, Bronzed, Polished Aluminium	4-6 weeks	11.00 kg	1.395
Fabric gr. 6	Fuse	Black, Bronzed, Polished Aluminium	4-6 weeks	11.00 kg	1.530
Leather	Tailor Semi-aniline leather	Black, Bronzed, Polished Aluminium	4-6 weeks	11.00 kg	1.305
Leather	Noble Aniline leather	Black, Bronzed, Polished Aluminium	4-6 weeks	11.00 kg	1.550
Leather	Elmosoft Semi-aniline leather	Black, Bronzed, Polished Aluminium	4-6 weeks	11.00 kg	1.665
COM	Fabric	Black, Bronzed, Polished Aluminium	4-6 weeks	11.00 kg	1.060

Fabric gr.	Seat Upholstery	Lead time	PRICE EX. STATE TAX
Fabric gr. 1	Grain, Hot Madison, Remix, Re-Wool	4-6 weeks	225
Fabric gr. 2	Barnum, Canvas, Fiord	4-6 weeks	295
Fabric gr. 3	Hallingdal, Mylla, Steelcut Quartet, Steelcut Trio	4-6 weeks	315
Fabric gr. 4	Acca, Cifrado, Ecriture, Vidar	4-6 weeks	385
Fabric gr. 5	Gentle, Karakorum, Sisu	4-6 weeks	475
Fabric gr. 6	Fuse	4-6 weeks	520
Leather	Tailor Semi-aniline leather	4-6 weeks	360
Leather	Noble Aniline leather	4-6 weeks	385
Leather	Elmosoft Semi-aniline leather	4-6 weeks	475
COM	Fabric	4-6 weeks	225



Made using FSC® certified wood, supporting responsible environmental, social and economical management of the world's forests. Visit www.fsc.org

Material: Shell made from 100% recycled polypropylene with fiber glass, covered with HR foam with fabric or leather upholstery, aluminium swivel base with castors.

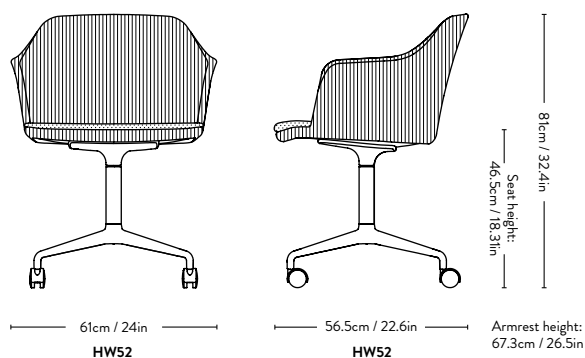
Fabric usage: 2.3 meter (Shell: 1.5 meters / Seat: 0.8 meter) based on a 140 cm roll.

Leather usage: 3.4 square meters (Shell: 2.6 sqm / Seat: 0.8 sqm) based on a yield of 60% pr hide.

COM must be approved by &Tradition to ensure suitability for upholstery.

Castors suitable for all floor types.

Minimum order quantity of same variant: 4 pcs.



Rely^{HW53} Hee Welling 2021



Shell Variant	Base	Lead time	Weight	PRICE EX. STATE TAX
Black	Black, Polished Aluminium	2-3 weeks	10.50 kg	855
White	Black, Polished Aluminium	2-3 weeks	10.50 kg	855
Beige Sand	Black, Polished Aluminium	2-3 weeks	10.50 kg	855
Red Brown	Black, Polished Aluminium	2-3 weeks	10.50 kg	855
Light Blue	Black, Polished Aluminium	2-3 weeks	10.50 kg	855
Stone Grey	Black, Polished Aluminium	2-3 weeks	10.50 kg	855
Vermilion Red*	Black, Polished Aluminium	2-3 weeks	10.50 kg	855
Bronze Green	Black, Polished Aluminium	2-3 weeks	10.50 kg	855
Soft Pink*	Black, Polished Aluminium	2-3 weeks	10.50 kg	855



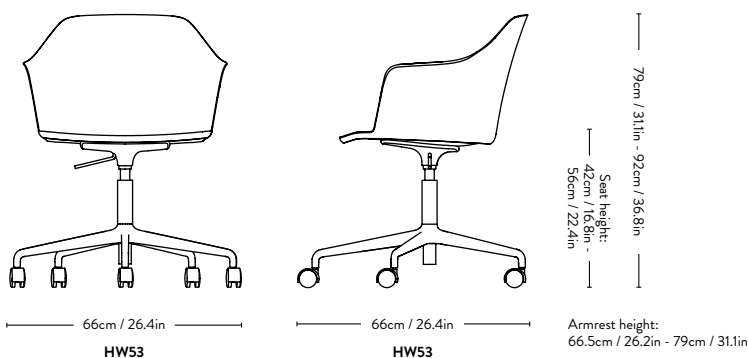
EU Ecolabel certified, validating high standards of durability, circular design, and responsible use of chemicals.

Please contact our sales team for a list of EU Ecolabel compliant combinations.

Material: Shell made from 100% recycled polypropylene with fiber glass, cast aluminium 5-star swivel base w. gaslift & castors.

*Available while stock lasts

Castors suitable for all floor types.



Rely ^{HW54} Hee Welling 2021



Fabric gr.	Shell	Seat Cushion Upholstery	Base	Lead time	Weight	PRICE EX. STATE TAX
Fabric gr. 1	Plastic	Grain, Hot Madison, Remix, Re-Wool	Black, Polished Aluminium	4-6 weeks	11.80 kg	1.080
Fabric gr. 2	Plastic	Barnum, Canvas, Fiord	Black, Polished Aluminium	4-6 weeks	11.80 kg	1.150
Fabric gr. 3	Plastic	Hallingdal, Mylla, Steelcut Quartet, Steelcut Trio	Black, Polished Aluminium	4-6 weeks	11.80 kg	1.170
Fabric gr. 4	Plastic	Acca, Cifrado, Ecriture, Vidar	Black, Polished Aluminium	4-6 weeks	11.80 kg	1.240
Fabric gr. 5	Plastic	Gentle, Karakorum, Sisu	Black, Polished Aluminium	4-6 weeks	11.80 kg	1.330
Fabric gr. 6	Plastic	Fuse	Black, Polished Aluminium	4-6 weeks	11.80 kg	1.465
Leather	Plastic	Tailor Semi-aniline leather	Black, Polished Aluminium	4-6 weeks	11.80 kg	1.170
Leather	Plastic	Noble Aniline leather	Black, Polished Aluminium	4-6 weeks	11.80 kg	1.240
Leather	Plastic	Elmosoft Semi-aniline leather	Black, Polished Aluminium	4-6 weeks	11.80 kg	1.350
COM	Plastic	Fabric	Black, Polished Aluminium	4-6 weeks	11.80 kg	1.080



EU Ecolabel certified, validating high standards of durability, circular design, and responsible use of chemicals. Please contact our sales team for a list of EU Ecolabel compliant combinations.

EU Ecolabel - DK/049/019



Made using FSC® certified wood, supporting responsible environmental, social and economical management of the world's forests. Visit www.fsc.org

Plastic shell variants

Black, White, Beige Sand, Red Brown, Light Blue, Stone Grey, Vermilion Red*, Bronze Green, Soft Pink*

Material: Shell made from 100% recycled polypropylene with fiber glass, seat covered in HR foam with fabric or leather upholstery, cast aluminium 5-star swivel base w. gaslift & castors.

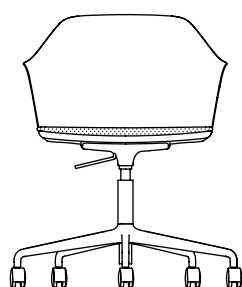
*Available while stock lasts

Fabric usage: 0.8 meter based on a 140 cm roll.

Leather usage: 1 square meter based on a yield of 60% pr hide.

COM must be approved by &Tradition to ensure suitability for upholstery.

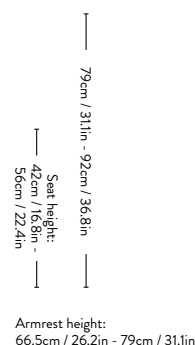
Castors suitable for all floor types.



66cm / 26.4in
HW54



66cm / 26.4in
HW54



Rely^{HW55} Hee Welling 2021



Fabric gr.	Upholstery	Base	Lead time	Weight	PRICE EX. STATE TAX
Fabric gr. 1	Grain, Hot Madison, Remix, Re-Wool	Black, Polished Aluminium	4-6 weeks	11.00 kg	1.305
Fabric gr. 2	Barnum, Canvas, Fiord	Black, Polished Aluminium	4-6 weeks	11.00 kg	1.440
Fabric gr. 3	Hallingdal, Mylla, Steelcut Quartet, Steelcut Trio	Black, Polished Aluminium	4-6 weeks	11.00 kg	1.485
Fabric gr. 4	Acca, Cifrado, Ecriture, Vidar	Black, Polished Aluminium	4-6 weeks	11.00 kg	1.620
Fabric gr. 5	Gentle, Karakorum, Sisu	Black, Polished Aluminium	4-6 weeks	11.00 kg	1.915
Fabric gr. 6	Fuse	Black, Polished Aluminium	4-6 weeks	11.00 kg	2.070
Leather	Tailor Semi-aniline leather	Black, Polished Aluminium	4-6 weeks	11.00 kg	1.690
Leather	Noble Aniline leather	Black, Polished Aluminium	4-6 weeks	11.00 kg	1.960
Leather	Elmosoft Semi-aniline leather	Black, Polished Aluminium	4-6 weeks	11.00 kg	2.115
COM	Fabric	Black, Polished Aluminium	4-6 weeks	11.00 kg	1.305



EU Ecolabel certified, validating high standards of durability, circular design, and responsible use of chemicals. Please contact our sales team for a list of EU Ecolabel compliant combinations.

EU Ecolabel : DK/049/019



Made using FSC® certified wood, supporting responsible environmental, social and economical management of the world's forests. Visit www.fsc.org

The mark of responsible forestry

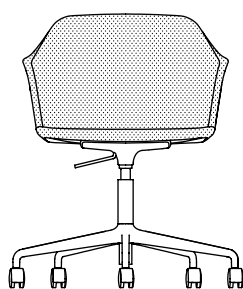
Material: Shell made from 100% recycled polypropylene with fiber glass, covered with HR foam with fabric or leather upholstery, cast aluminium 5-star swivel base w. gaslift & castors.

Castors suitable for all floor types.

Fabric usage: 1.5 meters based on 140cm roll.

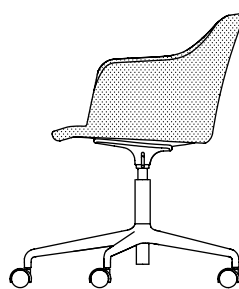
Leather usage: 2.8 square meters based on a yield of 60% pr hide.

COM must be approved by &Tradition to ensure suitability for upholstery.



66cm / 26.4in

HW55



66cm / 26.4in

HW55



79cm / 31in - 92cm / 36.8in
42cm / 16.8in - 50cm / 22.4in
Seat height:

Armrest height:
66.5cm / 26.2in - 79cm / 31.1in

Rely ^{HW56} Hee Welling 2021



Fabric gr.	Upholstery	Base	Lead time	Weight	PRICE EX. STATE TAX
Fabric gr. 1	Grain, Hot Madison, Remix, Re-Wool	Black, Polished Aluminium	4-6 weeks	12.10 kg	1.375
Fabric gr. 2	Barnum, Canvas, Fiord	Black, Polished Aluminium	4-6 weeks	12.10 kg	1.510
Fabric gr. 3	Hallingdal, Mylla, Steelcut Quartet, Steelcut Trio	Black, Polished Aluminium	4-6 weeks	12.10 kg	1.555
Fabric gr. 4	Acca, Cifrado, Ecriture, Vidar	Black, Polished Aluminium	4-6 weeks	12.10 kg	1.690
Fabric gr. 5	Gentle, Karakorum, Sisu	Black, Polished Aluminium	4-6 weeks	12.10 kg	1.960
Fabric gr. 6	Fuse	Black, Polished Aluminium	4-6 weeks	12.10 kg	2.160
Leather	Tailor Semi-aniline leather	Black, Polished Aluminium	4-6 weeks	12.10 kg	1.755
Leather	Noble Aniline leather	Black, Polished Aluminium	4-6 weeks	12.10 kg	2.025
Leather	Elmosoft Semi-aniline leather	Black, Polished Aluminium	4-6 weeks	12.10 kg	2.230
COM	Fabric	Black, Polished Aluminium	4-6 weeks	12.10 kg	1.375



EU Ecolabel certified, validating high standards of durability, circular design, and responsible use of chemicals. Please contact our sales team for a list of EU Ecolabel compliant combinations.



Made using FSC® certified wood, supporting responsible environmental, social and economical management of the world's forests. Visit www.fsc.org

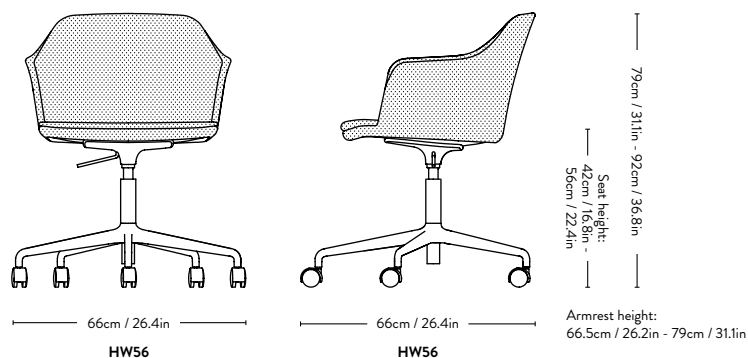
Material: Shell made from 100% recycled polypropylene with fiber glass, covered with HR foam with fabric or leather upholstery, cast aluminium 5-star swivel base w. gaslift & castors.

Castors suitable for all floor types.

Fabric usage: 1.5 meters based on 140cm roll.

Leather usage: 2.8 square meters based on a yield of 60% pr hide.

COM must be approved by &Tradition to ensure suitability for upholstery.



Rely^{HW57} Hee Welling 2021



Please note that price is accumulated price of shell & seat.

Fabric gr.	Upholstery	Base	Lead time	Weight	PRICE EX. STATE TAX
Fabric gr. 1	Grain, Hot Madison, Remix, Re-Wool	Black, Polished Aluminium	4-6 weeks	12.10 kg	1.150
Fabric gr. 2	Barnum, Canvas, Fiord	Black, Polished Aluminium	4-6 weeks	12.10 kg	1.215
Fabric gr. 3	Hallingdal, Mylla, Steelcut Quartet, Steelcut Trio	Black, Polished Aluminium	4-6 weeks	12.10 kg	1.240
Fabric gr. 4	Acca, Cifrado, Ecriture, Vidar	Black, Polished Aluminium	4-6 weeks	12.10 kg	1.305
Fabric gr. 5	Gentle, Karakorum, Sisu	Black, Polished Aluminium	4-6 weeks	12.10 kg	1.485
Fabric gr. 6	Fuse	Black, Polished Aluminium	4-6 weeks	12.10 kg	1.640
Leather	Tailor Semi-aniline leather	Black, Polished Aluminium	4-6 weeks	12.10 kg	1.395
Leather	Noble Aniline leather	Black, Polished Aluminium	4-6 weeks	12.10 kg	1.640
Leather	Elmosoft Semi-aniline leather	Black, Polished Aluminium	4-6 weeks	12.10 kg	1.755
COM	Fabric	Black, Polished Aluminium	4-6 weeks	12.10 kg	1.150

Fabric gr.	Seat Upholstery	Lead time	PRICE EX. STATE TAX
Fabric gr. 1	Grain, Hot Madison, Remix, Re-Wool	4-6 weeks	225
Fabric gr. 2	Barnum, Canvas, Fiord	4-6 weeks	295
Fabric gr. 3	Hallingdal, Mylla, Steelcut Quartet, Steelcut Trio	4-6 weeks	315
Fabric gr. 4	Acca, Cifrado, Ecriture, Vidar	4-6 weeks	385
Fabric gr. 5	Gentle, Karakorum, Sisu	4-6 weeks	475
Fabric gr. 6	Fuse	4-6 weeks	520
Leather	Tailor Semi-aniline leather	4-6 weeks	360
Leather	Noble Aniline leather	4-6 weeks	385
Leather	Elmosoft Semi-aniline leather	4-6 weeks	475
COM	Fabric	4-6 weeks	225



Made using FSC® certified wood, supporting responsible environmental, social and economical management of the world's forests. Visit www.fsc.org

Material: Shell made from 100% recycled polypropylene with fiber glass, covered with HR foam with fabric or leather upholstery, cast aluminium 5-star swivel base w. gaslift & castors.

Castors suitable for all floor types.

Fabric usage: 2.3 meter (Shell: 1.5 meters / Seat: 0.8 meter) based on a 140 cm roll.

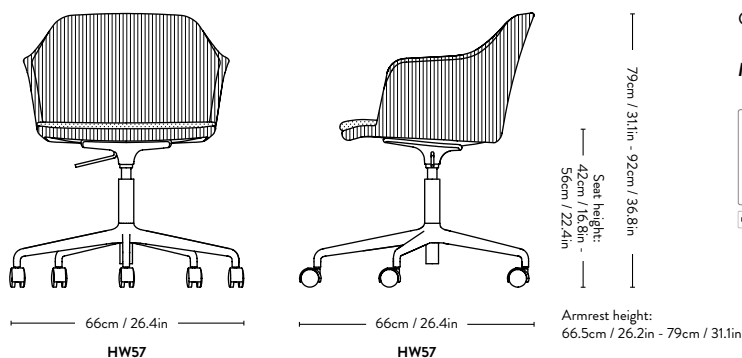
Leather usage: 3.4 square meters (Shell: 2.6 sqm / Seat: 0.8 sqm) based on a yield of 60% pr hide.

COM must be approved by &Tradition to ensure suitability for upholstery.

Minimum order quantity of same variant: 4 pcs.



EU Ecolabel certified, validating high standards of durability, circular design, and responsible use of chemicals. Please contact our sales team for a list of EU Ecolabel compliant combinations.



Rely ^{HW71} Hee Welling 2022



Shell Variant	Base	Colli qty.	Lead time	Weight	PRICE EX. STATE TAX
Black	Oak	1 pc	2-3 weeks	5.70 kg	520
	Walnut				585
White	Oak	1 pc	2-3 weeks	5.70 kg	520
	Walnut				585
Beige Sand	Oak	1 pc	2-3 weeks	5.70 kg	520
	Walnut				585
Red Brown	Oak	1 pc	2-3 weeks	5.70 kg	520
	Walnut				585
Light Blue	Oak	1 pc	2-3 weeks	5.70 kg	520
	Walnut				585
Stone Grey	Oak	1 pc	2-3 weeks	5.70 kg	520
	Walnut				585
Vermilion Red*	Oak	1 pc	2-3 weeks	5.70 kg	520
	Walnut				585
Bronze Green	Oak	1 pc	2-3 weeks	5.70 kg	520
	Walnut				585
Soft Pink*	Oak	1 pc	2-3 weeks	5.70 kg	520
	Walnut				585

Product no.	Product	Variant	Lead time	PRICE EX. STATE TAX
145307	Plastic gliders for Drawn, Elefy w. wood base, Rely w. tube (ex. stacking) & wood base, Muno, and Meantime Lounge Chairs, 4 pcs	Black	Stock item	20
145308	Felt gliders for Drawn, Elefy w. wood base, Rely w. tube (ex. stacking) & wood base, Muno, and Meantime Lounge Chairs, 4 pcs	Black	Stock item	20



EU Ecolabel : DK/049/019

EU Ecolabel certified, validating high standards of durability, circular design, and responsible use of chemicals. Please contact our sales team for a list of EU Ecolabel compliant combinations.



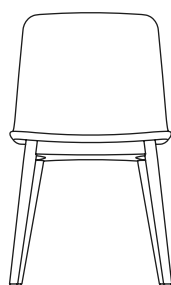
FSC® C154398
The mark of responsible forestry

Made using FSC® certified wood, supporting responsible environmental, social and economical management of the world's forests. Visit www.fsc.org

Material: Shell made from 100% recycled polypropylene with fiber glass. Water based lacquered oak or walnut base.

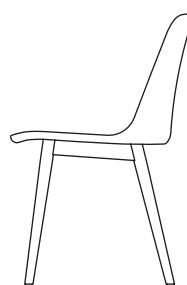
*Available while stock lasts

Plastic gliders installed as standard. Felt gliders available upon request.



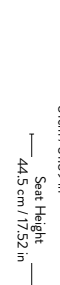
— 48.5 cm / 19.09 in —

HW71



— 53.5 cm / 21.06 in —

HW71



Seating depth:
45cm / 17.7in

Rely ^{HW72} Hee Welling 2022



Fabric gr.	Shell	Seat Cushion Upholstery	Base	Lead time	Weight	PRICE EX. STATE TAX
Fabric gr. 1	Plastic	Grain, Hot Madison, Remix, Re-Wool	Oak	6-8 weeks	6.50 kg	790
			Walnut			855
Fabric gr. 2	Plastic	Barnum, Canvas, Fiord	Oak	6-8 weeks	6.50 kg	855
			Walnut			925
Fabric gr. 3	Plastic	Hallingdal, Mylla, Steelcut Quartet, Steelcut Trio	Oak	6-8 weeks	6.50 kg	880
			Walnut			970
Fabric gr. 4	Plastic	Acca, Beda, Cifrado, Ecriture, Vidar	Oak	6-8 weeks	6.50 kg	945
			Walnut			1.015
Fabric gr. 5	Plastic	Gentle, Karakorum, Sisu	Oak	6-8 weeks	6.50 kg	1.035
			Walnut			1.105
Fabric gr. 6	Plastic	Fuse	Oak	6-8 weeks	6.50 kg	1.150
			Walnut			1.215
Leather	Plastic	Tailor Semi-aniline leather	Oak	6-8 weeks	6.50 kg	880
			Walnut			945
Leather	Plastic	Noble Aniline leather	Oak	6-8 weeks	6.50 kg	945
			Walnut			1.015
Leather	Plastic	Elmosoft Semi-aniline leather	Oak	6-8 weeks	6.50 kg	1.015
			Walnut			1.080
COM	Plastic	Fabric	Oak	6-8 weeks	6.50 kg	790
			Walnut			855

Product no.	Product	Variant	Lead time	PRICE EX. STATE TAX
145307	Plastic gliders for Drawn, Elefy w. wood base, Rely w. tube (ex. stacking) & wood base, Muno, and Meantime Lounge Chairs, 4 pcs	Black	Stock item	20
145308	Felt gliders for Drawn, Elefy w. wood base, Rely w. tube (ex. stacking) & wood base, Muno, and Meantime Lounge Chairs, 4 pcs	Black	Stock item	20



EU Ecolabel certified, validating high standards of durability, circular design, and responsible use of chemicals. Please contact our sales team for a list of EU Ecolabel compliant combinations.

Plastic shell variants

Black, White, Beige Sand, Red Brown, Light Blue, Stone Grey, Vermilion Red*, Bronze Green, Soft Pink*

Material: Shell made from 100% recycled polypropylene with fiber glass. Upholstered seats are made with a veneer plate with 30mm HR foam. Water based lacquered oak or walnut base.

*Available while stock lasts

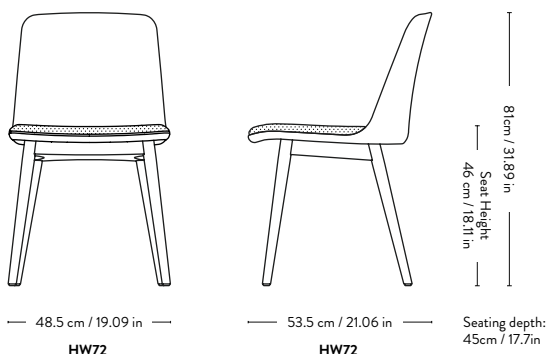
Plastic gliders installed as standard.
Felt gliders available upon request.

Fabric usage: 0.8 meter based on a 140 cm roll.
Leather usage: 1 square meter based on a yield of 60% pr hide.

COM must be approved by &Tradition to ensure suitability for upholstery.



Made using FSC® certified wood, supporting responsible environmental, social and economical management of the world's forests. Visit www.fsc.org



Rely ^{HW73} Hee Welling 2022



Fabric gr.	Upholstery	Base	Lead time	Weight	PRICE EX. STATE TAX
Fabric gr. 1	Grain, Hot Madison, Remix, Re-Wool	Oak Walnut	6-8 weeks	6.20 kg	970 1.035
Fabric gr. 2	Barnum, Canvas, Fiord	Oak Walnut	6-8 weeks	6.20 kg	1.105 1.170
Fabric gr. 3	Hallingdal, Mylla, Steelcut Quartet, Steelcut Trio	Oak Walnut	6-8 weeks	6.20 kg	1.150 1.215
Fabric gr. 4	Acca, Beda, Cifrado, Ecriture, Vidar	Oak Walnut	6-8 weeks	6.20 kg	1.260 1.330
Fabric gr. 5	Gentle, Karakorum, Sisu	Oak Walnut	6-8 weeks	6.20 kg	1.530 1.600
Fabric gr. 6	Fuse	Oak Walnut	6-8 weeks	6.20 kg	1.690 1.755
Leather	Tailor Semi-aniline leather	Oak Walnut	6-8 weeks	6.20 kg	1.330 1.395
Leather	Noble Aniline leather	Oak Walnut	6-8 weeks	6.20 kg	1.395 1.465
Leather	Elmosoft Semi-aniline leather	Oak Walnut	6-8 weeks	6.20 kg	1.510 1.575
COM	Fabric	Oak Walnut	6-8 weeks	6.20 kg	970 1.035

Product no.	Product	Variant	Lead time	PRICE EX. STATE TAX
145307	Plastic gliders for Drawn, Elefy w. wood base, Rely w. tube (ex. stacking) & wood base, Muno, and Meantime Lounge Chairs, 4 pcs	Black	Stock item	20
145308	Felt gliders for Drawn, Elefy w. wood base, Rely w. tube (ex. stacking) & wood base, Muno, and Meantime Lounge Chairs, 4 pcs	Black	Stock item	20



EU Ecolabel certified, validating high standards of durability, circular design, and responsible use of chemicals. Please contact our sales team for a list of EU Ecolabel compliant combinations.

EU Ecolabel : DK/049/019



Made using FSC® certified wood, supporting responsible environmental, social and economical management of the world's forests. Visit www.fsc.org

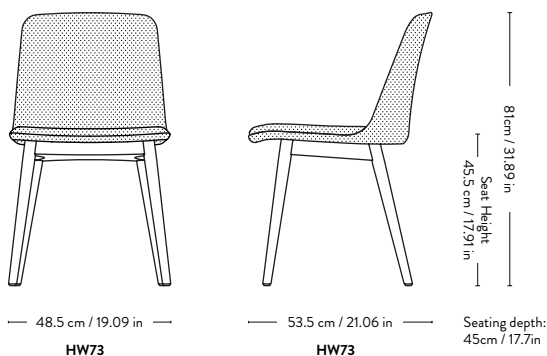
The mark of responsible forestry

Material: Shell made from 100% recycled polypropylene with fiber glass. Upholstered seats are made with a veneer plate with 30mm HR foam. Water based lacquered oak or walnut base.

Plastic gliders installed as standard. Felt gliders available upon request.

Fabric usage: 1.7 meters based on a 140cm roll.
Leather usage: 1.7 square meters based on a yield of 60% pr hide.

COM must be approved by &Tradition to ensure suitability for upholstery.



Rely ^{HW74} Hee Welling 2022



Fabric gr.	Upholstery	Base	Lead time	Weight	PRICE EX. STATE TAX
Fabric gr. 1	Grain, Hot Madison, Remix, Re-Wool	Oak Walnut	6-8 weeks	7.30 kg	1.015 1.080
Fabric gr. 2	Barnum, Canvas, Fiord	Oak Walnut	6-8 weeks	7.30 kg	1.150 1.215
Fabric gr. 3	Hallingdal, Mylla, Steelcut Quartet, Steelcut Trio	Oak Walnut	6-8 weeks	7.30 kg	1.195 1.260
Fabric gr. 4	Acca, Beda, Cifrado, Ecriture, Vidar	Oak Walnut	6-8 weeks	7.30 kg	1.305 1.375
Fabric gr. 5	Gentle, Karakorum, Sisu	Oak Walnut	6-8 weeks	7.30 kg	1.575 1.645
Fabric gr. 6	Fuse	Oak Walnut	6-8 weeks	7.30 kg	1.735 1.800
Leather	Tailor Semi-aniline leather	Oak Walnut	6-8 weeks	7.30 kg	1.375 1.440
Leather	Noble Aniline leather	Oak Walnut	6-8 weeks	7.30 kg	1.440 1.510
Leather	Elmosoft Semi-aniline leather	Oak Walnut	6-8 weeks	7.30 kg	1.645 1.710
COM	Fabric	Oak Walnut	6-8 weeks	7.30 kg	1.015 1.080

Product no.	Product	Variant	Lead time	PRICE EX. STATE TAX
145307	Plastic gliders for Drawn, Elefy w. wood base, Rely w. tube (ex. stacking) & wood base, Muno, and Meantime Lounge Chairs, 4 pcs	Black	Stock item	20
145308	Felt gliders for Drawn, Elefy w. wood base, Rely w. tube (ex. stacking) & wood base, Muno, and Meantime Lounge Chairs, 4 pcs	Black	Stock item	20



EU Ecolabel : DK/049/019

EU Ecolabel certified, validating high standards of durability, circular design, and responsible use of chemicals. Please contact our sales team for a list of EU Ecolabel compliant combinations.



The mark of responsible forestry

Made using FSC® certified wood, supporting responsible environmental, social and economical management of the world's forests. Visit www.fsc.org

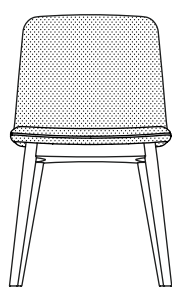
Material: Shell made from 100% recycled polypropylene with fiber glass. Upholstered seats are made with a veneer plate with 30mm HR foam. Water based lacquered oak or walnut base.

Plastic gliders installed as standard. Felt gliders available upon request.

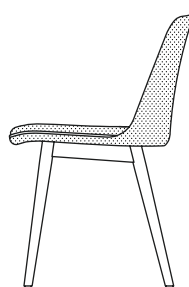
Fabric usage: 1.4 meters based on a 140cm roll.

Leather usage: 1.7 square meters based on a yield of 60% pr hide.

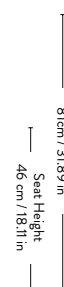
COM must be approved by &Tradition to ensure suitability for upholstery.



— 48.5 cm / 19.09 in —
HW74



— 53.5 cm / 21.06 in —
HW74



Seating depth:
45cm / 17.7in

Rely^{HW75} Hee Welling 2022



Please note that price is accumulated price of shell & seat.

Fabric gr.	Upholstery	Base	Lead time	Weight	PRICE EX. STATE TAX
Fabric gr. 1	Grain, Hot Madison, Remix, Re-Wool	Oak Walnut	6-8 weeks	7.30 kg	790 855
Fabric gr. 2	Barnum, Canvas, Fiord	Oak Walnut	6-8 weeks	7.30 kg	855 920
Fabric gr. 3	Hallingdal, Mylla, Steelcut Quartet, Steelcut Trio	Oak Walnut	6-8 weeks	7.30 kg	880 945
Fabric gr. 4	Acca, Beda, Cifrado, Ecriture, Vidar	Oak Walnut	6-8 weeks	7.30 kg	920 990
Fabric gr. 5	Gentle, Karakorum, Sisu	Oak Walnut	6-8 weeks	7.30 kg	1.100 1.125
Fabric gr. 6	Fuse	Oak Walnut	6-8 weeks	7.30 kg	1.215 1.280
Leather	Tailor Semi-aniline leather	Oak Walnut	6-8 weeks	7.30 kg	1.015 1.170
Leather	Noble Aniline leather	Oak Walnut	6-8 weeks	7.30 kg	1.055 1.285
Leather	Elmosoft Semi-aniline leather	Oak Walnut	6-8 weeks	7.30 kg	1.080 1.235
COM	Fabric	Oak Walnut	6-8 weeks	7.30 kg	790 855

Fabric gr.	Seat Upholstery	Lead time	PRICE EX. STATE TAX
Fabric gr. 1	Grain, Hot Madison, Remix, Re-Wool	6-8 weeks	225
Fabric gr. 2	Barnum, Canvas, Fiord	6-8 weeks	295
Fabric gr. 3	Hallingdal, Mylla, Steelcut Quartet, Steelcut Trio	6-8 weeks	315
Fabric gr. 4	Acca, Beda, Cifrado, Ecriture, Vidar	6-8 weeks	385
Fabric gr. 5	Gentle, Karakorum, Sisu	6-8 weeks	475
Fabric gr. 6	Fuse	6-8 weeks	520
Leather	Tailor Semi-aniline leather	6-8 weeks	360
Leather	Noble Aniline leather	6-8 weeks	385
Leather	Elmosoft Semi-aniline leather	6-8 weeks	475
COM	Fabric	6-8 weeks	225

Rely ^{HW75} Hee Welling 2022



Product no.	Product	Variant	Lead time	PRICE EX. STATE TAX
145307	Plastic gliders for Drawn, Elefy w. wood base, Rely w. tube (ex. stacking) & wood base, Muno, and Meantime Lounge Chairs, 4 pcs	Black	Stock item	20
145308	Felt gliders for Drawn, Elefy w. wood base, Rely w. tube (ex. stacking) & wood base, Muno, and Meantime Lounge Chairs, 4 pcs	Black	Stock item	20



EU Ecolabel certified, validating high standards of durability, circular design, and responsible use of chemicals. Please contact our sales team for a list of EU Ecolabel compliant combinations.

EU Ecolabel - DK/049/019



Made using FSC® certified wood, supporting responsible environmental, social and economical management of the world's forests. Visit www.fsc.org

The mark of responsible forestry

Material: Shell made from 100% recycled polypropylene with fiber glass. Upholstered seats are made with a veneer plate with 30mm HR foam. Water based lacquered oak or walnut base.

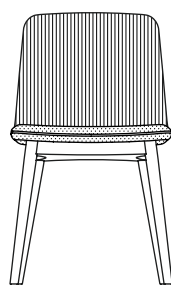
Plastic gliders installed as standard. Felt gliders available upon request.

Fabric usage: 1.9 meter (Shell: 1.2 meters / Seat: 0.7 meter) based on a 140 cm roll.

Leather usage: 2.5 square meters (Shell: 1.7 sqm / Seat: 0.8 sqm) based on a yield of 60% pr hide.

COM must be approved by &Tradition to ensure suitability for upholstery.

Minimum order quantity of same variant: 4 pcs.



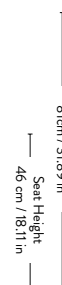
— 48.5 cm / 19.09 in —

HW75



— 53.5 cm / 21.06 in —

HW75



81cm / 31.89 in
Seat Height
46 cm / 18.11 in

Seating depth:
45cm / 17.7in

Rely ^{HW76} Hee Welling 2022



Shell Variant	Base	Colli qty.	Lead time	Weight	PRICE EX. STATE TAX
Black	Oak Walnut	1 pc	2-3 weeks	7.00 kg	585 655
White	Oak Walnut	1 pc	2-3 weeks	7.00 kg	585 655
Beige Sand	Oak Walnut	1 pc	2-3 weeks	7.00 kg	585 655
Red Brown	Oak Walnut	1 pc	2-3 weeks	7.00 kg	585 655
Light Blue	Oak Walnut	1 pc	2-3 weeks	7.00 kg	585 655
Stone Grey	Oak Walnut	1 pc	2-3 weeks	7.00 kg	585 655
Vermilion Red*	Oak Walnut	1 pc	2-3 weeks	7.00 kg	585 655
Bronze Green	Oak Walnut	1 pc	2-3 weeks	7.00 kg	585 655
Soft Pink*	Oak Walnut	1 pc	2-3 weeks	7.00 kg	585 655

Product no.	Product	Variant	Lead time	PRICE EX. STATE TAX
145307	Plastic gliders for Drawn, Elefy w. wood base, Rely w. tube (ex. stacking) & wood base, Muno, and Meantime Lounge Chairs, 4 pcs	Black	Stock item	20
145308	Felt gliders for Drawn, Elefy w. wood base, Rely w. tube (ex. stacking) & wood base, Muno, and Meantime Lounge Chairs, 4 pcs	Black	Stock item	20



EU Ecolabel - DK/049/019

EU Ecolabel certified, validating high standards of durability, circular design, and responsible use of chemicals. Please contact our sales team for a list of EU Ecolabel compliant combinations.



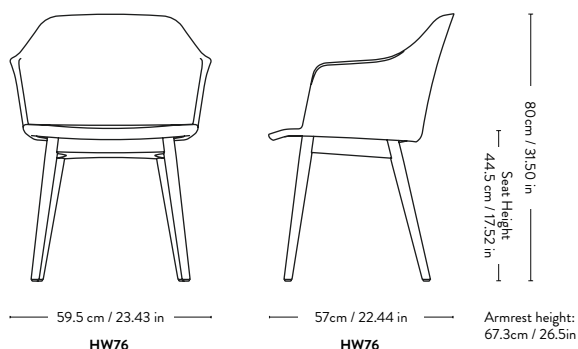
The mark of responsible forestry

Made using FSC® certified wood, supporting responsible environmental, social and economical management of the world's forests. Visit www.fsc.org

Material: Shell made from 100% recycled polypropylene with fiber glass. Water based lacquered oak or walnut base.

*Available while stock lasts

Plastic gliders installed as standard. Felt gliders available upon request.



Rely ^{HW77} Hee Welling 2022



Fabric gr.	Shell	Seat Cushion Upholstery	Base	Lead time	Weight	PRICE EX. STATE TAX
Fabric gr. 1	Plastic	Grain, Hot Madison, Remix, Re-Wool	Oak Walnut	6-8 weeks	8.20 kg	855 925
Fabric gr. 2	Plastic	Barnum, Canvas, Fiord	Oak Walnut	6-8 weeks	8.20 kg	925 990
Fabric gr. 3	Plastic	Hallingdal, Mylla, Steelcut Quartet, Steelcut Trio	Oak Walnut	6-8 weeks	8.20 kg	945 1.015
Fabric gr. 4	Plastic	Acca, Cifrado, Ecriture, Vidar	Oak Walnut	6-8 weeks	8.20 kg	1.015 1.080
Fabric gr. 5	Plastic	Gentle, Karakorum, Sisu	Oak Walnut	6-8 weeks	8.20 kg	1.105 1.170
Fabric gr. 6	Plastic	Fuse	Oak Walnut	6-8 weeks	8.20 kg	1.215 1.285
Leather	Plastic	Tailor Semi-aniline leather	Oak Walnut	6-8 weeks	8.20 kg	945 1.015
Leather	Plastic	Noble Aniline leather	Oak Walnut	6-8 weeks	8.20 kg	1.015 1.080
Leather	Plastic	Elmosoft Semi-aniline leather	Oak Walnut	6-8 weeks	8.20 kg	1.060 1.150
COM	Plastic	Fabric	Oak Walnut	6-8 weeks	8.20 kg	855 925

Product no.	Product	Variant	Lead time	PRICE EX. STATE TAX
145307	Plastic gliders for Drawn, Elefy w. wood base, Rely w. tube (ex. stacking) & wood base, Muno, and Meantime Lounge Chairs, 4 pcs	Black	Stock item	20
145308	Felt gliders for Drawn, Elefy w. wood base, Rely w. tube (ex. stacking) & wood base, Muno, and Meantime Lounge Chairs, 4 pcs	Black	Stock item	20



EU Ecolabel certified, validating high standards of durability, circular design, and responsible use of chemicals. Please contact our sales team for a list of EU Ecolabel compliant combinations.

EU Ecolabel - DK/049/019



Made using FSC® certified wood, supporting responsible environmental, social and economical management of the world's forests. Visit www.fsc.org

The mark of responsible forestry

Plastic shell variants

Black, White, Beige Sand, Red Brown, Light Blue, Stone Grey, Vermilion Red*, Bronze Green, Soft Pink*

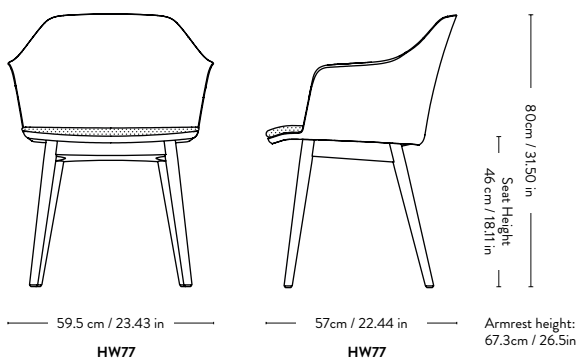
Material: Shell made from 100% recycled polypropylene with fiber glass, seat covered in HR foam with fabric or leather upholstery. Water based lacquered oak or walnut base.

*Available while stock lasts

Plastic gliders installed as standard. Felt gliders available upon request.

Fabric usage: 0.8 meter based on a 140 cm roll.
Leather usage: 1 square meter based on a yield of 60% pr hide.

COM must be approved by &Tradition to ensure suitability for upholstery.



Rely ^{HW78} Hee Welling 2022



Fabric gr.	Upholstery	Base	Lead time	Weight	PRICE EX. STATE TAX
Fabric gr. 1	Grain, Hot Madison, Remix, Re-Wool	Oak	6-8 weeks	7.70 kg	1.080
		Walnut			1.150
Fabric gr. 2	Barnum, Canvas, Fiord	Oak	6-8 weeks	7.70 kg	1.215
		Walnut			1.285
Fabric gr. 3	Hallingdal, Mylla, Steelcut Quartet, Steelcut Trio	Oak	6-8 weeks	7.70 kg	1.260
		Walnut			1.330
Fabric gr. 4	Acca, Cifrado, Ecriture, Vidar	Oak	6-8 weeks	7.70 kg	1.395
		Walnut			1.465
Fabric gr. 5	Gentle, Karakorum, Sisu	Oak	6-8 weeks	7.70 kg	1.665
		Walnut			1.735
Fabric gr. 6	Fuse	Oak	6-8 weeks	7.70 kg	1.825
		Walnut			1.915
Leather	Tailor Semi-aniline leather	Oak	6-8 weeks	7.70 kg	1.465
		Walnut			1.530
Leather	Noble Aniline leather	Oak	6-8 weeks	7.70 kg	1.735
		Walnut			1.800
Leather	Elmosoft Semi-aniline leather	Oak	6-8 weeks	7.70 kg	1.890
		Walnut			1.960
COM	Fabric	Oak	6-8 weeks	7.70 kg	1.080
		Walnut			1.150

Product no.	Product	Variant	Lead time	PRICE EX. STATE TAX
145307	Plastic gliders for Drawn, Elefy w. wood base, Rely w. tube (ex. stacking) & wood base, Muno, and Meantime Lounge Chairs, 4 pcs	Black	Stock item	20
145308	Felt gliders for Drawn, Elefy w. wood base, Rely w. tube (ex. stacking) & wood base, Muno, and Meantime Lounge Chairs, 4 pcs	Black	Stock item	20



EU Ecolabel certified, validating high standards of durability, circular design, and responsible use of chemicals. Please contact our sales team for a list of EU Ecolabel compliant combinations.



Made using FSC® certified wood, supporting responsible environmental, social and economical management of the world's forests. Visit www.fsc.org

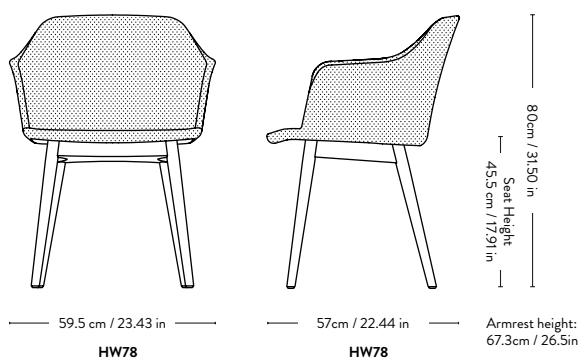
Material: Shell made from 100% recycled polypropylene with fiber glass, covered with HR foam with fabric or leather upholstery. Water based lacquered oak or walnut base.

Plastic gliders installed as standard. Felt gliders available upon request.

Fabric usage: 1.5 meters based on 140cm roll.

Leather usage: 2.8 square meters based on a yield of 60% pr hide.

COM must be approved by &Tradition to ensure suitability for upholstery.



Rely ^{HW79} Hee Welling 2022



Fabric gr.	Upholstery	Base	Lead time	Weight	PRICE EX. STATE TAX
Fabric gr. 1	Grain, Hot Madison, Remix, Re-Wool	Oak	6-8 weeks	8.00 kg	1.150
		Walnut			1.215
Fabric gr. 2	Barnum, Canvas, Fiord	Oak	6-8 weeks	8.00 kg	1.285
		Walnut			1.350
Fabric gr. 3	Hallingdal, Mylla, Steelcut Quartet, Steelcut Trio	Oak	6-8 weeks	8.00 kg	1.330
		Walnut			1.395
Fabric gr. 4	Acca, Cifrado, Ecriture, Vidar	Oak	6-8 weeks	8.00 kg	1.465
		Walnut			1.530
Fabric gr. 5	Gentle, Karakorum, Sisu	Oak	6-8 weeks	8.00 kg	1.735
		Walnut			1.800
Fabric gr. 6	Fuse	Oak	6-8 weeks	8.00 kg	1.915
		Walnut			1.980
Leather	Tailor Semi-aniline leather	Oak	6-8 weeks	8.00 kg	1.530
		Walnut			1.600
Leather	Noble Aniline leather	Oak	6-8 weeks	8.00 kg	1.800
		Walnut			1.870
Leather	Elmosoft Semi-aniline leather	Oak	6-8 weeks	8.00 kg	2.005
		Walnut			2.070
COM	Fabric	Oak	6-8 weeks	8.00 kg	1.150
		Walnut			1.215

Product no.	Product	Variant	Lead time	PRICE EX. STATE TAX
145307	Plastic gliders for Drawn, Elefy w. wood base, Rely w. tube (ex. stacking) & wood base, Muno, and Meantime Lounge Chairs, 4 pcs	Black	Stock item	20
145308	Felt gliders for Drawn, Elefy w. wood base, Rely w. tube (ex. stacking) & wood base, Muno, and Meantime Lounge Chairs, 4 pcs	Black	Stock item	20



EU Ecolabel certified, validating high standards of durability, circular design, and responsible use of chemicals. Please contact our sales team for a list of EU Ecolabel compliant combinations.



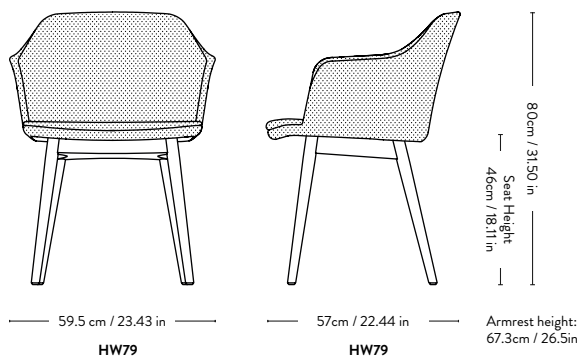
Made using FSC® certified wood, supporting responsible environmental, social and economical management of the world's forests. Visit www.fsc.org

Material: Shell made from 100% recycled polypropylene with fiber glass, covered with HR foam with fabric or leather upholstery. Water based lacquered oak or walnut base.

Plastic gliders installed as standard.
Felt gliders available upon request.

Fabric usage: 1.5 meters based on 140cm roll.
Leather usage: 2.8 square meters based on a yield of 60% pr hide.

COM must be approved by &Tradition to ensure suitability for upholstery.



Rely^{HW80} Hee Welling 2022



Please note that price is accumulated price of shell & seat.

Fabric gr.	Upholstery	Base	Lead time	Weight	PRICE EX. STATE TAX
Fabric gr. 1	Grain, Hot Madison, Remix, Re-Wool	Oak Walnut	6-8 weeks	8.00 kg	925 990
Fabric gr. 2	Barnum, Canvas, Fiord	Oak Walnut	6-8 weeks	8.00 kg	990 1.055
Fabric gr. 3	Hallingdal, Mylla, Steelcut Quartet, Steelcut Trio	Oak Walnut	6-8 weeks	8.00 kg	1.015 1.080
Fabric gr. 4	Acca, Cifrado, Ecriture, Vidar	Oak Walnut	6-8 weeks	8.00 kg	1.080 1.145
Fabric gr. 5	Gentle, Karakorum, Sisu	Oak Walnut	6-8 weeks	8.00 kg	1.260 1.325
Fabric gr. 6	Fuse	Oak Walnut	6-8 weeks	8.00 kg	1.395 1.460
Leather	Tailor Semi-aniline leather	Oak Walnut	6-8 weeks	8.00 kg	1.170 1.240
Leather	Noble Aniline leather	Oak Walnut	6-8 weeks	8.00 kg	1.415 1.485
Leather	Elmosoft Semi-aniline leather	Oak Walnut	6-8 weeks	8.00 kg	1.530 1.595
COM	Fabric	Oak Walnut	6-8 weeks	8.00 kg	925 990

Fabric gr.	Seat Upholstery	Lead time	PRICE EX. STATE TAX
Fabric gr. 1	Grain, Hot Madison, Remix, Re-Wool	6-8 weeks	225
Fabric gr. 2	Barnum, Canvas, Fiord	6-8 weeks	295
Fabric gr. 3	Hallingdal, Mylla, Steelcut Quartet, Steelcut Trio	6-8 weeks	315
Fabric gr. 4	Acca, Cifrado, Ecriture, Vidar	6-8 weeks	385
Fabric gr. 5	Gentle, Karakorum, Sisu	6-8 weeks	475
Fabric gr. 6	Fuse	6-8 weeks	520
Leather	Tailor Semi-aniline leather	6-8 weeks	360
Leather	Noble Aniline leather	6-8 weeks	385
Leather	Elmosoft Semi-aniline leather	6-8 weeks	475
COM	Fabric	6-8 weeks	225

Rely ^{HW80} Hee Welling 2022



Product no.	Product	Variant	Lead time	PRICE EX. STATE TAX
145307	Plastic gliders for Drawn, Elefy w. wood base, Rely w. tube (ex. stacking) & wood base, Muno, and Meantime Lounge Chairs, 4 pcs	Black	Stock item	20
145308	Felt gliders for Drawn, Elefy w. wood base, Rely w. tube (ex. stacking) & wood base, Muno, and Meantime Lounge Chairs, 4 pcs	Black	Stock item	20



EU Ecolabel certified, validating high standards of durability, circular design, and responsible use of chemicals. Please contact our sales team for a list of EU Ecolabel compliant combinations.

EU Ecolabel - DK/049/019



Made using FSC® certified wood, supporting responsible environmental, social and economical management of the world's forests. Visit www.fsc.org

The mark of responsible forestry

Material: Shell made from 100% recycled polypropylene with fiber glass, covered with HR foam with fabric or leather upholstery. Water based lacquered oak or walnut base.

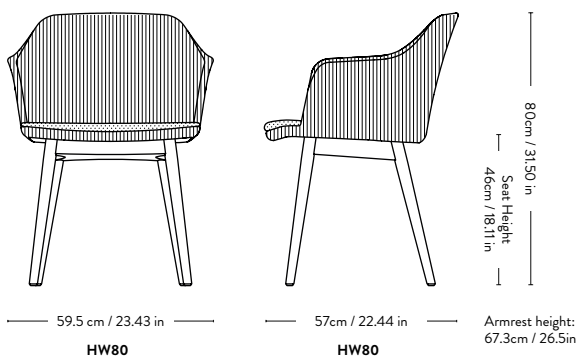
Plastic gliders installed as standard.
Felt gliders available upon request.

Fabric usage: 2.3 meter (Shell: 1.5 meters / Seat: 0.8 meter) based on a 140 cm roll.

Leather usage: 3.4 square meters (Shell: 2.6 sqm / Seat: 0.8 sqm) based on a yield of 60% pr hide.

COM must be approved by &Tradition to ensure suitability for upholstery.

Minimum order quantity of same variant: 4 pcs.



Rely ^{HW81} Hee Welling 2022



Product no.	Shell Variant	Base	Colli qty.	Lead time	Weight	PRICE EX. STATE TAX
HW	Black	Black, Bronzed	1 pc	2-3 weeks	5.30 kg	520
HW	White	Black, Bronzed	1 pc	2-3 weeks	5.30 kg	520
HW	Beige Sand	Black, Bronzed	1 pc	2-3 weeks	5.30 kg	520
HW	Red Brown	Black, Bronzed	1 pc	2-3 weeks	5.30 kg	520
HW	Light Blue	Black, Bronzed	1 pc	2-3 weeks	5.30 kg	520
HW	Stone Grey	Black, Bronzed	1 pc	2-3 weeks	5.30 kg	520

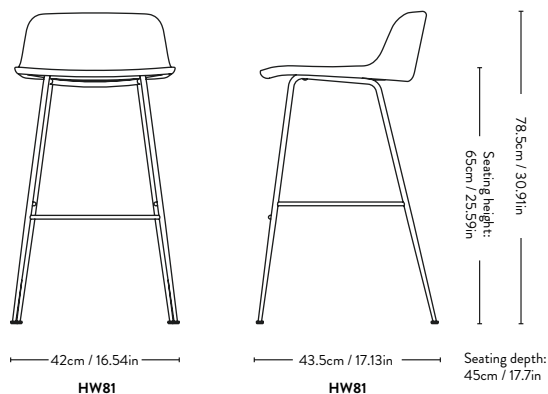
Product no.	Product	Variant	Lead time	PRICE EX. STATE TAX
145307	Plastic gliders for Drawn, Elefy w. wood base, Rely w. tube (ex. stacking) & wood base, Muno, and Meantime Lounge Chairs, 4 pcs	Black	Stock item	20
145308	Felt gliders for Drawn, Elefy w. wood base, Rely w. tube (ex. stacking) & wood base, Muno, and Meantime Lounge Chairs, 4 pcs	Black	Stock item	20



EU Ecolabel certified, validating high standards of durability, circular design, and responsible use of chemicals. Please contact our sales team for a list of EU Ecolabel compliant combinations.

Material: Shell made from 100% recycled polypropylene with fiber glass and a steel tube base.

Plastic gliders installed as standard. Felt gliders available upon request.



Rely ^{HW82} Hee Welling 2022



Fabric gr.	Shell	Seat Cushion Upholstery	Base	Lead time	Weight	PRICE EX. STATE TAX
Fabric gr. 1	Plastic	Grain, Hot Madison, Remix, Re-Wool	Black, Bronzed	4-6 weeks	6.00 kg	745
Fabric gr. 2	Plastic	Barnum, Canvas, Fiord	Black, Bronzed	4-6 weeks	6.00 kg	810
Fabric gr. 3	Plastic	Hallingdal, Mylla, Steelcut Quartet, Steelcut Trio	Black, Bronzed	4-6 weeks	6.00 kg	835
Fabric gr. 4	Plastic	Acca, Beda, Cifrado, Ecriture, Vidar	Black, Bronzed	4-6 weeks	6.00 kg	900
Fabric gr. 5	Plastic	Gentle, Karakorum, Sisu	Black, Bronzed	4-6 weeks	6.00 kg	990
Fabric gr. 6	Plastic	Fuse	Black, Bronzed	4-6 weeks	6.00 kg	1080
Leather	Plastic	Tailor Semi-aniline leather	Black, Bronzed	4-6 weeks	6.00 kg	835
Leather	Plastic	Noble Aniline leather	Black, Bronzed	4-6 weeks	6.00 kg	900
Leather	Plastic	Elmosoft Semi-aniline leather	Black, Bronzed	4-6 weeks	6.00 kg	970
COM	Plastic	Fabric	Black, Bronzed	4-6 weeks	6.00 kg	745

Product no.	Product	Variant	Lead time	PRICE EX. STATE TAX
145307	Plastic gliders for Drawn, Elefy w. wood base, Rely w. tube (ex. stacking) & wood base, Muno, and Meantime Lounge Chairs, 4 pcs	Black	Stock item	20
145308	Felt gliders for Drawn, Elefy w. wood base, Rely w. tube (ex. stacking) & wood base, Muno, and Meantime Lounge Chairs, 4 pcs	Black	Stock item	20



EU Ecolabel certified, validating high standards of durability, circular design, and responsible use of chemicals. Please contact our sales team for a list of EU Ecolabel compliant combinations.

EU Ecolabel : DK/049/019



Made using FSC® certified wood, supporting responsible environmental, social and economical management of the world's forests. Visit www.fsc.org

The mark of responsible forestry

Plastic shell variants

Black, White, Beige Sand, Red Brown, Light Blue, Stone Grey

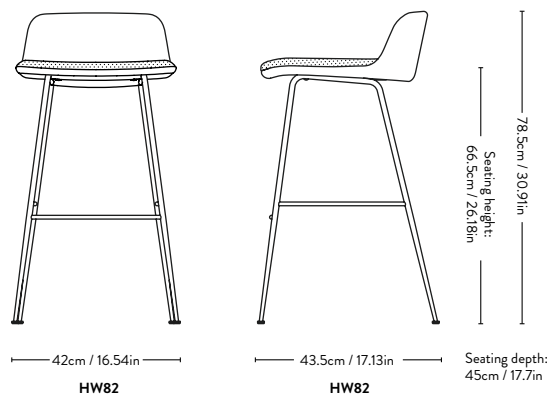
Material: Shell made from 100% recycled polypropylene with fiber glass, HR foam seat covered with fabric or leather upholstery, steel tube base.

Plastic gliders installed as standard.
Felt gliders available upon request.

Fabric usage: 0.7 meter based on a 140 cm roll.

Leather usage: 1 square meter based on a yield of 60% pr hide.

COM must be approved by &Tradition to ensure suitability for upholstery.



Rely ^{HW83} Hee Welling 2022



Fabric gr.	Upholstery	Base	Lead time	Weight	PRICE EX. STATE TAX
Fabric gr. 1	Grain, Hot Madison, Remix, Re-Wool	Black, Bronzed	4-6 weeks	5.60 kg	900
Fabric gr. 2	Barnum, Canvas, Fiord	Black, Bronzed	4-6 weeks	5.60 kg	1.035
Fabric gr. 3	Hallingdal, Mylla, Steelcut Quartet, Steelcut Trio	Black, Bronzed	4-6 weeks	5.60 kg	1.080
Fabric gr. 4	Acca, Beda, Cifrado, Ecriture, Vidar	Black, Bronzed	4-6 weeks	5.60 kg	1.195
Fabric gr. 5	Gentle, Karakorum, Sisu	Black, Bronzed	4-6 weeks	5.60 kg	1.465
Fabric gr. 6	Fuse	Black, Bronzed	4-6 weeks	5.60 kg	1.600
Leather	Tailor Semi-aniline leather	Black, Bronzed	4-6 weeks	5.60 kg	1.260
Leather	Noble Aniline leather	Black, Bronzed	4-6 weeks	5.60 kg	1.330
Leather	Elmosoft Semi-aniline leather	Black, Bronzed	4-6 weeks	5.60 kg	1.440
COM	Fabric	Black, Bronzed	4-6 weeks	5.60 kg	900

Product no.	Product	Variant	Lead time	PRICE EX. STATE TAX
145307	Plastic gliders for Drawn, Elefy w. wood base, Rely w. tube (ex. stacking) & wood base, Muno, and Meantime Lounge Chairs, 4 pcs	Black	Stock item	20
145308	Felt gliders for Drawn, Elefy w. wood base, Rely w. tube (ex. stacking) & wood base, Muno, and Meantime Lounge Chairs, 4 pcs	Black	Stock item	20



EU Ecolabel certified, validating high standards of durability, circular design, and responsible use of chemicals. Please contact our sales team for a list of EU Ecolabel compliant combinations.

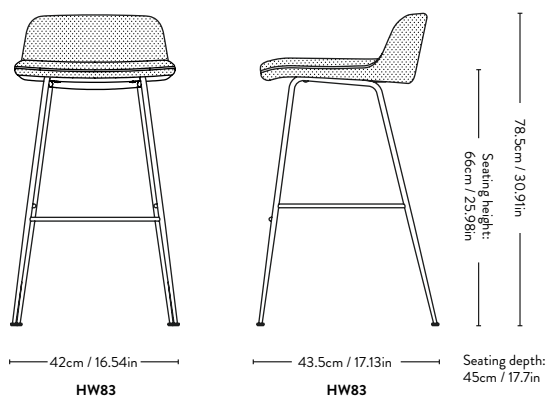
Material: Shell made from 100% recycled polypropylene with fiber glass, covered with HR foam with fabric or leather upholstery, steel tube base.

Plastic gliders installed as standard. Felt gliders available upon request.

Fabric usage: 0.9 meters based on 140cm roll.

Leather usage: 1.7 square meters based on a yield of 60% pr hide.

COM must be approved by &Tradition to ensure suitability for upholstery.



Rely ^{HW84} Hee Welling 2022



Fabric gr.	Upholstery	Base	Lead time	Weight	PRICE EX. STATE TAX
Fabric gr. 1	Grain, Hot Madison, Remix, Re-Wool	Black, Bronzed	4-6 weeks	6.20 kg	945
Fabric gr. 2	Barnum, Canvas, Fiord	Black, Bronzed	4-6 weeks	6.20 kg	1.080
Fabric gr. 3	Hallingdal, Mylla, Steelcut Quartet, Steelcut Trio	Black, Bronzed	4-6 weeks	6.20 kg	1.125
Fabric gr. 4	Acca, Beda, Cifrado, Ecriture, Vidar	Black, Bronzed	4-6 weeks	6.20 kg	1.240
Fabric gr. 5	Gentle, Karakorum, Sisu	Black, Bronzed	4-6 weeks	6.20 kg	1.510
Fabric gr. 6	Fuse	Black, Bronzed	4-6 weeks	6.20 kg	1.665
Leather	Tailor Semi-aniline leather	Black, Bronzed	4-6 weeks	6.20 kg	1.305
Leather	Noble Aniline leather	Black, Bronzed	4-6 weeks	6.20 kg	1.375
Leather	Elmosoft Semi-aniline leather	Black, Bronzed	4-6 weeks	6.20 kg	1.510
COM	Fabric	Black, Bronzed	4-6 weeks	6.20 kg	945

Product no.	Product	Variant	Lead time	PRICE EX. STATE TAX
145307	Plastic gliders for Drawn, Elefy w. wood base, Rely w. tube (ex. stacking) & wood base, Muno, and Meantime Lounge Chairs, 4 pcs	Black	Stock item	20
145308	Felt gliders for Drawn, Elefy w. wood base, Rely w. tube (ex. stacking) & wood base, Muno, and Meantime Lounge Chairs, 4 pcs	Black	Stock item	20



EU Ecolabel certified, validating high standards of durability, circular design, and responsible use of chemicals. Please contact our sales team for a list of EU Ecolabel compliant combinations.



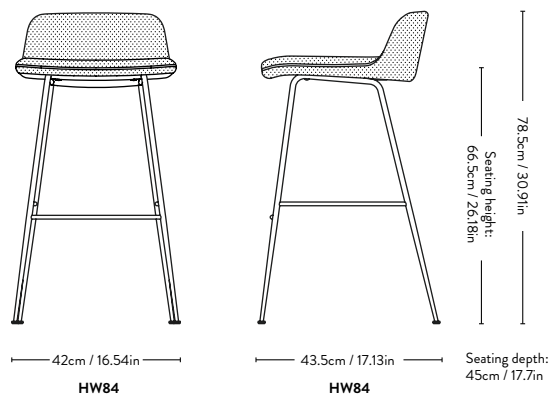
Made using FSC® certified wood, supporting responsible environmental, social and economical management of the world's forests. Visit www.fsc.org

Material: Shell made from 100% recycled polypropylene with fiber glass, covered with HR foam with fabric or leather upholstery, steel tube base.

Plastic gliders installed as standard.
Felt gliders available upon request.

Fabric usage: 0.9 meters based on 140cm roll.
Leather usage: 1.7 square meters based on a yield of 60% pr hide.

COM must be approved by &Tradition to ensure suitability for upholstery.



Rely^{HW85} Hee Welling 2022



Please note that price is accumulated price of shell & seat.

Fabric gr.	Upholstery	Base	Lead time	Weight	PRICE EX. STATE TAX
Fabric gr. 1	Grain, Hot Madison, Remix, Re-Wool	Black, Bronzed	4-6 weeks	10.50 kg	720
Fabric gr. 2	Barnum, Canvas, Fiord	Black, Bronzed	4-6 weeks	10.50 kg	785
Fabric gr. 3	Hallingdal, Mylla, Steelcut Quartet, Steelcut Trio	Black, Bronzed	4-6 weeks	10.50 kg	810
Fabric gr. 4	Acca, Beda, Cifrado, Ecriture, Vidar	Black, Bronzed	4-6 weeks	10.50 kg	855
Fabric gr. 5	Gentle, Karakorum, Sisu	Black, Bronzed	4-6 weeks	10.50 kg	1.035
Fabric gr. 6	Fuse	Black, Bronzed	4-6 weeks	10.50 kg	1.145
Leather	Tailor Semi-aniline leather	Black, Bronzed	4-6 weeks	10.50 kg	945
Leather	Noble Aniline leather	Black, Bronzed	4-6 weeks	10.50 kg	990
Leather	Elmosoft Semi-aniline leather	Black, Bronzed	4-6 weeks	10.50 kg	1.035
COM	Fabric	Black, Bronzed	4-6 weeks	10.50 kg	700

Fabric gr.	Seat Upholstery	Lead time	PRICE EX. STATE TAX
Fabric gr. 1	Grain, Hot Madison, Remix, Re-Wool	4-6 weeks	225
Fabric gr. 2	Barnum, Canvas, Fiord	4-6 weeks	295
Fabric gr. 3	Hallingdal, Mylla, Steelcut Quartet, Steelcut Trio	4-6 weeks	315
Fabric gr. 4	Acca, Beda, Cifrado, Ecriture, Vidar	4-6 weeks	385
Fabric gr. 5	Gentle, Karakorum, Sisu	4-6 weeks	475
Fabric gr. 6	Fuse	4-6 weeks	520
Leather	Tailor Semi-aniline leather	4-6 weeks	360
Leather	Noble Aniline leather	4-6 weeks	385
Leather	Elmosoft Semi-aniline leather	4-6 weeks	475
COM	Fabric	4-6 weeks	225

Rely ^{HW85} Hee Welling 2022



Product no.	Product	Variant	Lead time	PRICE EX. STATE TAX
145307	Plastic gliders for Drawn, Elefy w. wood base, Rely w. tube (ex. stacking) & wood base, Muno, and Meantime Lounge Chairs, 4 pcs	Black	Stock item	20
145308	Felt gliders for Drawn, Elefy w. wood base, Rely w. tube (ex. stacking) & wood base, Muno, and Meantime Lounge Chairs, 4 pcs	Black	Stock item	20



EU Ecolabel certified, validating high standards of durability, circular design, and responsible use of chemicals. Please contact our sales team for a list of EU Ecolabel compliant combinations.



Made using FSC® certified wood, supporting responsible environmental, social and economical management of the world's forests. Visit www.fsc.org

Material: Shell made from 100% recycled polypropylene with fiber glass, covered with HR foam with fabric or leather upholstery, steel tube base.

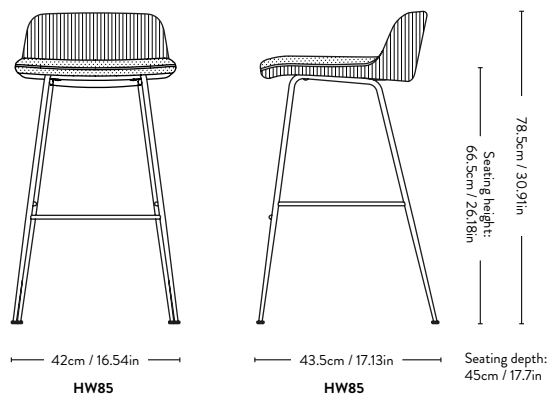
Plastic gliders installed as standard. Felt gliders available upon request.

Fabric usage: 1.5 meter (Shell: 0.8 meters / Seat: 0.7 meter) based on 140cm roll.

Leather usage: 2.3 square meters (Shell: 1.7 square meters, Seat: 0.6 square meters (cushion) based on a yield of 60% pr hide).

COM must be approved by &Tradition to ensure suitability for upholstery.

Minimum order quantity of same variant: 4 pcs.



Rely ^{HW86} Hee Welling 2022



Shell Variant	Base	Colli qty.	Lead time	Weight	PRICE EX. STATE TAX
Black	Black, Bronzed	1 pc	2-3 weeks	5.50 kg	520
White	Black, Bronzed	1 pc	2-3 weeks	5.50 kg	520
Beige Sand	Black, Bronzed	1 pc	2-3 weeks	5.50 kg	520
Red Brown	Black, Bronzed	1 pc	2-3 weeks	5.50 kg	520
Light Blue	Black, Bronzed	1 pc	2-3 weeks	5.50 kg	520
Stone Grey	Black, Bronzed	1 pc	2-3 weeks	5.50 kg	520

Product no.	Product	Variant	Lead time	PRICE EX. STATE TAX
145307	Plastic gliders for Drawn, Elefy w. wood base, Rely w. tube (ex. stacking) & wood base, Muno, and Meantime Lounge Chairs, 4 pcs	Black	Stock item	20
145308	Felt gliders for Drawn, Elefy w. wood base, Rely w. tube (ex. stacking) & wood base, Muno, and Meantime Lounge Chairs, 4 pcs	Black	Stock item	20

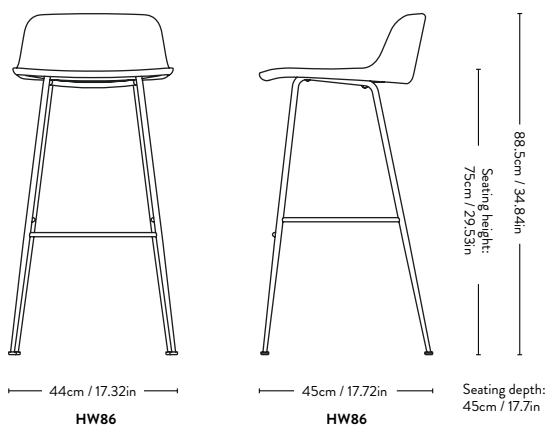


EU Ecolabel certified, validating high standards of durability, circular design, and responsible use of chemicals.

Please contact our sales team for a list of EU Ecolabel compliant combinations.

Material: Shell made from 100% recycled polypropylene with fiber glass and a steel tube base.

Plastic gliders installed as standard.
Felt gliders available upon request.



Rely ^{HW87} Hee Welling 2022



Fabric gr.	Shell	Seat Cushion Upholstery	Base	Lead time	Weight	PRICE EX. STATE TAX
Fabric gr. 1	Plastic	Grain, Hot Madison, Remix, Re-Wool	Black, Bronzed	4-6 weeks	6.30 kg	745
Fabric gr. 2	Plastic	Barnum, Canvas, Fiord	Black, Bronzed	4-6 weeks	6.30 kg	810
Fabric gr. 3	Plastic	Hallingdal, Mylla, Steelcut Quartet, Steelcut Trio	Black, Bronzed	4-6 weeks	6.30 kg	835
Fabric gr. 4	Plastic	Acca, Beda, Cifrado, Ecriture, Vidar	Black, Bronzed	4-6 weeks	6.30 kg	900
Fabric gr. 5	Plastic	Gentle, Karakorum, Sisu	Black, Bronzed	4-6 weeks	6.30 kg	990
Fabric gr. 6	Plastic	Fuse	Black, Bronzed	4-6 weeks	6.30 kg	1080
Leather	Plastic	Tailor Semi-aniline leather	Black, Bronzed	4-6 weeks	6.30 kg	835
Leather	Plastic	Noble Aniline leather	Black, Bronzed	4-6 weeks	6.30 kg	900
Leather	Plastic	Elmosoft Semi-aniline leather	Black, Bronzed	4-6 weeks	6.30 kg	970
COM	Plastic	Fabric	Black, Bronzed	4-6 weeks	6.30 kg	745

Product no.	Product	Variant	Lead time	PRICE EX. STATE TAX
145307	Plastic gliders for Drawn, Elefy w. wood base, Rely w. tube (ex. stacking) & wood base, Muno, and Meantime Lounge Chairs, 4 pcs	Black	Stock item	20
145308	Felt gliders for Drawn, Elefy w. wood base, Rely w. tube (ex. stacking) & wood base, Muno, and Meantime Lounge Chairs, 4 pcs	Black	Stock item	20



EU Ecolabel certified, validating high standards of durability, circular design, and responsible use of chemicals. Please contact our sales team for a list of EU Ecolabel compliant combinations.

EU Ecolabel | DK/049/019



Made using FSC® certified wood, supporting responsible environmental, social and economical management of the world's forests. Visit www.fsc.org

The mark of responsible forestry

Plastic shell variants

Black, White, Beige Sand, Red Brown, Light Blue, Stone Grey

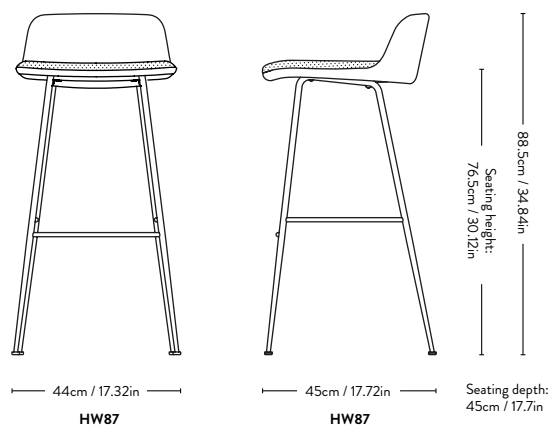
Material: Shell made from 100% recycled polypropylene with fiber glass, HR foam seat covered with fabric or leather upholstery, steel tube base.

Plastic gliders installed as standard.
Felt gliders available upon request.

Fabric usage: 0.7 meter based on a 140 cm roll.

Leather usage: 1 square meter based on a yield of 60% pr hide.

COM must be approved by &Tradition to ensure suitability for upholstery.



Rely ^{HW88} Hee Welling 2022



Fabric gr.	Upholstery	Base	Lead time	Weight	PRICE EX. STATE TAX
Fabric gr. 1	Grain, Hot Madison, Remix, Re-Wool	Black, Bronzed	4-6 weeks	5.80 kg	900
Fabric gr. 2	Barnum, Canvas, Fiord	Black, Bronzed	4-6 weeks	5.80 kg	1.035
Fabric gr. 3	Hallingdal, Mylla, Steelcut Quartet, Steelcut Trio	Black, Bronzed	4-6 weeks	5.80 kg	1.080
Fabric gr. 4	Acca, Beda, Cifrado, Ecriture, Vidar	Black, Bronzed	4-6 weeks	5.80 kg	1.195
Fabric gr. 5	Gentle, Karakorum, Sisu	Black, Bronzed	4-6 weeks	5.80 kg	1.465
Fabric gr. 6	Fuse	Black, Bronzed	4-6 weeks	5.80 kg	1.600
Leather	Tailor Semi-aniline leather	Black, Bronzed	4-6 weeks	5.80 kg	1.260
Leather	Noble Aniline leather	Black, Bronzed	4-6 weeks	5.80 kg	1.330
Leather	Elmosoft Semi-aniline leather	Black, Bronzed	4-6 weeks	5.80 kg	1.440
COM	Fabric	Black, Bronzed	4-6 weeks	5.80 kg	900

Product no.	Product	Variant	Lead time	PRICE EX. STATE TAX
145307	Plastic gliders for Drawn, Elefy w. wood base, Rely w. tube (ex. stacking) & wood base, Muno, and Meantime Lounge Chairs, 4 pcs	Black	Stock item	20
145308	Felt gliders for Drawn, Elefy w. wood base, Rely w. tube (ex. stacking) & wood base, Muno, and Meantime Lounge Chairs, 4 pcs	Black	Stock item	20



EU Ecolabel certified, validating high standards of durability, circular design, and responsible use of chemicals. Please contact our sales team for a list of EU Ecolabel compliant combinations.

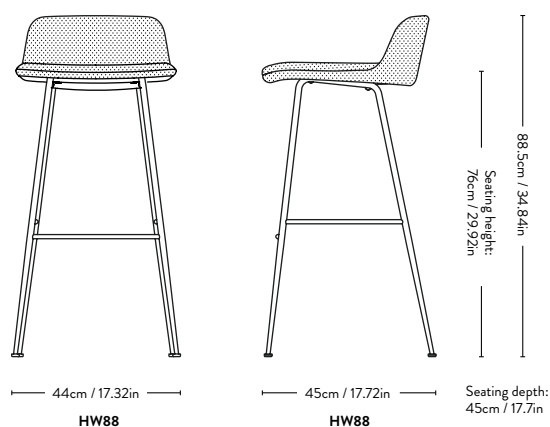
Material: Shell made from 100% recycled polypropylene with fiber glass, covered with HR foam with fabric or leather upholstery, steel tube base.

Plastic gliders installed as standard.
Felt gliders available upon request.

Fabric usage: 0.9 meters based on 140cm roll.

Leather usage: 1.7 square meters based on a yield of 60% pr hide.

COM must be approved by &Tradition to ensure suitability for upholstery.



Rely ^{HW89} Hee Welling 2022



Fabric gr.	Upholstery	Base	Lead time	Weight	PRICE EX. STATE TAX
Fabric gr. 1	Grain, Hot Madison, Remix, Re-Wool	Black, Bronzed	4-6 weeks	6.50 kg	945
Fabric gr. 2	Barnum, Canvas, Fiord	Black, Bronzed	4-6 weeks	6.50 kg	1.080
Fabric gr. 3	Hallingdal, Mylla, Steelcut Quartet, Steelcut Trio	Black, Bronzed	4-6 weeks	6.50 kg	1.125
Fabric gr. 4	Acca, Beda, Cifrado, Ecriture, Vidar	Black, Bronzed	4-6 weeks	6.50 kg	1.240
Fabric gr. 5	Gentle, Karakorum, Sisu	Black, Bronzed	4-6 weeks	6.50 kg	1.510
Fabric gr. 6	Fuse	Black, Bronzed	4-6 weeks	6.50 kg	1.665
Leather	Tailor Semi-aniline leather	Black, Bronzed	4-6 weeks	6.50 kg	1.305
Leather	Noble Aniline leather	Black, Bronzed	4-6 weeks	6.50 kg	1.375
Leather	Elmosoft Semi-aniline leather	Black, Bronzed	4-6 weeks	6.50 kg	1.510
COM	Fabric	Black, Bronzed	4-6 weeks	6.50 kg	945

Product no.	Product	Variant	Lead time	PRICE EX. STATE TAX
145307	Plastic gliders for Drawn, Elefy w. wood base, Rely w. tube (ex. stacking) & wood base, Muno, and Meantime Lounge Chairs, 4 pcs	Black	Stock item	20
145308	Felt gliders for Drawn, Elefy w. wood base, Rely w. tube (ex. stacking) & wood base, Muno, and Meantime Lounge Chairs, 4 pcs	Black	Stock item	20



EU Ecolabel : DK/049/019

EU Ecolabel certified, validating high standards of durability, circular design, and responsible use of chemicals. Please contact our sales team for a list of EU Ecolabel compliant combinations.



The mark of responsible forestry

Made using FSC® certified wood, supporting responsible environmental, social and economical management of the world's forests. Visit www.fsc.org

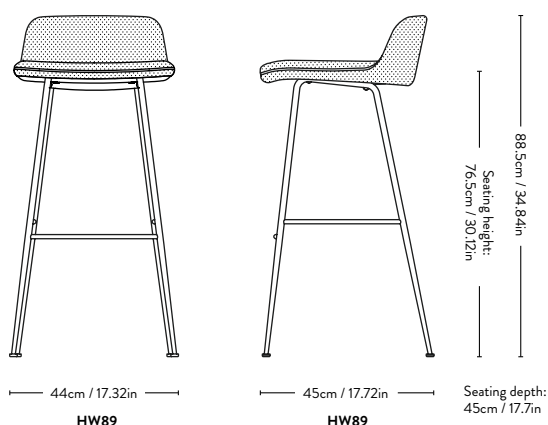
Material: Shell made from 100% recycled polypropylene with fiber glass, covered with HR foam with fabric or leather upholstery, steel tube base.

Plastic gliders installed as standard.
Felt gliders available upon request.

Fabric usage: 0.9 meters based on 140cm roll.

Leather usage: 1.7 square meters based on a yield of 60% pr hide.

COM must be approved by &Tradition to ensure suitability for upholstery.



Rely^{HW90} Hee Welling 2022



Please note that price is accumulated price of shell & seat.

Fabric gr.	Upholstery	Base	Lead time	Weight	PRICE EX. STATE TAX
Fabric gr. 1	Grain, Hot Madison, Remix, Re-Wool	Black, Bronzed	4-6 weeks	10.50 kg	720
Fabric gr. 2	Barnum, Canvas, Fiord	Black, Bronzed	4-6 weeks	10.50 kg	785
Fabric gr. 3	Hallingdal, Mylla, Steelcut Quartet, Steelcut Trio	Black, Bronzed	4-6 weeks	10.50 kg	810
Fabric gr. 4	Acca, Beda, Cifrado, Ecriture, Vidar	Black, Bronzed	4-6 weeks	10.50 kg	855
Fabric gr. 5	Gentle, Karakorum, Sisu	Black, Bronzed	4-6 weeks	10.50 kg	1.035
Fabric gr. 6	Fuse	Black, Bronzed	4-6 weeks	10.50 kg	1.145
Leather	Tailor Semi-aniline leather	Black, Bronzed	4-6 weeks	10.50 kg	945
Leather	Noble Aniline leather	Black, Bronzed	4-6 weeks	10.50 kg	990
Leather	Elmosoft Semi-aniline leather	Black, Bronzed	4-6 weeks	10.50 kg	1.035
COM	Fabric	Black, Bronzed	4-6 weeks	10.50 kg	720

Fabric gr.	Seat Upholstery	Lead time	PRICE EX. STATE TAX
Fabric gr. 1	Grain, Hot Madison, Remix, Re-Wool	4-6 weeks	225
Fabric gr. 2	Barnum, Canvas, Fiord	4-6 weeks	295
Fabric gr. 3	Hallingdal, Mylla, Steelcut Quartet, Steelcut Trio	4-6 weeks	315
Fabric gr. 4	Acca, Beda, Cifrado, Ecriture, Vidar	4-6 weeks	385
Fabric gr. 5	Gentle, Karakorum, Sisu	4-6 weeks	475
Fabric gr. 6	Fuse	4-6 weeks	520
Leather	Tailor Semi-aniline leather	4-6 weeks	360
Leather	Noble Aniline leather	4-6 weeks	385
Leather	Elmosoft Semi-aniline leather	4-6 weeks	475
COM	Fabric	4-6 weeks	225

Rely HW90 Hee Welling 2022



Product no.	Product	Variant	Lead time	PRICE EX. STATE TAX
145307	Plastic gliders for Drawn, Elefy w. wood base, Rely w. tube (ex. stacking) & wood base, Muno, and Meantime Lounge Chairs, 4 pcs	Black	Stock item	20
145308	Felt gliders for Drawn, Elefy w. wood base, Rely w. tube (ex. stacking) & wood base, Muno, and Meantime Lounge Chairs, 4 pcs	Black	Stock item	20



EU Ecolabel : DK/049/019



The mark of responsible forestry

EU Ecolabel certified, validating high standards of durability, circular design, and responsible use of chemicals. Please contact our sales team for a list of EU Ecolabel compliant combinations.

Made using FSC® certified wood, supporting responsible environmental, social and economical management of the world's forests. Visit www.fsc.org

Material: Shell made from 100% recycled polypropylene with fiber glass, covered with HR foam with fabric or leather upholstery, steel tube base.

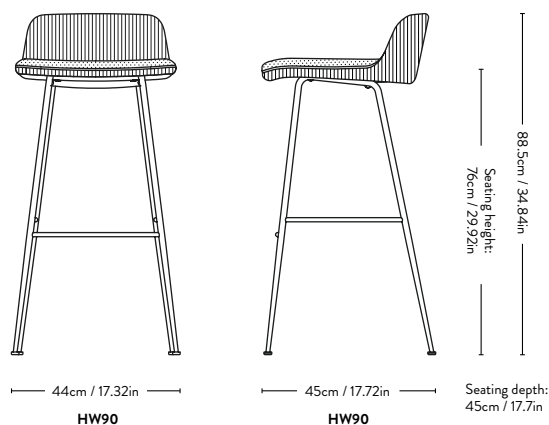
Plastic gliders installed as standard.
Felt gliders available upon request.

Fabric usage: 1.5 meter (Shell: 0.8 meters / Seat: 0.7 meter) based on 140cm roll.

Leather usage: 2.3 square meters (Shell: 1.7 square meters, 0.6 square meters (cushion) based on a yield of 60% pr hide).

COM must be approved by &Tradition to ensure suitability for upholstery.

Minimum order quantity of same variant: 4 pcs.



Rely ^{HW91} Hee Welling 2022



Shell Variant	Base	Colli qty.	Lead time	Weight	PRICE EX. STATE TAX
Black	Black, Bronzed	1 pc	2-3 weeks	7.10 kg	565
White	Black, Bronzed	1 pc	2-3 weeks	7.10 kg	565
Beige Sand	Black, Bronzed	1 pc	2-3 weeks	7.10 kg	565
Red Brown	Black, Bronzed	1 pc	2-3 weeks	7.10 kg	565
Light Blue	Black, Bronzed	1 pc	2-3 weeks	7.10 kg	565
Stone Grey	Black, Bronzed	1 pc	2-3 weeks	7.10 kg	565

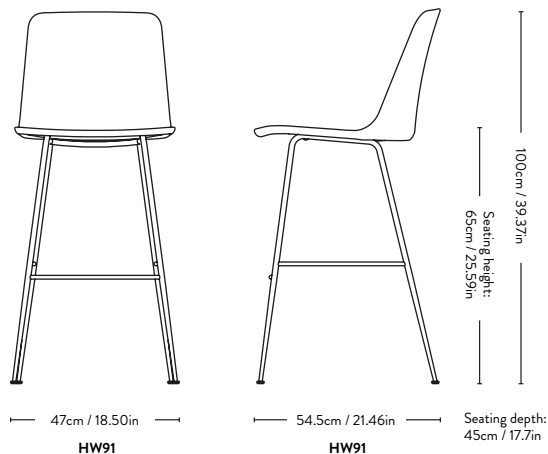
Product no.	Product	Variant	Lead time	PRICE EX. STATE TAX
145307	Plastic gliders for Drawn, Elefy w. wood base, Rely w. tube (ex. stacking) & wood base, Muno, and Meantime Lounge Chairs, 4 pcs	Black	Stock item	20
145308	Felt gliders for Drawn, Elefy w. wood base, Rely w. tube (ex. stacking) & wood base, Muno, and Meantime Lounge Chairs, 4 pcs	Black	Stock item	20



EU Ecolabel certified, validating high standards of durability, circular design, and responsible use of chemicals. Please contact our sales team for a list of EU Ecolabel compliant combinations.

Material: Shell made from 100% recycled polypropylene with fiber glass and a steel tube base.

Plastic gliders installed as standard. Felt gliders available upon request.



Rely ^{HW92} Hee Welling 2022



Fabric gr.	Shell	Seat Cushion Upholstery	Base	Lead time	Weight	PRICE EX. STATE TAX
Fabric gr. 1	Plastic	Grain, Hot Madison, Remix, Re-Wool	Black, Bronzed	4-6 weeks	7.90 kg	790
Fabric gr. 2	Plastic	Barnum, Canvas, Fiord	Black, Bronzed	4-6 weeks	7.90 kg	855
Fabric gr. 3	Plastic	Hallingdal, Mylla, Steelcut Quartet, Steelcut Trio	Black, Bronzed	4-6 weeks	7.90 kg	880
Fabric gr. 4	Plastic	Acca, Beda, Cifrado, Ecriture, Vidar	Black, Bronzed	4-6 weeks	7.90 kg	945
Fabric gr. 5	Plastic	Gentle, Karakorum, Sisu	Black, Bronzed	4-6 weeks	7.90 kg	1.035
Fabric gr. 6	Plastic	Fuse	Black, Bronzed	4-6 weeks	7.90 kg	1.150
Leather	Plastic	Tailor Semi-aniline leather	Black, Bronzed	4-6 weeks	7.90 kg	880
Leather	Plastic	Noble Aniline leather	Black, Bronzed	4-6 weeks	7.90 kg	945
Leather	Plastic	Elmosoft Semi-aniline leather	Black, Bronzed	4-6 weeks	7.90 kg	1.015
COM	Plastic	Fabric	Black, Bronzed	4-6 weeks	7.90 kg	790

Product no.	Product	Variant	Lead time	PRICE EX. STATE TAX
145307	Plastic gliders for Drawn, Elefy w. wood base, Rely w. tube (ex. stacking) & wood base, Muno, and Meantime Lounge Chairs, 4 pcs	Black	Stock item	20
145308	Felt gliders for Drawn, Elefy w. wood base, Rely w. tube (ex. stacking) & wood base, Muno, and Meantime Lounge Chairs, 4 pcs	Black	Stock item	20



EU Ecolabel certified, validating high standards of durability, circular design, and responsible use of chemicals. Please contact our sales team for a list of EU Ecolabel compliant combinations.

EU Ecolabel : DK/049/019



Made using FSC® certified wood, supporting responsible environmental, social and economical management of the world's forests. Visit www.fsc.org

The mark of responsible forestry

Plastic shell variants

Black, White, Beige Sand, Red Brown, Light Blue, Stone Grey

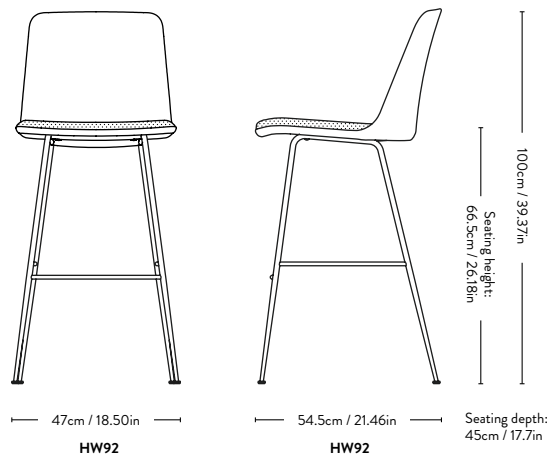
Material: Shell made from 100% recycled polypropylene with fiber glass, HR foam seat covered with fabric or leather upholstery, steel tube base.

Plastic gliders installed as standard.
Felt gliders available upon request.

Fabric usage: 0.8 meter based on a 140 cm roll.

Leather usage: 1 square meter based on a yield of 60% pr hide.

COM must be approved by &Tradition to ensure suitability for upholstery.



Rely ^{HW93} Hee Welling 2022



Fabric gr.	Upholstery	Base	Lead time	Weight	PRICE EX. STATE TAX
Fabric gr. 1	Grain, Hot Madison, Remix, Re-Wool	Black, Bronzed	4-6 weeks	7.60 kg	970
Fabric gr. 2	Barnum, Canvas, Fiord	Black, Bronzed	4-6 weeks	7.60 kg	1.105
Fabric gr. 3	Hallingdal, Mylla, Steelcut Quartet, Steelcut Trio	Black, Bronzed	4-6 weeks	7.60 kg	1.150
Fabric gr. 4	Acca, Beda, Cifrado, Ecriture, Vidar	Black, Bronzed	4-6 weeks	7.60 kg	1.260
Fabric gr. 5	Gentle, Karakorum, Sisu	Black, Bronzed	4-6 weeks	7.60 kg	1.530
Fabric gr. 6	Fuse	Black, Bronzed	4-6 weeks	7.60 kg	1.690
Leather	Tailor Semi-aniline leather	Black, Bronzed	4-6 weeks	7.60 kg	1.330
Leather	Noble Aniline leather	Black, Bronzed	4-6 weeks	7.60 kg	1.395
Leather	Elmosoft Semi-aniline leather	Black, Bronzed	4-6 weeks	7.60 kg	1.510
COM	Fabric	Black, Bronzed	4-6 weeks	7.60 kg	970

Product no.	Product	Variant	Lead time	PRICE EX. STATE TAX
145307	Plastic gliders for Drawn, Elefy w. wood base, Rely w. tube (ex. stacking) & wood base, Muno, and Meantime Lounge Chairs, 4 pcs	Black	Stock item	20
145308	Felt gliders for Drawn, Elefy w. wood base, Rely w. tube (ex. stacking) & wood base, Muno, and Meantime Lounge Chairs, 4 pcs	Black	Stock item	20



EU Ecolabel certified, validating high standards of durability, circular design, and responsible use of chemicals. Please contact our sales team for a list of EU Ecolabel compliant combinations.

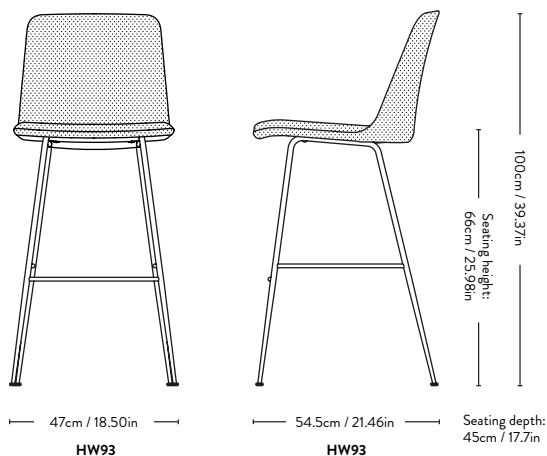
Material: Shell made from 100% recycled polypropylene with fiber glass, covered with HR foam with fabric or leather upholstery, steel tube base.

Plastic gliders installed as standard.
Felt gliders available upon request.

Fabric usage: 1.4 meters based on a 140cm roll.

Leather usage: 1.7 square meters based on a yield of 60% pr hide.

COM must be approved by &Tradition to ensure suitability for upholstery.



Rely ^{HW94} Hee Welling 2022



Fabric gr.	Upholstery	Base	Lead time	Weight	PRICE EX. STATE TAX
Fabric gr. 1	Grain, Hot Madison, Remix, Re-Wool	Black, Bronzed	4-6 weeks	8.70 kg	1.015
Fabric gr. 2	Barnum, Canvas, Fiord	Black, Bronzed	4-6 weeks	8.70 kg	1.150
Fabric gr. 3	Hallingdal, Mylla, Steelcut Quartet, Steelcut Trio	Black, Bronzed	4-6 weeks	8.70 kg	1.170
Fabric gr. 4	Acca, Beda, Cifrado, Ecriture, Vidar	Black, Bronzed	4-6 weeks	8.70 kg	1.305
Fabric gr. 5	Gentle, Karakorum, Sisu	Black, Bronzed	4-6 weeks	8.70 kg	1.575
Fabric gr. 6	Fuse	Black, Bronzed	4-6 weeks	8.70 kg	1.735
Leather	Tailor Semi-aniline leather	Black, Bronzed	4-6 weeks	8.70 kg	1.375
Leather	Noble Aniline leather	Black, Bronzed	4-6 weeks	8.70 kg	1.440
Leather	Elmosoft Semi-aniline leather	Black, Bronzed	4-6 weeks	8.70 kg	1.645
COM	Fabric	Black, Bronzed	4-6 weeks	8.70 kg	1.015

Product no.	Product	Variant	Lead time	PRICE EX. STATE TAX
145307	Plastic gliders for Drawn, Elefy w. wood base, Rely w. tube (ex. stacking) & wood base, Muno, and Meantime Lounge Chairs, 4 pcs	Black	Stock item	20
145308	Felt gliders for Drawn, Elefy w. wood base, Rely w. tube (ex. stacking) & wood base, Muno, and Meantime Lounge Chairs, 4 pcs	Black	Stock item	20



EU Ecolabel : DK/049/019

EU Ecolabel certified, validating high standards of durability, circular design, and responsible use of chemicals. Please contact our sales team for a list of EU Ecolabel compliant combinations.



The mark of responsible forestry

Made using FSC® certified wood, supporting responsible environmental, social and economical management of the world's forests. Visit www.fsc.org

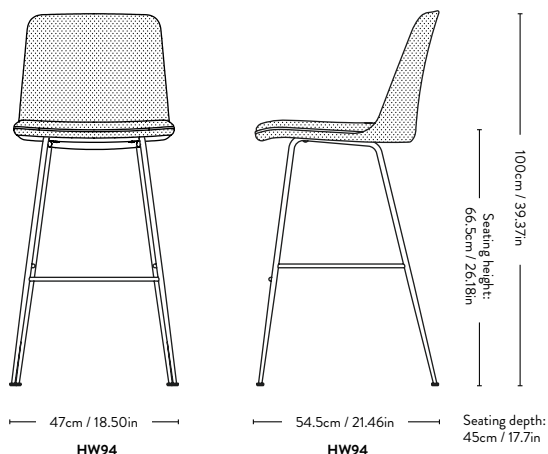
Material: Shell made from 100% recycled polypropylene with fiber glass, covered with HR foam with fabric or leather upholstery, steel tube base.

Plastic gliders installed as standard. Felt gliders available upon request.

Fabric usage: 1.4 meters based on a 140cm roll.

Leather usage: 1.7 square meters based on a yield of 60% pr hide.

COM must be approved by &Tradition to ensure suitability for upholstery.



Rely^{HW95} Hee Welling 2022



Please note that price is accumulated price of shell & seat.

Fabric gr.	Upholstery	Base	Lead time	Weight	PRICE EX. STATE TAX
Fabric gr. 1	Grain, Hot Madison, Remix, Re-Wool	Black, Bronzed	4-6 weeks	10.50 kg	790
Fabric gr. 2	Barnum, Canvas, Fiord	Black, Bronzed	4-6 weeks	10.50 kg	855
Fabric gr. 3	Hallingdal, Mylla, Steelcut Quartet, Steelcut Trio	Black, Bronzed	4-6 weeks	10.50 kg	855
Fabric gr. 4	Acca, Beda, Cifrado, Ecriture, Vidar	Black, Bronzed	4-6 weeks	10.50 kg	920
Fabric gr. 5	Gentle, Karakorum, Sisu	Black, Bronzed	4-6 weeks	10.50 kg	1.100
Fabric gr. 6	Fuse	Black, Bronzed	4-6 weeks	10.50 kg	1.215
Leather	Tailor Semi-aniline leather	Black, Bronzed	4-6 weeks	10.50 kg	1.015
Leather	Noble Aniline leather	Black, Bronzed	4-6 weeks	10.50 kg	1.055
Leather	Elmosoft Semi-aniline leather	Black, Bronzed	4-6 weeks	10.50 kg	1.170
COM	Fabric	Black, Bronzed	4-6 weeks	10.50 kg	790

Fabric gr.	Seat Upholstery	Lead time	PRICE EX. STATE TAX
Fabric gr. 1	Grain, Hot Madison, Remix, Re-Wool	4-6 weeks	225
Fabric gr. 2	Barnum, Canvas, Fiord	4-6 weeks	295
Fabric gr. 3	Hallingdal, Mylla, Steelcut Quartet, Steelcut Trio	4-6 weeks	315
Fabric gr. 4	Acca, Beda, Cifrado, Ecriture, Vidar	4-6 weeks	385
Fabric gr. 5	Gentle, Karakorum, Sisu	4-6 weeks	475
Fabric gr. 6	Fuse	4-6 weeks	520
Leather	Tailor Semi-aniline leather	4-6 weeks	360
Leather	Noble Aniline leather	4-6 weeks	385
Leather	Elmosoft Semi-aniline leather	4-6 weeks	475
COM	Fabric	4-6 weeks	225

Rely ^{HW95} Hee Welling 2022



Product no.	Product	Variant	Lead time	PRICE EX. STATE TAX
145307	Plastic gliders for Drawn, Elefy w. wood base, Rely w. tube (ex. stacking) & wood base, Muno, and Meantime Lounge Chairs, 4 pcs	Black	Stock item	20
145308	Felt gliders for Drawn, Elefy w. wood base, Rely w. tube (ex. stacking) & wood base, Muno, and Meantime Lounge Chairs, 4 pcs	Black	Stock item	20



EU Ecolabel certified, validating high standards of durability, circular design, and responsible use of chemicals. Please contact our sales team for a list of EU Ecolabel compliant combinations.



Made using FSC® certified wood, supporting responsible environmental, social and economical management of the world's forests. Visit www.fsc.org

Material: Shell made from 100% recycled polypropylene with fiber glass, covered with HR foam with fabric or leather upholstery, steel tube base.

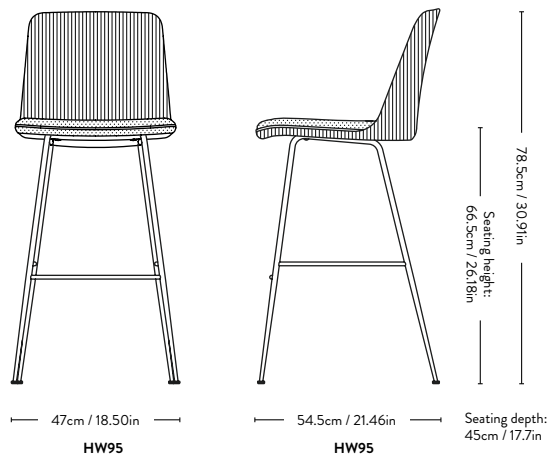
Plastic gliders installed as standard.
Felt gliders available upon request.

Fabric usage: 1.9 meter (Shell: 1.2 meters / Seat: 0.7 meter) based on a 140 cm roll.

Leather usage: 2.5 square meters (Shell: 1.7 sqm / Seat: 0.8 sqm) based on a yield of 60% pr hide.

COM must be approved by &Tradition to ensure suitability for upholstery.

Minimum order quantity of same variant: 4 pcs.



Rely ^{HW96} Hee Welling 2022



Shell Variant	Base	Colli qty.	Lead time	Weight	PRICE EX. STATE TAX
Black	Black, Bronzed	1 pc	2-3 weeks	7.40 kg	565
White	Black, Bronzed	1 pc	2-3 weeks	7.40 kg	565
Beige Sand	Black, Bronzed	1 pc	2-3 weeks	7.40 kg	565
Red Brown	Black, Bronzed	1 pc	2-3 weeks	7.40 kg	565
Light Blue	Black, Bronzed	1 pc	2-3 weeks	7.40 kg	565
Stone Grey	Black, Bronzed	1 pc	2-3 weeks	7.40 kg	565

Product no.	Product	Variant	Lead time	PRICE EX. STATE TAX
145307	Plastic gliders for Drawn, Elefy w. wood base, Rely w. tube (ex. stacking) & wood base, Muno, and Meantime Lounge Chairs, 4 pcs	Black	Stock item	20
145308	Felt gliders for Drawn, Elefy w. wood base, Rely w. tube (ex. stacking) & wood base, Muno, and Meantime Lounge Chairs, 4 pcs	Black	Stock item	20



EU Ecolabel certified, validating high standards of durability, circular design, and responsible use of chemicals. Please contact our sales team for a list of EU Ecolabel compliant combinations.

Material: Shell made from 100% recycled polypropylene with fiber glass and a steel tube base.

Plastic gliders installed as standard. Felt gliders available upon request.



Rely ^{HW97} Hee Welling 2022



Fabric gr.	Shell	Seat Cushion Upholstery	Base	Lead time	Weight	PRICE EX. STATE TAX
Fabric gr. 1	Plastic	Grain, Hot Madison, Remix, Re-Wool	Black, Bronzed	4-6 weeks	8.20 kg	790
Fabric gr. 2	Plastic	Barnum, Canvas, Fiord	Black, Bronzed	4-6 weeks	8.20 kg	855
Fabric gr. 3	Plastic	Hallingdal, Mylla, Steelcut Quartet, Steelcut Trio	Black, Bronzed	4-6 weeks	8.20 kg	880
Fabric gr. 4	Plastic	Acca, Beda, Cifrado, Ecriture, Vidar	Black, Bronzed	4-6 weeks	8.20 kg	945
Fabric gr. 5	Plastic	Gentle, Karakorum, Sisu	Black, Bronzed	4-6 weeks	8.20 kg	1.035
Fabric gr. 6	Plastic	Fuse	Black, Bronzed	4-6 weeks	8.20 kg	1.150
Leather	Plastic	Tailor Semi-aniline leather	Black, Bronzed	4-6 weeks	8.20 kg	880
Leather	Plastic	Noble Aniline leather	Black, Bronzed	4-6 weeks	8.20 kg	945
Leather	Plastic	Elmosoft Semi-aniline leather	Black, Bronzed	4-6 weeks	8.20 kg	1.015
COM	Plastic	Fabric	Black, Bronzed	4-6 weeks	8.20 kg	790

Product no.	Product	Variant	Lead time	PRICE EX. STATE TAX
145307	Plastic gliders for Drawn, Elefy w. wood base, Rely w. tube (ex. stacking) & wood base, Muno, and Meantime Lounge Chairs, 4 pcs	Black	Stock item	20
145308	Felt gliders for Drawn, Elefy w. wood base, Rely w. tube (ex. stacking) & wood base, Muno, and Meantime Lounge Chairs, 4 pcs	Black	Stock item	20



EU Ecolabel certified, validating high standards of durability, circular design, and responsible use of chemicals. Please contact our sales team for a list of EU Ecolabel compliant combinations.

EU Ecolabel : DK/049/019



Made using FSC® certified wood, supporting responsible environmental, social and economical management of the world's forests. Visit www.fsc.org

The mark of responsible forestry

Plastic shell variants

Black, White, Beige Sand, Red Brown, Light Blue, Stone Grey

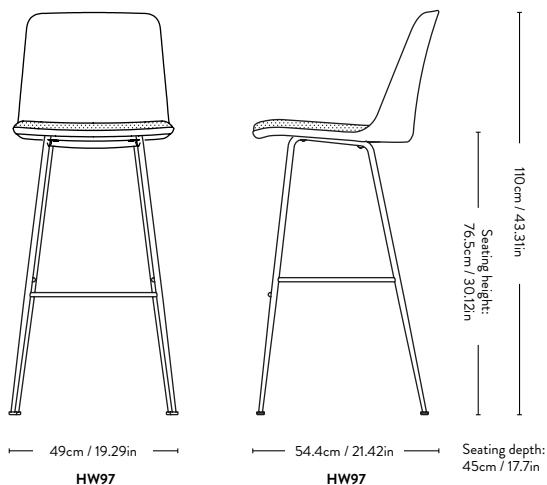
Material: Shell made from 100% recycled polypropylene with fiber glass, HR foam seat covered with fabric or leather upholstery, steel tube base.

Plastic gliders installed as standard.
Felt gliders available upon request.

Fabric usage: 0.8 meter based on a 140 cm roll.

Leather usage: 1 square meter based on a yield of 60% pr hide.

COM must be approved by &Tradition to ensure suitability for upholstery.



Rely ^{HW98} Hee Welling 2022



Fabric gr.	Upholstery	Base	Lead time	Weight	PRICE EX. STATE TAX
Fabric gr. 1	Grain, Hot Madison, Remix, Re-Wool	Black, Bronzed	4-6 weeks	7.90 kg	970
Fabric gr. 2	Barnum, Canvas, Fiord	Black, Bronzed	4-6 weeks	7.90 kg	1.105
Fabric gr. 3	Hallingdal, Mylla, Steelcut Quartet, Steelcut Trio	Black, Bronzed	4-6 weeks	7.90 kg	1.150
Fabric gr. 4	Acca, Beda, Cifrado, Ecriture, Vidar	Black, Bronzed	4-6 weeks	7.90 kg	1.260
Fabric gr. 5	Gentle, Karakorum, Sisu	Black, Bronzed	4-6 weeks	7.90 kg	1.530
Fabric gr. 6	Fuse	Black, Bronzed	4-6 weeks	7.90 kg	1.690
Leather	Tailor Semi-aniline leather	Black, Bronzed	4-6 weeks	7.90 kg	1.330
Leather	Noble Aniline leather	Black, Bronzed	4-6 weeks	7.90 kg	1.395
Leather	Elmosoft Semi-aniline leather	Black, Bronzed	4-6 weeks	7.90 kg	1.510
COM	Fabric	Black, Bronzed	4-6 weeks	7.90 kg	970

Product no.	Product	Variant	Lead time	PRICE EX. STATE TAX
145307	Plastic gliders for Drawn, Elefy w. wood base, Rely w. tube (ex. stacking) & wood base, Muno, and Meantime Lounge Chairs, 4 pcs	Black	Stock item	20
145308	Felt gliders for Drawn, Elefy w. wood base, Rely w. tube (ex. stacking) & wood base, Muno, and Meantime Lounge Chairs, 4 pcs	Black	Stock item	20



EU Ecolabel certified, validating high standards of durability, circular design, and responsible use of chemicals. Please contact our sales team for a list of EU Ecolabel compliant combinations.

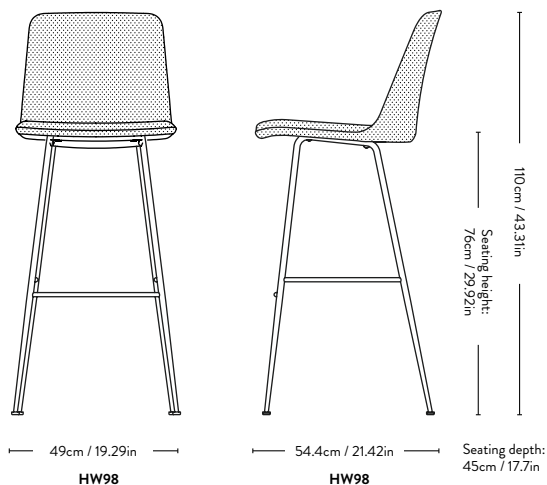
Material: Shell made from 100% recycled polypropylene with fiber glass, covered with HR foam with fabric or leather upholstery, steel tube base.

Plastic gliders installed as standard. Felt gliders available upon request.

Fabric usage: 1.4 meters based on a 140cm roll.

Leather usage: 1.7 square meters based on a yield of 60% pr hide.

COM must be approved by &Tradition to ensure suitability for upholstery.



Rely ^{HW99} Hee Welling 2022



Fabric gr.	Upholstery	Base	Lead time	Weight	PRICE EX. STATE TAX
Fabric gr. 1	Grain, Hot Madison, Remix, Re-Wool	Black, Bronzed	4-6 weeks	9.00 kg	1.015
Fabric gr. 2	Barnum, Canvas, Fiord	Black, Bronzed	4-6 weeks	9.00 kg	1.150
Fabric gr. 3	Hallingdal, Mylla, Steelcut Quartet, Steelcut Trio	Black, Bronzed	4-6 weeks	9.00 kg	1.195
Fabric gr. 4	Acca, Beda, Cifrado, Ecriture, Vidar	Black, Bronzed	4-6 weeks	9.00 kg	1.305
Fabric gr. 5	Gentle, Karakorum, Sisu	Black, Bronzed	4-6 weeks	9.00 kg	1.575
Fabric gr. 6	Fuse	Black, Bronzed	4-6 weeks	9.00 kg	1.735
Leather	Tailor Semi-aniline leather	Black, Bronzed	4-6 weeks	9.00 kg	1.375
Leather	Noble Aniline leather	Black, Bronzed	4-6 weeks	9.00 kg	1.440
Leather	Elmosoft Semi-aniline leather	Black, Bronzed	4-6 weeks	9.00 kg	1.645
COM	Fabric	Black, Bronzed	4-6 weeks	9.00 kg	1.015

Product no.	Product	Variant	Lead time	PRICE EX. STATE TAX
145307	Plastic gliders for Drawn, Elefy w. wood base, Rely w. tube (ex. stacking) & wood base, Muno, and Meantime Lounge Chairs, 4 pcs	Black	Stock item	20
145308	Felt gliders for Drawn, Elefy w. wood base, Rely w. tube (ex. stacking) & wood base, Muno, and Meantime Lounge Chairs, 4 pcs	Black	Stock item	20



EU Ecolabel certified, validating high standards of durability, circular design, and responsible use of chemicals. Please contact our sales team for a list of EU Ecolabel compliant combinations.

EU Ecolabel: DK/049/039



Made using FSC® certified wood, supporting responsible environmental, social and economical management of the world's forests. Visit www.fsc.org

The mark of responsible forestry

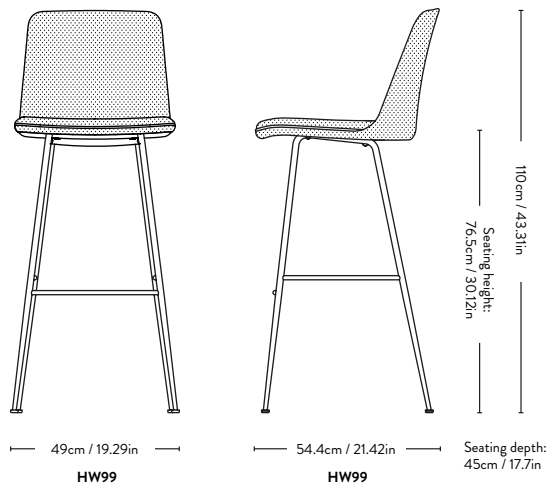
Material: Shell made from 100% recycled polypropylene with fiber glass, covered with HR foam with fabric or leather upholstery, steel tube base.

Plastic gliders installed as standard.
Felt gliders available upon request.

Fabric usage: 1.4 meters based on a 140cm roll.

Leather usage: 1.7 square meters based on a yield of 60% pr hide.

COM must be approved by &Tradition to ensure suitability for upholstery.



Rely^{HW100} Hee Welling 2022



Please note that price is accumulated price of shell & seat.

Fabric gr.	Upholstery	Base	Lead time	Weight	PRICE EX. STATE TAX
Fabric gr. 1	Grain, Hot Madison, Remix, Re-Wool	Black, Bronzed	4-6 weeks	9.00 kg	790
Fabric gr. 2	Barnum, Canvas, Fiord	Black, Bronzed	4-6 weeks	9.00 kg	855
Fabric gr. 3	Hallingdal, Mylla, Steelcut Quartet, Steelcut Trio	Black, Bronzed	4-6 weeks	9.00 kg	880
Fabric gr. 4	Acca, Beda, Cifrado, Ecriture, Vidar	Black, Bronzed	4-6 weeks	9.00 kg	920
Fabric gr. 5	Gentle, Karakorum, Sisu	Black, Bronzed	4-6 weeks	9.00 kg	1.100
Fabric gr. 6	Fuse	Black, Bronzed	4-6 weeks	9.00 kg	1.215
Leather	Tailor Semi-aniline leather	Black, Bronzed	4-6 weeks	9.00 kg	1.015
Leather	Noble Aniline leather	Black, Bronzed	4-6 weeks	9.00 kg	1.055
Leather	Elmosoft Semi-aniline leather	Black, Bronzed	4-6 weeks	9.00 kg	1.170
COM	Fabric	Black, Bronzed	4-6 weeks	9.00 kg	790

Fabric gr.	Seat Upholstery	Lead time	PRICE EX. STATE TAX
Fabric gr. 1	Grain, Hot Madison, Remix, Re-Wool	4-6 weeks	225
Fabric gr. 2	Barnum, Canvas, Fiord	4-6 weeks	295
Fabric gr. 3	Hallingdal, Mylla, Steelcut Quartet, Steelcut Trio	4-6 weeks	315
Fabric gr. 4	Acca, Beda, Cifrado, Ecriture, Vidar	4-6 weeks	385
Fabric gr. 5	Gentle, Karakorum, Sisu	4-6 weeks	475
Fabric gr. 6	Fuse	4-6 weeks	520
Leather	Tailor Semi-aniline leather	4-6 weeks	360
Leather	Noble Aniline leather	4-6 weeks	385
Leather	Elmosoft Semi-aniline leather	4-6 weeks	475
COM	Fabric	4-6 weeks	225

Rely^{HW100} Hee Welling 2022



Product no.	Product	Variant	Lead time	PRICE EX. STATE TAX
145307	Plastic gliders for Drawn, Elefy w. wood base, Rely w. tube (ex. stacking) & wood base, Muno, and Meantime Lounge Chairs, 4 pcs	Black	Stock item	20
145308	Felt gliders for Drawn, Elefy w. wood base, Rely w. tube (ex. stacking) & wood base, Muno, and Meantime Lounge Chairs, 4 pcs	Black	Stock item	20



EU Ecolabel certified, validating high standards of durability, circular design, and responsible use of chemicals. Please contact our sales team for a list of EU Ecolabel compliant combinations.



Made using FSC® certified wood, supporting responsible environmental, social and economical management of the world's forests. Visit www.fsc.org

Material: Shell made from 100% recycled polypropylene with fiber glass, covered with HR foam with fabric or leather upholstery, steel tube base.

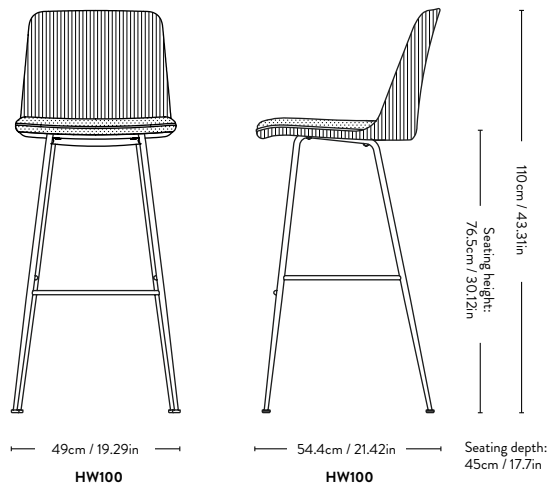
Plastic gliders installed as standard. Felt gliders available upon request.

Fabric usage: 1.9 meter (Shell: 1.2 meters / Seat: 0.7 meter) based on a 140 cm roll.

Leather usage: 2.5 square meters (Shell: 1.7 sqm / Seat: 0.8 sqm) based on a yield of 60% pr hide.

COM must be approved by &Tradition to ensure suitability for upholstery.

Minimum order quantity of same variant: 4 pcs.



NEW

Rely^{HW118} Hee Welling 2026



Shell Variant	Base	Colli qty.	Lead time	Weight	PRICE EX. STATE TAX
Black	Oak	1 pc	2-3 weeks	4.00 kg	630
	Walnut				745
White	Oak	1 pc	2-3 weeks	4.00 kg	630
	Walnut				745
Beige Sand	Oak	1 pc	2-3 weeks	4.00 kg	630
	Walnut				745
Red Brown	Oak	1 pc	2-3 weeks	4.00 kg	630
	Walnut				745
Light Blue	Oak	1 pc	2-3 weeks	4.00 kg	630
	Walnut				745
Stone Grey	Oak	1 pc	2-3 weeks	4.00 kg	630
	Walnut				745

Product no.	Product	Variant	Lead time	PRICE EX. STATE TAX
156119	Footrest protector Rely Bar & Counter Stool HW118-HW127	Brushed Steel	2-3 weeks	70
145307	Plastic gliders for Drawn, Elefy w. wood base, Rely w. tube (ex. stacking) & wood base, Muno, and Meantime Lounge Chairs, 4 pcs	Black	Stock item	20
145308	Felt gliders for Drawn, Elefy w. wood base, Rely w. tube (ex. stacking) & wood base, Muno, and Meantime Lounge Chairs, 4 pcs	Black	Stock item	20

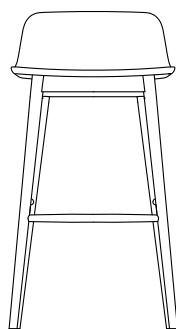


Made using FSC® certified wood, supporting responsible environmental, social and economical management of the world's forests. Visit www.fsc.org

Material: Shell made from 100% recycled polypropylene with fiber glass. Water based lacquered oak or walnut base.

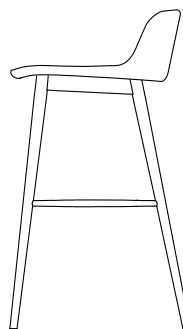
Plastic gliders installed as standard. Felt gliders available upon request.

Seat width:
40cm / 15.7in



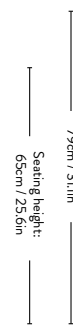
40cm / 15.7in

HW118



44cm / 17.3in

HW118



Seating height:
79cm / 31.1in
65cm / 25.6in

Seating depth:
38cm / 15in

NEW

Rely HW119 Hee Welling 2026



Fabric gr.	Shell	Seat Cushion Upholstery	Base	Lead time	Weight	PRICE EX. STATE TAX
Fabric gr. 1	Plastic	Grain, Hot Madison, Remix, Re-Wool	Oak Walnut	4-6 weeks	4.80 kg	855 970
Fabric gr. 2	Plastic	Barnum, Canvas, Fiord	Oak Walnut	4-6 weeks	4.80 kg	925 1.035
Fabric gr. 3	Plastic	Hallingdal, Mylla, Steelcut Quartet, Steelcut Trio	Oak Walnut	4-6 weeks	4.80 kg	945 1.060
Fabric gr. 4	Plastic	Acca, Beda, Cifrado, Ecriture, Vidar	Oak Walnut	4-6 weeks	4.80 kg	1.015 1.125
Fabric gr. 5	Plastic	Gentle, Karakorum, Sisu	Oak Walnut	4-6 weeks	4.80 kg	1.105 1.215
Fabric gr. 6	Plastic	Fuse	Oak Walnut	4-6 weeks	4.80 kg	1.195 1.305
Leather	Plastic	Tailor Semi-aniline leather	Oak Walnut	4-6 weeks	4.80 kg	945 1.060
Leather	Plastic	Noble Aniline leather	Oak Walnut	4-6 weeks	4.80 kg	1.015 1.125
Leather	Plastic	Elmosoft Semi-aniline leather	Oak Walnut	4-6 weeks	4.80 kg	1.080 1.195
COM	Plastic	Fabric	Oak Walnut	4-6 weeks	4.80 kg	855 970

Product no.	Product	Variant	Lead time	PRICE EX. STATE TAX
156119	Footrest protector Rely Bar & Counter Stool HW118-HW127	Brushed Steel	4-6 weeks	70
145307	Plastic gliders for Drawn, Elefy w. wood base, Rely w. tube (ex. stacking) & wood base, Munro, and Meantime Lounge Chairs, 4 pcs	Black	Stock item	20
145308	Felt gliders for Drawn, Elefy w. wood base, Rely w. tube (ex. stacking) & wood base, Munro, and Meantime Lounge Chairs, 4 pcs	Black	Stock item	20



Made using FSC® certified wood, supporting responsible environmental, social and economical management of the world's forests. Visit www.fsc.org

Plastic shell variants

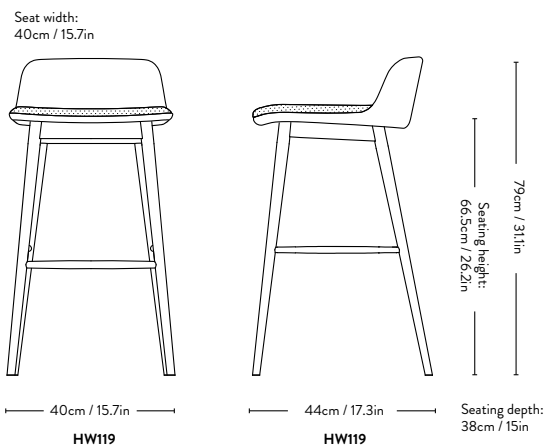
Black, White, Beige Sand, Red Brown, Light Blue, Stone Grey

Material: Shell made from 100% recycled polypropylene with fiber glass, seat covered in HR foam with fabric or leather upholstery. Water based lacquered oak or walnut base.

Plastic gliders installed as standard.
Felt gliders available upon request.

Fabric usage: 0.7 meter based on a 140 cm roll.
Leather usage: 1 square meter based on a yield of 60% pr hide.

COM must be approved by &Tradition to ensure suitability for upholstery.



NEW

Rely HW120 Hee Welling 2026



Fabric gr.	Upholstery	Base	Lead time	Weight	PRICE EX. STATE TAX
Fabric gr. 1	Grain, Hot Madison, Remix, Re-Wool	Oak	4-6 weeks	4.30 kg	1.015
		Walnut			1.125
Fabric gr. 2	Barnum, Canvas, Fiord	Oak	4-6 weeks	4.30 kg	1.150
		Walnut			1.260
Fabric gr. 3	Hallingdal, Mylla, Steelcut Quartet, Steelcut Trio	Oak	4-6 weeks	4.30 kg	1.195
		Walnut			1.305
Fabric gr. 4	Acca, Beda, Cifrado, Ecriture, Vidar	Oak	4-6 weeks	4.30 kg	1.305
		Walnut			1.420
Fabric gr. 5	Gentle, Karakorum, Sisu	Oak	4-6 weeks	4.30 kg	1.575
		Walnut			1.690
Fabric gr. 6	Fuse	Oak	4-6 weeks	4.30 kg	1.710
		Walnut			1.825
Leather	Tailor Semi-aniline leather	Oak	4-6 weeks	4.30 kg	1.375
		Walnut			1.485
Leather	Noble Aniline leather	Oak	4-6 weeks	4.30 kg	1.440
		Walnut			1.555
Leather	Elmosoft Semi-aniline leather	Oak	4-6 weeks	4.30 kg	1.555
		Walnut			1.665
COM	Fabric	Oak	4-6 weeks	4.30 kg	1.015
		Walnut			1.690

Product no.	Product	Variant	Lead time	PRICE EX. STATE TAX
156119	Footrest protector Rely Bar & Counter Stool HW118-HW127	Brushed Steel	4-6 weeks	70
145307	Plastic gliders for Drawn, Elefy w. wood base, Rely w. tube (ex. stacking) & wood base, Muno, and Meantime Lounge Chairs, 4 pcs	Black	Stock item	20
145308	Felt gliders for Drawn, Elefy w. wood base, Rely w. tube (ex. stacking) & wood base, Muno, and Meantime Lounge Chairs, 4 pcs	Black	Stock item	20



Made using FSC® certified wood, supporting responsible environmental, social and economical management of the world's forests. Visit www.fsc.org

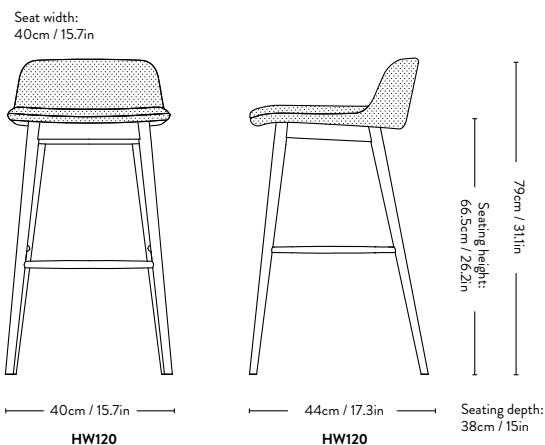
Material: Shell made from 100% recycled polypropylene with fiber glass, covered with HR foam with fabric or leather upholstery. Water based lacquered oak or walnut base.

Plastic gliders installed as standard.
Felt gliders available upon request.

Fabric usage: 0.9 meters based on 140cm roll.

Leather usage: 1.7 square meters based on a yield of 60% pr hide.

COM must be approved by &Tradition to ensure suitability for upholstery.



NEW

Rely HW121 Hee Welling 2026



Fabric gr.	Upholstery	Base	Lead time	Weight	PRICE EX. STATE TAX
Fabric gr. 1	Grain, Hot Madison, Remix, Re-Wool	Oak	4-6 weeks	5.0 kg	1.060
		Walnut			1.170
Fabric gr. 2	Barnum, Canvas, Fiord	Oak	4-6 weeks	5.0 kg	1.195
		Walnut			1.305
Fabric gr. 3	Hallingdal, Mylla, Steelcut Quartet, Steelcut Trio	Oak	4-6 weeks	5.0 kg	1.240
		Walnut			1.350
Fabric gr. 4	Acca, Beda, Cifrado, Ecriture, Vidar	Oak	4-6 weeks	5.0 kg	1.350
		Walnut			1.465
Fabric gr. 5	Gentle, Karakorum, Sisu	Oak	4-6 weeks	5.0 kg	1.620
		Walnut			1.735
Fabric gr. 6	Fuse	Oak	4-6 weeks	5.0 kg	1.780
		Walnut			1.890
Leather	Tailor Semi-aniline leather	Oak	4-6 weeks	5.0 kg	1.420
		Walnut			1.530
Leather	Noble Aniline leather	Oak	4-6 weeks	5.0 kg	1.485
		Walnut			1.600
Leather	Elmosoft Semi-aniline leather	Oak	4-6 weeks	5.0 kg	1.620
		Walnut			1.735
COM	Fabric	Oak	4-6 weeks	5.0 kg	1.060
		Walnut			1.170

Product no.	Product	Variant	Lead time	PRICE EX. STATE TAX
156119	Footrest protector Rely Bar & Counter Stool HW118-HW127	Brushed Steel	4-6 weeks	70
145307	Plastic gliders for Drawn, Elefy w. wood base, Rely w. tube (ex. stacking) & wood base, Muno, and Meantime Lounge Chairs, 4 pcs	Black	Stock item	20
145308	Felt gliders for Drawn, Elefy w. wood base, Rely w. tube (ex. stacking) & wood base, Muno, and Meantime Lounge Chairs, 4 pcs	Black	Stock item	20



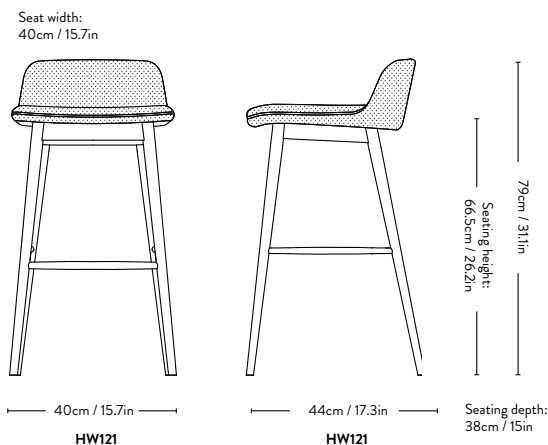
Made using FSC® certified wood, supporting responsible environmental, social and economical management of the world's forests. Visit www.fsc.org

Material: Shell made from 100% recycled polypropylene with fiber glass, covered with HR foam with fabric or leather upholstery. Water based lacquered oak or walnut base.

Plastic gliders installed as standard.
Felt gliders available upon request.

Fabric usage: 0.9 meters based on a 140cm roll.
Leather usage: 1.7 square meters based on a yield of 60% pr hide.

COM must be approved by &Tradition to ensure suitability for upholstery.



NEW

Rely^{HW122} Hee Welling 2026



Please note that price is accumulated price of shell & seat.

Fabric gr.	Upholstery	Base	Lead time	Weight	PRICE EX. STATE TAX
Fabric gr. 1	Grain, Hot Madison, Remix, Re-Wool	Oak	4-6 weeks	5.00 kg	1.060
		Walnut			1.170
Fabric gr. 2	Barnum, Canvas, Fiord	Oak	4-6 weeks	5.00 kg	1.195
		Walnut			1.305
Fabric gr. 3	Hallingdal, Mylla, Steelcut Quartet, Steelcut Trio	Oak	4-6 weeks	5.00 kg	1.240
		Walnut			1.350
Fabric gr. 4	Acca, Beda, Cifrado, Ecriture, Vidar	Oak	4-6 weeks	5.00 kg	1.350
		Walnut			1.465
Fabric gr. 5	Gentle, Karakorum, Sisu	Oak	4-6 weeks	5.00 kg	1.620
		Walnut			1.735
Fabric gr. 6	Fuse	Oak	4-6 weeks	5.00 kg	1.755
		Walnut			1.870
Leather	Tailor Semi-aniline leather	Oak	4-6 weeks	5.00 kg	1.420
		Walnut			1.530
Leather	Noble Aniline leather	Oak	4-6 weeks	5.00 kg	1.485
		Walnut			1.600
Leather	Elmosoft Semi-aniline leather	Oak	4-6 weeks	5.00 kg	1.600
		Walnut			1.710
COM	Fabric	Oak	4-6 weeks	5.00 kg	1.060
		Walnut			1.170

Fabric gr.	Seat Upholstery	Lead time	PRICE EX. STATE TAX
Fabric gr. 1	Grain, Hot Madison, Remix, Re-Wool	4-6 weeks	225
Fabric gr. 2	Barnum, Canvas, Fiord	4-6 weeks	295
Fabric gr. 3	Hallingdal, Mylla, Steelcut Quartet, Steelcut Trio	4-6 weeks	315
Fabric gr. 4	Acca, Beda, Cifrado, Ecriture, Vidar	4-6 weeks	385
Fabric gr. 5	Gentle, Karakorum, Sisu	4-6 weeks	475
Fabric gr. 6	Fuse	4-6 weeks	520
Leather	Tailor Semi-aniline leather	4-6 weeks	360
Leather	Noble Aniline leather	4-6 weeks	385
Leather	Elmosoft Semi-aniline leather	4-6 weeks	475
COM	Fabric	4-6 weeks	225

** Please be aware that the placement of the pattern may vary from piece to piece due to optimal usage of fabric when cutting. Patterns may not align at seams or edges

NEW

Rely^{HW122} Hee Welling 2026



Product no.	Product	Variant	Lead time	PRICE EX. STATE TAX
156119	Footrest protector Rely Bar & Counter Stool HW118-HW127	Brushed Steel	4-6 weeks	70
145307	Plastic gliders for Drawn, Elefy w. wood base, Rely w. tube (ex. stacking) & wood base, Muno, and Meantime Lounge Chairs, 4 pcs	Black	Stock item	20
145308	Felt gliders for Drawn, Elefy w. wood base, Rely w. tube (ex. stacking) & wood base, Muno, and Meantime Lounge Chairs, 4 pcs	Black	Stock item	20



Made using FSC® certified wood, supporting responsible environmental, social and economical management of the world's forests. Visit www.fsc.org

Material: Shell made from 100% recycled polypropylene with fiber glass, covered with HR foam with fabric or leather upholstery. Water based lacquered oak or walnut base.

Plastic gliders installed as standard.
Felt gliders available upon request.

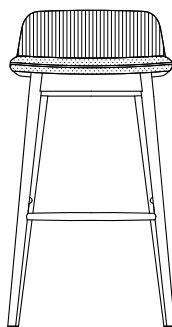
Fabric usage: 1.5 meter (Shell: 0.8 meters / Seat: 0.7 meter) based on a 140cm roll.

Leather usage: 2.3 square meters (Shell: 1.7 square meters, 0.6 square meters (cushion) based on a yield of 60% pr hide).

COM must be approved by &Tradition to ensure suitability for upholstery.

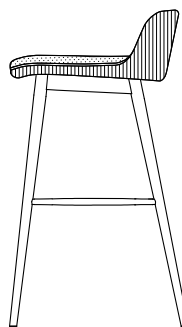
Minimum order quantity of same variant: 4 pcs.

Seat width:
40cm / 15.7in



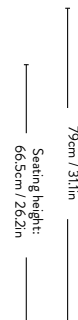
40cm / 15.7in

HW122



44cm / 17.3in

HW122



Seating height:
66.5cm / 26.2in

79cm / 31.1in

Seating depth:
38cm / 15in

NEW

Rely^{HW123} Hee Welling 2026



Shell Variant	Base	Colli qty.	Lead time	Weight	PRICE EX. STATE TAX
Black	Oak Walnut	1 pc	2-3 weeks	4.20 kg	630 745
White	Oak Walnut	1 pc	2-3 weeks	4.20 kg	630 745
Beige Sand	Oak Walnut	1 pc	2-3 weeks	4.20 kg	630 745
Red Brown	Oak Walnut	1 pc	2-3 weeks	4.20 kg	630 745
Light Blue	Oak Walnut	1 pc	2-3 weeks	4.20 kg	630 745
Stone Grey	Oak Walnut	1 pc	2-3 weeks	4.20 kg	630 745

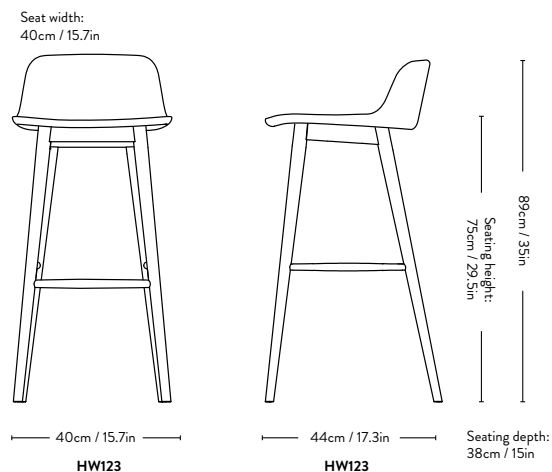
Product no.	Product	Variant	Lead time	PRICE EX. STATE TAX
156119	Footrest protector Rely Bar & Counter Stool HW118-HW127	Brushed Steel	2-3 weeks	70
145307	Plastic gliders for Drawn, Elefy w. wood base, Rely w. tube (ex. stacking) & wood base, Muno, and Meantime Lounge Chairs, 4 pcs	Black	Stock item	20
145308	Felt gliders for Drawn, Elefy w. wood base, Rely w. tube (ex. stacking) & wood base, Muno, and Meantime Lounge Chairs, 4 pcs	Black	Stock item	20



Made using FSC® certified wood, supporting responsible environmental, social and economical management of the world's forests. Visit www.fsc.org

Material: Shell made from 100% recycled polypropylene with fiber glass. Water based lacquered oak or walnut base.

Plastic gliders installed as standard. Felt gliders available upon request.



NEW

Rely HW124 Hee Welling 2026

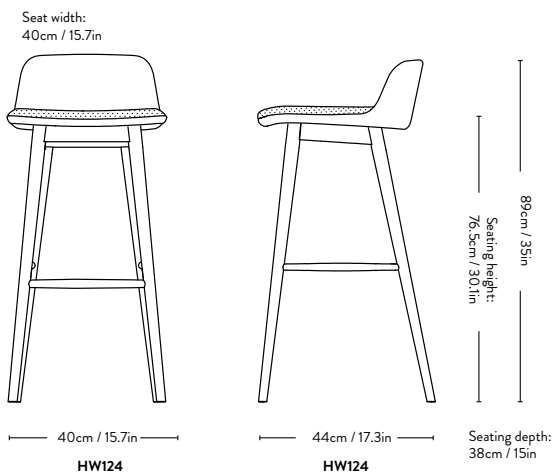


Fabric gr.	Shell	Seat Cushion Upholstery	Base	Lead time	Weight	PRICE EX. STATE TAX
Fabric gr. 1	Plastic	Grain, Hot Madison, Remix, Re-Wool	Oak Walnut	4-6 weeks	5.00 kg	855 970
Fabric gr. 2	Plastic	Barnum, Canvas, Fiord	Oak Walnut	4-6 weeks	5.00 kg	925 1.035
Fabric gr. 3	Plastic	Hallingdal, Mylla, Steelcut Quartet, Steelcut Trio	Oak Walnut	4-6 weeks	5.00 kg	945 1.060
Fabric gr. 4	Plastic	Acca, Beda, Cifrado, Ecriture, Vidar	Oak Walnut	4-6 weeks	5.00 kg	1.015 1.125
Fabric gr. 5	Plastic	Gentle, Karakorum, Sisu	Oak Walnut	4-6 weeks	5.00 kg	1.105 1.215
Fabric gr. 6	Plastic	Fuse	Oak Walnut	4-6 weeks	5.00 kg	1.195 1.305
Leather	Plastic	Tailor Semi-aniline leather	Oak Walnut	4-6 weeks	5.00 kg	945 1.060
Leather	Plastic	Noble Aniline leather	Oak Walnut	4-6 weeks	5.00 kg	1.015 1.125
Leather	Plastic	Elmosoft Semi-aniline leather	Oak Walnut	4-6 weeks	5.00 kg	1.080 1.195
COM	Plastic	Fabric	Oak Walnut	4-6 weeks	5.00 kg	855 970

Product no.	Product	Variant	Lead time	PRICE EX. STATE TAX
156119	Footrest protector Rely Bar & Counter Stool HW118-HW127	Brushed Steel	4-6 weeks	70
145307	Plastic gliders for Drawn, Elefy w. wood base, Rely w. tube (ex. stacking) & wood base, Munro, and Meantime Lounge Chairs, 4 pcs	Black	Stock item	20
145308	Felt gliders for Drawn, Elefy w. wood base, Rely w. tube (ex. stacking) & wood base, Munro, and Meantime Lounge Chairs, 4 pcs	Black	Stock item	20



Made using FSC® certified wood, supporting responsible environmental, social and economical management of the world's forests. Visit www.fsc.org



Plastic shell variants

Black, White, Beige Sand, Red Brown, Light Blue, Stone Grey

Material: Shell made from 100% recycled polypropylene with fiber glass, HR foam seat covered with fabric or leather upholstery, steel tube base.

Plastic gliders installed as standard.
Felt gliders available upon request.

Fabric usage: 0.7 meter based on a 140 cm roll.
Leather usage: 1 square meter based on a yield of 60% pr hide.

COM must be approved by &Tradition to ensure suitability for upholstery.

NEW

Rely HW125 Hee Welling 2026



Fabric gr.	Upholstery	Base	Lead time	Weight	PRICE EX. STATE TAX
Fabric gr. 1	Grain, Hot Madison, Remix, Re-Wool	Oak	4-6 weeks	4.50 kg	1.015
		Walnut			1.125
Fabric gr. 2	Barnum, Canvas, Fiord	Oak	4-6 weeks	4.50 kg	1.150
		Walnut			1.260
Fabric gr. 3	Hallingdal, Mylla, Steelcut Quartet, Steelcut Trio	Oak	4-6 weeks	4.50 kg	1.195
		Walnut			1.305
Fabric gr. 4	Acca, Beda, Cifrado, Ecriture, Vidar	Oak	4-6 weeks	4.50 kg	1.305
		Walnut			1.420
Fabric gr. 5	Gentle, Karakorum, Sisu	Oak	4-6 weeks	4.50 kg	1.575
		Walnut			1.690
Fabric gr. 6	Fuse	Oak	4-6 weeks	4.50 kg	1.710
		Walnut			1.825
Leather	Tailor Semi-aniline leather	Oak	4-6 weeks	4.50 kg	1.375
		Walnut			1.485
Leather	Noble Aniline leather	Oak	4-6 weeks	4.50 kg	1.440
		Walnut			1.555
Leather	Elmosoft Semi-aniline leather	Oak	4-6 weeks	4.50 kg	1.555
		Walnut			1.665
COM	Fabric	Oak	4-6 weeks	4.50 kg	1.015
		Walnut			1.125

Product no.	Product	Variant	Lead time	PRICE EX. STATE TAX
156119	Footrest protector Rely Bar & Counter Stool HW118-HW127	Brushed Steel	4-6 weeks	70
145307	Plastic gliders for Drawn, Elefy w. wood base, Rely w. tube (ex. stacking) & wood base, Muno, and Meantime Lounge Chairs, 4 pcs	Black	Stock item	20
145308	Felt gliders for Drawn, Elefy w. wood base, Rely w. tube (ex. stacking) & wood base, Muno, and Meantime Lounge Chairs, 4 pcs	Black	Stock item	20



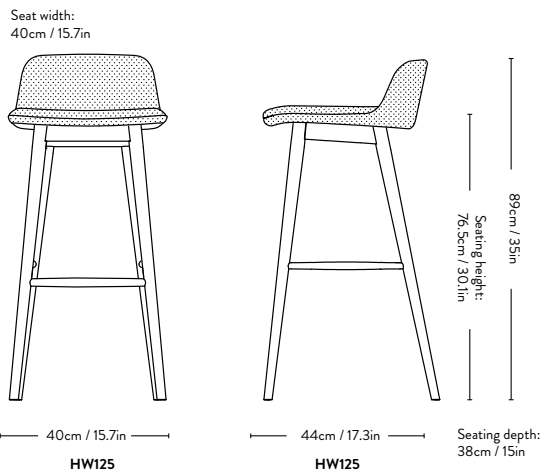
Made using FSC® certified wood, supporting responsible environmental, social and economical management of the world's forests. Visit www.fsc.org

Material: Shell made from 100% recycled polypropylene with fiber glass, covered with HR foam with fabric or leather upholstery. Water based lacquered oak or walnut base.

Plastic gliders installed as standard.
Felt gliders available upon request.

Fabric usage: 0.9 meters based on a 140cm roll.
Leather usage: 1.7 square meters based on a yield of 60% pr hide.

COM must be approved by &Tradition to ensure suitability for upholstery.



NEW

Rely HW126 Hee Welling 2026



Fabric gr.	Upholstery	Base	Lead time	Weight	PRICE EX. STATE TAX
Fabric gr. 1	Grain, Hot Madison, Remix, Re-Wool	Oak	4-6 weeks	5.20 kg	1.060
		Walnut			1.170
Fabric gr. 2	Barnum, Canvas, Fiord	Oak	4-6 weeks	5.20 kg	1.195
		Walnut			1.305
Fabric gr. 3	Hallingdal, Mylla, Steelcut Quartet, Steelcut Trio	Oak	4-6 weeks	5.20 kg	1.240
		Walnut			1.350
Fabric gr. 4	Acca, Beda, Cifrado, Ecriture, Vidar	Oak	4-6 weeks	5.20 kg	1.350
		Walnut			1.465
Fabric gr. 5	Gentle, Karakorum, Sisu	Oak	4-6 weeks	5.20 kg	1.620
		Walnut			1.735
Fabric gr. 6	Fuse	Oak	4-6 weeks	5.20 kg	1.780
		Walnut			1.890
Leather	Tailor Semi-aniline leather	Oak	4-6 weeks	5.20 kg	1.420
		Walnut			1.530
Leather	Noble Aniline leather	Oak	4-6 weeks	5.20 kg	1.485
		Walnut			1.600
Leather	Elmosoft Semi-aniline leather	Oak	4-6 weeks	5.20 kg	1.620
		Walnut			1.735
COM	Fabric	Oak	4-6 weeks	5.20 kg	1.060
		Walnut			1.170

Product no.	Product	Variant	Lead time	PRICE EX. STATE TAX
156119	Footrest protector Rely Bar & Counter Stool HW118-HW127	Brushed Steel	4-6 weeks	70
145307	Plastic gliders for Drawn, Elefy w. wood base, Rely w. tube (ex. stacking) & wood base, Munro, and Meantime Lounge Chairs, 4 pcs	Black	Stock item	20
145308	Felt gliders for Drawn, Elefy w. wood base, Rely w. tube (ex. stacking) & wood base, Munro, and Meantime Lounge Chairs, 4 pcs	Black	Stock item	20



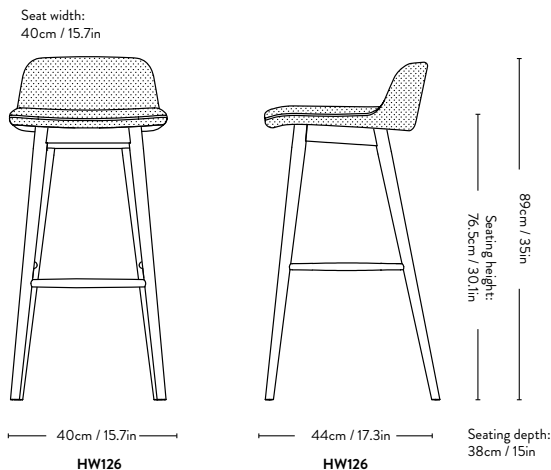
Made using FSC® certified wood, supporting responsible environmental, social and economical management of the world's forests. Visit www.fsc.org

Material: Shell made from 100% recycled polypropylene with fiber glass, covered with HR foam with fabric or leather upholstery. Water based lacquered oak or walnut base.

Plastic gliders installed as standard.
Felt gliders available upon request.

Fabric usage: 0.9 meters based on a 140cm roll.
Leather usage: 1.7 square meters based on a yield of 60% pr hide.

COM must be approved by &Tradition to ensure suitability for upholstery.



NEW

Rely^{HW127} Hee Welling 2026



Please note that price is accumulated price of shell & seat.

Fabric gr.	Upholstery	Base	Lead time	Weight	PRICE EX. STATE TAX
Fabric gr. 1	Grain, Hot Madison, Remix, Re-Wool	Oak	4-6 weeks	5.20 kg	1.060
		Walnut			1.170
Fabric gr. 2	Barnum, Canvas, Fiord	Oak	4-6 weeks	5.20 kg	1.195
		Walnut			1.305
Fabric gr. 3	Hallingdal, Mylla, Steelcut Quartet, Steelcut Trio	Oak	4-6 weeks	5.20 kg	1.240
		Walnut			1.350
Fabric gr. 4	Acca, Beda, Cifrado, Ecriture, Vidar	Oak	4-6 weeks	5.20 kg	1.350
		Walnut			1.465
Fabric gr. 5	Gentle, Karakorum, Sisu	Oak	4-6 weeks	5.20 kg	1.620
		Walnut			1.735
Fabric gr. 6	Fuse	Oak	4-6 weeks	5.20 kg	1.755
		Walnut			1.870
Leather	Tailor Semi-aniline leather	Oak	4-6 weeks	5.20 kg	1.420
		Walnut			1.530
Leather	Noble Aniline leather	Oak	4-6 weeks	5.20 kg	1.485
		Walnut			1.600
Leather	Elmosoft Semi-aniline leather	Oak	4-6 weeks	5.20 kg	1.600
		Walnut			1.710
COM	Fabric	Oak	4-6 weeks	5.20 kg	1.060
		Walnut			1.170

Fabric gr.	Seat Upholstery	Lead time	PRICE EX. STATE TAX
Fabric gr. 1	Grain, Hot Madison, Remix, Re-Wool	4-6 weeks	225
Fabric gr. 2	Barnum, Canvas, Fiord	4-6 weeks	295
Fabric gr. 3	Hallingdal, Mylla, Steelcut Quartet, Steelcut Trio	4-6 weeks	315
Fabric gr. 4	Acca, Beda, Cifrado, Ecriture, Vidar	4-6 weeks	385
Fabric gr. 5	Gentle, Karakorum, Sisu	4-6 weeks	475
Fabric gr. 6	Fuse	4-6 weeks	520
Leather	Tailor Semi-aniline leather	4-6 weeks	360
Leather	Noble Aniline leather	4-6 weeks	385
Leather	Elmosoft Semi-aniline leather	4-6 weeks	475
COM	Fabric	4-6 weeks	225

NEW

Rely^{HW127} Hee Welling 2026



Product no.	Product	Variant	Lead time	PRICE EX. STATE TAX
156119	Footrest protector Rely Bar & Counter Stool HW118-HW127	Brushed Steel	4-6 weeks	70
145307	Plastic gliders for Drawn, Elefy w. wood base, Rely w. tube (ex. stacking) & wood base, Muno, and Meantime Lounge Chairs, 4 pcs	Black	Stock item	20
145308	Felt gliders for Drawn, Elefy w. wood base, Rely w. tube (ex. stacking) & wood base, Muno, and Meantime Lounge Chairs, 4 pcs	Black	Stock item	20



Made using FSC® certified wood, supporting responsible environmental, social and economical management of the world's forests. Visit www.fsc.org

Material: Shell made from 100% recycled polypropylene with fiber glass, covered with HR foam with fabric or leather upholstery. Water based lacquered oak or walnut base.

Plastic gliders installed as standard.
Felt gliders available upon request.

Fabric usage: 1.5 meter (Shell: 0.8 meters / Seat: 0.7 meter) based on a 140 cm roll.

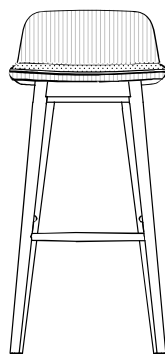
Leather usage: 2.3 square meters (Shell: 1.7 sqm / Seat: 0.6 sqm) based on a yield of 60% pr hide.

COM must be approved by &Tradition to ensure suitability for upholstery.

Minimum order quantity of same variant: 4 pcs.

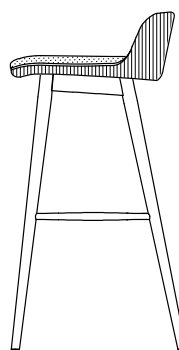
** Please be aware that the placement of the pattern may vary from piece to piece due to optimal usage of fabric when cutting. Patterns may not align at seams or edges

Seat width:
40cm / 15.7in



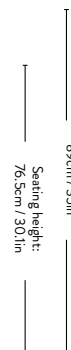
40cm / 15.7in

HW127



44cm / 17.3in

HW127



Seating height:
76.5cm / 30.1in

89cm / 35in

NEW

Rely^{HW128} Hee Welling 2026



Shell Variant	Base	Colli qty.	Lead time	Weight	PRICE EX. STATE TAX
Black	Oak Walnut	1 pc	2-3 weeks	6.20 kg	700 810
White	Oak Walnut	1 pc	2-3 weeks	6.20 kg	700 810
Beige Sand	Oak Walnut	1 pc	2-3 weeks	6.20 kg	700 810
Red Brown	Oak Walnut	1 pc	2-3 weeks	6.20 kg	700 810
Light Blue	Oak Walnut	1 pc	2-3 weeks	6.20 kg	700 810
Stone Grey	Oak Walnut	1 pc	2-3 weeks	6.20 kg	700 810

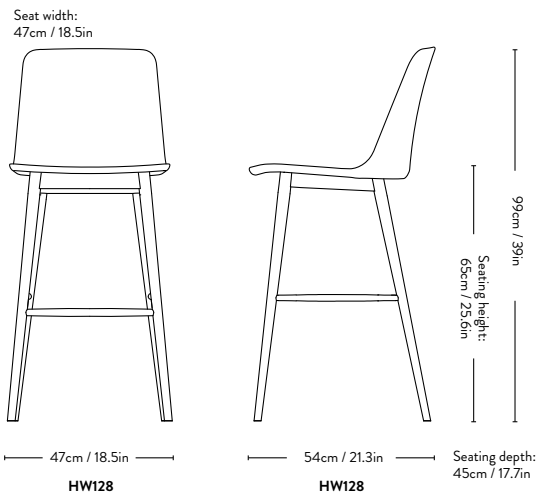
Product no.	Product	Variant	Lead time	PRICE EX. STATE TAX
156121	Footrest protector Rely Bar & Counter Chair HW128-HW137	Brushed Steel	2-3 weeks	70
145307	Plastic gliders for Drawn, Elefy w. wood base, Rely w. tube (ex. stacking) & wood base, Muno, and Meantime Lounge Chairs, 4 pcs	Black	Stock item	20
145308	Felt gliders for Drawn, Elefy w. wood base, Rely w. tube (ex. stacking) & wood base, Muno, and Meantime Lounge Chairs, 4 pcs	Black	Stock item	20



Made using FSC® certified wood, supporting responsible environmental, social and economical management of the world's forests. Visit www.fsc.org

Material: Shell made from 100% recycled polypropylene with fiber glass. Water based lacquered oak or walnut base.

Plastic gliders installed as standard. Felt gliders available upon request.



NEW

Rely HW129 Hee Welling 2026



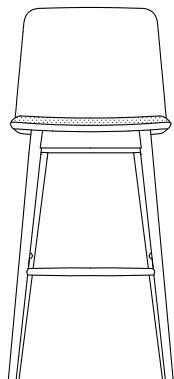
Fabric gr.	Shell	Seat Cushion Upholstery	Base	Lead time	Weight	PRICE EX. STATE TAX
Fabric gr. 1	Plastic	Grain, Hot Madison, Remix, Re-Wool	Oak Walnut	4-6 weeks	7.00 kg	925 1.035
Fabric gr. 2	Plastic	Barnum, Canvas, Fiord	Oak Walnut	4-6 weeks	7.00 kg	990 1.105
Fabric gr. 3	Plastic	Hallingdal, Mylla, Steelcut Quartet, Steelcut Trio	Oak Walnut	4-6 weeks	7.00 kg	1.015 1.125
Fabric gr. 4	Plastic	Acca, Beda, Cifrado, Ecriture, Vidar	Oak Walnut	4-6 weeks	7.00 kg	1.080 1.195
Fabric gr. 5	Plastic	Gentle, Karakorum, Sisu	Oak Walnut	4-6 weeks	7.00 kg	1.170 1.285
Fabric gr. 6	Plastic	Fuse	Oak Walnut	4-6 weeks	7.00 kg	1.285 1.395
Leather	Plastic	Tailor Semi-aniline leather	Oak Walnut	4-6 weeks	7.00 kg	1.015 1.125
Leather	Plastic	Noble Aniline leather	Oak Walnut	4-6 weeks	7.00 kg	1.080 1.195
Leather	Plastic	Elmosoft Semi-aniline leather	Oak Walnut	4-6 weeks	7.00 kg	1.150 1.260
COM	Plastic	Fabric	Oak Walnut	4-6 weeks	7.00 kg	925 1.035

Product no.	Product	Variant	Lead time	PRICE EX. STATE TAX
156121	Footrest protector Rely Bar & Counter Chair HW128-HW137	Brushed Steel	4-6 weeks	70
145307	Plastic gliders for Drawn, Elefy w. wood base, Rely w. tube (ex. stacking) & wood base, Munro, and Meantime Lounge Chairs, 4 pcs	Black	Stock item	20
145308	Felt gliders for Drawn, Elefy w. wood base, Rely w. tube (ex. stacking) & wood base, Munro, and Meantime Lounge Chairs, 4 pcs	Black	Stock item	20

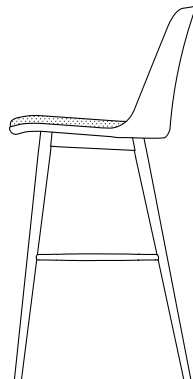


Made using FSC® certified wood, supporting responsible environmental, social and economical management of the world's forests. Visit www.fsc.org

Seat width:
47cm / 18.5in



47cm / 18.5in
HW129



54cm / 21.3in
HW129

99cm / 39in
Seating height:
66.5cm / 26.2in
Seating depth:
45cm / 17.7in

Plastic shell variants

Black, White, Beige Sand, Red Brown, Light Blue, Stone Grey

Material: Shell made from 100% recycled polypropylene with fiber glass, seat covered in HR foam with fabric or leather upholstery. Water based lacquered oak or walnut base.

Plastic gliders installed as standard.
Felt gliders available upon request.

Fabric usage: 0.8 meter based on a 140 cm roll.

Leather usage: 1 square meter based on a yield of 60% pr hide.

COM must be approved by &Tradition to ensure suitability for upholstery.

NEW

Rely HW130 Hee Welling 2026



Fabric gr.	Upholstery	Base	Lead time	Weight	PRICE EX. STATE TAX
Fabric gr. 1	Grain, Hot Madison, Remix, Re-Wool	Oak	4-6 weeks	6.70 kg	1.105
		Walnut			1.215
Fabric gr. 2	Barnum, Canvas, Fiord	Oak	4-6 weeks	6.70 kg	1.240
		Walnut			1.350
Fabric gr. 3	Hallingdal, Mylla, Steelcut Quartet, Steelcut Trio	Oak	4-6 weeks	6.70 kg	1.285
		Walnut			1.395
Fabric gr. 4	Acca, Beda, Cifrado, Ecriture, Vidar	Oak	4-6 weeks	6.70 kg	1.395
		Walnut			1.510
Fabric gr. 5	Gentle, Karakorum, Sisu	Oak	4-6 weeks	6.70 kg	1.665
		Walnut			1.780
Fabric gr. 6	Fuse	Oak	4-6 weeks	6.70 kg	1.825
		Walnut			1.935
Leather	Tailor Semi-aniline leather	Oak	4-6 weeks	6.70 kg	1.465
		Walnut			1.575
Leather	Noble Aniline leather	Oak	4-6 weeks	6.70 kg	1.530
		Walnut			1.645
Leather	Elmosoft Semi-aniline leather	Oak	4-6 weeks	6.70 kg	1.645
		Walnut			1.755
COM	Fabric	Oak	4-6 weeks	6.70 kg	1.105
		Walnut			1.215

Product no.	Product	Variant	Lead time	PRICE EX. STATE TAX
156121	Footrest protector Rely Bar & Counter Chair HW128-HW137	Brushed Steel	4-6 weeks	70
145307	Plastic gliders for Drawn, Elefy w. wood base, Rely w. tube (ex. stacking) & wood base, Muno, and Meantime Lounge Chairs, 4 pcs	Black	Stock item	20
145308	Felt gliders for Drawn, Elefy w. wood base, Rely w. tube (ex. stacking) & wood base, Muno, and Meantime Lounge Chairs, 4 pcs	Black	Stock item	20



Made using FSC® certified wood, supporting responsible environmental, social and economical management of the world's forests. Visit www.fsc.org

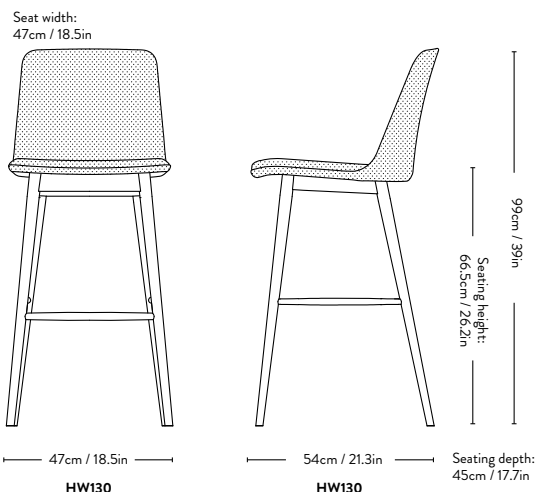
Material: Shell made from 100% recycled polypropylene with fiber glass, covered with HR foam with fabric or leather upholstery. Water based lacquered oak or walnut base.

Plastic gliders installed as standard.
Felt gliders available upon request.

Fabric usage: 1.4 meters based on a 140cm roll.

Leather usage: 1.7 square meters based on a yield of 60% pr hide.

COM must be approved by &Tradition to ensure suitability for upholstery.



NEW

Rely HW131 Hee Welling 2026



Fabric gr.	Upholstery	Base	Lead time	Weight	PRICE EX. STATE TAX
Fabric gr. 1	Grain, Hot Madison, Remix, Re-Wool	Oak	4-6 weeks	7.80 kg	1.150
		Walnut			1.260
Fabric gr. 2	Barnum, Canvas, Fiord	Oak	4-6 weeks	7.80 kg	1.285
		Walnut			1.395
Fabric gr. 3	Hallingdal, Mylla, Steelcut Quartet, Steelcut Trio	Oak	4-6 weeks	7.80 kg	1.305
		Walnut			1.420
Fabric gr. 4	Acca, Beda, Cifrado, Ecriture, Vidar	Oak	4-6 weeks	7.80 kg	1.440
		Walnut			1.555
Fabric gr. 5	Gentle, Karakorum, Sisu	Oak	4-6 weeks	7.80 kg	1.710
		Walnut			1.825
Fabric gr. 6	Fuse	Oak	4-6 weeks	7.80 kg	1.870
		Walnut			1.980
Leather	Tailor Semi-aniline leather	Oak	4-6 weeks	7.80 kg	1.510
		Walnut			1.620
Leather	Noble Aniline leather	Oak	4-6 weeks	7.80 kg	1.575
		Walnut			1.690
Leather	Elmosoft Semi-aniline leather	Oak	4-6 weeks	7.80 kg	1.780
		Walnut			1.890
COM	Fabric	Oak	4-6 weeks	7.80 kg	1.150
		Walnut			1.260

Product no.	Product	Variant	Lead time	PRICE EX. STATE TAX
156121	Footrest protector Rely Bar & Counter Chair HW128-HW137	Brushed Steel	4-6 weeks	70
145307	Plastic gliders for Drawn, Elefy w. wood base, Rely w. tube (ex. stacking) & wood base, Muno, and Meantime Lounge Chairs, 4 pcs	Black	Stock item	20
145308	Felt gliders for Drawn, Elefy w. wood base, Rely w. tube (ex. stacking) & wood base, Muno, and Meantime Lounge Chairs, 4 pcs	Black	Stock item	20



Made using FSC® certified wood, supporting responsible environmental, social and economical management of the world's forests. Visit www.fsc.org

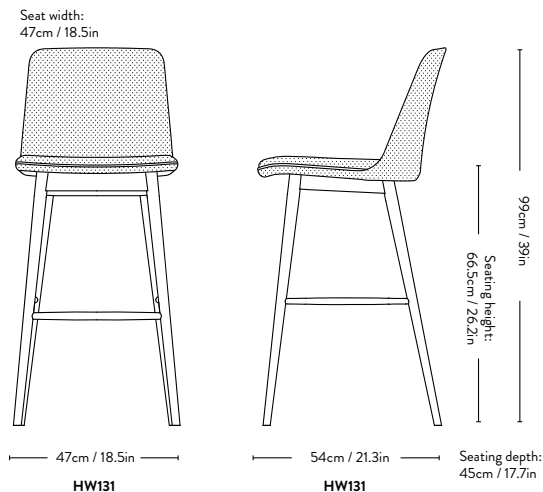
Material: Shell made from 100% recycled polypropylene with fiber glass, covered with HR foam with fabric or leather upholstery. Water based lacquered oak or walnut base.

Plastic gliders installed as standard.
Felt gliders available upon request.

Fabric usage: 1.4 meters based on a 140cm roll.

Leather usage: 1.7 square meters based on a yield of 60% pr hide.

COM must be approved by &Tradition to ensure suitability for upholstery.



NEW

Rely^{HW132} Hee Welling 2026



Please note that price is accumulated price of shell & seat.

Fabric gr.	Upholstery	Base	Lead time	Weight	PRICE EX. STATE TAX
Fabric gr. 1	Grain, Hot Madison, Remix, Re-Wool	Oak	4-6 weeks	7.80 kg	1.150
		Walnut			1.260
Fabric gr. 2	Barnum, Canvas, Fiord	Oak	4-6 weeks	7.80 kg	1.285
		Walnut			1.395
Fabric gr. 3	Hallingdal, Mylla, Steelcut Quartet, Steelcut Trio	Oak	4-6 weeks	7.80 kg	1.330
		Walnut			1.440
Fabric gr. 4	Acca, Beda, Cifrado, Ecriture, Vidar	Oak	4-6 weeks	7.80 kg	1.440
		Walnut			1.555
Fabric gr. 5	Gentle, Karakorum, Sisu	Oak	4-6 weeks	7.80 kg	1.710
		Walnut			1.825
Fabric gr. 6	Fuse	Oak	4-6 weeks	7.80 kg	1.870
		Walnut			1.980
Leather	Tailor Semi-aniline leather	Oak	4-6 weeks	7.80 kg	1.510
		Walnut			1.620
Leather	Noble Aniline leather	Oak	4-6 weeks	7.80 kg	1.575
		Walnut			1.690
Leather	Elmosoft Semi-aniline leather	Oak	4-6 weeks	7.80 kg	1.690
		Walnut			1.800
COM	Fabric	Oak	4-6 weeks	7.80 kg	1.150
		Walnut			1.260

Fabric gr.	Seat Upholstery	Lead time	PRICE EX. STATE TAX
Fabric gr. 1	Grain, Hot Madison, Remix, Re-Wool	4-6 weeks	225
Fabric gr. 2	Barnum, Canvas, Fiord	4-6 weeks	295
Fabric gr. 3	Hallingdal, Mylla, Steelcut Quartet, Steelcut Trio	4-6 weeks	315
Fabric gr. 4	Acca, Beda, Cifrado, Ecriture, Vidar	4-6 weeks	385
Fabric gr. 5	Gentle, Karakorum, Sisu	4-6 weeks	475
Fabric gr. 6	Fuse	4-6 weeks	520
Leather	Tailor Semi-aniline leather	4-6 weeks	360
Leather	Noble Aniline leather	4-6 weeks	385
Leather	Elmosoft Semi-aniline leather	4-6 weeks	475
COM	Fabric	4-6 weeks	225

** Please be aware that the placement of the pattern may vary from piece to piece due to optimal usage of fabric when cutting. Patterns may not align at seams or edges

NEW

Rely^{HW132} Hee Welling 2026



Product no.	Product	Variant	Lead time	PRICE EX. STATE TAX
156121	Footrest protector Rely Bar & Counter Chair HW128-HW137	Brushed Steel	4-6 weeks	70
145307	Plastic gliders for Drawn, Elefy w. wood base, Rely w. tube (ex. stacking) & wood base, Muno, and Meantime Lounge Chairs, 4 pcs	Black	Stock item	20
145308	Felt gliders for Drawn, Elefy w. wood base, Rely w. tube (ex. stacking) & wood base, Muno, and Meantime Lounge Chairs, 4 pcs	Black	Stock item	20



Made using FSC® certified wood, supporting responsible environmental, social and economical management of the world's forests. Visit www.fsc.org

Material: Shell made from 100% recycled polypropylene with fiber glass, covered with HR foam with fabric or leather upholstery. Water based lacquered oak or walnut base.

Plastic gliders installed as standard.
Felt gliders available upon request.

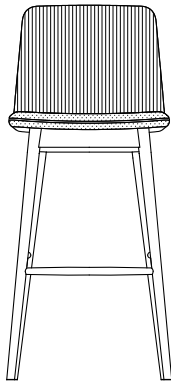
Fabric usage: 1.9 meter (Shell: 1.2 meters / Seat: 0.7 meter) based on a 140cm roll.

Leather usage: 2.5 square meters (Shell: 1.7 square meters, 0.8 square meters (cushion) based on a yield of 60% pr hide).

COM must be approved by &Tradition to ensure suitability for upholstery.

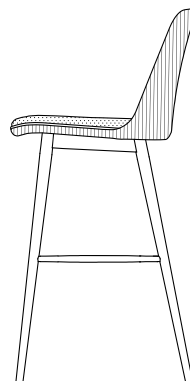
Minimum order quantity of same variant: 4 pcs.

Seat width:
47cm / 18.5in



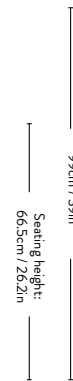
47cm / 18.5in

HW132



54cm / 21.3in

HW132



Seating height:
65.5cm / 26.2in

Seating depth:
45cm / 17.7in

NEW

Rely HW133 Hee Welling 2026



Shell Variant	Base	Colli qty.	Lead time	Weight	PRICE EX. STATE TAX
Black	Oak Walnut	1 pc	2-3 weeks	6.40 kg	700 810
White	Oak Walnut	1 pc	2-3 weeks	6.40 kg	700 810
Beige Sand	Oak Walnut	1 pc	2-3 weeks	6.40 kg	700 810
Red Brown	Oak Walnut	1 pc	2-3 weeks	6.40 kg	700 810
Light Blue	Oak Walnut	1 pc	2-3 weeks	6.40 kg	700 810
Stone Grey	Oak Walnut	1 pc	2-3 weeks	6.40 kg	700 810

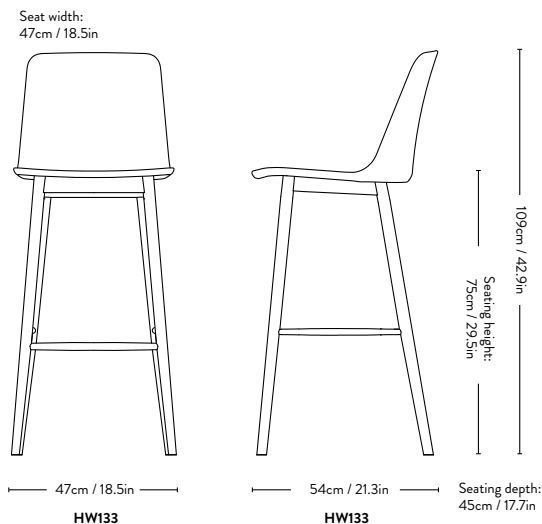
Product no.	Product	Variant	Lead time	PRICE EX. STATE TAX
156121	Footrest protector Rely Bar & Counter Chair HW128-HW137	Brushed Steel	2-3 weeks	70
145307	Plastic gliders for Drawn, Elefy w. wood base, Rely w. tube (ex. stacking) & wood base, Muno, and Meantime Lounge Chairs, 4 pcs	Black	Stock item	20
145308	Felt gliders for Drawn, Elefy w. wood base, Rely w. tube (ex. stacking) & wood base, Muno, and Meantime Lounge Chairs, 4 pcs	Black	Stock item	20



Made using FSC® certified wood, supporting responsible environmental, social and economical management of the world's forests. Visit www.fsc.org

Material: Shell made from 100% recycled polypropylene with fiber glass. Water based lacquered oak or walnut base.

Plastic gliders installed as standard. Felt gliders available upon request.



NEW

Rely HW134 Hee Welling 2026



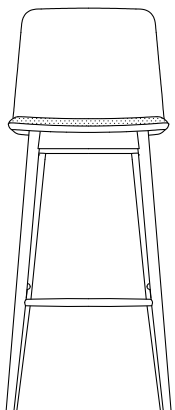
Fabric gr.	Shell	Seat Cushion Upholstery	Base	Lead time	Weight	PRICE EX. STATE TAX
Fabric gr. 1	Plastic	Grain, Hot Madison, Remix, Re-Wool	Oak Walnut	4-6 weeks	7.20 kg	925 1.035
Fabric gr. 2	Plastic	Barnum, Canvas, Fiord	Oak Walnut	4-6 weeks	7.20 kg	990 1.105
Fabric gr. 3	Plastic	Hallingdal, Mylla, Steelcut Quartet, Steelcut Trio	Oak Walnut	4-6 weeks	7.20 kg	1.015 1.125
Fabric gr. 4	Plastic	Acca, Beda, Cifrado, Ecriture, Vidar	Oak Walnut	4-6 weeks	7.20 kg	1.080 1.195
Fabric gr. 5	Plastic	Gentle, Karakorum, Sisu	Oak Walnut	4-6 weeks	7.20 kg	1.170 1.285
Fabric gr. 6	Plastic	Fuse	Oak Walnut	4-6 weeks	7.20 kg	1.285 1.395
Leather	Plastic	Tailor Semi-aniline leather	Oak Walnut	4-6 weeks	7.20 kg	1.015 1.125
Leather	Plastic	Noble Aniline leather	Oak Walnut	4-6 weeks	7.20 kg	1.080 1.195
Leather	Plastic	Elmosoft Semi-aniline leather	Oak Walnut	4-6 weeks	7.20 kg	1.150 1.260
COM	Plastic	Fabric	Oak Walnut	4-6 weeks	7.20 kg	925 1.035

Product no.	Product	Variant	Lead time	PRICE EX. STATE TAX
156121	Footrest protector Rely Bar & Counter Chair HW128-HW137	Brushed Steel	4-6 weeks	70
145307	Plastic gliders for Drawn, Elefy w. wood base, Rely w. tube (ex. stacking) & wood base, Munro, and Meantime Lounge Chairs, 4 pcs	Black	Stock item	20
145308	Felt gliders for Drawn, Elefy w. wood base, Rely w. tube (ex. stacking) & wood base, Munro, and Meantime Lounge Chairs, 4 pcs	Black	Stock item	20



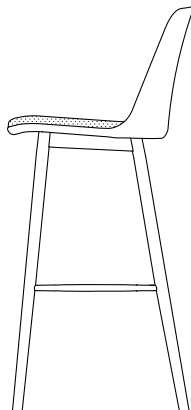
Made using FSC® certified wood, supporting responsible environmental, social and economical management of the world's forests. Visit www.fsc.org

Seat width:
47cm / 18.5in



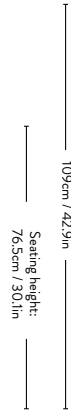
47cm / 18.5in

HW134



54cm / 21.3in

HW134



Seating height:
109cm / 42.9in
Seating depth:
45cm / 17.7in

Plastic shell variants

Black, White, Beige Sand, Red Brown, Light Blue, Stone Grey

Material: Shell made from 100% recycled polypropylene with fiber glass, HR foam seat covered with fabric or leather upholstery, steel tube base.

Plastic gliders installed as standard.
Felt gliders available upon request.

Fabric usage: 0.8 meter based on a 140 cm roll.

Leather usage: 1 square meter based on a yield of 60% pr hide.

COM must be approved by &Tradition to ensure suitability for upholstery.

NEW

Rely HW135 Hee Welling 2026



Fabric gr.	Upholstery	Base	Lead time	Weight	PRICE EX. STATE TAX
Fabric gr. 1	Grain, Hot Madison, Remix, Re-Wool	Oak	4-6 weeks	6.90 kg	1.105
		Walnut			1.215
Fabric gr. 2	Barnum, Canvas, Fiord	Oak	4-6 weeks	6.90 kg	1.240
		Walnut			1.350
Fabric gr. 3	Hallingdal, Mylla, Steelcut Quartet, Steelcut Trio	Oak	4-6 weeks	6.90 kg	1.285
		Walnut			1.395
Fabric gr. 4	Acca, Beda, Cifrado, Ecriture, Vidar	Oak	4-6 weeks	6.90 kg	1.395
		Walnut			1.510
Fabric gr. 5	Gentle, Karakorum, Sisu	Oak	4-6 weeks	6.90 kg	1.665
		Walnut			1.780
Fabric gr. 6	Fuse	Oak	4-6 weeks	6.90 kg	1.825
		Walnut			1.935
Leather	Tailor Semi-aniline leather	Oak	4-6 weeks	6.90 kg	1.465
		Walnut			1.575
Leather	Noble Aniline leather	Oak	4-6 weeks	6.90 kg	1.530
		Walnut			1.645
Leather	Elmosoft Semi-aniline leather	Oak	4-6 weeks	6.90 kg	1.645
		Walnut			1.755
COM	Fabric	Oak Walnut	4-6 weeks	6.90 kg	

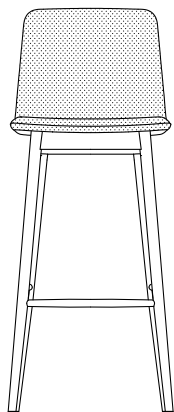
Product no.	Product	Variant	Lead time	PRICE EX. STATE TAX
156121	Footrest protector Rely Bar & Counter Chair HW128-HW137	Brushed Steel	4-6 weeks	70
145307	Plastic gliders for Drawn, Elefy w. wood base, Rely w. tube (ex. stacking) & wood base, Muno, and Meantime Lounge Chairs, 4 pcs	Black	Stock item	20
145308	Felt gliders for Drawn, Elefy w. wood base, Rely w. tube (ex. stacking) & wood base, Muno, and Meantime Lounge Chairs, 4 pcs	Black	Stock item	20



Made using FSC® certified wood, supporting responsible environmental, social and economical management of the world's forests. Visit www.fsc.org

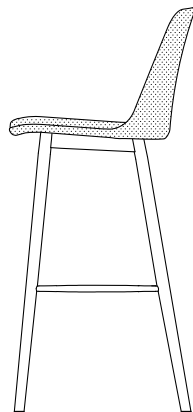
The mark of responsible forestry

Seat width:
47cm / 18.5in



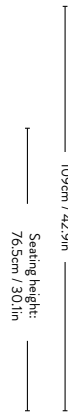
47cm / 18.5in

HW135



54cm / 21.3in

HW135



Seating depth:
45cm / 17.7in

Seating height:
76.5cm / 30.1in

109cm / 42.9in

Material: Shell made from 100% recycled polypropylene with fiber glass, covered with HR foam with fabric or leather upholstery. Water based lacquered oak or walnut base.

Plastic gliders installed as standard.
Felt gliders available upon request.

Fabric usage: 1.4 meters based on a 140cm roll.

Leather usage: 1.7 square meters based on a yield of 60% pr hide.

COM must be approved by &Tradition to ensure suitability for upholstery.

NEW

Rely HW136 Hee Welling 2026



Fabric gr.	Upholstery	Base	Lead time	Weight	PRICE EX. STATE TAX
Fabric gr. 1	Grain, Hot Madison, Remix, Re-Wool	Oak	4-6 weeks	8.00 kg	1.150
		Walnut			1.260
Fabric gr. 2	Barnum, Canvas, Fiord	Oak	4-6 weeks	8.00 kg	1.285
		Walnut			1.395
Fabric gr. 3	Hallingdal, Mylla, Steelcut Quartet, Steelcut Trio	Oak	4-6 weeks	8.00 kg	1.330
		Walnut			1.440
Fabric gr. 4	Acca, Beda, Cifrado, Ecriture, Vidar	Oak	4-6 weeks	8.00 kg	1.440
		Walnut			1.555
Fabric gr. 5	Gentle, Karakorum, Sisu	Oak	4-6 weeks	8.00 kg	1.710
		Walnut			1.825
Fabric gr. 6	Fuse	Oak	4-6 weeks	8.00 kg	1.870
		Walnut			1.980
Leather	Tailor Semi-aniline leather	Oak	4-6 weeks	8.00 kg	1.510
		Walnut			1.620
Leather	Noble Aniline leather	Oak	4-6 weeks	8.00 kg	1.575
		Walnut			1.690
Leather	Elmosoft Semi-aniline leather	Oak	4-6 weeks	8.00 kg	1.780
		Walnut			1.890
COM	Fabric	Oak	4-6 weeks	8.00 kg	1.150
		Walnut			1.260

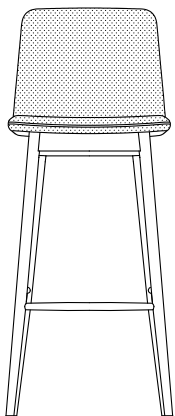
Product no.	Product	Variant	Lead time	PRICE EX. STATE TAX
156121	Footrest protector Rely Bar & Counter Chair HW128-HW137	Brushed Steel	4-6 weeks	70
145307	Plastic gliders for Drawn, Elefy w. wood base, Rely w. tube (ex. stacking) & wood base, Muno, and Meantime Lounge Chairs, 4 pcs	Black	Stock item	20
145308	Felt gliders for Drawn, Elefy w. wood base, Rely w. tube (ex. stacking) & wood base, Muno, and Meantime Lounge Chairs, 4 pcs	Black	Stock item	20



Made using FSC® certified wood, supporting responsible environmental, social and economical management of the world's forests. Visit www.fsc.org

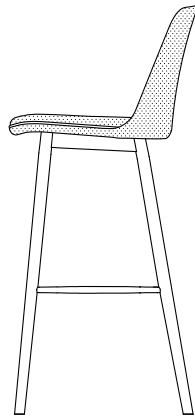
The mark of responsible forestry

Seat width:
47cm / 18.5in



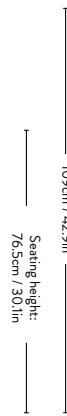
47cm / 18.5in

HW136



54cm / 21.3in

HW136



Seating height:
76.5cm / 30.1in

Seating depth:
45cm / 17.7in

Material: Shell made from 100% recycled polypropylene with fiber glass, covered with HR foam with fabric or leather upholstery. Water based lacquered oak or walnut base.

Plastic gliders installed as standard.
Felt gliders available upon request.

Fabric usage: 1.4 meters based on a 140cm roll.

Leather usage: 1.7 square meters based on a yield of 60% pr hide.

COM must be approved by &Tradition to ensure suitability for upholstery.

NEW

Rely^{HW137} Hee Welling 2026



Please note that price is accumulated price of shell & seat.

Fabric gr.	Upholstery	Base	Lead time	Weight	PRICE EX. STATE TAX
Fabric gr. 1	Grain, Hot Madison, Remix, Re-Wool	Oak	4-6 weeks	8.00 kg	1.150
		Walnut			1.260
Fabric gr. 2	Barnum, Canvas, Fiord	Oak	4-6 weeks	8.00 kg	1.285
		Walnut			1.395
Fabric gr. 3	Hallingdal, Mylla, Steelcut Quartet, Steelcut Trio	Oak	4-6 weeks	8.00 kg	1.330
		Walnut			1.440
Fabric gr. 4	Acca, Beda, Cifrado, Ecriture, Vidar	Oak	4-6 weeks	8.00 kg	1.440
		Walnut			1.555
Fabric gr. 5	Gentle, Karakorum, Sisu	Oak	4-6 weeks	8.00 kg	1.710
		Walnut			1.825
Fabric gr. 6	Fuse	Oak	4-6 weeks	8.00 kg	1.870
		Walnut			1.980
Leather	Tailor Semi-aniline leather	Oak	4-6 weeks	8.00 kg	1.510
		Walnut			1.620
Leather	Noble Aniline leather	Oak	4-6 weeks	8.00 kg	1.575
		Walnut			1.690
Leather	Elmosoft Semi-aniline leather	Oak	4-6 weeks	8.00 kg	1.690
		Walnut			1.800
COM	Fabric	Oak	4-6 weeks	8.00 kg	1.150
		Walnut			1.260

Fabric gr.	Seat Upholstery	Lead time	PRICE EX. STATE TAX
Fabric gr. 1	Grain, Hot Madison, Remix, Re-Wool	4-6 weeks	225
Fabric gr. 2	Barnum, Canvas, Fiord	4-6 weeks	295
Fabric gr. 3	Hallingdal, Mylla, Steelcut Quartet, Steelcut Trio	4-6 weeks	315
Fabric gr. 4	Acca, Beda, Cifrado, Ecriture, Vidar	4-6 weeks	385
Fabric gr. 5	Gentle, Karakorum, Sisu	4-6 weeks	475
Fabric gr. 6	Fuse	4-6 weeks	520
Leather	Tailor Semi-aniline leather	4-6 weeks	360
Leather	Noble Aniline leather	4-6 weeks	385
Leather	Elmosoft Semi-aniline leather	4-6 weeks	475
COM	Fabric	4-6 weeks	225

NEW

Rely HW137 Hee Welling 2026



Product no.	Product	Variant	Lead time	PRICE EX. STATE TAX
156121	Footrest protector Rely Bar & Counter Chair HW128-HW137	Brushed Steel	4-6 weeks	70
145307	Plastic gliders for Drawn, Elefy w. wood base, Rely w. tube (ex. stacking) & wood base, Muno, and Meantime Lounge Chairs, 4 pcs	Black	Stock item	20
145308	Felt gliders for Drawn, Elefy w. wood base, Rely w. tube (ex. stacking) & wood base, Muno, and Meantime Lounge Chairs, 4 pcs	Black	Stock item	20



Made using FSC® certified wood, supporting responsible environmental, social and economical management of the world's forests. Visit www.fsc.org

Material: Shell made from 100% recycled polypropylene with fiber glass, covered with HR foam with fabric or leather upholstery. Water based lacquered oak or walnut base.

Plastic gliders installed as standard.
Felt gliders available upon request.

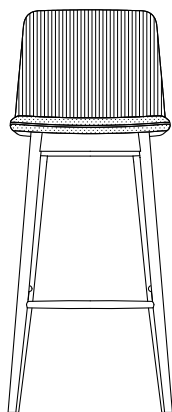
Fabric usage: 1.9 meter (Shell: 1.2 meters / Seat: 0.7 meter) based on a 140 cm roll.

Leather usage: 2.5 square meters (Shell: 1.7 square meters, 0.8 square meters (cushion) based on a yield of 60% pr hide).

COM must be approved by &Tradition to ensure suitability for upholstery.

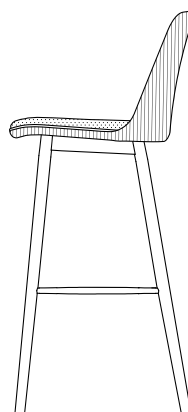
Minimum order quantity of same variant: 4 pcs.

Seat width:
47cm / 18.5in



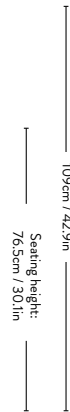
47cm / 18.5in

HW137



54cm / 21.3in

HW137



Seating height:
76.5cm / 30.1in

109cm / 42.9in

Seating depth:
45cm / 17.7in

Rely ^{HW101} Hee Welling 2022



Shell Variant	Base	Colli qty.	Lead time	Weight	PRICE EX. STATE TAX
Black	Black	1 pc	2-3 weeks	6.40 kg	520
White	Black	1 pc	2-3 weeks	6.40 kg	520
Beige Sand	Black	1 pc	2-3 weeks	6.40 kg	520
Red Brown	Black	1 pc	2-3 weeks	6.40 kg	520
Light Blue	Black	1 pc	2-3 weeks	6.40 kg	520
Stone Grey	Black	1 pc	2-3 weeks	6.40 kg	520

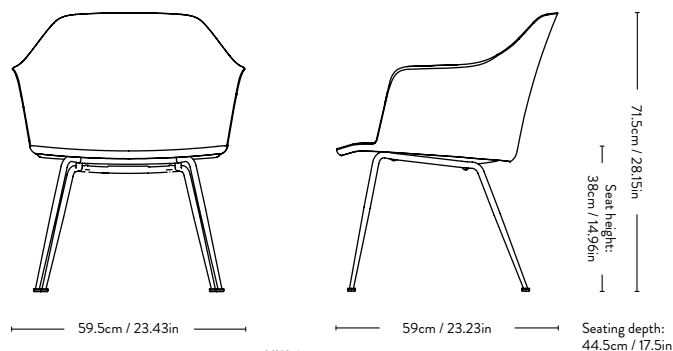
Product no.	Product	Variant	Lead time	PRICE EX. STATE TAX
145307	Plastic gliders for Drawn, Elefy w. wood base, Rely w. tube (ex. stacking) & wood base, Muno, and Meantime Lounge Chairs, 4 pcs	Black	Stock item	20
145308	Felt gliders for Drawn, Elefy w. wood base, Rely w. tube (ex. stacking) & wood base, Muno, and Meantime Lounge Chairs, 4 pcs	Black	Stock item	20



EU Ecolabel certified, validating high standards of durability, circular design, and responsible use of chemicals. Please contact our sales team for a list of EU Ecolabel compliant combinations.

Material: Shell is made from 100% recycled polypropylene with fiber glass.

Plastic gliders installed as standard. Felt gliders available upon request.



Rely ^{HW102} Hee Welling 2022



Fabric gr.	Shell	Seat Cushion Upholstery	Base	Lead time	Weight	PRICE EX. STATE TAX
Fabric gr. 1	Plastic	Grain, Hot Madison, Remix, Re-Wool	Black	4-6 weeks	7.60 kg	745
Fabric gr. 2	Plastic	Barnum, Canvas, Fiord	Black	4-6 weeks	7.60 kg	835
Fabric gr. 3	Plastic	Hallingdal, Mylla, Steelcut Quartet, Steelcut Trio	Black	4-6 weeks	7.60 kg	880
Fabric gr. 4	Plastic	Acca, Cifrado, Ecriture, Vidar	Black	4-6 weeks	7.60 kg	925
Fabric gr. 5	Plastic	Gentle, Karakorum, Sisu	Black	4-6 weeks	7.60 kg	1.015
Fabric gr. 6	Plastic	Fuse	Black	4-6 weeks	7.60 kg	1.105
Leather	Plastic	Tailor Semi-aniline leather	Black	4-6 weeks	7.60 kg	855
Leather	Plastic	Noble Aniline leather	Black	4-6 weeks	7.60 kg	925
Leather	Plastic	Elmosoft Semi-aniline leather	Black	4-6 weeks	7.60 kg	990
COM	Plastic	Fabric	Black	4-6 weeks	7.60 kg	745

Product no.	Product	Variant	Lead time	PRICE EX. STATE TAX
145307	Plastic gliders for Drawn, Elefy w. wood base, Rely w. tube (ex. stacking) & wood base, Muno, and Meantime Lounge Chairs, 4 pcs	Black	Stock item	20
145308	Felt gliders for Drawn, Elefy w. wood base, Rely w. tube (ex. stacking) & wood base, Muno, and Meantime Lounge Chairs, 4 pcs	Black	Stock item	20



EU Ecolabel certified, validating high standards of durability, circular design, and responsible use of chemicals. Please contact our sales team for a list of EU Ecolabel compliant combinations.

Plastic shell variants

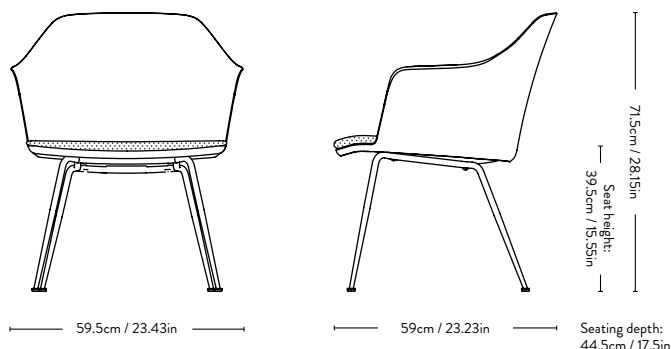
Black, White, Beige Sand, Red Brown, Light Blue, Stone Grey

Material: Shell made from 100% recycled polypropylene with fiber glass, covered with HR foam with fabric or leather upholstery, steel tube base.

Plastic gliders installed as standard.
Felt gliders available upon request.

Fabric usage: 0.8 meter based on a 140 cm roll.
Leather usage: 1 square meter based on a yield of 60% pr hide.

COM must be approved by &Tradition to ensure suitability for upholstery.



HW102

Rely^{HW103} Hee Welling 2022



Fabric gr.	Upholstery	Base	Lead time	Weight	PRICE EX. STATE TAX
Fabric gr. 1	Grain, Hot Madison, Remix, Re-Wool	Black	4-6 weeks	7.10 kg	970
Fabric gr. 2	Barnum, Canvas, Fiord	Black	4-6 weeks	7.10 kg	1.105
Fabric gr. 3	Hallingdal, Mylla, Steelcut Quartet, Steelcut Trio	Black	4-6 weeks	7.10 kg	1.150
Fabric gr. 4	Acca, Cifrado, Ecriture, Vidar	Black	4-6 weeks	7.10 kg	1.285
Fabric gr. 5	Gentle, Karakorum, Sisu	Black	4-6 weeks	7.10 kg	1.710
Fabric gr. 6	Fuse	Black	4-6 weeks	7.10 kg	1.890
Leather	Tailor Semi-aniline leather	Black	4-6 weeks	7.10 kg	1.350
Leather	Noble Aniline leather	Black	4-6 weeks	7.10 kg	1.620
Leather	Elmosoft Semi-aniline leather	Black	4-6 weeks	7.10 kg	1.780
COM	Fabric	Black	4-6 weeks	7.10 kg	970

Product no.	Product	Variant	Lead time	PRICE EX. STATE TAX
145307	Plastic gliders for Drawn, Elefy w. wood base, Rely w. tube (ex. stacking) & wood base, Muno, and Meantime Lounge Chairs, 4 pcs	Black	Stock item	20
145308	Felt gliders for Drawn, Elefy w. wood base, Rely w. tube (ex. stacking) & wood base, Muno, and Meantime Lounge Chairs, 4 pcs	Black	Stock item	20



EU Ecolabel certified, validating high standards of durability, circular design, and responsible use of chemicals. Please contact our sales team for a list of EU Ecolabel compliant combinations.

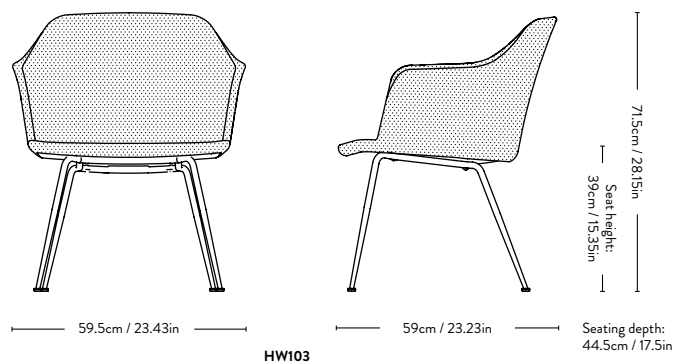
Material: Shell made from 100% recycled polypropylene with fiber glass, covered with HR foam with fabric or leather upholstery, steel tube base.

Plastic gliders installed as standard. Felt gliders available upon request.

Fabric usage: 1.5 meters based on 140cm roll.

Leather usage: 2.8 square meters based on a yield of 60% pr hide.

COM must be approved by &Tradition to ensure suitability for upholstery.



Rely ^{HW104} Hee Welling 2022



Fabric gr.	Upholstery	Base	Lead time	Weight	PRICE EX. STATE TAX
Fabric gr. 1	Grain, Hot Madison, Remix, Re-Wool	Black	4-6 weeks	7.40 kg	1.035
Fabric gr. 2	Barnum, Canvas, Fiord	Black	4-6 weeks	7.40 kg	1.170
Fabric gr. 3	Hallingdal, Mylla, Steelcut Quartet, Steelcut Trio	Black	4-6 weeks	7.40 kg	1.215
Fabric gr. 4	Acca, Cifrado, Ecriture, Vidar	Black	4-6 weeks	7.40 kg	1.350
Fabric gr. 5	Gentle, Karakorum, Sisu	Black	4-6 weeks	7.40 kg	1.780
Fabric gr. 6	Fuse	Black	4-6 weeks	7.40 kg	1.960
Leather	Tailor Semi-aniline leather	Black	4-6 weeks	7.40 kg	1.420
Leather	Noble Aniline leather	Black	4-6 weeks	7.40 kg	1.690
Leather	Elmosoft Semi-aniline leather	Black	4-6 weeks	7.40 kg	1.890
COM	Fabric	Black	4-6 weeks	7.40 kg	1.035

Product no.	Product	Variant	Lead time	PRICE EX. STATE TAX
145307	Plastic gliders for Drawn, Elefy w. wood base, Rely w. tube (ex. stacking) & wood base, Muno, and Meantime Lounge Chairs, 4 pcs	Black	Stock item	20
145308	Felt gliders for Drawn, Elefy w. wood base, Rely w. tube (ex. stacking) & wood base, Muno, and Meantime Lounge Chairs, 4 pcs	Black	Stock item	20



EU Ecolabel certified, validating high standards of durability, circular design, and responsible use of chemicals. Please contact our sales team for a list of EU Ecolabel compliant combinations.



Made using FSC® certified wood, supporting responsible environmental, social and economical management of the world's forests. Visit www.fsc.org

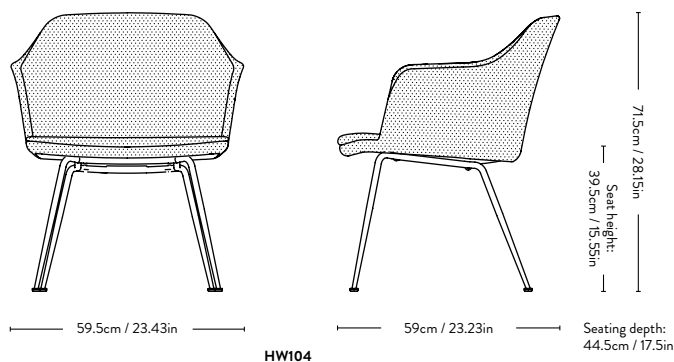
Material: Shell made from 100% recycled polypropylene with fiber glass, covered with HR foam with fabric or leather upholstery, steel tube base.

Plastic gliders installed as standard. Felt gliders available upon request.

Fabric usage: 1.5 meters based on 140cm roll.

Leather usage: 2.8 square meters based on a yield of 60% pr hide.

COM must be approved by &Tradition to ensure suitability for upholstery.



HW104

Rely^{HW105} Hee Welling 2022



Please note that price is accumulated price of shell & seat.

Fabric gr.	Upholstery	Base	Lead time	Weight	PRICE EX. STATE TAX
Fabric gr. 1	Grain, Hot Madison, Remix, Re-Wool	Black	4-6 weeks	7.40 kg	810
Fabric gr. 2	Barnum, Canvas, Fiord	Black	4-6 weeks	7.40 kg	875
Fabric gr. 3	Hallingdal, Mylla, Steelcut Quartet, Steelcut Trio	Black	4-6 weeks	7.40 kg	900
Fabric gr. 4	Acca, Cifrado, Ecriture, Vidar	Black	4-6 weeks	7.40 kg	965
Fabric gr. 5	Gentle, Karakorum, Sisu	Black	4-6 weeks	7.40 kg	1.305
Fabric gr. 6	Fuse	Black	4-6 weeks	7.40 kg	1.440
Leather	Tailor Semi-aniline leather	Black	4-6 weeks	7.40 kg	1.060
Leather	Noble Aniline leather	Black	4-6 weeks	7.40 kg	1.305
Leather	Elmosoft Semi-aniline leather	Black	4-6 weeks	7.40 kg	1.420
COM	Fabric	Black	4-6 weeks	7.40 kg	810

Fabric gr.	Seat Upholstery	Lead time	PRICE EX. STATE TAX
Fabric gr. 1	Grain, Hot Madison, Remix, Re-Wool	4-6 weeks	225
Fabric gr. 2	Barnum, Canvas, Fiord	4-6 weeks	295
Fabric gr. 3	Hallingdal, Mylla, Steelcut Quartet, Steelcut Trio	4-6 weeks	315
Fabric gr. 4	Acca, Cifrado, Ecriture, Vidar	4-6 weeks	385
Fabric gr. 5	Gentle, Karakorum, Sisu	4-6 weeks	475
Fabric gr. 6	Fuse	4-6 weeks	520
Leather	Tailor Semi-aniline leather	4-6 weeks	360
Leather	Noble Aniline leather	4-6 weeks	385
Leather	Elmosoft Semi-aniline leather	4-6 weeks	475
COM	Fabric	4-6 weeks	225

Rely ^{HW105} Hee Welling 2022



Product no.	Product	Variant	Lead time	PRICE EX. STATE TAX
145307	Plastic gliders for Drawn, Elefy w. wood base, Rely w. tube (ex. stacking) & wood base, Muno, and Meantime Lounge Chairs, 4 pcs	Black	Stock item	20
145308	Felt gliders for Drawn, Elefy w. wood base, Rely w. tube (ex. stacking) & wood base, Muno, and Meantime Lounge Chairs, 4 pcs	Black	Stock item	20



EU Ecolabel certified, validating high standards of durability, circular design, and responsible use of chemicals. Please contact our sales team for a list of EU Ecolabel compliant combinations.



Made using FSC® certified wood, supporting responsible environmental, social and economical management of the world's forests. Visit www.fsc.org

Material: Shell made from 100% recycled polypropylene with fiber glass, covered with HR foam with fabric or leather upholstery, steel tube base.

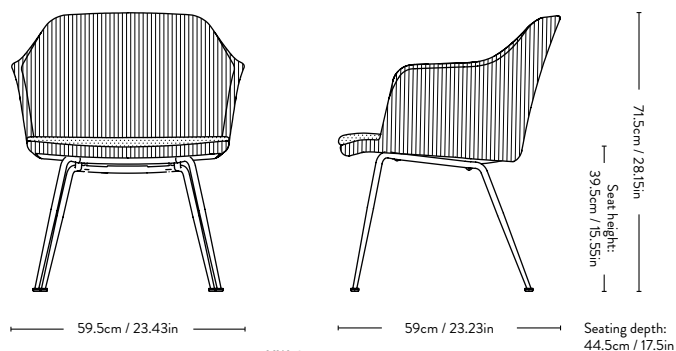
Plastic gliders installed as standard. Felt gliders available upon request.

Fabric usage: 2.3 meter (Shell: 1.5 meters / Seat: 0.8 meter) based on a 140 cm roll.

Leather usage: 3.4 square meters (Shell: 2.6 sqm / Seat: 0.8 sqm) based on a yield of 60% pr hide.

COM must be approved by &Tradition to ensure suitability for upholstery.

Minimum order quantity of same variant: 4 pcs.



HW105

Rely Side Chair Seat Pad Hee Welling 2020



Fabric gr.	Upholstery	Lead time	Weight	PRICE EX. STATE TAX
Fabric gr. 1	Grain, Hot Madison, Remix, Re-Wool	4-6 weeks	0.30 kg	170
Fabric gr. 2	Barnum, Canvas, Fiord	4-6 weeks	0.30 kg	205
Fabric gr. 3	Hallingdal, Mylla, Steelcut Quartet, Steelcut Trio	4-6 weeks	0.30 kg	225
Fabric gr. 4	Acca, Beda, Cifrado, Ecriture, Vidar	4-6 weeks	0.30 kg	270
Fabric gr. 5	Gentle, Karakorum, Sisu	4-6 weeks	0.30 kg	430
Fabric gr. 6	Fuse	4-6 weeks	0.30 kg	475
Leather	Tailor Semi-aniline leather	4-6 weeks	0.30 kg	205
Leather	Noble Aniline leather	4-6 weeks	0.30 kg	250
Leather	Elmosoft Semi-aniline leather	4-6 weeks	0.30 kg	270
COM	Fabric	4-6 weeks	0.30 kg	170

Material: HR foam with anti-slip backing with textile or leather upholstery.

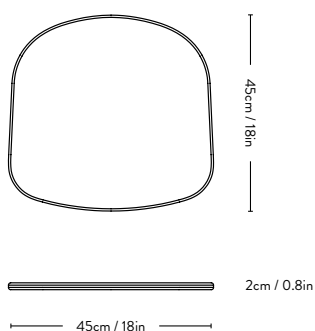
Fabric usage: 0.5 meter based on a 140 cm roll.

Leather usage: 1 square meters based on a yield of 60% pr hide.

Suitable for all Rely plastic sidechairs

COM must be approved by &Tradition to ensure suitability for upholstery.

Minimum order quantity of same variant: 4 pcs.



Rely Armchair Seat Pad Hee Welling 2021



Fabric gr.	Upholstery	Lead time	Weight	PRICE EX. STATE TAX
Fabric gr. 1	Grain, Hot Madison, Remix, Re-Wool	4-6 weeks	0.30 kg	170
Fabric gr. 2	Barnum, Canvas, Fiord	4-6 weeks	0.30 kg	205
Fabric gr. 3	Hallingdal, Mylla, Steelcut Quartet, Steelcut Trio	4-6 weeks	0.30 kg	225
Fabric gr. 4	Acca, Beda, Cifrado, Ecriture, Vidar	4-6 weeks	0.30 kg	270
Fabric gr. 5	Gentle, Karakorum, Sisu	4-6 weeks	0.30 kg	430
Fabric gr. 6	Fuse	4-6 weeks	0.30 kg	475
Leather	Tailor Semi-aniline leather	4-6 weeks	0.30 kg	205
Leather	Noble Aniline leather	4-6 weeks	0.30 kg	250
Leather	Elmosoft Semi-aniline leather	4-6 weeks	0.30 kg	270
COM	Fabric	4-6 weeks	0.30 kg	170

Material: HR foam with anti-slip backing with textile or leather upholstery.

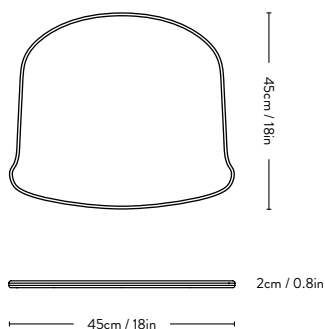
Fabric usage: 0.5 meter based on a 140 cm roll.

Leather usage: 1 square meters based on a yield of 60% pr hide.

Suitable for all Rely plastic armchairs

COM must be approved by &Tradition to ensure suitability for upholstery.

Minimum order quantity of same variant: 4 pcs.



Rely Stool Seat Pad Hee Welling 2021



Fabric gr.	Upholstery	Lead time	Weight	PRICE EX. STATE TAX
Fabric gr. 1	Grain, Hot Madison, Remix, Re-Wool	4-6 weeks	0.30 kg	170
Fabric gr. 2	Barnum, Canvas, Fiord	4-6 weeks	0.30 kg	205
Fabric gr. 3	Hallingdal, Mylla, Steelcut Quartet, Steelcut Trio	4-6 weeks	0.30 kg	225
Fabric gr. 4	Acca, Beda, Cifrado, Ecriture, Vidar	4-6 weeks	0.30 kg	270
Fabric gr. 5	Gentle, Karakorum, Sisu	4-6 weeks	0.30 kg	430
Fabric gr. 6	Fuse	4-6 weeks	0.30 kg	475
Leather	Tailor Semi-aniline leather	4-6 weeks	0.30 kg	205
Leather	Noble Aniline leather	4-6 weeks	0.30 kg	250
Leather	Elmosoft Semi-aniline leather	4-6 weeks	0.30 kg	270
COM	Fabric	4-6 weeks	0.30 kg	170

Material: HR foam with anti-slip backing with textile or leather upholstery.

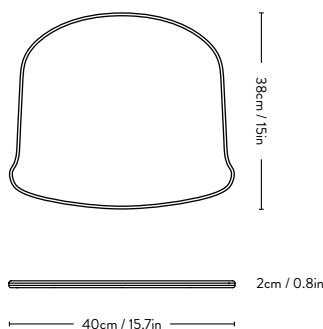
Fabric usage: 0.5 meter based on a 140 cm roll.

Leather usage: 1 square meters based on a yield of 60% pr hide.

Suitable for all Rely plastic stool

COM must be approved by &Tradition to ensure suitability for upholstery.

Minimum order quantity of same variant: 4 pcs.



Allwood AV35 Anderssen & Voll 2024



Product no.	Product	Variant	Colli qty.	Lead time	Weight	PRICE EX. STATE TAX
135298	Chair	Lacquered Oak	2 pcs	Stock item	5.80 kg	1.015
146860	Chair w. Linking device	Lacquered Oak	2 pcs	8-10 weeks	6.20 kg	1.145
135742	Stacking trolley	Lacquered Oak	1 pc	Stock item	9.30 kg	1.125

Product no.	Product	Variant	Colli qty.	Lead time	Weight	PRICE EX. STATE TAX
135743	Plastic Glider for Allwood, 4 pcs.	Black		Stock item		25
135744	Felt Glider for Allwood, 4 pcs.	Black		Stock item		25



EU Ecolabel certified, validating high standards of durability, circular design, and responsible use of chemicals. Please contact our sales team for a list of EU Ecolabel compliant combinations.

EU Ecolabel : DK/049/044



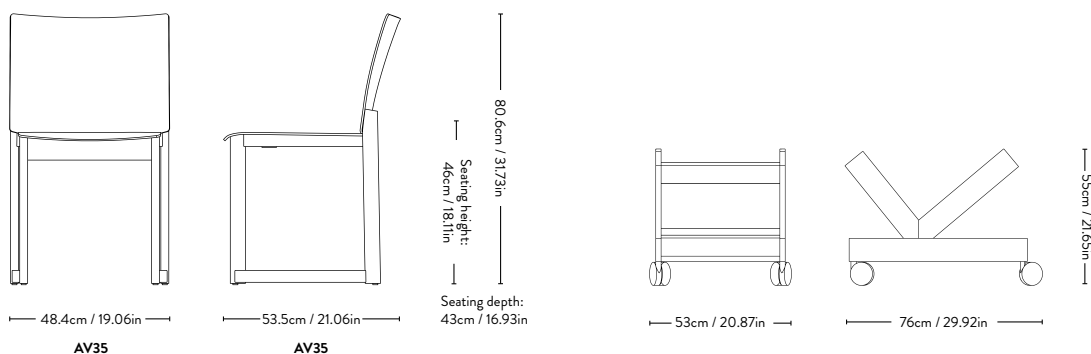
Made using FSC® certified wood, supporting responsible environmental, social and economical management of the world's forests. Visit www.fsc.org

The mark of responsible forestry

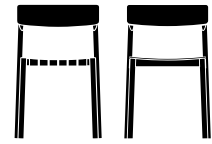
Material: Water based lacquered solid oak & oak veneer

Plastic gliders installed as standard.
Felt gliders available upon request.

Stacking quantity: 12 pcs



Betty^{TK1 & TK2} Thau & Kallio 2019



Product no.	Variant	Webbing	Product code	Colli qty.	Lead time	Weight	PRICE EX. STATE TAX
134353A017	Black	Natural	TK1	2 pcs	Stock item	4.00 kg	835
134354A017	Oak	Natural	TK1	2 pcs	Stock item	4.00 kg	835
135529A017	Smoked Oak	Natural	TK1	2 pcs	Stock item	4.00 kg	835
134353A016	Black	Black	TK1	2 pcs	Stock item	4.00 kg	835
134359	Black		TK2	2 pcs	Stock item	4.70 kg	675
134360	Oak		TK2	2 pcs	Stock item	4.70 kg	675
135531	Smoked Oak		TK2	2 pcs	Stock item	4.70 kg	675

Product no.	Product	Variant	Colli qty.	Lead time	Weight	PRICE EX. STATE TAX
134562	Linking device (must be specified with the order)		1 pc	6-8 weeks	0.40 kg	135
145306	Plastic gliders for In Between Chairs, Betty Chairs, and RFH Dining & Lounge Chair, 4 pcs	Black		Stock item		20
145309	Felt gliders for In Between Chairs, Betty Chairs, and RFH Dining & Lounge Chair, 4 pcs	Black		Stock item		20



TK2: EU Ecolabel certified, validating high standards of durability, circular design, and responsible use of chemicals. Please contact our sales team for a list of EU Ecolabel compliant combinations.

EU Ecolabel : DK/049/002



Made using FSC® certified wood, supporting responsible environmental, social and economical management of the world's forests. Visit www.fsc.org

The mark of responsible forestry

Frame Seat

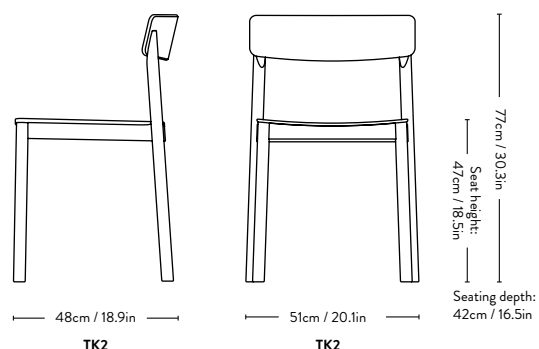
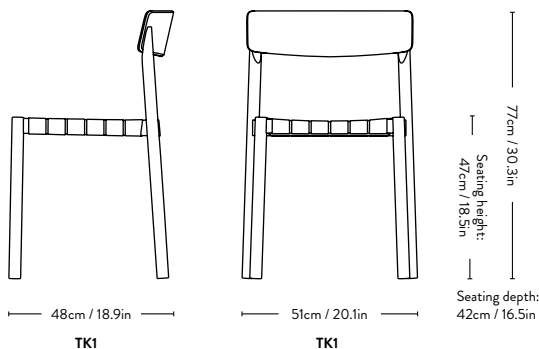
TK1 Wood Natural or Black Linen and PP webbing
TK2 Wood Veneer

Material: Water based lacquered or oiled solid wood and formpressed veneer with seat in natural or black linen and PP webbing or form pressed veneer.

TK1, TK2 Black water based lacquered ash.
TK1, TK2 Water based lacquered oak and Smoked oiled oak.

Plastic gliders installed as standard.
Felt gliders available upon request.

Stackable chair: 8 pcs



Betty^{TK3} Thau & Kallio 2019



Fabric gr.	Upholstery	Frame	Lead time	Weight	PRICE EX. STATE TAX
Fabric gr. 1	Grain, Hot Madison, Remix, Re-Wool	Black, Oak, Smoked Oak	6-8 weeks	5.60 kg	900
Fabric gr. 2	Barnum, Canvas, Fiord	Black, Oak, Smoked Oak	6-8 weeks	5.60 kg	945
Fabric gr. 3	Hallingdal, Mylla, Steelcut Quartet, Steelcut Trio	Black, Oak, Smoked Oak	6-8 weeks	5.60 kg	970
Fabric gr. 4	Acca, Beda, Cifrado, Ecriture, Vidar	Black, Oak, Smoked Oak	6-8 weeks	5.60 kg	990
Fabric gr. 5	Gentle, Karakorum, Sisu, Zade*	Black, Oak, Smoked Oak	6-8 weeks	5.60 kg	1.060
Fabric gr. 6	Fuse	Black, Oak, Smoked Oak	6-8 weeks	5.60 kg	1.170
Leather	Tailor Semi-aniline leather	Black, Oak, Smoked Oak	6-8 weeks	5.60 kg	925
Leather	Noble Aniline leather	Black, Oak, Smoked Oak	6-8 weeks	5.60 kg	1.015
Leather	Elmosoft Semi-aniline leather	Black, Oak, Smoked Oak	6-8 weeks	5.60 kg	1.080
COM	Fabric	Black, Oak, Smoked Oak	6-8 weeks	5.60 kg	900

Product no.	Product	Variant	Colli qty.	Lead time	Weight	PRICE EX. STATE TAX
134562	Linking device (must be specified with the order)		1 pc	6-8 weeks	0.40 kg	135
145306	Plastic gliders for In Between Chairs, Betty Chairs, and RFH Dining & Lounge Chair, 4 pcs	Black		Stock item		20
145309	Felt gliders for In Between Chairs, Betty Chairs, and RFH Dining & Lounge Chair, 4 pcs	Black		Stock item		20

* Please be aware that patterns may not align at seams or edges



EU Ecolabel certified, validating high standards of durability, circular design, and responsible use of chemicals. Please contact our sales team for a list of EU Ecolabel compliant combinations.

Frame **Seat**

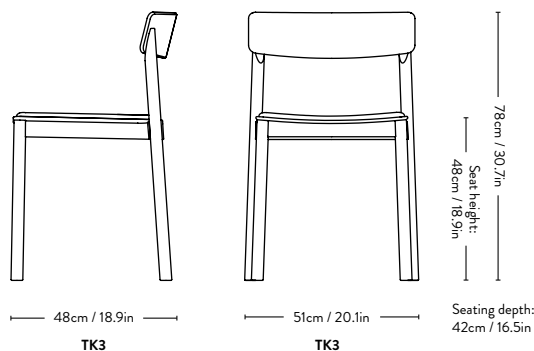
TK3 Wood Upholstered

Material: Water based lacquered or oiled solid wood and formpressed veneer with upholstered HR foam seat.
TK3 Black water based lacquered ash.
TK3 Water based lacquered oak and Smoked oiled oak.

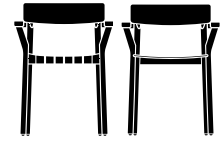
Fabric usage: 0.36 meter cm based on a 140 cm roll
Leather usage: 0.36 square meters based on a yield of 60% pr hide.

COM must be approved by &Tradition to ensure suitability for upholstery.

Plastic gliders installed as standard.
Felt gliders available upon request.



Betty^{TK9 & TK10} Thau & Kallio 2024



Product no.	Variant	Webbing	Product code	Colli qty.	Lead time	Weight	PRICE EX. STATE TAX
135541A017	Oak	Natural	TK9	2 pcs	Stock item	5.00 kg	1.240
135542A017	Black	Natural	TK9	2 pcs	Stock item	5.00 kg	1.240
135569A017	Smoked Oak	Natural	TK9	2 pcs	Stock item	5.00 kg	1.240
135542A016	Black	Black	TK9	2 pcs	Stock item	5.00 kg	1.240
135566	Oak		TK10	2 pcs	Stock item	5.00 kg	1.080
135567	Black		TK10	2 pcs	Stock item	5.00 kg	1.080
135568	Smoked Oak		TK10	2 pcs	Stock item	5.00 kg	1.080

Product no.	Product	Variant	Lead time	PRICE EX. STATE TAX
145306	Plastic gliders for In Between Chairs, Betty Chairs, and RFH Dining & Lounge Chair, 4 pcs	Black	Stock item	20
145309	Felt gliders for In Between Chairs, Betty Chairs, and RFH Dining & Lounge Chair, 4 pcs	Black	Stock item	20



TK10: EU Ecolabel certified, validating high standards of durability, circular design, and responsible use of chemicals. Please contact our sales team for a list of EU Ecolabel compliant combinations.



Made using FSC® certified wood, supporting responsible environmental, social and economical management of the world's forests. Visit www.fsc.org

Frame Seat

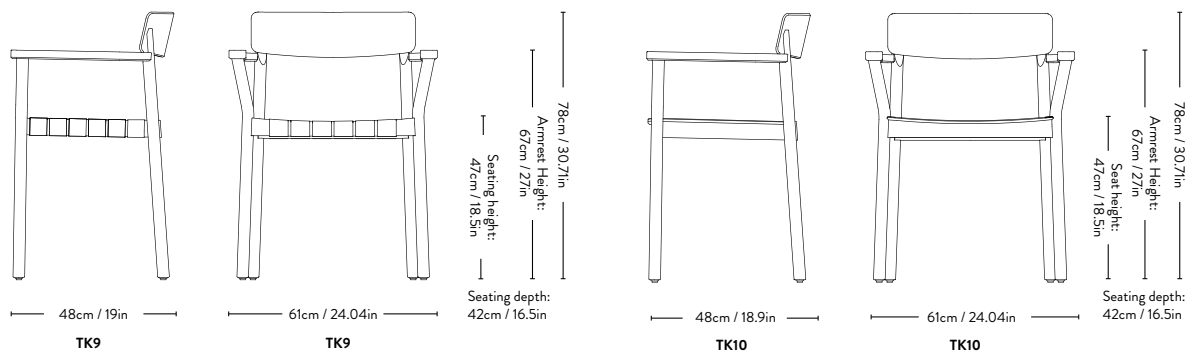
TK9 Wood Natural or Black Linen and PP webbing
TK10 Wood Veneer

Material: Water based lacquered or oiled solid wood and formpressed veneer with seat in natural or black linen and PP webbing or form pressed veneer.

TK9, TK10 Black water based lacquered ash.
 TK9, TK10 Water based lacquered oak and Smoked oiled oak.

Plastic gliders installed as standard.
 Felt gliders available upon request.

Stackable chair: 8 pcs



Betty^{TK11} Thau & Kallio 2024



Fabric gr.	Upholstery	Frame	Lead time	Weight	PRICE EX. STATE TAX
Fabric gr. 1	Grain, Hot Madison, Remix, Re-Wool	Black, Oak, Smoked Oak	6-8 weeks	5.60 kg	1.305
Fabric gr. 2	Barnum, Canvas, Fiord	Black, Oak, Smoked Oak	6-8 weeks	5.60 kg	1.350
Fabric gr. 3	Hallingdal, Mylla, Steelcut Quartet, Steelcut Trio	Black, Oak, Smoked Oak	6-8 weeks	5.60 kg	1.375
Fabric gr. 4	Acca, Beda, Cifrado, Ecriture, Vidar	Black, Oak, Smoked Oak	6-8 weeks	5.60 kg	1.395
Fabric gr. 5	Gentle, Karakorum, Sisu, Zade*	Black, Oak, Smoked Oak	6-8 weeks	5.60 kg	1.465
Fabric gr. 6	Fuse	Black, Oak, Smoked Oak	6-8 weeks	5.60 kg	1.575
Leather	Tailor Semi-aniline leather	Black, Oak, Smoked Oak	6-8 weeks	5.60 kg	1.330
Leather	Noble Aniline leather	Black, Oak, Smoked Oak	6-8 weeks	5.60 kg	1.420
Leather	Elmosoft Semi-aniline leather	Black, Oak, Smoked Oak	6-8 weeks	5.60 kg	1.485
COM	Fabric	Black, Oak, Smoked Oak	6-8 weeks	5.60 kg	1.305

Product no.	Product	Variant	Lead time	PRICE EX. STATE TAX
145306	Plastic gliders for In Between Chairs, Betty Chairs, and RFH Dining & Lounge Chair, 4 pcs	Black	Stock item	20
145309	Felt gliders for In Between Chairs, Betty Chairs, and RFH Dining & Lounge Chair, 4 pcs	Black	Stock item	20

* Please be aware that patterns may not align at seams or edges



EU Ecolabel certified, validating high standards of durability, circular design, and responsible use of chemicals. Please contact our sales team for a list of EU Ecolabel compliant combinations.

EU Ecolabel : DK/049/002



Made using FSC® certified wood, supporting responsible environmental, social and economical management of the world's forests. Visit www.fsc.org

Frame Seat

TK11 Wood Upholstered

Material: Water based lacquered or oiled solid wood and formpressed veneer with upholstered HR foam seat.

TK11 Black water based lacquered ash.
TK11 Water based lacquered oak and Smoked oiled oak.

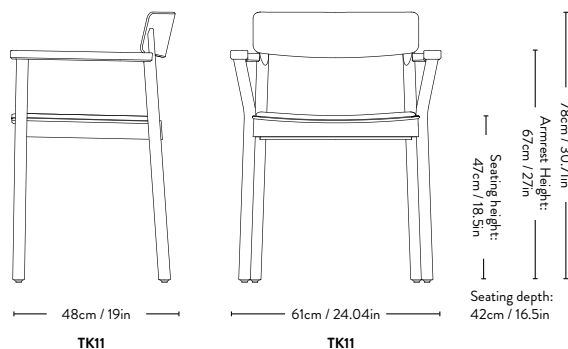
Fabric usage: 0.36 meter cm based on a 140 cm roll

Leather usage: 0.36 square meters based on a yield of 60% pr hide.

COM must be approved by &Tradition to ensure suitability for upholstery.

Plastic gliders installed as standard.

Felt gliders available upon request.



Betty^{TK4 & TK5} Thau & Kallio 2019



Product no.	Variant	Webbing	Product code	Colli qty.	Lead time	Weight	PRICE EX. STATE TAX
134371A017	Black	Natural	TK4	1 pc	Stock item	5.80 kg	1.240
134371A016	Black	Black	TK4	1 pc	Stock item	5.80 kg	1.240
134372A017	Oak	Natural	TK4	1 pc	Stock item	5.80 kg	1.240
135535A017	Smoked Oak	Natural	TK4	1 pc	Stock item	5.80 kg	1.240
134374A017	Black	Natural	TK5	1 pc	Stock item	7.40 kg	1.465
134374A016	Black	Black	TK5	1 pc	Stock item	7.40 kg	1.465
134375A017	Oak	Natural	TK5	1 pc	Stock item	7.40 kg	1.465
135536A017	Smoked Oak	Natural	TK5	1 pc	Stock item	7.40 kg	1.465



Made using FSC® certified wood, supporting responsible environmental, social and economical management of the world's forests. Visit www.fsc.org

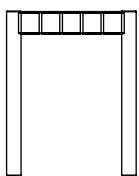
Frame Seat

TK4 Wood Natural or Black Linen and PP webbing
TK5 Wood Natural or Black Linen and PP webbing

Material: Water based lacquered or oiled solid wood and formpressed veneer with seat in natural linen and PP webbing.

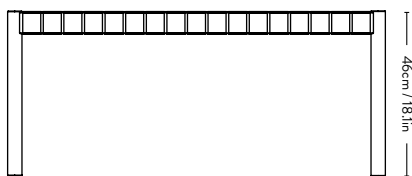
TK4, TK5 Black water based lacquered oak.
 TK4, TK5 Water based lacquered oak and Smoked oiled oak.

Felt gliders installed as standard.



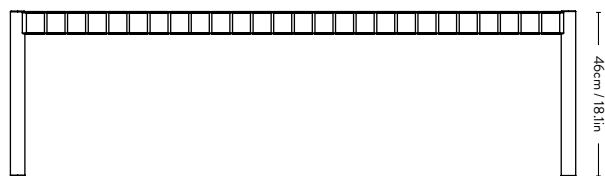
36cm / 14.2in

TK4 & TK5



105cm / 41.3in

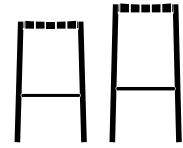
TK4



157cm / 61.8in

TK5

Betty^{TK7 & TK8} Thau & Kallio 2021



Product no.	Variant	Webbing	Product code	Colli qty.	Lead time	Weight	PRICE EX. STATE TAX
134377A017	Black	Natural	TK7	1 pc	Stock item	3.50 kg	855
134377A016	Black	Black	TK7	1 pc	Stock item	3.50 kg	855
134378A017	Oak	Natural	TK7	1 pc	Stock item	3.50 kg	855
135537A017	Smoked Oak	Natural	TK7	1 pc	Stock item	3.50 kg	855
134383A017	Black	Natural	TK8	1 pc	Stock item	3.50 kg	855
134383A016	Black	Black	TK8	1 pc	Stock item	3.50 kg	855
134384A017	Oak	Natural	TK8	1 pc	Stock item	3.50 kg	855
135539A017	Smoked Oak	Natural	TK8	1 pc	Stock item	3.50 kg	855

Product no.	Product	Product code	Variant	Colli qty.	Lead time	Weight	PRICE EX. STATE TAX
134563	Footrest protector			1 pc	Stock item	0.10 kg	70
	TK7 w. Footrest Protector*	TK7		1 pc	6-8 weeks	3.60 kg	925
	TK8 w. Footrest Protector*	TK8		1 pc	6-8 weeks	3.60 kg	925
145306	Plastic gliders for In Between Chairs, Betty Chairs, and RFH Dining & Lounge Chair, 4 pcs		Black		Stock item		20
145309	Felt gliders for In Between Chairs, Betty Chairs, and RFH Dining & Lounge Chair, 4 pcs		Black		Stock item		20



Made using FSC® certified wood, supporting responsible environmental, social and economical management of the world's forests. Visit www.fsc.org

Frame Seat

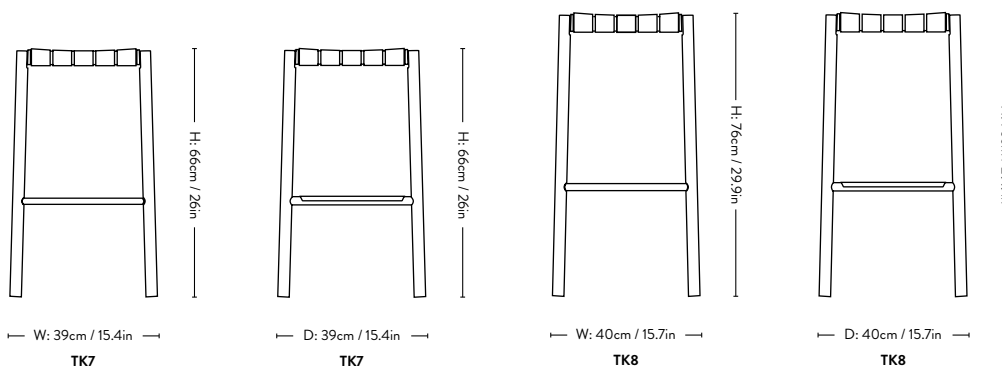
TK7 Wood Natural or Black Linen and PP webbing
TK8 Wood Natural or Black Linen and PP webbing

Material: Water based lacquered or oiled solid wood with seat in natural linen and PP webbing.
 The footrest protector is from steel.

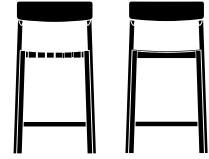
TK7, TK8 Water based Black lacquered ash.
 TK7, TK8 Water based lacquered oak and Smoked oiled oak.

Felt gliders are installed as standard.
 Plastic gliders available upon request.

*Please specify stool colour with the order (Black, Black/Black, Oak, Smoked Oak).



Betty^{TK12 & TK13} Thau & Kallio 2025



Product no.	Variant	Product code	Webbing	Colli qty.	Lead time	Weight	PRICE EX. STATE TAX
146183A016	Black	TK12	Black	1 pc	Stock item	4.60 kg	1.105
146183A017	Black	TK12	Natural	1 pc	Stock item	4.60 kg	1.105
146185A017	Oak	TK12	Natural	1 pc	Stock item	4.60 kg	1.105
146187A017	Smoked Oak	TK12	Natural	1 pc	Stock item	4.60 kg	1.105
146189	Black	TK13		1 pc	6-8 weeks	5.10 kg	945
146191	Oak	TK13		1 pc	6-8 weeks	5.10 kg	945
146193	Smoked Oak	TK13		1 pc	6-8 weeks	5.10 kg	945

Product no.	Product	Product code	Variant	Colli qty.	Lead time	Weight	PRICE EX. STATE TAX
134563	Footrest protector			1 pc	Stock item	0.10 kg	70
	TK12 w. Footrest Protector*	TK12		1 pc	6-8 weeks	4.70 kg	1.170
	TK13 w. Footrest Protector*	TK13		1 pc	6-8 weeks	5.20 kg	1.010
145306	Plastic gliders for In Between Chairs, Betty Chairs, and RFH Dining & Lounge Chair, 4 pcs		Black		Stock item		20
145309	Felt gliders for In Between Chairs, Betty Chairs, and RFH Dining & Lounge Chair, 4 pcs		Black		Stock item		20



TK12, TK13: EU Ecolabel certified, validating high standards of durability, circular design, and responsible use of chemicals. Please contact our sales team for a list of EU Ecolabel compliant combinations.

EU Ecolabel : DK/049/042



Made using FSC® certified wood, supporting responsible environmental, social and economical management of the world's forests. Visit www.fsc.org

Frame Seat

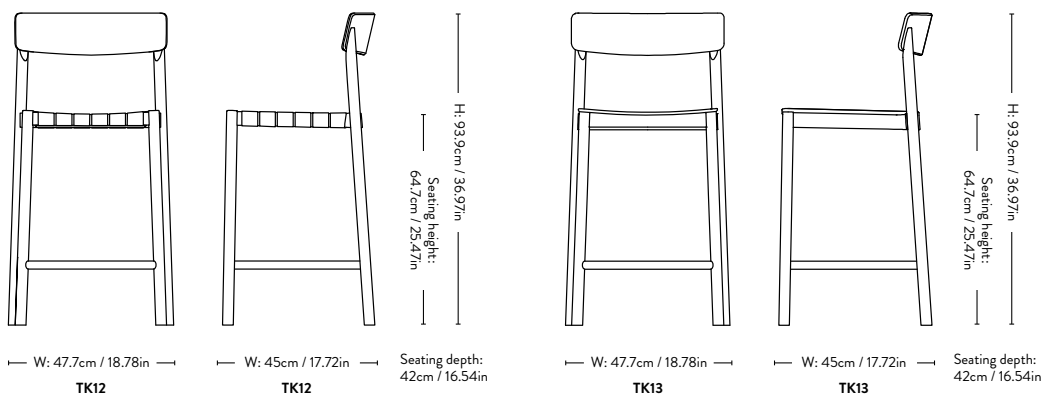
TK12 Wood Natural or Black Linen and PP webbing
TK13 Wood Veneer

Material: Water based lacquered or oiled solid wood and formpressed veneer with seat in natural or black linen and PP webbing or form pressed veneer.

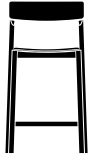
*Please specify stool colour with the order (Black, Black/Black, Oak, Smoked Oak).

TK12, TK13 Water based Black lacquered ash.
TK12, TK13 Water based lacquered oak and Smoked oiled oak.

Plastic gliders are installed as standard.
Felt gliders available upon request.



Betty^{TK14} Thau & Kallio 2025



Fabric gr.	Upholstery	Frame	Lead time	Weight	PRICE EX. STATE TAX
Fabric gr. 1	Grain, Hot Madison, Remix, Re-Wool	Black, Oak, Smoked Oak	6-8 weeks	6.00 kg	1.170
Fabric gr. 2	Barnum, Canvas, Fiord	Black, Oak, Smoked Oak	6-8 weeks	6.00 kg	1.215
Fabric gr. 3	Hallingdal, Mylla, Steelcut Quartet, Steelcut Trio	Black, Oak, Smoked Oak	6-8 weeks	6.00 kg	1.240
Fabric gr. 4	Acca, Beda, Cifrado, Ecriture, Vidar	Black, Oak, Smoked Oak	6-8 weeks	6.00 kg	1.260
Fabric gr. 5	Gentle, Karakorum, Sisu, Zade*	Black, Oak, Smoked Oak	6-8 weeks	6.00 kg	1.330
Fabric gr. 6	Fuse	Black, Oak, Smoked Oak	6-8 weeks	6.00 kg	1.440
Leather	Tailor semi-aniline leather	Black, Oak, Smoked Oak	6-8 weeks	6.00 kg	1.195
Leather	Noble Aniline leather	Black, Oak, Smoked Oak	6-8 weeks	6.00 kg	1.285
Leather	Elmosoft semi-aniline leather	Black, Oak, Smoked Oak	6-8 weeks	6.00 kg	1.350
COM	Fabric	Black, Oak, Smoked Oak	6-8 weeks	6.00 kg	1.170

Product no.	Product	Variant	Colli qty.	Lead time	Weight	PRICE EX. STATE TAX
134563	Footrest protector		1 pc	Stock item	0.10 kg	70
145306	Plastic gliders for In Between Chairs, Betty Chairs, and RFH Dining & Lounge Chair, 4 pcs	Black		Stock item		20
145309	Felt gliders for In Between Chairs, Betty Chairs, and RFH Dining & Lounge Chair, 4 pcs	Black		Stock item		20

* Please be aware that patterns may not align at seams or edges



Made using FSC® certified wood, supporting responsible environmental, social and economical management of the world's forests. Visit www.fsc.org

Frame Seat

TK14 Wood Upholstered

Material: Water based lacquered or oiled solid wood and formpressed veneer with upholstered HR foam seat.

TK14 Black water based lacquered ash.

TK14 Water based lacquered oak and Smoked oiled oak.

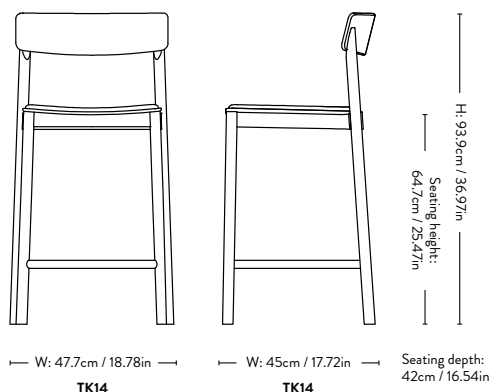
Fabric usage: 0.36 meter cm based on a 140 cm roll

Leather usage: 0.36 square meters based on a yield of 60% pr hide.

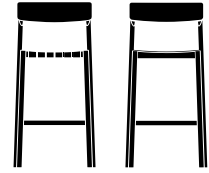
COM must be approved by &Tradition to ensure suitability for upholstery.

Plastic gliders installed as standard.

Felt gliders available upon request.



Betty^{TK15 & TK16} Thau & Kallio 2025



Product no.	Variant	Product code	Webbing	Colli qty.	Lead time	Weight	PRICE EX. STATE TAX
146201A016	Black	TK15	Black	1 pc	Stock item	5.30 kg	1.105
146201A017	Black	TK15	Natural	1 pc	Stock item	5.30 kg	1.105
146203A017	Oak	TK15	Natural	1 pc	Stock item	5.30 kg	1.105
146205A017	Smoked oak	TK15	Natural	1 pc	Stock item	5.30 kg	1.105
146207	Black	TK16		1 pc	6-8 weeks	5.80kg	945
146209	Oak	TK16		1 pc	6-8 weeks	5.80kg	945
146211	Smoked oak	TK16		1 pc	6-8 weeks	5.80kg	945

Product no.	Product	Product code	Variant	Colli qty.	Lead time	Weight	PRICE EX. STATE TAX
134563	Footrest protector			1 pc	Stock item	0.10 kg	70
	TK15 w. Footrest Protector*	TK15		1 pc	6-8 weeks	5.40 kg	1.170
	TK16 w. Footrest Protector*	TK16		1 pc	6-8 weeks	5.90 kg	1.010
145306	Plastic gliders for In Between Chairs, Betty Chairs, and RFH Dining & Lounge Chair, 4 pcs		Black		Stock item		20
145309	Felt gliders for In Between Chairs, Betty Chairs, and RFH Dining & Lounge Chair, 4 pcs		Black		Stock item		20



TK15, TK16: EU Ecolabel certified, validating high standards of durability, circular design, and responsible use of chemicals. Please contact our sales team for a list of EU Ecolabel compliant combinations.

EU Ecolabel : 06/049/042



Made using FSC® certified wood, supporting responsible environmental, social and economical management of the world's forests. Visit www.fsc.org

The mark of responsible forestry

Frame Seat

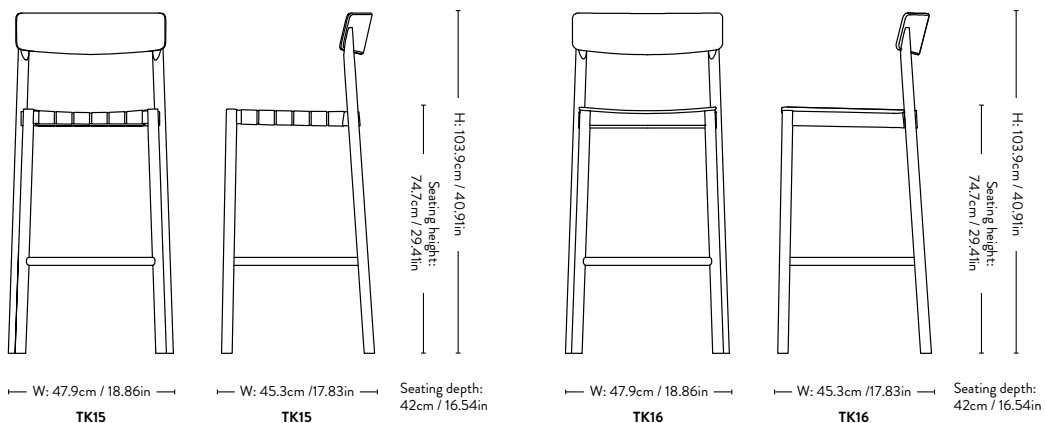
TK15 Wood Natural or Black Linen and PP webbing
TK16 Wood Veneer

Material: Water based lacquered or oiled solid wood and formpressed veneer with seat in natural or black linen and PP webbing or form pressed veneer.

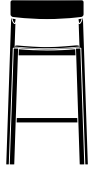
*Please specify stool colour with the order (Black, Black/Black, Oak, Smoked Oak).

TK15, TK16 Water based Black lacquered ash.
 TK15, TK16 Water based lacquered oak and Smoked oiled oak.

Plastic gliders are installed as standard.
 Felt gliders available upon request.



Betty^{TK17} Thau & Kallio 2025



Fabric gr.	Upholstery	Frame	Lead time	Weight	PRICE EX. STATE TAX
Fabric gr. 1	Grain, Hot Madison, Remix, Re-Wool	Black, Oak, Smoked Oak	6-8 weeks	6.70 kg	1.170
Fabric gr. 2	Barnum, Canvas, Fiord	Black, Oak, Smoked Oak	6-8 weeks	6.70 kg	1.215
Fabric gr. 3	Hallingdal, Mylla, Steelcut Quartet, Steelcut Trio	Black, Oak, Smoked Oak	6-8 weeks	6.70 kg	1.240
Fabric gr. 4	Acca, Beda, Cifrado, Ecriture, Vidar	Black, Oak, Smoked Oak	6-8 weeks	6.70 kg	1.260
Fabric gr. 5	Gentle, Karakorum, Sisu, Zade*	Black, Oak, Smoked Oak	6-8 weeks	6.70 kg	1.330
Fabric gr. 6	Fuse	Black, Oak, Smoked Oak	6-8 weeks	6.70 kg	1.440
Leather	Tailor semi-aniline leather	Black, Oak, Smoked Oak	6-8 weeks	6.70 kg	1.195
Leather	Noble Aniline leather	Black, Oak, Smoked Oak	6-8 weeks	6.70 kg	1.285
Leather	Elmosoft semi-aniline leather	Black, Oak, Smoked Oak	6-8 weeks	6.70 kg	1.350
COM	Fabric	Black, Oak, Smoked Oak	6-8 weeks	6.70 kg	1.170

Product no.	Product	Variant	Colli qty.	Lead time	Weight	PRICE EX. STATE TAX
134563	Footrest protector		1 pc	Stock item	0.10 kg	70
145306	Plastic gliders for In Between Chairs, Betty Chairs, and RFH Dining & Lounge Chair, 4 pcs	Black		Stock item		20
145309	Felt gliders for In Between Chairs, Betty Chairs, and RFH Dining & Lounge Chair, 4 pcs	Black		Stock item		20

* Please be aware that patterns may not align at seams or edges



Made using FSC® certified wood, supporting responsible environmental, social and economical management of the world's forests. Visit www.fsc.org

Frame Seat

TK17 Wood Upholstered

Material: Water based lacquered or oiled solid wood and formpressed veneer with upholstered HR foam seat.

TK17 Black water based lacquered ash.

TK17 Water based lacquered oak and Smoked oiled oak.

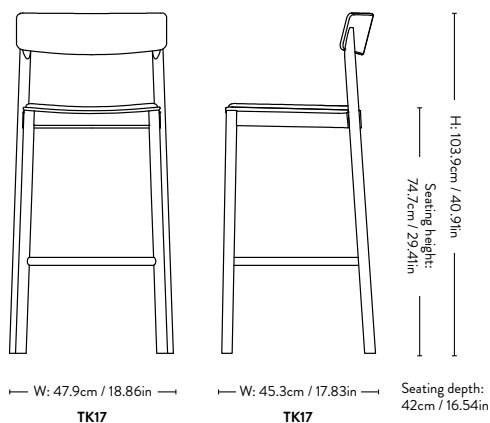
Fabric usage: 0.36 meter cm based on a 140 cm roll

Leather usage: 0.36 square meters based on a yield of 60% pr hide.

COM must be approved by &Tradition to ensure suitability for upholstery.

Plastic gliders installed as standard.

Felt gliders available upon request.



Daystak RD1 Robin Day 1951



Product no.	Variant	Colli qty.	Lead time	Weight	PRICE EX. STATE TAX
137915	Beech	2 pcs	Stock item	4.54 kg	790
137916	Beech & Walnut	2 pcs	Stock item	4.54 kg	790



EU Ecolabel certified, validating high standards of durability, circular design, and responsible use of chemicals. Please contact our sales team for a list of EU Ecolabel compliant combinations.

EU Ecolabel : DK/049/042

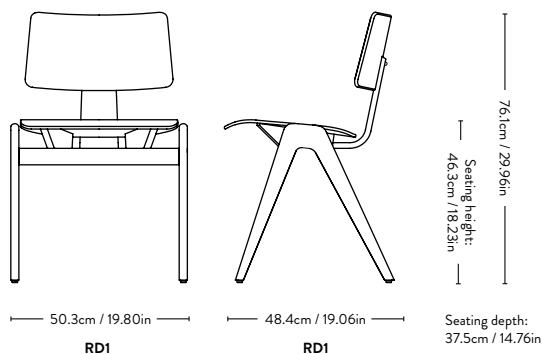


Made using FSC® certified wood, supporting responsible environmental, social and economical management of the world's forests. Visit www.fsc.org

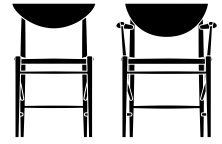
Material: Water based laquered solid beech, beech wood veneer and walnut veneer.

Felt gliders are installed as standard.
Plastic gliders available upon request.

Stacking quantity: 5 pcs



Drawn^{HM3 & HM4} Hvidt & Mølgaard 1956



Product no.	Upholstery	Product code	Colli qty.	Lead time	Weight	PRICE EX. STATE TAX
134415A014	Oiled Oak w. Natural Paper Cord	HM3	1 pc	Stock item	6.00 kg	1.305
134416A014	Black Lacquered Oak w. Natural Paper Cord	HM3	1 pc	Stock item	6.00 kg	1.305
134417A014	Walnut w. Natural Paper Cord	HM3	1 pc	Stock item	6.00 kg	1.465
134419A014	Oiled Oak w. Natural Paper Cord	HM4	1 pc	Stock item	6.80 kg	1.755
134420A014	Black Lacquered Oak with Natural Paper Cord	HM4	1 pc	Stock item	6.80 kg	1.755
134421A014	Walnut w. Natural Paper Cord	HM4	1 pc	Stock item	6.80 kg	1.980

Product no.	Variant	Product code	Colli qty.	Lead time	Weight	PRICE EX. STATE TAX
134422A237A061A503	Drawn Seat Pad w. Black Prescott Leather	HM3	1 pc	6-8 weeks	0.60 kg	170
134422A237A061A504	Drawn Seat Pad w. Cognac Prescott Leather	HM3	1 pc	6-8 weeks	0.60 kg	170
134423A237A061A503	Drawn Seat Pad w. Black Prescott Leather	HM4	1 pc	6-8 weeks	0.70 kg	205
134423A237A061A504	Drawn Seat Pad w. Cognac Prescott Leather	HM4	1 pc	6-8 weeks	0.70 kg	205

Product no.	Product	Variant	Lead time	PRICE EX. STATE TAX
145307	Plastic gliders for Drawn, Elefy w. wood base, Rely w. tube (ex. stacking) & wood base, Muno, and Meantime Lounge Chairs, 4 pcs	Black	Stock item	20
145308	Felt gliders for Drawn, Elefy w. wood base, Rely w. tube (ex. stacking) & wood base, Muno, and Meantime Lounge Chairs, 4 pcs	Black	Stock item	20



Oiled Oak and Black Oak made using FSC® certified wood, supporting responsible environmental, social and economical management of the world's forests. Visit www.fsc.org

Frame

Oiled Oak
Black water based lacquered Oak
Oiled Walnut

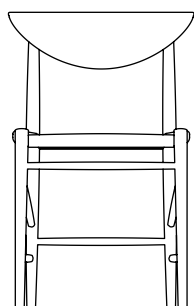
Seat

Natural Paper Cord

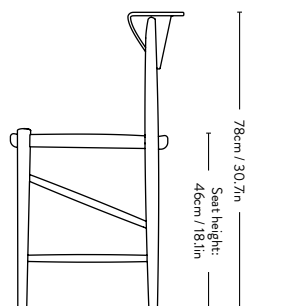
Material: Solid wood, formpressed wood veneer & paper cord.

Plastic gliders are installed as standard.

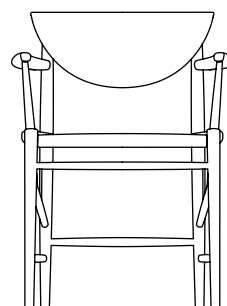
Felt gliders available upon request.



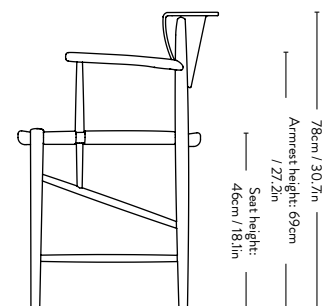
HM3



HM3



HM4



HM4

Ita OS5 & OS6 OEO Studio 2025



Product no.	Variant	Product code	Size	Colli qty.	Lead time	Weight	PRICE EX. STATE TAX
140002A469	Oak	OS5	170 x 30 cm	1 pc	Stock item	32.50 kg	1.800
140003A526	Dark Stained Oak	OS5	170 x 30 cm	1 pc	Stock item	32.50 kg	1.800
140004A469	Oak	OS6	230 x 30 cm	1 pc	Stock item	41.50 kg	2.025
140005A526	Dark Stained Oak	OS6	230 x 30 cm	1 pc	Stock item	41.50 kg	2.025

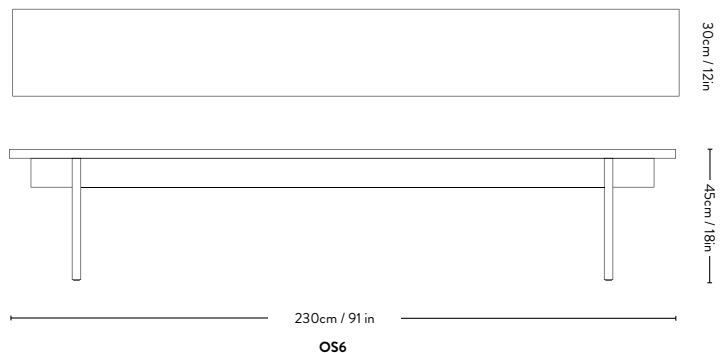
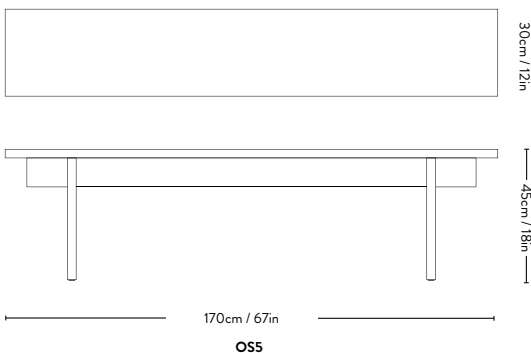


Made using FSC® certified wood, supporting responsible environmental, social and economical management of the world's forests. Visit www.fsc.org

Materials:

Bench: MDF, oak veneer and solid oak edges.

Plastic gliders are installed as standard.



NEW

Ita OS5 & OS6

OEO Studio

2025



Product no.	Variant	Product code	Size	Colli qty.	Lead time	Weight	PRICE EX. STATE TAX
139833A235A030A502	Ita Seat Pad w. Cognac Noble Aniline Leather	OS5	170 x 28 cm	1 pc	Stock item	2.10 kg	565
139836A235A030A502	Ita Seat Pad w. Cognac Noble Aniline Leather	OS6	230 x 28 cm	1 pc	Stock item	2.70 kg	790

Fabric gr.	Upholstery	Product code	Size	Lead time	Weight	PRICE EX. STATE TAX
Fabric gr. 1	Grain, Hot Madison, Remix, Re-wool	OS5	170 x 28 cm	6-8 weeks	2.10 kg	360
Fabric gr. 2	Barnum, Canvas, Fiord	OS5	170 x 28 cm	6-8 weeks	2.10 kg	405
Fabric gr. 3	Hallingdal, Mylla, Steelcut Quartet, Steelcut Trio	OS5	170 x 28 cm	6-8 weeks	2.10 kg	430
Fabric gr. 4	Acca, Beda, Cifrado, Ecriture, Vidar	OS5	170 x 28 cm	6-8 weeks	2.10 kg	495
Fabric gr. 5	Gentle, Karakorum, Sisu, Zade*	OS5	170 x 28 cm	6-8 weeks	2.10 kg	520
Fabric gr. 6	Fuse	OS5	170 x 28 cm	6-8 weeks	2.10 kg	675
Leather	Tailor Semi-aniline leather	OS5	170 x 28 cm	6-8 weeks	2.10 kg	610
Leather	Noble Aniline leather	OS5	170 x 28 cm	6-8 weeks	2.10 kg	675
Leather	Elmosoft Semi-aniline leather	OS5	170 x 28 cm	6-8 weeks	2.10 kg	745
COM	Fabric	OS5	170 x 28 cm	6-8 weeks	2.10 kg	360

Fabric gr.	Upholstery	Product code	Size	Lead time	Weight	PRICE EX. STATE TAX
Fabric gr. 1	Grain, Hot Madison, Remix, Re-wool	OS6	230 x 28 cm	6-8 weeks	2.70 kg	405
Fabric gr. 2	Barnum, Canvas, Fiord	OS6	230 x 28 cm	6-8 weeks	2.70 kg	450
Fabric gr. 3	Hallingdal, Mylla, Steelcut Quartet, Steelcut Trio	OS6	230 x 28 cm	6-8 weeks	2.70 kg	475
Fabric gr. 4	Acca, Beda, Cifrado, Ecriture, Vidar	OS6	230 x 28 cm	6-8 weeks	2.70 kg	565
Fabric gr. 5	Gentle, Karakorum, Sisu, Zade*	OS6	230 x 28 cm	6-8 weeks	2.70 kg	610
Fabric gr. 6	Fuse	OS6	230 x 28 cm	6-8 weeks	2.70 kg	790
Leather	Tailor Semi-aniline leather	OS6	230 x 28 cm	6-8 weeks	2.70 kg	720
Leather	Noble Aniline leather	OS6	230 x 28 cm	6-8 weeks	2.70 kg	790
Leather	Elmosoft Semi-aniline leather	OS6	230 x 28 cm	6-8 weeks	2.70 kg	855
COM	Fabric	OS6	230 x 28 cm	6-8 weeks	2.70 kg	405

* Please be aware that patterns may not align at seams or edges

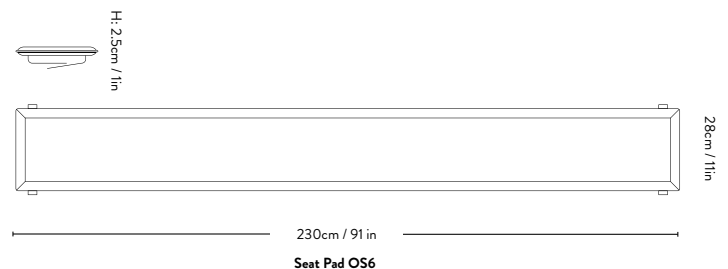
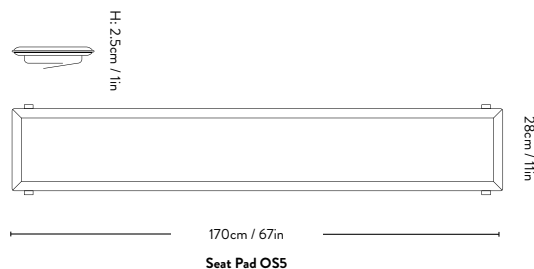
** Please be aware that the placement of the pattern may vary from piece to piece due to optimal usage of fabric when cutting. Patterns may not align at seams or edges

Minimum order quantity of same fabric/leather and colour: 3 pcs.

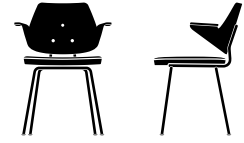
Materials: HR foam with anti-slip backing with textile or leather upholstery.

OS5: Fabric usage: 0.8 meter based based on a 140cm roll
Leather usage: 1.3 square meters based on a yield of 60% pr hide.

OS6: Fabric usage: 1 meter based based on a 140cm roll
Leather usage: 1.7 square meters based on a yield of 60% pr hide.
 COM must be approved by &Tradition to ensure suitability for upholstery.



RFH RD7 Robin Day 1951



Fabric gr.	Upholstery	Base	Lead time	Weight	PRICE EX. STATE TAX
Fabric gr. 1	Grain, Hot Madison, Remix, Re-wool	Black	6-8 weeks	7.50 kg	1.125
Fabric gr. 2	Barnum, Canvas, Fiord	Black	6-8 weeks	7.50 kg	1.195
Fabric gr. 3	Hallingdal, Mylla, Steelcut Quartet, Steelcut Trio	Black	6-8 weeks	7.50 kg	1.240
Fabric gr. 4	Acca, Beda, Cifrado, Ecriture, Vidar	Black	6-8 weeks	7.50 kg	1.350
Fabric gr. 5	Gentle, Karakorum, Sisu	Black	6-8 weeks	7.50 kg	1.485
Fabric gr. 6	Fuse	Black	6-8 weeks	7.50 kg	1.845
Leather	Tailor Semi-aniline leather	Black	6-8 weeks	7.50 kg	1.575
Leather	Noble Aniline leather	Black	6-8 weeks	7.50 kg	1.800
Leather	Elmosoft Semi-aniline leather	Black	6-8 weeks	7.50 kg	1.935
COM	Fabric	Black	6-8 weeks	7.50 kg	1.125

Product no.	Product	Variant	Lead time	PRICE EX. STATE TAX
145306	Plastic gliders for In Between Chairs, Betty Chairs, and RFH Dining & Lounge Chair, 4 pcs	Black	Stock item	20
145309	Felt gliders for In Between Chairs, Betty Chairs, and RFH Dining & Lounge Chair, 4 pcs	Black	Stock item	20



Made using FSC® certified wood, supporting responsible environmental, social and economical management of the world's forests. Visit www.fsc.org

Material: Water based laquered walnut and beech veneer, powder-coated steel tubing, steel rod, HR foam.

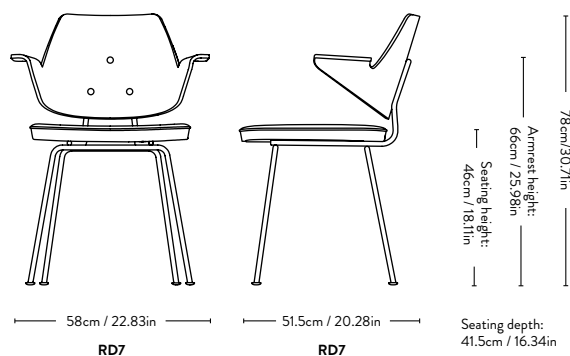
Fabric usage: 1.29 meter based based on a 140cm roll

Leather usage: 0.69 square meters based on a yield of 60% pr hide.

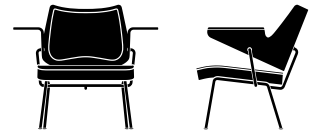
COM must be approved by &Tradition to ensure suitability for upholstery.

Plastic gliders installed as standard.

Felt gliders available upon request.



RFH RD8 Robin Day 1951



Fabric gr.	Upholstery	Base	Lead time	Weight	PRICE EX. STATE TAX
Fabric gr. 1	Grain, Hot Madison, Remix, Re-wool	Black	6-8 weeks	13.00 kg	3.265
Fabric gr. 2	Barnum, Canvas, Fiord	Black	6-8 weeks	13.00 kg	3.375
Fabric gr. 3	Hallingdal, Mylla, Steelcut Quartet, Steelcut Trio	Black	6-8 weeks	13.00 kg	3.600
Fabric gr. 4	Acca, Cifrado, Ecriture, Vidar	Black	6-8 weeks	13.00 kg	3.825
Fabric gr. 5	Gentle, Karakorom, Sisu	Black	6-8 weeks	13.00 kg	3.940
Fabric gr. 6	Fuse	Black	6-8 weeks	13.00 kg	4.275
Leather	Tailor Semi-aniline leather	Black	6-8 weeks	13.00 kg	3.940
Leather	Noble Aniline leather	Black	6-8 weeks	13.00 kg	4.275
Leather	Elmosoft Semi-aniline leather	Black	6-8 weeks	13.00 kg	4.500
COM	Fabric	Black	6-8 weeks	13.00 kg	3.265

Product no.	Product	Variant	Lead time	PRICE EX. STATE TAX
145306	Plastic gliders for In Between Chairs, Betty Chairs, and RFH Dining & Lounge Chair, 4 pcs	Black	Stock item	20
145309	Felt gliders for In Between Chairs, Betty Chairs, and RFH Dining & Lounge Chair, 4 pcs	Black	Stock item	20



Made using FSC® certified wood, supporting responsible environmental, social and economical management of the world's forests. Visit www.fsc.org

Material: Water based laquered walnut and beech veneer, powder-coated steel tubing, steel rod, HR foam.

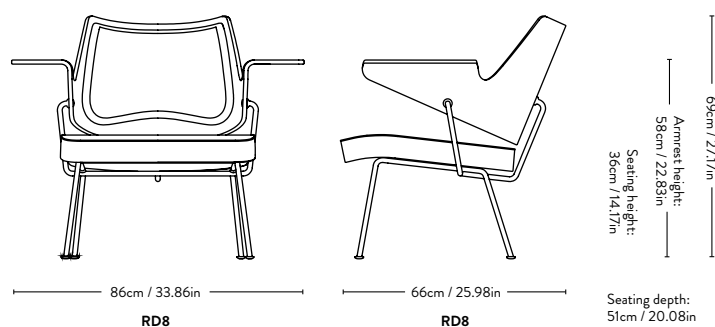
Fabric usage: 1.42 meter based based on a 140cm roll

Leather usage: 1.43 square meters based on a yield of 60% pr hide.

COM must be approved by &Tradition to ensure suitability for upholstery.

Plastic gliders installed as standard.

Felt gliders available upon request.



NEW

Kape ^{IF7} Industrial Facility 2026



Fabric gr.	Upholstery	Base	Lead time	Weight	PRICE EX. STATE TAX
Fabric gr. 1	Grain, Hot Madison, Remix, Re-wool	Warm Black, Polished Aluminium	4-6 weeks	11.70 kg	1.125
Fabric gr. 2	Barnum, Canvas, Fiord	Warm Black, Polished Aluminium	4-6 weeks	11.70 kg	1.195
Fabric gr. 3	Hallingdal, Mylla, Steelcut Quartet, Steelcut Trio	Warm Black, Polished Aluminium	4-6 weeks	11.70 kg	1.240
Fabric gr. 4	Acca, Cifrado, Ecriture, Vidar	Warm Black, Polished Aluminium	4-6 weeks	11.70 kg	1.350
Fabric gr. 5	Gentle, Karakorum, Sisu	Warm Black, Polished Aluminium	4-6 weeks	11.70 kg	1.440
Fabric gr. 6	Fuse	Warm Black, Polished Aluminium	4-6 weeks	11.70 kg	1.735
Leather	Tailor Semi-aniline leather	Warm Black, Polished Aluminium	4-6 weeks	11.70 kg	1.195
Leather	Noble Aniline leather	Warm Black, Polished Aluminium	4-6 weeks	11.70 kg	1.285
Leather	Elmosoft Semi-aniline leather	Warm Black, Polished Aluminium	4-6 weeks	11.70 kg	1.330
COM	Fabric	Warm Black, Polished Aluminium	4-6 weeks	11.70 kg	1.125

Material: Aluminium frame, foam, wood seat and back.

Fabric usage: 1.11 meter based on a 140 cm roll

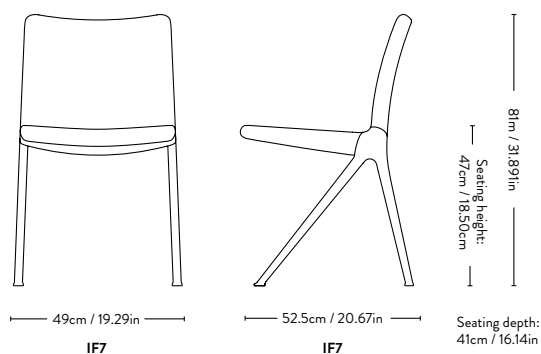
Leather usage: 2 square meters based on a yield of 60% pr hide.

COM must be approved by &Tradition to ensure suitability for upholstery.

Plastic gliders installed as standard.

Felt gliders available upon request.

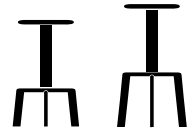
Removable cover. Please refer to the 'Spare Parts' section.



Massif AV39 & AV40

Anderssen & Voll

2024



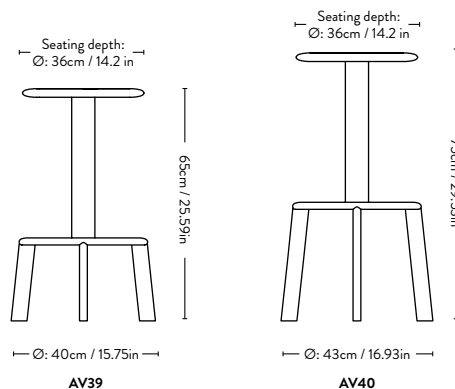
Product no.	Variant	Product code	Colli qty.	Lead time	Weight	PRICE EX. STATE TAX
137909	Oak & Grey Beige	AV39	1 pc	Stock item	7.60 kg	810
137910	Dark Stained Oak & Warm Black	AV39	1 pc	Stock item	7.60 kg	810
137911	Ember	AV39	1 pc	Stock item	7.60 kg	810
137912	Oak & Grey Beige	AV40	1 pc	Stock item	8.60 kg	835
137913	Dark Stained Oak & Warm Black	AV40	1 pc	Stock item	8.60 kg	835
137914	Ember	AV40	1 pc	Stock item	8.60 kg	835



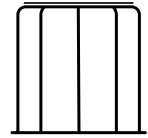
Made using FSC® certified wood, supporting responsible environmental, social and economical management of the world's forests. Visit www.fsc.org

Material: Water based laquered oak and powder-coated steel.

Plastic gliders are installed as standard.



Wire stool ^{VP11} Verner Panton 1981



Product no.	Product	Variant	Colli qty.	Lead time	Weight	PRICE EX. STATE TAX
134553	Wire Stool	Stainless Steel	1 pc	Stock item	2.30 kg	340
146546A336	Marble Top	Nero Marquina	1 pc	Stock item	5.00 kg	340
146546A258	Marble Top	Bianco Carrara	1 pc	Stock item	5.00 kg	340
157502A336	Wire Stool w. Marble Top	Nero Marquina	1 pc	Stock item		675
157502A258	Wire Stool w. Marble Top	Bianco Carrara	1 pc	Stock item		675
139433	Stacking Trolley		1 pc	Stock item	1.80 kg	675

Fabric gr.	Product	Upholstery	Lead time	Weight	PRICE EX. STATE TAX
Fabric gr. 1	Seat Pad	Grain, Hot Madison, Remix, Re-Wool	6-8 weeks	0.40 kg	170
Fabric gr. 2	Seat Pad	Barnum, Canvas, Fiord	6-8 weeks	0.40 kg	180
Fabric gr. 3	Seat Pad	Hallingdal, Mylla, Steelcut Quartet, Steelcut Trio	6-8 weeks	0.40 kg	190
Fabric gr. 4	Seat Pad	Acca, Beda, Cifrado, Ecriture, Vidar	6-8 weeks	0.40 kg	205
Fabric gr. 5	Seat Pad	Gentle, Karakorum, Sisu	6-8 weeks	0.40 kg	215
Fabric gr. 6	Seat Pad	Fuse	6-8 weeks	0.40 kg	270
Leather	Seat Pad	Tailor Semi-aniline leather	6-8 weeks	0.40 kg	250
Leather	Seat Pad	Noble Aniline leather	6-8 weeks	0.40 kg	270
Leather	Seat Pad	Elmosoft Semi-aniline leather	6-8 weeks	0.40 kg	295
COM	Seat Pad	Fabric	6-8 weeks	0.40 kg	170

Material:

Stool & Stacking Trolley: Stainless steel

Cushion: Molded foam with integrated neodynamic magnet upholstered with fabric/leather cover with zipper and logo.

Marble top: Marble

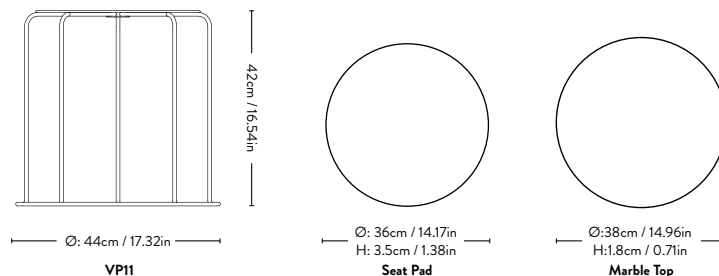
Fabric usage: 0.34 meter based on a 140 cm roll.

Leather usage: 0.72 square meters based on a yield of 60% pr hide.

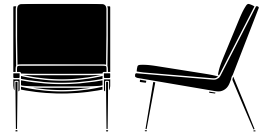
COM must be approved by &Tradition to ensure suitability for upholstery.

Cushion, Minimum order quantity of same fabric and colour: 3 pcs.

Stacking qty: 12 pcs



Boomerang^{HM1} Hvidt & Mølgaard 1956



Fabric gr.	Upholstery	Base	Variant	Lead time	Weight	PRICE EX. STATE TAX
Fabric gr. 1	Grain, Hot Madison, Remix, Re-Wool	Brass, Stainless Steel	Oiled Oak	6-8 weeks	8.50 kg	4.275
		Brass, Stainless Steel	Oiled Walnut			4.725
Fabric gr. 2	Barnum, Canvas, Fiord	Brass, Stainless Steel	Oiled Oak	6-8 weeks	8.50 kg	4.500
		Brass, Stainless Steel	Oiled Walnut			4.950
Fabric gr. 3	Hallingdal, Mylla, Steelcut Quartet, Steelcut Trio	Brass, Stainless Steel	Oiled Oak	6-8 weeks	8.50 kg	4.615
		Brass, Stainless Steel	Oiled Walnut			5.065
Fabric gr. 4	Acca, Beda, Cifrado, Ecriture, Vidar	Brass, Stainless Steel	Oiled Oak	6-8 weeks	8.50 kg	4.725
		Brass, Stainless Steel	Oiled Walnut			5.175
Fabric gr. 5	Gentle, Karakorum, Sisu	Brass, Stainless Steel	Oiled Oak	6-8 weeks	8.50 kg	4.950
		Brass, Stainless Steel	Oiled Walnut			5.400
Fabric gr. 6	Fuse	Brass, Stainless Steel	Oiled Oak	6-8 weeks	8.50 kg	5.625
		Brass, Stainless Steel	Oiled Walnut			6.075
COM	Fabric	Brass, Stainless Steel	Oiled Oak	6-8 weeks	8.50 kg	4.275
		Brass, Stainless Steel	Oiled Walnut			4.725



Oiled Oak made using FSC® certified wood, supporting responsible environmental, social and economical management of the world's forests. Visit www.fsc.org

Frame	Variant
Wood	Oiled Oak, Oiled Walnut
Metal	Brass, Stainless Steel

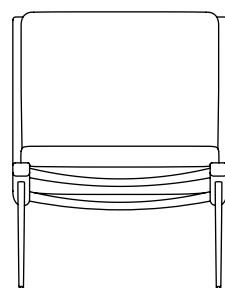
Material: Wood, HR foam, polyester wadding, fabric upholstery, brass, and stainless steel.

Fabric usage: 2 meters based on a 140cm roll.

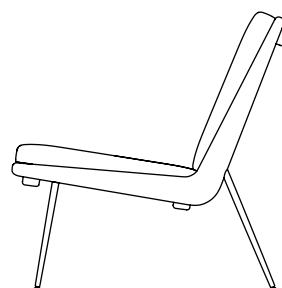
COM must be approved by &Tradition to ensure suitability for upholstery.

HM1 is not available in leather.

Plastic gliders installed as standard.



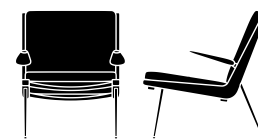
61cm / 24in
HM1



79cm / 31in
HM1

80cm / 31.5in
Seat height:
42cm / 16.5in
Seating depth:
50cm / 19.7

Boomerang^{HM2} Hvidt & Mølgaard 1956



Fabric gr.	Upholstery	Base	Variant	Lead time	Weight	PRICE EX. STATE TAX
Fabric gr. 1	Grain, Hot Madison, Remix, Re-Wool	Brass, Stainless Steel	Oiled Oak	6-8 weeks	8.50 kg	4.725
		Brass, Stainless Steel	Oiled Walnut			5.400
Fabric gr. 2	Barnum, Canvas, Fiord	Brass, Stainless Steel	Oiled Oak	6-8 weeks	8.50 kg	4.950
		Brass, Stainless Steel	Oiled Walnut			5.625
Fabric gr. 3	Hallingdal, Mylla, Steelcut Quartet, Steelcut Trio	Brass, Stainless Steel	Oiled Oak	6-8 weeks	8.50 kg	5.065
		Brass, Stainless Steel	Oiled Walnut			5.740
Fabric gr. 4	Acca, Beda, Cifrado, Ecriture, Vidar	Brass, Stainless Steel	Oiled Oak	6-8 weeks	8.50 kg	5.175
		Brass, Stainless Steel	Oiled Walnut			5.850
Fabric gr. 5	Gentle, Karakorum, Sisu	Brass, Stainless Steel	Oiled Oak	6-8 weeks	8.50 kg	5.400
		Brass, Stainless Steel	Oiled Walnut			6.075
Fabric gr. 6	Fuse	Brass, Stainless Steel	Oiled Oak	6-8 weeks	8.50 kg	6.075
		Brass, Stainless Steel	Oiled Walnut			6.755
COM	Fabric	Brass, Stainless Steel	Oiled Oak	6-8 weeks	8.50 kg	4.725
		Brass, Stainless Steel	Oiled Walnut			5.400



Oiled Oak made using FSC® certified wood, supporting responsible environmental, social and economical management of the world's forests. Visit www.fsc.org

Frame	Variant
Wood	Oiled Oak, Oiled Walnut
Metal	Brass, Stainless Steel

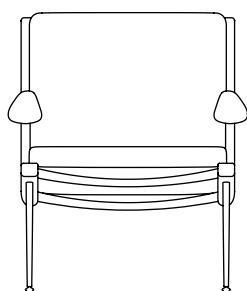
Material: Wood, HR foam, polyester wadding, fabric upholstery, brass, and stainless steel.

Fabric usage: 2 meters based on a 140cm roll.

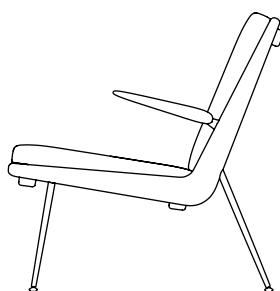
COM must be approved by &Tradition to ensure suitability for upholstery.

HM2 is not available in leather.

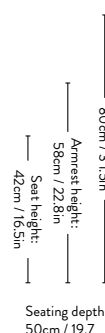
Plastic gliders installed as standard.



69cm / 27.2in
HM2



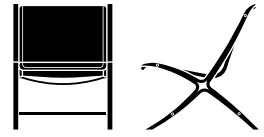
79cm / 31in
HM2



80cm / 31.5in
Armrest height:
58cm / 22.8in
Seat height:
42cm / 16.5in
Seating depth:
50cm / 19.7

X HM10

Hvidt & Mølgaard 1959



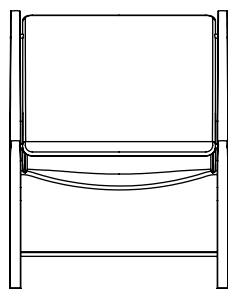
Product no.	Variant	Colli qty.	Lead time	Weight	PRICE EX. STATE TAX
134413A015	Lacquered oak w. walnut inserts and natural rattan	1 pc	Stock item	6.27 kg	2.250



Made using FSC® certified wood, supporting responsible environmental, social and economical management of the world's forests. Visit www.fsc.org

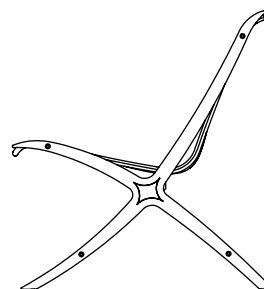
Material: Water based lacquered oak veneer w. solid walnut inserts and natural rattan seat

Plastic gliders installed as standard
Interchangeable felt gliders available upon request.



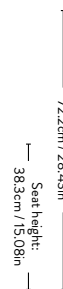
56.6cm / 22.28in

HM10



67.3cm / 26.5in

HM10

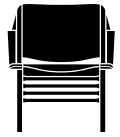


72.2cm / 28.43in
Seat height:
38.3cm / 15.08in

Seating depth:
44.5cm / 17.5in

AX^{HM11}

Hvidt & Mølgaard 1950



Product no.	Variant	Colli qty.	Lead time	Weight	PRICE EX. STATE TAX
134549	Oak and Walnut	1 pc	Stock item	6.20 kg	2.250
134550	Dark Stained Oak	1 pc	Stock item	6.20 kg	2.250



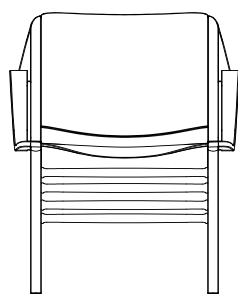
EU Ecolabel certified, validating high standards of durability, circular design, and responsible use of chemicals. Please contact our sales team for a list of EU Ecolabel compliant combinations.

Material: Water based lacquered oak veneer, walnut veneer, and solid walnut inserts

Plastic gliders installed as standard
Interchangeable felt gliders available upon request.

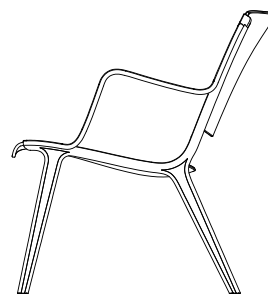


Made using FSC® certified wood, supporting responsible environmental, social and economical management of the world's forests. Visit www.fsc.org



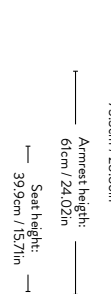
62.2cm / 24.49in

HM11



71.1cm / 27.99in

HM11



73.3cm / 28.86in
Armrest height:
61cm / 24.02in
Seat height:
39.9cm / 15.71in

Seating depth:
53.2cm / 20.94in

Little Petra ^{VB1} Viggo Boesen 1938



Product no.	Upholstery	Base	Lead time	Weight	PRICE EX. STATE TAX
134424A237A020A399	Karakorum 003	Oak	3-5 weeks	20.00 kg	5.625
134425A237A020A399	Karakorum 003	Walnut	3-5 weeks	20.00 kg	5.625
134424A237A042A745	Sheepskin, 17mm Moonlight	Oak	3-5 weeks	20.00 kg	7.650
134425A237A042A745	Sheepskin, 17mm Moonlight	Walnut	3-5 weeks	20.00 kg	7.650
134424A237A040A731	Sheepskin, 17mm Sahara	Oak	3-5 weeks	20.00 kg	7.650
134425A237A040A731	Sheepskin, 17mm Sahara	Walnut	3-5 weeks	20.00 kg	7.650
134424A237A041A738	Sheepskin, 50mm Honey	Oak	3-5 weeks	20.00 kg	7.650
134425A237A041A738	Sheepskin, 50mm Honey	Walnut	3-5 weeks	20.00 kg	7.650

Fabric gr.	Upholstery	Base	Lead time	Weight	PRICE EX. STATE TAX
Fabric gr. 2	Barnum, Canvas, Fiord	Oak, Walnut	6-8 weeks	20.00 kg	4.950
Fabric gr. 3	Hallingdal, Mylla, Steelcut Quartet, Steelcut Trio	Oak, Walnut	6-8 weeks	20.00 kg	5.175
Fabric gr. 4	Acca, Cifrado, Ecriture, Vidar	Oak, Walnut	6-8 weeks	20.00 kg	5.400
Fabric gr. 5	Gentle, Karakorum, Sisu	Oak, Walnut	6-8 weeks	20.00 kg	6.525
Fabric gr. 6		Oak, Walnut	6-8 weeks	20.00 kg	7.200
Sheepskin MTO	Sheepskin 17mm, Sheepskin 50mm	Oak, Walnut	10-12 weeks	20.00 kg	9.005
COM	Fabric	Oak, Walnut	6-8 weeks	20.00 kg	4.950



Made using FSC® certified wood, supporting responsible environmental, social and economical management of the world's forests. Visit www.fsc.org

Base	Variant
Solid Oak	Oiled Oak
Solid Walnut	Oiled Walnut

Material: Wood, HR foam, polyester wadding, fabric upholstery.

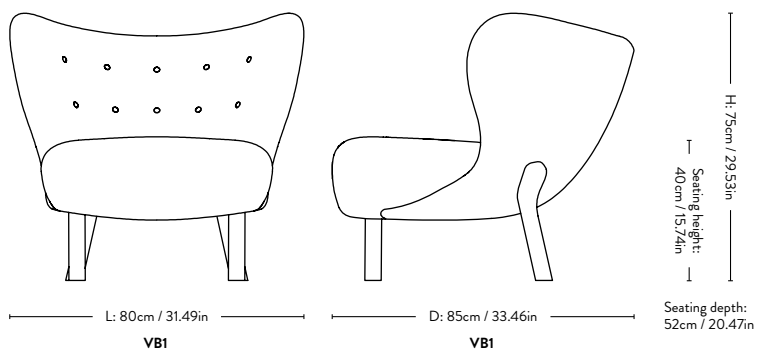
Fabric usage: 3.5 meters based on a 140cm roll.

COM must be approved by &Tradition to ensure suitability for upholstery.

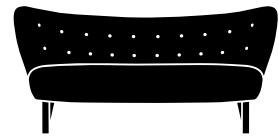
Little Petra VB1 is not available in leather.

Felt gliders installed as standard.

As with most natural materials, differences in structure, density and thickness are expected, as two pieces of sheepskin never look identical and tend to show natural variations in both curls and tones.



Little Petra ^{VB2} Viggo Boesen 1938



Product no.	Upholstery	Base	Lead time	Weight	PRICE EX. STATE TAX
134427A237A020A399	Karakorum 003	Oak	3-5 weeks	35.00 kg	8.325
134428A237A020A399	Karakorum 003	Walnut	3-5 weeks	35.00 kg	8.325
134427A237A042A745	Sheepskin Moonlight 17mm	Oak	3-5 weeks	35.00 kg	11.255
134428A237A042A745	Sheepskin Moonlight 17mm	Walnut	3-5 weeks	35.00 kg	11.255
134427A237A040A731	Sheepskin Sahara 17mm	Oak	3-5 weeks	35.00 kg	11.255
134428A237A040A731	Sheepskin Sahara 17mm	Walnut	3-5 weeks	35.00 kg	11.255

Fabric gr.	Upholstery	Base	Lead time	Weight	PRICE EX. STATE TAX
Fabric gr. 2	Barnum, Canvas, Fiord	Oak, Walnut	6-8 weeks	35.00 kg	8.215
Fabric gr. 3	Hallingdal, Mylla, Steelcut Quartet, Steelcut Trio	Oak, Walnut	6-8 weeks	35.00 kg	8.440
Fabric gr. 4	Acca, Cifrado, Ecriture, Vidar	Oak, Walnut	6-8 weeks	35.00 kg	8.890
Fabric gr. 5	Gentle, Karakorum, Sisu	Oak, Walnut	6-8 weeks	35.00 kg	9.905
Fabric gr. 6		Oak, Walnut	6-8 weeks	35.00 kg	10.915
Sheepskin MTO	Sheepskin 17mm, Sheepskin 50mm	Oak, Walnut	10-12 weeks	35.00 kg	12.380
COM	Fabric	Oak, Walnut	6-8 weeks	35.00 kg	8.215



Made using FSC® certified wood, supporting responsible environmental, social and economical management of the world's forests. Visit www.fsc.org

Base Variant

Solid Oak Oiled Oak
Solid Walnut Oiled Walnut

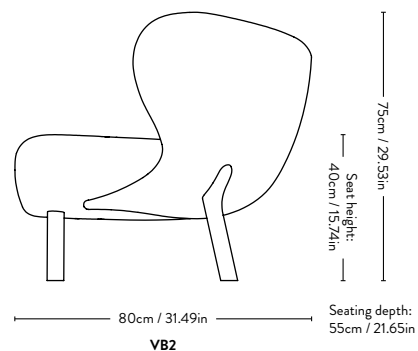
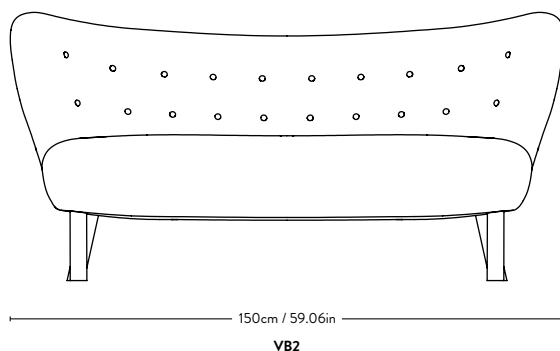
Material: Wood, HR foam, polyester wadding, fabric upholstery.

Fabric usage: 5.6 meters based on a 140cm roll.

COM must be approved by &Tradition to ensure suitability for upholstery.

Little Petra VB2 is not available in leather. Felt gliders installed as standard.

As with most natural materials, differences in structure, density and thickness are expected, as two pieces of sheepskin never look identical and tend to show natural variations in both curls and tones.



Petra ^{VB3} Viggo Boesen 1938



Product no.	Upholstery	Base	Lead time	Weight	PRICE EX. STATE TAX
135359A237A020A399	Karakorum 003	Oak	3-5 weeks	26.50 kg	6.750
135358A237A020A399	Karakorum 003	Walnut	3-5 weeks	26.50 kg	6.750
135359A237A042A745	Sheepskin Moonlight 17mm	Oak	3-5 weeks	26.50 kg	11.255
135358A237A042A745	Sheepskin Moonlight 17mm	Walnut	3-5 weeks	26.50 kg	11.255
135359A237A040A731	Sheepskin Sahara 17mm	Oak	3-5 weeks	26.50 kg	11.255
135358A237A040A731	Sheepskin Sahara 17mm	Walnut	3-5 weeks	26.50 kg	11.255
135359A237A041A738	Sheepskin Honey 50 mm	Oak	3-5 weeks	26.50 kg	11.255
135358A237A041A738	Sheepskin Honey 50 mm	Walnut	3-5 weeks	26.50 kg	11.255

Fabric gr.	Upholstery	Base	Lead time	Weight	PRICE EX. STATE TAX
Fabric gr. 2	Barnum, Canvas, Fiord	Oak, Walnut	6-8 weeks	26.50 kg	6.075
Fabric gr. 3	Hallingdal, Mylla, Steelcut Quartet, Steelcut Trio	Oak, Walnut	6-8 weeks	26.50 kg	6.300
Fabric gr. 4	Acca, Cifrado, Ecriture, Vidar	Oak, Walnut	6-8 weeks	26.50 kg	6.525
Fabric gr. 5	Gentle, Karakorum, Sisu	Oak, Walnut	6-8 weeks	26.50 kg	7.650
Fabric gr. 6		Oak, Walnut	6-8 weeks	26.50 kg	8.550
Sheepskin MTO	Sheepskin 17mm, Sheepskin 50mm	Oak, Walnut	10-12 weeks	26.50 kg	12.605
COM	Fabric	Oak, Walnut	6-8 weeks	26.50 kg	6.075



Made using FSC® certified wood, supporting responsible environmental, social and economical management of the world's forests. Visit www.fsc.org

Base Variant

Solid Oak Oiled Oak
Solid Walnut Oiled Walnut

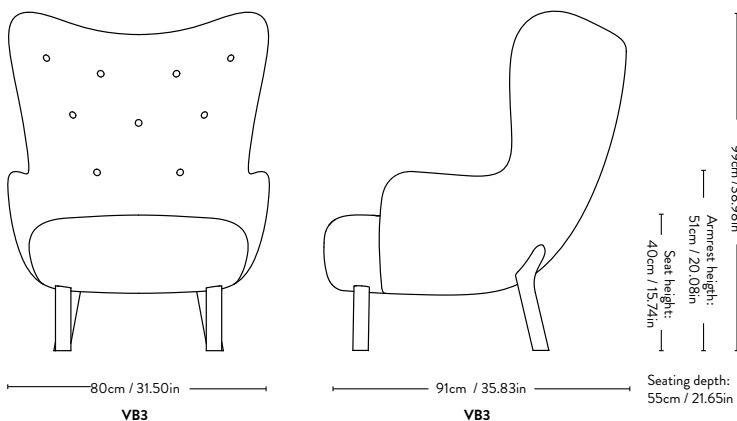
Material: Wood, HR foam, polyester wadding, fabric upholstery

Fabric usage: 4.6 meters based on a 140cm roll

COM must be approved by &Tradition to ensure suitability for upholstery.

Petra VB3 is not available in leather.
Felt gliders installed as standard.

As with most natural materials, differences in structure, density and thickness are expected, as two pieces of sheepskin never look identical and tend to show natural variations in both curls and tones.



Pouf^{ATD1} &Tradition 2020



Fabric gr.	Upholstery	Base	Colli qty.	Lead time	Weight	PRICE EX. STATE TAX
Fabric gr. 2	Barnum, Canvas, Fiord	Oak, Walnut	1 pc	6-8 weeks	5.20 kg	1.690
Fabric gr. 3	Hallingdal, Mylla, Steelcut Quartet, Steelcut Trio	Oak, Walnut	1 pc	6-8 weeks	5.20 kg	1.745
Fabric gr. 4	Acca, Cifrado, Ecriture, Vidar	Oak, Walnut	1 pc	6-8 weeks	5.20 kg	1.755
Fabric gr. 5	Gentle, Karakorum, Sisu	Oak, Walnut	1 pc	6-8 weeks	5.20 kg	1.800
Fabric gr. 6	Gentle, Karakorum, Sisu	Oak, Walnut	1 pc	6-8 weeks	5.20 kg	1.980
Sheepskin MTO	Sheepskin 17mm, Sheepskin 50mm	Oak, Walnut	1 pc	10-12 weeks	5.20 kg	2.365
COM	Fabric	Oak, Walnut	1 pc	6-8 weeks	5.20 kg	1.690



Made using FSC® certified wood, supporting responsible environmental, social and economical management of the world's forests. Visit www.fsc.org

Base Variant

Solid Oak Oiled Oak
Solid Walnut Oiled Walnut

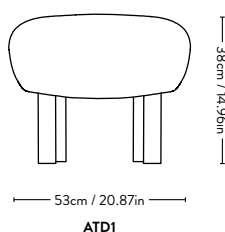
Material: Wood, HR foam, polyester wadding, fabric upholstery.

Fabric usage: 1.2 meter based on a 140cm roll.

COM must be approved by &Tradition to ensure suitability for upholstery.

Pouf ATD1 is not available in leather.
Felt gliders installed as standard.

As with most natural materials, differences in structure, density and thickness are expected, as two pieces of sheepskin never look identical and tend to show natural variations in both curls and tones.



Little Petra & Pouf ^{VB1 & ATD1}

Viggo Boesen

1938



Product no.	Upholstery	Product code	Base	Lead time	Weight	PRICE EX. STATE TAX
134431A237A020A399	Karakorum 003	VB1 & ATD1	Oak	6-8 weeks	25.20 kg	7.425
134432A237A020A399	Karakorum 003	VB1 & ATD1	Walnut	6-8 weeks	25.20 kg	7.425
134431A237A042A745	Sheepskin Moonlight 17mm	VB1 & ATD1	Oak	6-8 weeks	25.20 kg	10.015
134432A237A042A745	Sheepskin Moonlight 17mm	VB1 & ATD1	Walnut	6-8 weeks	25.20 kg	10.015
134431A237A040A731	Sheepskin Sahara 17mm	VB1 & ATD1	Oak	6-8 weeks	25.20 kg	10.015
134432A237A040A731	Sheepskin Sahara 17mm	VB1 & ATD1	Walnut	6-8 weeks	25.20 kg	10.015
134431A237A041A738	Sheepskin Honey 50mm	VB1 & ATD1	Oak	6-8 weeks	25.20 kg	10.015
134432A237A041A738	Sheepskin Honey 50mm	VB1 & ATD1	Walnut	6-8 weeks	25.20 kg	10.015

Fabric gr.	Upholstery	Product code	Base	Lead time	Weight	PRICE EX. STATE TAX
Fabric gr. 2	Barnum, Canvas, Fiord	VB1 & ATD1	Oak, Walnut	6-8 weeks	25.20 kg	6.640
Fabric gr. 3	Hallingdal, Mylla, Steelcut Quartet, Steelcut Trio	VB1 & ATD1	Oak, Walnut	6-8 weeks	25.20 kg	6.865
Fabric gr. 4	Acca, Cifrado, Ecriture, Vidar	VB1 & ATD1	Oak, Walnut	6-8 weeks	25.20 kg	7.155
Fabric gr. 5	Gentle, Karakorum, Sisu	VB1 & ATD1	Oak, Walnut	6-8 weeks	25.20 kg	8.325
Fabric gr. 6		VB1 & ATD1	Oak, Walnut	6-8 weeks	25.20 kg	9.160
Sheepskin MTO	Sheepskin 17mm, Sheepskin 50mm	VB1 & ATD1	Oak, Walnut	10-12 weeks	25.20 kg	11.365
COM	Fabric	VB1 & ATD1	Oak, Walnut	6-8 weeks	25.20 kg	6.640



Made using FSC® certified wood, supporting responsible environmental, social and economical management of the world's forests. Visit www.fsc.org

Base Variant

Solid Oak	Oiled Oak
Solid Walnut	Oiled Walnut

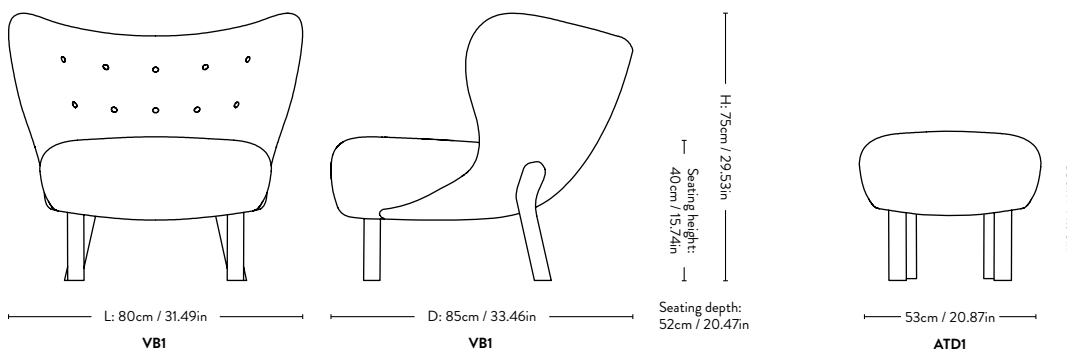
Material: Wood, HR foam, polyester wadding, fabric upholstery.

Fabric usage: 4.7 meters based on a 140cm roll.

COM must be approved by &Tradition to ensure suitability for upholstery.

Little Petra VB1 & Pouf ATD1 are not available in leather. Felt gliders installed as standard.

As with most natural materials, differences in structure, density and thickness are expected, as two pieces of sheepskin never look identical and tend to show natural variations in both curls and tones.



Petra & Pouf ^{VB3 & ATD1} Viggo Boesen 1938



Product no.	Upholstery	Product code	Base	Lead time	Weight	PRICE EX. STATE TAX
135657A237A020A399	Karakorum 003	VB3 & ATD1	Oak	6-8 weeks	31.70 kg	8.550
135658A237A020A399	Karakorum 003	VB3 & ATD1	Walnut	6-8 weeks	31.70 kg	8.550
135657A237A042A745	Sheepskin Moonlight 17mm	VB3 & ATD1	Oak	6-8 weeks	31.70 kg	13.620
135658A237A042A745	Sheepskin Moonlight 17mm	VB3 & ATD1	Walnut	6-8 weeks	31.70 kg	13.620
135657A237A040A731	Sheepskin Sahara 17mm	VB3 & ATD1	Oak	6-8 weeks	31.70 kg	13.620
135658A237A040A731	Sheepskin Sahara 17mm	VB3 & ATD1	Walnut	6-8 weeks	31.70 kg	13.620
135657A237A041A738	Sheepskin Honey 50 mm	VB3 & ATD1	Oak	6-8 weeks	31.70 kg	13.620
135658A237A041A738	Sheepskin Honey 50 mm	VB3 & ATD1	Walnut	6-8 weeks	31.70 kg	13.620

Fabric gr.	Upholstery	Product code	Base	Lead time	Weight	PRICE EX. STATE TAX
Fabric gr. 2	Barnum, Canvas, Fiord	VB3 & ATD1	Oak, Walnut	6-8 weeks	31.70 kg	7.765
Fabric gr. 3	Hallingdal, Mylla, Steelcut Quartet, Steelcut Trio	VB3 & ATD1	Oak, Walnut	6-8 weeks	31.70 kg	8.045
Fabric gr. 4	Acca, Cifrado, Ecriture, Vidar	VB3 & ATD1	Oak, Walnut	6-8 weeks	31.70 kg	8.280
Fabric gr. 5	Gentle, Karakorum, Sisu	VB3 & ATD1	Oak, Walnut	6-8 weeks	31.70 kg	9.450
Fabric gr. 6	Gentle, Karakorum, Sisu	VB3 & ATD1	Oak, Walnut	6-8 weeks	31.70 kg	10.530
Sheepskin MTO	Sheepskin 17mm, Sheepskin 50mm	VB3 & ATD1	Oak, Walnut	10-12 weeks	31.70 kg	14.970
COM	Fabric	VB3 & ATD1	Oak, Walnut	6-8 weeks	31.70 kg	7.765



Made using FSC® certified wood, supporting responsible environmental, social and economical management of the world's forests. Visit www.fsc.org

Base Variant

Solid Oak Oiled Oak
Solid Walnut Oiled Walnut

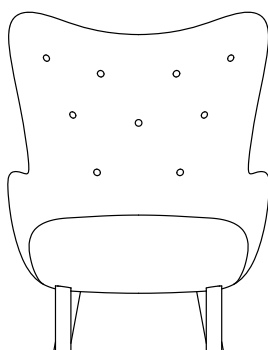
Material: Wood, HR foam, polyester wadding,

Fabric usage: 5.6 meters based on a 140cm roll

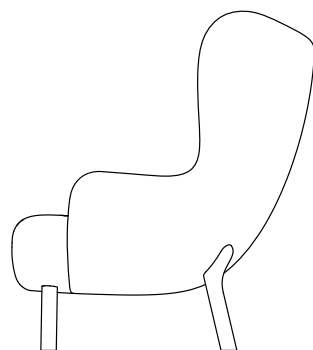
COM must be approved by &Tradition to ensure suitability for upholstery.

Petra VB3 and Pouf ATD1 are not available in leather
Felt gliders installed as standard.

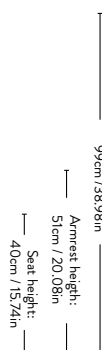
As with most natural materials, differences in structure, density and thickness are expected, as two pieces of sheepskin never look identical and tend to show natural variations in both curls and tones.



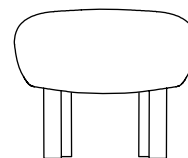
80cm / 31.49in
VB3



91cm / 35.83in
VB3

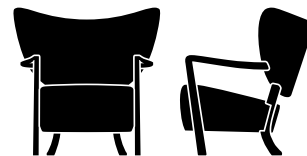


Seating depth:
55cm / 21.65in



53cm / 20.87in
ATD1

Wulff ^{ATD2} &Tradition 1938 / 2021



Product no.	Upholstery	Base	Lead time	Weight	PRICE EX. STATE TAX
134433A237A020A399	Karakorum 003	Oak	3-5 weeks	15.00 kg	6.300
134434A237A020A399		Walnut	3-5 weeks	15.00 kg	6.750
134433A237A042A745	Sheepskin Moonlight 17mm	Oak	3-5 weeks	15.00 kg	8.325
134434A237A042A745		Walnut	3-5 weeks	15.00 kg	8.775
134433A237A041A738	Sheepskin Honey 50mm	Oak	3-5 weeks	15.00 kg	8.325
134434A237A041A738		Walnut	3-5 weeks	15.00 kg	8.775

Fabric gr.	Upholstery	Base	Lead time	Weight	PRICE EX. STATE TAX
Fabric gr. 1	Grain, Hot Madison, Remix, Re-Wool	Oak	6-8 weeks	15.00 kg	5.400
		Walnut	6-8 weeks	15.00 kg	6.300
Fabric gr. 2	Barnum, Canvas, Fiord	Oak	6-8 weeks	15.00 kg	5.625
		Walnut	6-8 weeks	15.00 kg	6.525
Fabric gr. 3	Hallingdal, Mylla, Steelcut Quartet, Steelcut Trio	Oak	6-8 weeks	15.00 kg	5.850
		Walnut	6-8 weeks	15.00 kg	6.750
Fabric gr. 4	Acca, Cifrado, Ecriture, Vidar	Oak	6-8 weeks	15.00 kg	6.075
		Walnut	6-8 weeks	15.00 kg	6.975
Fabric gr. 5	Gentle, Karakorum, Sisu	Oak	6-8 weeks	15.00 kg	7.200
		Walnut	6-8 weeks	15.00 kg	8.100
Fabric gr. 6		Oak	6-8 weeks	15.00 kg	7.875
		Walnut	6-8 weeks	15.00 kg	8.890
Sheepskin MTO	Sheepskin 17mm, Sheepskin 50mm	Oak	10-12 weeks	15.00 kg	9.440
		Walnut	10-12 weeks	15.00 kg	10.340
COM	Fabric	Oak	6-8 weeks	15.00 kg	5.400
		Walnut	6-8 weeks	15.00 kg	6.300



Made using FSC® certified wood, supporting responsible environmental, social and economical management of the world's forests. Visit www.fsc.org

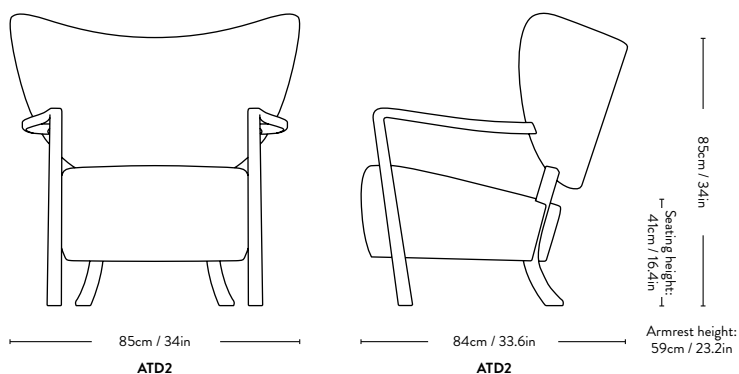
Material: Oiled wood, HR foam, polyester wadding, fabric upholstery.

Fabric usage: 2.5 meters based on a 140cm roll.

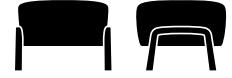
COM must be approved by &Tradition to ensure suitability for upholstery.

Wulff ATD2 is not available in leather.
Felt gliders installed as standard.

As with most natural materials, differences in structure, density and thickness are expected, as two pieces of sheepskin never look identical and tend to show natural variations in both curls and tones.



Wulff^{ATD3} &Tradition 2022



Fabric gr.	Upholstery	Base	Lead time	Weight	PRICE EX. STATE TAX
Fabric gr. 1	Hot Madison, Remix, Re-Wool	Oak	6-8 weeks	6.70 kg	2.025
		Walnut	6-8 weeks	6.70 kg	2.140
Fabric gr. 2	Barnum, Canvas, Fiord	Oak	6-8 weeks	6.70 kg	2.140
		Walnut	6-8 weeks	6.70 kg	2.250
Fabric gr. 3	Hallingdal, Steelcut Quartet, Steelcut Trio	Oak	6-8 weeks	6.70 kg	2.250
		Walnut	6-8 weeks	6.70 kg	2.365
Fabric gr. 4	Acca, Cifrado, Ecriture, Uniform Melange, Vidar	Oak	6-8 weeks	6.70 kg	2.365
		Walnut	6-8 weeks	6.70 kg	2.475
Fabric gr. 5	Karakorum, Sisu	Oak	6-8 weeks	6.70 kg	2.700
		Walnut	6-8 weeks	6.70 kg	2.815
Fabric gr. 6		Oak	6-8 weeks	6.70 kg	2.925
		Walnut	6-8 weeks	6.70 kg	3.150
Sheepskin MTO	Sheepskin 17mm, Sheepskin 50mm	Oak	10-12 weeks	6.70 kg	3.040
		Walnut	10-12 weeks	6.70 kg	3.150
COM	Fabric	Oak	6-8 weeks	6.70 kg	2.025
		Walnut	6-8 weeks	6.70 kg	2.140



Made using FSC® certified wood, supporting responsible environmental, social and economical management of the world's forests. Visit www.fsc.org

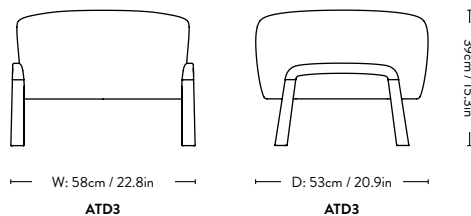
Material: Oiled wood, HR foam, polyester wadding, fabric upholstery.

Fabric usage: 1.3 meters based on a 140cm roll.

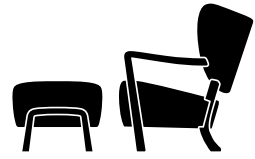
COM must be approved by &Tradition to ensure suitability for upholstery.

Wulff ATD3 is not available in leather.
Felt gliders installed as standard.

As with most natural materials, differences in structure, density and thickness are expected, as two pieces of sheepskin never look identical and tend to show natural variations in both curls and tones.



Wulff ATD2 & ATD3 &Tradition 2022



Product no.	Upholstery	Product code	Base	Lead time	Weight	PRICE EX. STATE TAX
134437A237A020A399	Karakorum 003	ATD2 & ATD3	Oak	6-8 weeks	21.70 kg	8.325
134438A237A020A399		ATD2 & ATD3	Walnut	6-8 weeks	21.70 kg	8.890
134437A237A042A745	Sheepskin Moonlight 17mm	ATD2 & ATD3	Oak	6-8 weeks	21.70 kg	10.690
134438A237A042A745		ATD2 & ATD3	Walnut	6-8 weeks	21.70 kg	11.255
134437A237A041A738	Sheepskin Honey 50mm	ATD2 & ATD3	Oak	6-8 weeks	21.70 kg	10.690
134438A237A041A738		ATD2 & ATD3	Walnut	6-8 weeks	21.70 kg	11.255

Fabric gr.	Upholstery	Product code	Base	Lead time	Weight	PRICE EX. STATE TAX
Fabric gr. 1	Grain, Hot Madison, Remix, Re-Wool	ATD2 & ATD3	Oak	6-8 weeks	21.70 kg	6.750
		ATD2 & ATD3	Walnut	6-8 weeks	21.70 kg	7.765
Fabric gr. 2	Barnum, Canvas, Fiord	ATD2 & ATD3	Oak	6-8 weeks	21.70 kg	7.090
		ATD2 & ATD3	Walnut	6-8 weeks	21.70 kg	8.100
Fabric gr. 3	Hallingdal, Mylla, Steelcut Quartet, Steelcut Trio	ATD2 & ATD3	Oak	6-8 weeks	21.70 kg	7.315
		ATD2 & ATD3	Walnut	6-8 weeks	21.70 kg	8.325
Fabric gr. 4	Acca, Cifrado, Ecriture, Vidar	ATD2 & ATD3	Oak	6-8 weeks	21.70 kg	7.765
		ATD2 & ATD3	Walnut	6-8 weeks	21.70 kg	8.775
Fabric gr. 5	Gentle, Karakorum, Sisu	ATD2 & ATD3	Oak	6-8 weeks	21.70 kg	9.230
		ATD2 & ATD3	Walnut	6-8 weeks	21.70 kg	10.240
Fabric gr. 6		ATD2 & ATD3	Oak	6-8 weeks	21.70 kg	10.130
		ATD2 & ATD3	Walnut	6-8 weeks	21.70 kg	11.365
Sheepskin MTO	Sheepskin 17mm, Sheepskin 50mm	ATD2 & ATD3	Oak	10-12 weeks	21.70 kg	10.690
		ATD2 & ATD3	Walnut	10-12 weeks	21.70 kg	11.255
COM	Fabric	ATD2 & ATD3	Oak	6-8 weeks	21.70 kg	6.750
		ATD2 & ATD3	Walnut	6-8 weeks	21.70 kg	7.765



Made using FSC® certified wood, supporting responsible environmental, social and economical management of the world's forests. Visit www.fsc.org

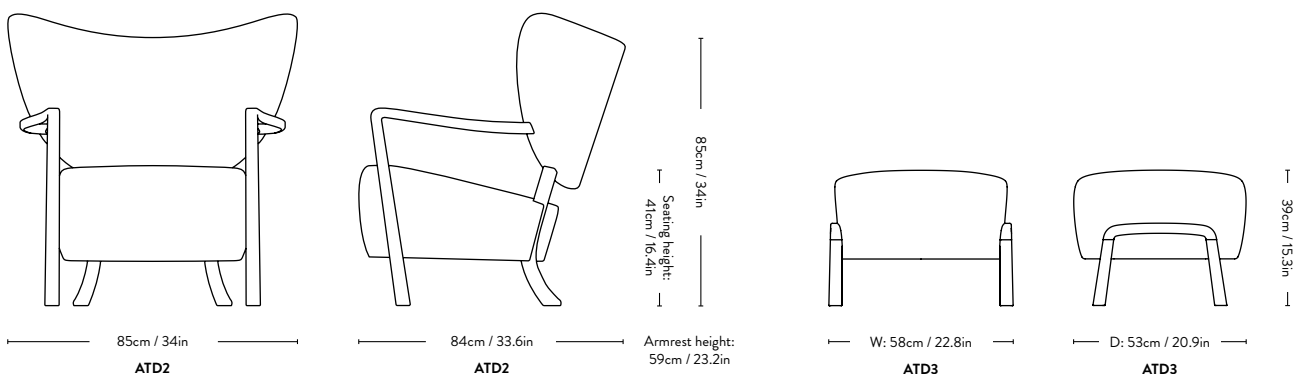
Material: Oiled wood, HR foam, polyester wadding, fabric upholstery.

Fabric usage: 3.8 meters based on a 140cm roll.

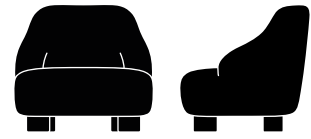
COM must be approved by &Tradition to ensure suitability for upholstery.

Wulff ATD2 & ATD3 are not available in leather.
Felt gliders installed as standard.

As with most natural materials, differences in structure, density and thickness are expected, as two pieces of sheepskin never look identical and tend to show natural variations in both curls and tones.



Margas LC1 Liljencrantz 2022



Product no.	Upholstery	Base	Lead time	Weight	PRICE EX. STATE TAX
134439A237A020A398	Karakorum 001	Black Oak	3-5 weeks	26.00 kg	4.725
134440A237A020A398		Oak	3-5 weeks	26.00 kg	4.725
134441A237A020A398		Walnut	3-5 weeks	26.00 kg	5.400
134439A237A040A731	Sheepskin 08 Sahara	Black Oak	3-5 weeks	26.00 kg	9.680
134440A237A040A731		Oak	3-5 weeks	26.00 kg	9.680
134441A237A040A731		Walnut	3-5 weeks	26.00 kg	10.355
134439A237A042A745	Sheepskin 09 Moonlight	Black Oak	3-5 weeks	26.00 kg	9.680
134440A237A042A745		Oak	3-5 weeks	26.00 kg	9.680
134441A237A042A745		Walnut	3-5 weeks	26.00 kg	10.355

Fabric gr.	Upholstery	Base	Lead time	Weight	PRICE EX. STATE TAX
Fabric gr. 1	Grain, Hot Madison, Remix, Re-Wool	Black Oak, Oak	6-8 weeks	26.00 kg	3.825
		Walnut	6-8 weeks	26.00 kg	4.500
Fabric gr. 2	Barnum, Canvas, Fiord	Black Oak, Oak	6-8 weeks	26.00 kg	4.275
		Walnut	6-8 weeks	26.00 kg	4.950
Fabric gr. 3	Hallingdal, Mylla, Steelcut Quartet, Steelcut Trio	Black Oak, Oak	6-8 weeks	26.00 kg	4.390
		Walnut	6-8 weeks	26.00 kg	5.065
Fabric gr. 4	Acca, Cifrado, Ecriture, Vidar	Black Oak, Oak	6-8 weeks	26.00 kg	4.500
		Walnut	6-8 weeks	26.00 kg	5.175
Fabric gr. 5	Gentle, Karakorum, Sisu	Black Oak, Oak	6-8 weeks	26.00 kg	5.400
		Walnut	6-8 weeks	26.00 kg	6.075
Fabric gr. 6		Black Oak, Oak	6-8 weeks	26.00 kg	5.965
		Walnut	6-8 weeks	26.00 kg	6.750
COM	Fabric	Black Oak, Oak	6-8 weeks	26.00 kg	3.825
		Walnut	6-8 weeks	26.00 kg	4.500



Made using FSC® certified wood, supporting responsible environmental, social and economical management of the world's forests. Visit www.fsc.org

Material: Wood, HR foam, polyester wadding, fabric upholstery.

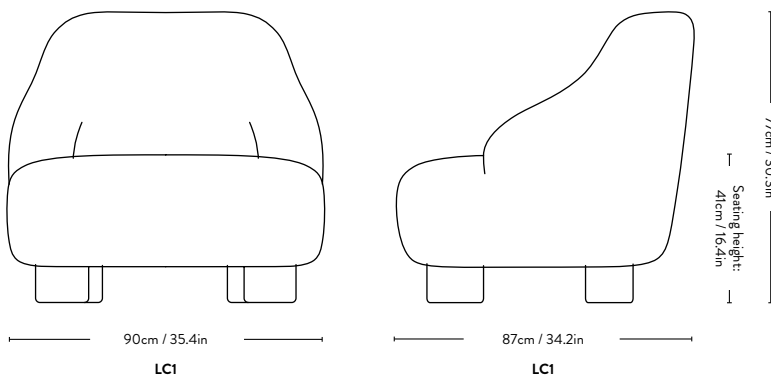
Legs: Black water based lacquered Oak, Oiled Oak or Oiled Walnut

Fabric usage: 2.8 meters based on a 140cm roll.

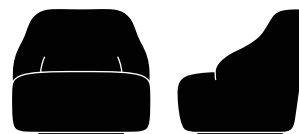
COM must be approved by &Tradition to ensure suitability for upholstery.

Margas LC1 is not available in leather.

Felt gliders installed as standard.



Margas LC2 Liljencrantz 2022



Product no.	Upholstery	Base	Lead time	Weight	PRICE EX. STATE TAX
134442A237A020A398	Karakorum 001	Black Swivel	3-5 weeks	32.00 kg	4.725
134442A237A040A731	Sheepskin 08 Sahara	Black Swivel	3-5 weeks	32.00 kg	9.680
134442A237A042A745	Sheepskin 09 Moonlight	Black Swivel	3-5 weeks	32.00 kg	9.680

Fabric gr.	Upholstery	Base	Lead time	Weight	PRICE EX. STATE TAX
Fabric gr. 1	Grain, Hot Madison, Remix, Re-Wool	Black Swivel	6-8 weeks	32.00 kg	3.825
Fabric gr. 2	Barnum, Canvas, Fiord	Black Swivel	6-8 weeks	32.00 kg	4.275
Fabric gr. 3	Hallingdal, Mylla, Steelcut Quartet, Steelcut Trio	Black Swivel	6-8 weeks	32.00 kg	4.390
Fabric gr. 4	Acca, Cifrado, Ecriture, Vidar	Black Swivel	6-8 weeks	32.00 kg	4.500
Fabric gr. 5	Gentle, Karakorum, Sisu	Black Swivel	6-8 weeks	32.00 kg	5.400
Fabric gr. 6		Black Swivel	6-8 weeks	32.00 kg	5.965
COM	Fabric	Black Swivel	6-8 weeks	32.00 kg	3.825



Made using FSC® certified wood, supporting responsible environmental, social and economical management of the world's forests. Visit www.fsc.org

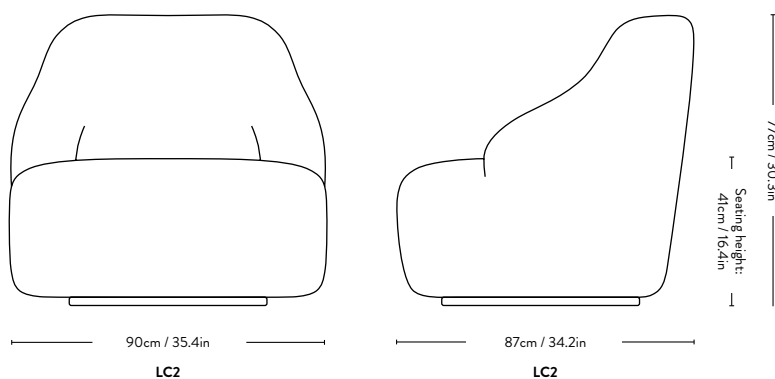
Material: Wood, HR foam, polyester wadding, fabric upholstery.

Fabric usage: 2.8 meters based on a 140cm roll.

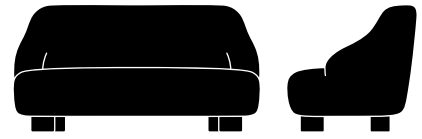
COM must be approved by &Tradition to ensure suitability for upholstery.

Margas LC2 is not available in leather.

Felt gliders installed as standard.
Swivel w. return function.



Margas LC3 Liljencrantz 2022



Product no.	Upholstery	Base	Lead time	Weight	PRICE EX. STATE TAX
134443A237A020A398	Karakorum 001	Black Oak	3-5 weeks	38.00 kg	6.525
134444A237A020A398		Oak	3-5 weeks	38.00 kg	6.525
134445A237A020A398		Walnut	3-5 weeks	38.00 kg	7.200

Fabric gr.	Upholstery	Base	Lead time	Weight	PRICE EX. STATE TAX
Fabric gr. 1	Grain, Hot Madison, Remix, Re-Wool	Black Oak, Oak	6-8 weeks	38.00 kg	5.175
		Walnut	6-8 weeks	38.00 kg	5.850
Fabric gr. 2	Barnum, Canvas, Fiord	Black Oak, Oak	6-8 weeks	38.00 kg	5.850
		Walnut	6-8 weeks	38.00 kg	6.525
Fabric gr. 3	Hallingdal, Mylla, Steelcut Quartet, Steelcut Trio	Black Oak, Oak	6-8 weeks	38.00 kg	6.075
		Walnut	6-8 weeks	38.00 kg	6.750
Fabric gr. 4	Acca, Cifrado, Ecriture, Vidar	Black Oak, Oak	6-8 weeks	38.00 kg	6.300
		Walnut	6-8 weeks	38.00 kg	6.975
Fabric gr. 5	Gentle, Karakorum, Sisu	Black Oak, Oak	6-8 weeks	38.00 kg	7.200
		Walnut	6-8 weeks	38.00 kg	7.875
Fabric gr. 6		Black Oak, Oak	6-8 weeks	38.00 kg	7.875
		Walnut	6-8 weeks	38.00 kg	8.665
COM	Fabric	Black Oak, Oak	6-8 weeks	38.00 kg	5.175
		Walnut	6-8 weeks	38.00 kg	5.850



Made using FSC® certified wood, supporting responsible environmental, social and economical management of the world's forests. Visit www.fsc.org

Material: Wood, HR foam, polyester wadding, fabric upholstery.

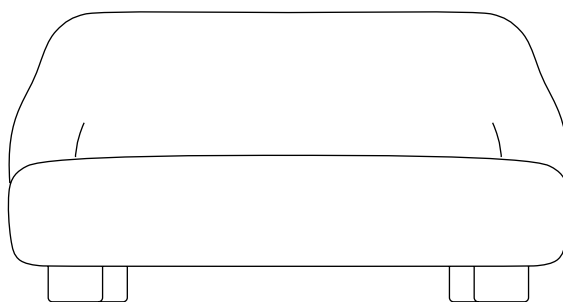
Legs: Black water based lacquered Oak, Oiled Oak or Oiled Walnut

Fabric usage: 4.2 meters based on a 140cm roll.

COM must be approved by &Tradition to ensure suitability for upholstery.

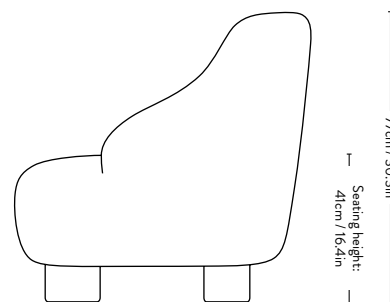
Margas LC3 is not available in leather.

Felt gliders installed as standard.



160cm / 62.9in

LC3

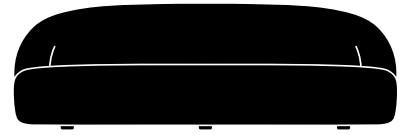


87cm / 34.2in

LC3

77cm / 30.3in
Seating height:
41cm / 16.4in

Margas LC4 Liljencrantz 2024



Product no.	Upholstery	Lead time	Weight	PRICE EX. STATE TAX
137189A237A020A398	Karakorum 001	3-5 weeks	72.00 kg	9.230
137189A237A040A731	Sheepskin 08 Sahara	3-5 weeks	72.00 kg	20.255
137189A237A042A745	Sheepskin 09 Moonlight	3-5 weeks	72.00 kg	20.255

Fabric gr.	Upholstery	Lead time	Weight	PRICE EX. STATE TAX
Fabric gr. 1	Grain, Hot Madison, Remix, Re-Wool	6-8 weeks	72.00 kg	7.875
Fabric gr. 2	Barnum, Canvas, Fiord	6-8 weeks	72.00 kg	8.325
Fabric gr. 3	Hallingdal, Mylla, Steelcut Quartet, Steelcut Trio	6-8 weeks	72.00 kg	8.550
Fabric gr. 4	Acca, Cifrado, Ecriture, Vidar	6-8 weeks	72.00 kg	9.230
Fabric gr. 5	Gentle, Karakorum, Sisu	6-8 weeks	72.00 kg	10.130
Fabric gr. 6		6-8 weeks	72.00 kg	11.930
COM	Fabric	6-8 weeks	72.00 kg	7.875



Made using FSC® certified wood, supporting responsible environmental, social and economical management of the world's forests. Visit www.fsc.org

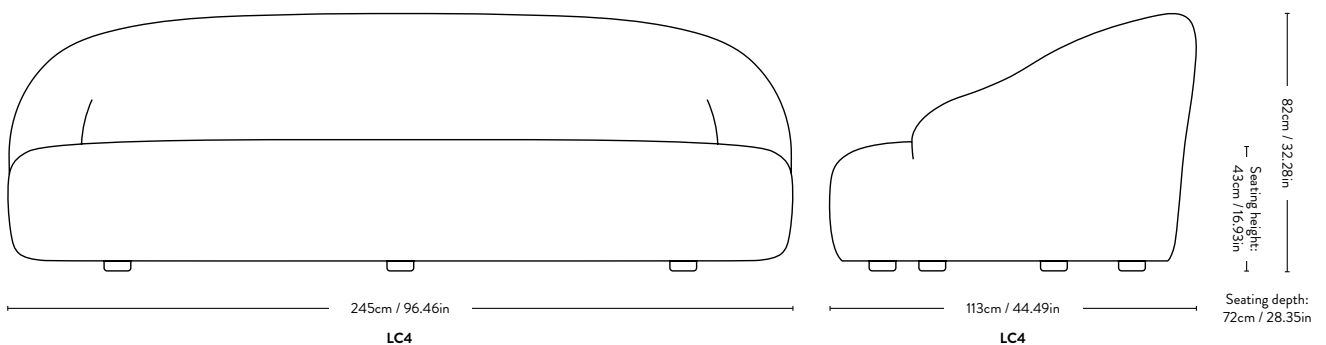
Material: Wood, HR foam, polyester wadding, fabric upholstery.

Fabric usage: 8 meters based on 140cm roll.

COM must be approved by &Tradition to ensure suitability for upholstery.

Margas LC4 is not available in leather.

Felt gliders installed as standard.



Margas LC5 Liljencrantz 2024



Product no.	Upholstery	Lead time	Weight	PRICE EX. STATE TAX
137190A237A040A731	Sheepskin 08 Sahara	3-5 weeks	13.50kg	4.500
137190A237A042A745	Sheepskin 09 Moonlight	3-5 weeks	13.50kg	4.500

Fabric gr.	Upholstery	Lead time	Weight	PRICE EX. STATE TAX
Fabric gr. 1	Grain, Hot Madison, Remix, Re-Wool	6-8 weeks	13.50 kg	1.690
Fabric gr. 2	Barnum, Canvas, Fiord	6-8 weeks	13.50 kg	1.980
Fabric gr. 3	Hallingdal, Mylla, Steelcut Quartet, Steelcut Trio	6-8 weeks	13.50 kg	2.025
Fabric gr. 4	Acca, Cifrado, Ecriture, Vidar	6-8 weeks	13.50 kg	2.320
Fabric gr. 5	Gentle, Karakorum, Sisu	6-8 weeks	13.50 kg	2.475
Fabric gr. 6		6-8 weeks	13.50 kg	3.040
COM	Fabric	6-8 weeks	13.50 kg	1.690



Made using FSC® certified wood, supporting responsible environmental, social and economical management of the world's forests. Visit www.fsc.org

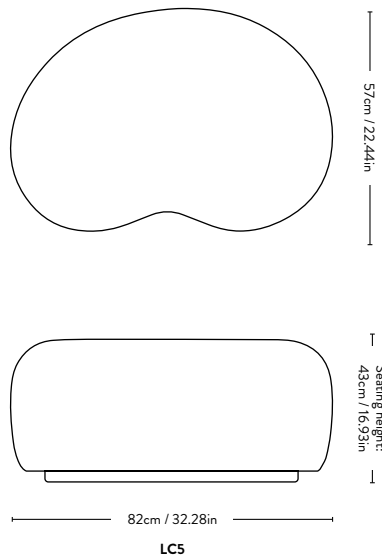
Material: Wood, HR foam, polyester wadding, fabric upholstery.

Fabric usage: 1.8 meters based on 140cm roll.

COM must be approved by &Tradition to ensure suitability for upholstery.

Margas LC5 is not available in leather.

Felt gliders installed as standard.



Meantime AV29 Anderssen & Voll 2025



Fabric gr.	Upholstery	Base	Lead time	Weight	PRICE EX. STATE TAX
Fabric gr. 1	Grain, Hot Madison, Remix, Re-wool	Warm Black, Polished Aluminum	6-8 weeks	25.00 kg	4.050
Fabric gr. 2	Barnum, Canvas, Fiord	Warm Black, Polished Aluminum	6-8 weeks	25.00 kg	4.500
Fabric gr. 3	Hallingdal, Mylla, Steelcut Quartet, Steelcut Trio	Warm Black, Polished Aluminum	6-8 weeks	25.00 kg	4.615
Fabric gr. 4	Acca, Beda, Cifrado, Ecriture, Vidar	Warm Black, Polished Aluminum	6-8 weeks	25.00 kg	5.175
Fabric gr. 5	Gentle, Karakorum, Sisu	Warm Black, Polished Aluminum	6-8 weeks	25.00 kg	6.075
Fabric gr. 6	Fuse	Warm Black, Polished Aluminum	6-8 weeks	25.00 kg	6.750
Leather	Noble Aniline leather	Warm Black, Polished Aluminum	6-8 weeks	25.00 kg	6.750
Leather	Elmosoft Semi-aniline leather	Warm Black, Polished Aluminum	6-8 weeks	25.00 kg	7.200
COM	Fabric	Warm Black, Polished Aluminum	6-8 weeks	25.00 kg	4.050

Product no.	Product	Variant	Lead time	PRICE EX. STATE TAX
145307	Plastic gliders for Drawn, Elefy w. wood base, Rely w. tube (ex. stacking) & wood base, Muno, and Meantime , 4 pcs	Black	Stock item	20
145308	Felt gliders for Drawn, Elefy w. wood base, Rely w. tube (ex. stacking) & wood base, Muno, and Meantime Lounge Chairs, 4 pcs	Black	Stock item	20



Made using FSC® certified wood, supporting responsible environmental, social and economical management of the world's forests. Visit www.fsc.org

Material: Plywood frame, HR foam, polyester wadding, polished or powder-coated aluminium. Fabric or leather upholstery.

Fabric usage: 3.4 meters based on 140 cm roll

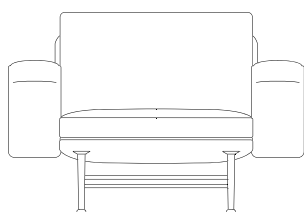
Leather usage: 7.3 square meters based on a yield of 60% pr hide.

COM must be approved by &Tradition to ensure suitability for upholstery.

Plastic gliders installed as standard.

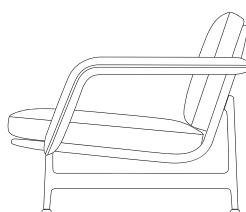
Felt gliders available upon request.

Armrest width:
19cm / 7.5in



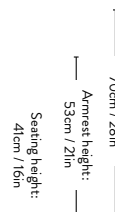
105cm / 41in

AV29



85cm / 33in

AV29



70cm / 28in
Armrest height:
53cm / 21in
Seating height:
41cm / 16in

Seating depth:
56cm / 22in

Meantime AV30

Anderssen & Voll

2025



Fabric gr.	Upholstery	Base	Lead time	Weight	PRICE EX. STATE TAX
Fabric gr. 1	Grain, Hot Madison, Remix, Re-wool	Warm Black, Polished Aluminum	6-8 weeks	40.00 kg	5.625
Fabric gr. 2	Barnum, Canvas, Fiord	Warm Black, Polished Aluminum	6-8 weeks	40.00 kg	6.075
Fabric gr. 3	Hallingdal, Mylla, Steelcut Quartet, Steelcut Trio	Warm Black, Polished Aluminum	6-8 weeks	40.00 kg	6.300
Fabric gr. 4	Acca, Beda, Cifrado, Ecriture, Vidar	Warm Black, Polished Aluminum	6-8 weeks	40.00 kg	6.750
Fabric gr. 5	Gentle, Karakorum, Sisu	Warm Black, Polished Aluminum	6-8 weeks	40.00 kg	8.550
Fabric gr. 6	Fuse	Warm Black, Polished Aluminum	6-8 weeks	40.00 kg	9.680
Leather	Noble Aniline leather	Warm Black, Polished Aluminum	6-8 weeks	40.00 kg	9.005
Leather	Elmosoft Semi-aniline leather	Warm Black, Polished Aluminum	6-8 weeks	40.00 kg	10.130
COM	Fabric	Warm Black, Polished Aluminum	6-8 weeks	40.00 kg	5.625

Product no.	Product	Variant	Lead time	PRICE EX. STATE TAX
145307	Plastic gliders for Drawn, Elefy w. wood base, Rely w. tube (ex. stacking) & wood base, Muno, and Meantime , 4 pcs	Black	Stock item	20
145308	Felt gliders for Drawn, Elefy w. wood base, Rely w. tube (ex. stacking) & wood base, Muno, and Meantime Lounge Chairs, 4 pcs	Black	Stock item	20



Made using FSC® certified wood, supporting responsible environmental, social and economical management of the world's forests. Visit www.fsc.org

Material: Plywood frame, HR foam, polyester wadding, polished or powder-coated aluminium. Fabric or leather upholstery.

Fabric usage: 6.8 meters based on 140 cm roll

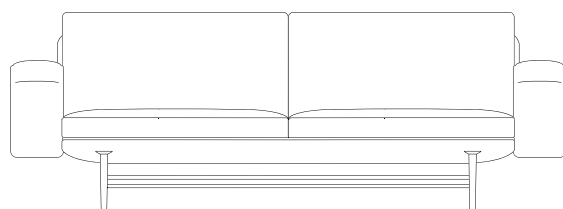
Leather usage: 14 square meters based on a yield of 60% pr hide.

COM must be approved by &Tradition to ensure suitability for upholstery.

Plastic gliders installed as standard.

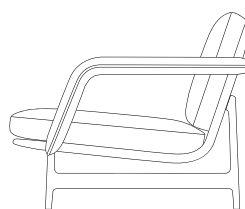
Felt gliders available upon request.

Armrest width:
19cm / 7.5in



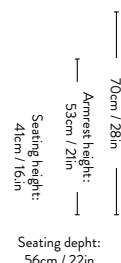
194cm / 76in

AV30



85cm / 33in

AV30



70cm / 28in
Armrest height:
53cm / 21in
Seating height:
41cm / 16in

Seating depth:
56cm / 22in

Meantime AV31 Anderssen & Voll 2025



Fabric gr.	Upholstery	Base	Lead time	Weight	PRICE EX. STATE TAX
Fabric gr. 1	Grain, Hot Madison, Remix, Re-wool	Warm Black, Polished Aluminum	6-8 weeks	50.00 kg	6.750
Fabric gr. 2	Barnum, Canvas, Fiord	Warm Black, Polished Aluminum	6-8 weeks	50.00 kg	7.200
Fabric gr. 3	Hallingdal, Mylla, Steelcut Quartet, Steelcut Trio	Warm Black, Polished Aluminum	6-8 weeks	50.00 kg	7.425
Fabric gr. 4	Acca, Beda, Cifrado, Ecriture, Vidar	Warm Black, Polished Aluminum	6-8 weeks	50.00 kg	7.875
Fabric gr. 5	Gentle, Karakorum, Sisu	Warm Black, Polished Aluminum	6-8 weeks	50.00 kg	9.680
Fabric gr. 6	Fuse	Warm Black, Polished Aluminum	6-8 weeks	50.00 kg	11.255
Leather	Noble Aniline leather	Warm Black, Polished Aluminum	6-8 weeks	50.00 kg	10.130
Leather	Elmosoft Semi-aniline leather	Warm Black, Polished Aluminum	6-8 weeks	50.00 kg	11.255
COM	Fabric	Warm Black, Polished Aluminum	6-8 weeks	50.00 kg	6.750

Product no.	Product	Variant	Lead time	PRICE EX. STATE TAX
145307	Plastic gliders for Drawn, Elefy w. wood base, Rely w. tube (ex. stacking) & wood base, Muno, and Meantime , 4 pcs	Black	Stock item	20
145308	Felt gliders for Drawn, Elefy w. wood base, Rely w. tube (ex. stacking) & wood base, Muno, and Meantime Lounge Chairs, 4 pcs	Black	Stock item	20



Made using FSC® certified wood, supporting responsible environmental, social and economical management of the world's forests. Visit www.fsc.org

Material: Plywood frame, HR foam, polyester wadding, polished or powder-coated aluminium. Fabric or leather upholstery.

Fabric usage: 7.2 meters based on 140 cm roll

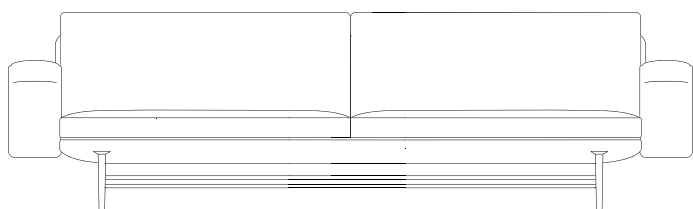
Leather usage: 15 square meters based on a yield of 60% pr hide.

COM must be approved by &Tradition to ensure suitability for upholstery.

Plastic gliders installed as standard.

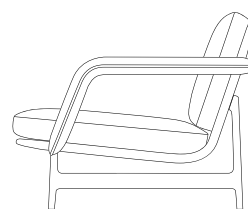
Felt gliders available upon request.

Armrest width:
19cm / 7.5in



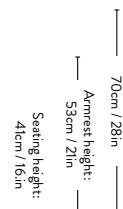
237cm / 93in

AV31



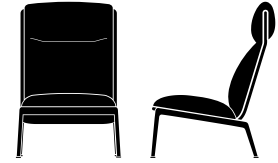
85cm / 33in

AV31



Seating depth:
56cm / 22in

Muno LN16 Luca Nichetto 2025



Fabric gr.	Upholstery	Base	Lead time	Weight	PRICE EX. STATE TAX
Fabric gr. 1	Grain, Hot Madison, Remix, Re-wool	Warm Black, Dark Chrome	6-8 weeks	18.00 kg	3.265
Fabric gr. 2	Barnum, Canvas, Fiord	Warm Black, Dark Chrome	6-8 weeks	18.00 kg	3.600
Fabric gr. 3	Hallingdal, Mylla, Steelcut Quartet, Steelcut Trio	Warm Black, Dark Chrome	6-8 weeks	18.00 kg	3.715
Fabric gr. 4	Acca, Beda, Cifrado, Ecriture, Vidar	Warm Black, Dark Chrome	6-8 weeks	18.00 kg	4.165
Fabric gr. 5	Gentle, Karakorum, Sisu	Warm Black, Dark Chrome	6-8 weeks	18.00 kg	4.500
Fabric gr. 6	Fuse	Warm Black, Dark Chrome	6-8 weeks	18.00 kg	5.625
Leather	Noble Aniline leather	Warm Black, Dark Chrome	6-8 weeks	18.00 kg	5.625
Leather	Elmosoft Semi-aniline leather	Warm Black, Dark Chrome	6-8 weeks	18.00 kg	5.965
COM	Fabric	Warm Black, Dark Chrome	6-8 weeks	18.00 kg	3.265

Product no.	Product	Variant	Lead time	PRICE EX. STATE TAX
145307	Plastic gliders for Drawn, Elefy w. wood base, Rely w. tube (ex. stacking) & wood base, Muno, and Meantime , 4 pcs	Black	Stock item	20
145308	Felt gliders for Drawn, Elefy w. wood base, Rely w. tube (ex. stacking) & wood base, Muno, and Meantime Lounge Chairs, 4 pcs	Black	Stock item	20



Made using FSC® certified wood, supporting responsible environmental, social and economical management of the world's forests. Visit www.fsc.org

Material: Plywood frame, HR foam, polyester wadding, polished or powder-coated aluminium. Fabric or leather upholstery.

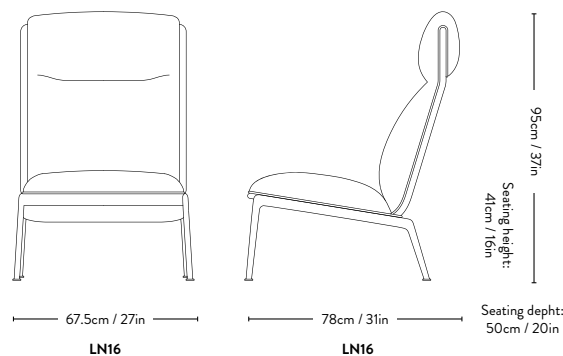
Fabric usage: 7.2 meters based on 140 cm roll

Leather usage: 15 square meters based on a yield of 60% pr hide.

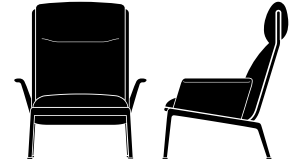
COM must be approved by &Tradition to ensure suitability for upholstery.

Plastic gliders installed as standard.

Felt gliders available upon request.



Muno ^{LN17} Luca Nichetto 2025



Fabric gr.	Upholstery	Base	Lead time	Weight	PRICE EX. STATE TAX
Fabric gr. 1	Grain, Hot Madison, Remix, Re-wool	Warm Black, Dark Chrome	6-8 weeks	20.00 kg	3.825
Fabric gr. 2	Barnum, Canvas, Fiord	Warm Black, Dark Chrome	6-8 weeks	20.00 kg	4.165
Fabric gr. 3	Hallingdal, Mylla, Steelcut Quartet, Steelcut Trio	Warm Black, Dark Chrome	6-8 weeks	20.00 kg	4.615
Fabric gr. 4	Acca, Beda, Cifrado, Ecriture, Vidar	Warm Black, Dark Chrome	6-8 weeks	20.00 kg	4.950
Fabric gr. 5	Gentle, Karakorum, Sisu	Warm Black, Dark Chrome	6-8 weeks	20.00 kg	5.290
Fabric gr. 6	Fuse	Warm Black, Dark Chrome	6-8 weeks	20.00 kg	6.525
Leather	Noble Aniline leather	Warm Black, Dark Chrome	6-8 weeks	20.00 kg	6.525
Leather	Elmosoft Semi-aniline leather	Warm Black, Dark Chrome	6-8 weeks	20.00 kg	6.865
COM	Fabric	Warm Black, Dark Chrome	6-8 weeks	20.00 kg	3.825

Product no.	Product	Variant	Lead time	PRICE EX. STATE TAX
145307	Plastic gliders for Drawn, Elefy w. wood base, Rely w. tube (ex. stacking) & wood base, Muno, and Meantime , 4 pcs	Black	Stock item	20
145308	Felt gliders for Drawn, Elefy w. wood base, Rely w. tube (ex. stacking) & wood base, Muno, and Meantime Lounge Chairs, 4 pcs	Black	Stock item	20



Made using FSC® certified wood, supporting responsible environmental, social and economical management of the world's forests. Visit www.fsc.org

Material: Plywood frame, HR foam, polyester wadding, polished or powder-coated aluminium. Fabric or leather upholstery.

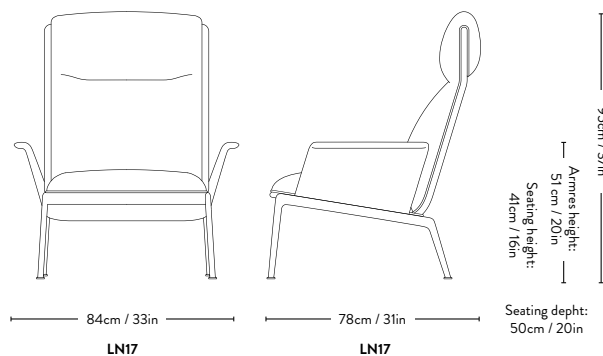
Fabric usage: 4.5 meters based on 140 cm roll

Leather usage: 9 square meters based on a yield of 60% pr hide.

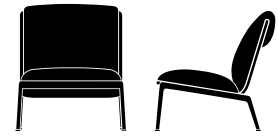
COM must be approved by &Tradition to ensure suitability for upholstery.

Plastic gliders installed as standard.

Felt gliders available upon request.



Muno LN18 Luca Nichetto 2025



Fabric gr.	Upholstery	Base	Lead time	Weight	PRICE EX. STATE TAX
Fabric gr. 1	Grain, Hot Madison, Remix, Re-wool	Warm Black, Dark Chrome	6-8 weeks	16.00 kg	2.925
Fabric gr. 2	Barnum, Canvas, Fiord	Warm Black, Dark Chrome	6-8 weeks	16.00 kg	3.150
Fabric gr. 3	Hallingdal, Mylla, Steelcut Quartet, Steelcut Trio	Warm Black, Dark Chrome	6-8 weeks	16.00 kg	3.265
Fabric gr. 4	Acca, Beda, Cifrado, Ecriture, Vidar	Warm Black, Dark Chrome	6-8 weeks	16.00 kg	3.715
Fabric gr. 5	Gentle, Karakorum, Sisu	Warm Black, Dark Chrome	6-8 weeks	16.00 kg	3.940
Fabric gr. 6	Fuse	Warm Black, Dark Chrome	6-8 weeks	16.00 kg	5.625
Leather	Noble Aniline leather	Warm Black, Dark Chrome	6-8 weeks	16.00 kg	4.950
Leather	Elmosoft Semi-aniline leather	Warm Black, Dark Chrome	6-8 weeks	16.00 kg	5.290
COM	Fabric	Warm Black, Dark Chrome	6-8 weeks	16.00 kg	2.925

Product no.	Product	Variant	Lead time	PRICE EX. STATE TAX
145307	Plastic gliders for Drawn, Elefy w. wood base, Rely w. tube (ex. stacking) & wood base, Muno, and Meantime , 4 pcs	Black	Stock item	20
145308	Felt gliders for Drawn, Elefy w. wood base, Rely w. tube (ex. stacking) & wood base, Muno, and Meantime Lounge Chairs, 4 pcs	Black	Stock item	20



Made using FSC® certified wood, supporting responsible environmental, social and economical management of the world's forests. Visit www.fsc.org

Material: Plywood frame, HR foam, polyester wadding, polished or powder-coated aluminium. Fabric or leather upholstery.

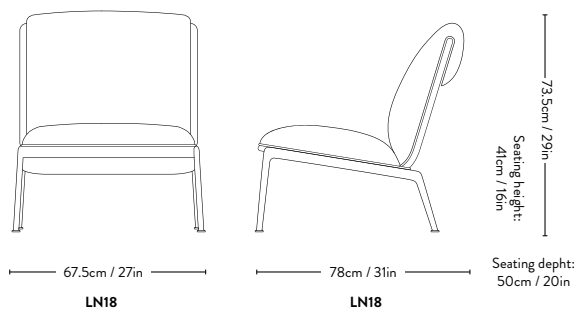
Fabric usage: 3.4 meters based on 140 cm roll

Leather usage: 7 square meters based on a yield of 60% pr hide.

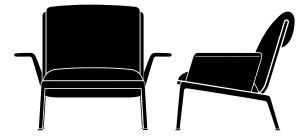
COM must be approved by &Tradition to ensure suitability for upholstery.

Plastic gliders installed as standard.

Felt gliders available upon request.



Muno ^{LN19} Luca Nichetto 2025



Fabric gr.	Upholstery	Base	Lead time	Weight	PRICE EX. STATE TAX
Fabric gr. 1	Grain, Hot Madison, Remix, Re-wool	Warm Black, Dark Chrome	6-8 weeks	18.00 kg	3.490
Fabric gr. 2	Barnum, Canvas, Fiord	Warm Black, Dark Chrome	6-8 weeks	18.00 kg	3.715
Fabric gr. 3	Hallingdal, Mylla, Steelcut Quartet, Steelcut Trio	Warm Black, Dark Chrome	6-8 weeks	18.00 kg	3.825
Fabric gr. 4	Acca, Beda, Cifrado, Ecriture, Vidar	Warm Black, Dark Chrome	6-8 weeks	18.00 kg	4.390
Fabric gr. 5	Gentle, Karakorum, Sisu	Warm Black, Dark Chrome	6-8 weeks	18.00 kg	4.840
Fabric gr. 6	Fuse	Warm Black, Dark Chrome	6-8 weeks	18.00 kg	5.850
Leather	Noble Aniline leather	Warm Black, Dark Chrome	6-8 weeks	18.00 kg	5.625
Leather	Elmosoft Semi-aniline leather	Warm Black, Dark Chrome	6-8 weeks	18.00 kg	6.075
COM	Fabric	Warm Black, Dark Chrome	6-8 weeks	18.00 kg	3.490

Product no.	Product	Variant	Lead time	PRICE EX. STATE TAX
145307	Plastic gliders for Drawn, Elefy w. wood base, Rely w. tube (ex. stacking) & wood base, Muno, and Meantime , 4 pcs	Black	Stock item	20
145308	Felt gliders for Drawn, Elefy w. wood base, Rely w. tube (ex. stacking) & wood base, Muno, and Meantime Lounge Chairs, 4 pcs	Black	Stock item	20



Made using FSC® certified wood, supporting responsible environmental, social and economical management of the world's forests. Visit www.fsc.org

Material: Plywood frame, HR foam, polyester wadding, polished or powder-coated aluminium. Fabric or leather upholstery.

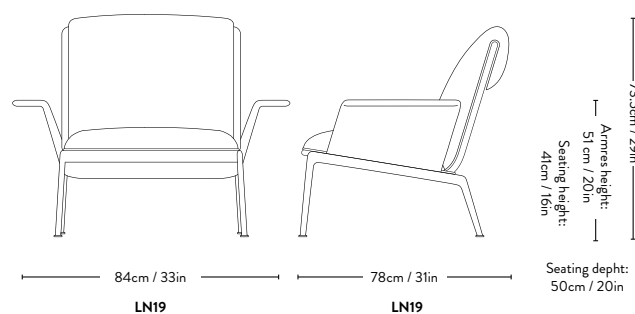
Fabric usage: 4 meters based on 140 cm roll

Leather usage: 8.2 square meters based on a yield of 60% pr hide.

COM must be approved by &Tradition to ensure suitability for upholstery.

Plastic gliders installed as standard.

Felt gliders available upon request.



Muno LN20

Luca Nichetto

2025



Fabric gr.	Upholstery	Base	Lead time	Weight	PRICE EX. STATE TAX
Fabric gr. 1	Grain, Hot Madison, Remix, Re-wool	Warm Black, Dark Chrome	6-8 weeks	10.00 kg	1.575
Fabric gr. 2	Barnum, Canvas, Fiord	Warm Black, Dark Chrome	6-8 weeks	10.00 kg	1.800
Fabric gr. 3	Hallingdal, Mylla, Steelcut Quartet, Steelcut Trio	Warm Black, Dark Chrome	6-8 weeks	10.00 kg	1.870
Fabric gr. 4	Acca, Beda, Cifrado, Ecriture, Vidar	Warm Black, Dark Chrome	6-8 weeks	10.00 kg	2.095
Fabric gr. 5	Gentle, Karakorum, Sisu	Warm Black, Dark Chrome	6-8 weeks	10.00 kg	2.250
Fabric gr. 6	Fuse	Warm Black, Dark Chrome	6-8 weeks	10.00 kg	2.700
Leather	Noble Aniline leather	Warm Black, Dark Chrome	6-8 weeks	10.00 kg	2.700
Leather	Elmosoft Semi-aniline leather	Warm Black, Dark Chrome	6-8 weeks	10.00 kg	2.925
COM	Fabric	Warm Black, Dark Chrome	6-8 weeks	10.00 kg	1.575

Product no.	Product	Variant	Lead time	PRICE EX. STATE TAX
145307	Plastic gliders for Drawn, Elefy w. wood base, Rely w. tube (ex. stacking) & wood base, Muno, and Meantime , 4 pcs	Black	Stock item	20
145308	Felt gliders for Drawn, Elefy w. wood base, Rely w. tube (ex. stacking) & wood base, Muno, and Meantime Lounge Chairs, 4 pcs	Black	Stock item	20



Made using FSC® certified wood, supporting responsible environmental, social and economical management of the world's forests. Visit www.fsc.org

Material: Plywood frame, HR foam, polyester wadding, polished or powder-coated aluminium. Fabric or leather upholstery.

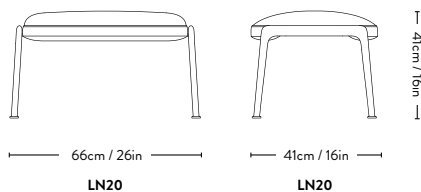
Fabric usage: 1.6 meters based on 140 cm roll

Leather usage: 3 square meters based on a yield of 60% pr hide.

COM must be approved by &Tradition to ensure suitability for upholstery.

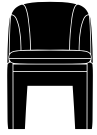
Plastic gliders installed as standard.

Felt gliders available upon request.



Loafer SC106

Space Copenhagen 2025



Fabric gr.	Upholstery	Lead time	Weight	PRICE EX. STATE TAX
Fabric gr. 1	Grain, Hot Madison, Remix, Re-Wool	6-8 weeks	13.35 kg	2.140
Fabric gr. 2	Barnum, Canvas, Fiord	6-8 weeks	13.35 kg	2.385
Fabric gr. 3	Hallingdal, Mylla, Steelcut Quartet, Steelcut Trio	6-8 weeks	13.35 kg	2.590
Fabric gr. 4	Acca, Beda, Cifrado, Ecriture, Vidar	6-8 weeks	13.35 kg	2.925
Fabric gr. 5	Gentle, Karakorum, Sisu	6-8 weeks	13.35 kg	3.150
Fabric gr. 6	Fuse	6-8 weeks	13.35 kg	3.825
COM	Fabric	6-8 weeks	13.35 kg	2.140



Made using FSC® certified wood, supporting responsible environmental, social and economical management of the world's forests. Visit www.fsc.org

Material: Wood, HR foam, polyester wadding, fabric upholstery.

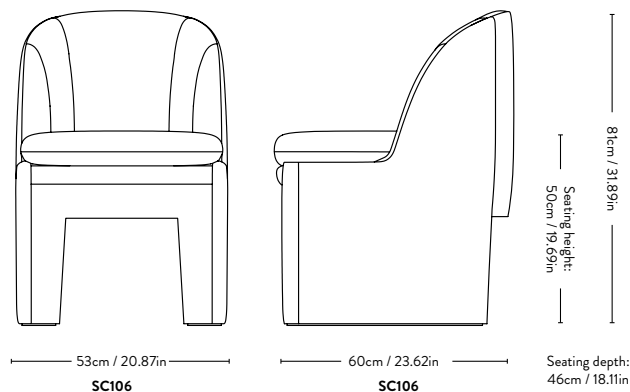
Fabric usage: 2.5 meters based on 140cm roll.

COM must be approved by &Tradition to ensure suitability for upholstery.

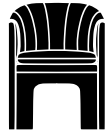
Loafer SC106 is not available in leather.

Plastic gliders installed as standard.
Felt gliders available upon request.

Illusion and Illusion
Grain (P/Us) = Gr. 4



Loafer SC24 Space Copenhagen 2019



Fabric gr.	Upholstery	Lead time	Weight	PRICE EX. STATE TAX
Fabric gr. 1	Grain, Hot Madison, Remix, Re-Wool	6-8 weeks	15.50 kg	2.365
Fabric gr. 2	Barnum, Canvas, Fiord	6-8 weeks	15.50 kg	2.590
Fabric gr. 3	Hallingdal, Mylla, Steelcut Quartet, Steelcut Trio	6-8 weeks	15.50 kg	2.700
Fabric gr. 4	Acca, Beda, Cifrado, Ecriture, Vidar	6-8 weeks	15.50 kg	3.040
Fabric gr. 5	Gentle, Karakorum, Sisu	6-8 weeks	15.50 kg	3.715
Fabric gr. 6	Fuse	6-8 weeks	15.50 kg	4.050
COM	Fabric	6-8 weeks	15.50 kg	2.365



Made using FSC® certified wood, supporting responsible environmental, social and economical management of the world's forests. Visit www.fsc.org

Material: Wood, HR foam, polyester wadding, fabric upholstery.

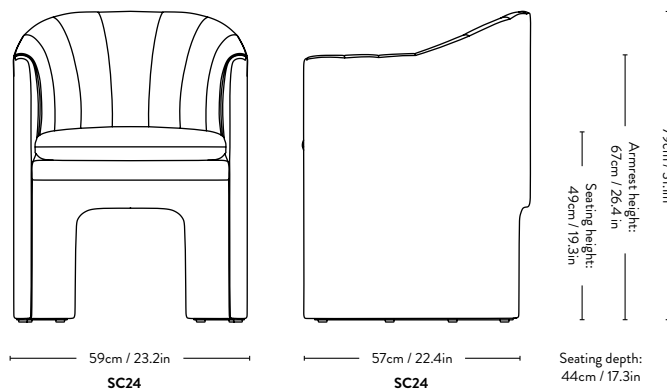
Fabric usage: 2.7 meters based on 140cm roll.

COM must be approved by &Tradition to ensure suitability for upholstery.

Loafer SC24 is not available in leather.

Plastic gliders installed as standard.
Felt gliders available upon request.

**Illusion and Illusion
Grain (P/Us) = Gr. 4**



Loafer SC107 Space Copenhagen 2025



Fabric gr.	Upholstery	Lead time	Weight	PRICE EX. STATE TAX
Fabric gr. 1	Grain, Hot Madison, Remix, Re-Wool	6-8 weeks	15.20 kg	2.475
Fabric gr. 2	Barnum, Canvas, Fiord	6-8 weeks	15.20 kg	2.700
Fabric gr. 3	Hallingdal, Mylla, Steelcut Quartet, Steelcut Trio	6-8 weeks	15.20 kg	2.815
Fabric gr. 4	Acca, Beda, Cifrado, Ecriture, Vidar	6-8 weeks	15.20 kg	3.150
Fabric gr. 5	Gentle, Karakorum, Sisu	6-8 weeks	15.20 kg	3.375
Fabric gr. 6	Fuse	6-8 weeks	15.20 kg	4.050
COM	Fabric	6-8 weeks	15.20 kg	2.475



Made using FSC® certified wood, supporting responsible environmental, social and economical management of the world's forests. Visit www.fsc.org

Material: Wood, HR foam, polyester wadding, fabric upholstery.

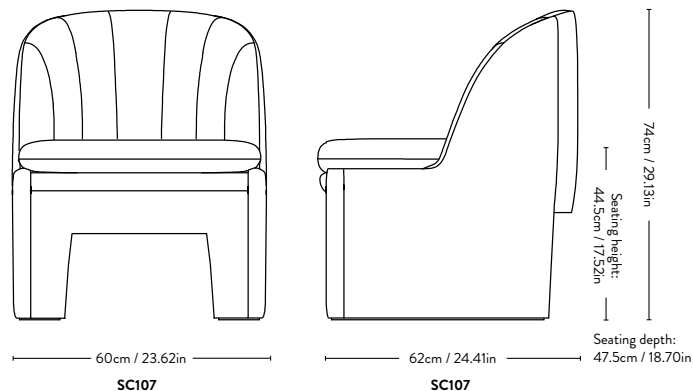
Fabric usage: 2.5 meters based on 140cm roll.

COM must be approved by &Tradition to ensure suitability for upholstery.

Loafer SC107 is not available in leather.

Plastic gliders installed as standard.
Felt gliders available upon request.

**Illusion and Illusion
Grain (P/Us) = Gr. 4**



Loafer SC23

Space Copenhagen

2018



Fabric gr.	Upholstery	Lead time	Weight	PRICE EX. STATE TAX
Fabric gr. 1	Grain, Hot Madison, Remix, Re-Wool	6-8 weeks	26.00 kg	2.815
Fabric gr. 2	Barnum, Canvas, Fiord	6-8 weeks	26.00 kg	3.040
Fabric gr. 3	Hallingdal, Mylla, Steelcut Quartet, Steelcut Trio	6-8 weeks	26.00 kg	3.150
Fabric gr. 4	Acca, Beda, Cifrado, Ecriture, Vidar	6-8 weeks	26.00 kg	3.490
Fabric gr. 5	Gentle, Karakorum, Sisu	6-8 weeks	26.00 kg	4.165
Fabric gr. 6	Fuse	6-8 weeks	26.00 kg	4.615
Sheepskin MTO	Sheepskin 17mm	10-12 weeks	26.00 kg	6.865
COM	Fabric	6-8 weeks	26.00 kg	2.815



Made using FSC® certified wood, supporting responsible environmental, social and economical management of the world's forests. Visit www.fsc.org

Material: Wood, HR foam, polyester wadding, fabric upholstery.

Fabric usage: 3.3 meters based on 140cm roll.

COM must be approved by &Tradition to ensure suitability for upholstery.

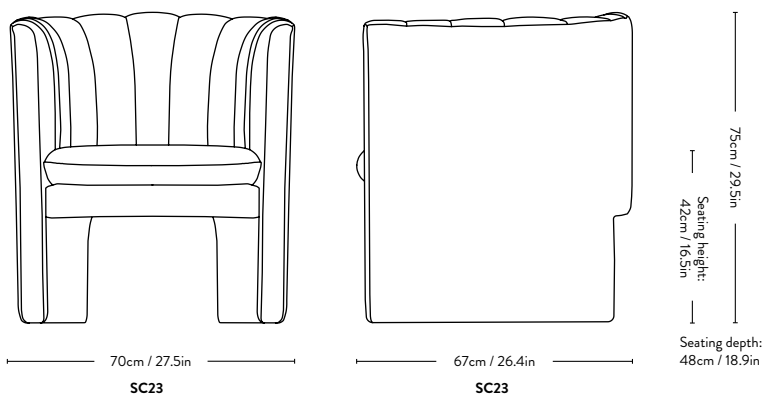
Loafer SC23 is not available in leather.

Plastic gliders installed as standard.
Felt gliders available upon request.

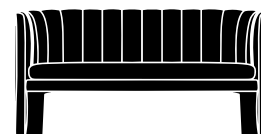
As with most natural materials, differences in structure, density and thickness are expected, as two pieces of sheepskin never look identical and tend to show natural variations in both curls and tones.

Illusion and Illusion

Grain (P/Us) = Gr. 4



Loafer SC25 Space Copenhagen 2019



Fabric gr.	Upholstery	Lead time	Weight	PRICE EX. STATE TAX
Fabric gr. 1	Grain, Hot Madison, Remix, Re-Wool	6-8 weeks	36.00 kg	5.850
Fabric gr. 2	Barnum, Canvas, Fiord	6-8 weeks	36.00 kg	6.525
Fabric gr. 3	Hallingdal, Mylla, Steelcut Quartet, Steelcut Trio	6-8 weeks	36.00 kg	6.750
Fabric gr. 4	Acca, Beda, Cifrado, Ecriture, Vidar	6-8 weeks	36.00 kg	7.650
Fabric gr. 5	Gentle, Karakorum, Sisu	6-8 weeks	36.00 kg	8.100
Fabric gr. 6	Fuse	6-8 weeks	36.00 kg	8.890
COM	Fabric	6-8 weeks	36.00 kg	5.850



Made using FSC® certified wood, supporting responsible environmental, social and economical management of the world's forests. Visit www.fsc.org

Material: Wood, HR foam, polyester wadding, fabric upholstery.

Fabric usage: 5.8 meters based on 140cm roll.

COM must be approved by &Tradition to ensure suitability for upholstery.

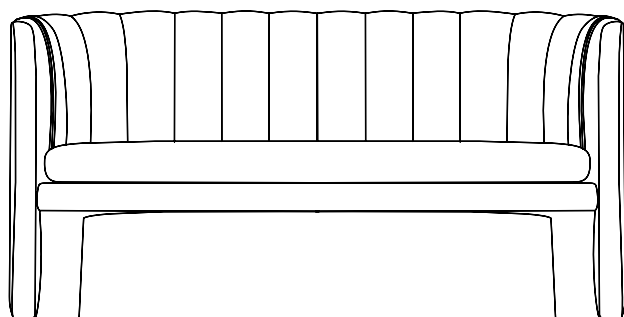
Loafer SC25 is not available in leather.

Plastic gliders installed as standard.
Felt gliders available upon request.

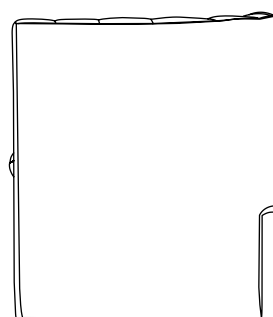
Customized sizes available upon request.

Extra height: 10% upcharge

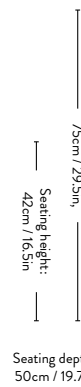
**Illusion and Illusion
Grain (P/Us) = Gr. 4**



150cm / 59.1in
SC25



65cm / 25.6in
SC25



Loafer SC26

Space Copenhagen

2019



Fabric gr.	Upholstery	Lead time	Weight	PRICE EX. STATE TAX
Fabric gr. 1	Grain, Hot Madison, Remix, Re-Wool	6-8 weeks	45.00 kg	6.415
Fabric gr. 2	Barnum, Canvas, Fiord	6-8 weeks	45.00 kg	7.090
Fabric gr. 3	Hallingdal, Mylla, Steelcut Quartet, Steelcut Trio	6-8 weeks	45.00 kg	7.315
Fabric gr. 4	Acca, Beda, Cifrado, Ecriture, Vidar	6-8 weeks	45.00 kg	8.215
Fabric gr. 5	Gentle, Karakorum, Sisu	6-8 weeks	45.00 kg	8.665
Fabric gr. 6	Fuse	6-8 weeks	45.00 kg	9.565
COM	Fabric	6-8 weeks	45.00 kg	6.415



Made using FSC® certified wood, supporting responsible environmental, social and economical management of the world's forests. Visit www.fsc.org

Material: Wood, HR foam, polyester wadding, fabric upholstery.

Fabric usage: 6.7 meters based on 140cm roll.

Leather usage: 12.7 square meters based on a yield of 60% pr hide.

COM must be approved by &Tradition to ensure suitability for upholstery.

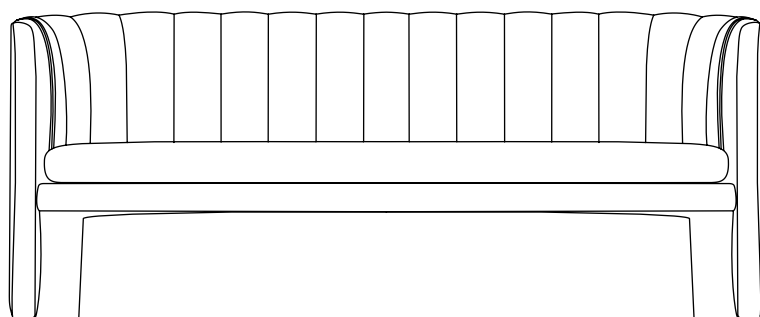
Loafer SC26 is not available in leather.

Plastic gliders installed as standard.
Felt gliders available upon request.

Customized sizes available upon request.

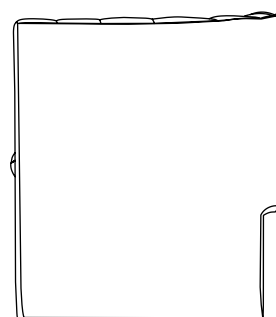
Extra height: 10% upcharge

Illusion and Illusion
Grain (P/Us) = Gr. 4



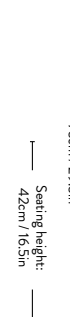
185cm / 72.8in

SC26



65cm / 25.6in

SC26

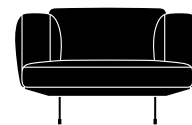


75cm / 29.5in

Seating height:
42cm / 16.5in

Seating depth:
50cm / 19.7in

Inland ^{AV21} Anderssen & Voll 2023



Fabric gr.	Upholstery	Base	Lead time	Weight	PRICE EX. STATE TAX
Fabric gr. 1	Grain, Hot Madison, Remix, Re-Wool	Warm Black, Polished aluminium	6-8 weeks	48.00 kg	4.050
Fabric gr. 2	Barnum, Canvas, Fiord	Warm Black, Polished aluminium	6-8 weeks	48.00 kg	4.500
Fabric gr. 3	Hallingdal, Mylla, Steelcut Quartet, Steelcut Trio	Warm Black, Polished aluminium	6-8 weeks	48.00 kg	4.615
Fabric gr. 4	Acca, Beda, Cifrado, Ecriture, Vidar	Warm Black, Polished aluminium	6-8 weeks	48.00 kg	5.175
Fabric gr. 5	Gentle, Karakorum, Sisu	Warm Black, Polished aluminium	6-8 weeks	48.00 kg	6.750
Fabric gr. 6	Fuse	Warm Black, Polished aluminium	6-8 weeks	48.00 kg	7.425
Leather	Noble Aniline leather	Warm Black, Polished aluminium	6-8 weeks	48.00 kg	6.750
Leather	Elmosoft Semi-aniline leather	Warm Black, Polished aluminium	6-8 weeks	48.00 kg	7.200
COM	Fabric	Warm Black, Polished aluminium	6-8 weeks	48.00 kg	4.050



Made using FSC® certified wood, supporting responsible environmental, social and economical management of the world's forests. Visit www.fsc.org

Material: Wood, steel base, HR foam, polyester wadding, fabric or leather upholstery.

Fabric usage: 6.1 meters based on 140cm roll.

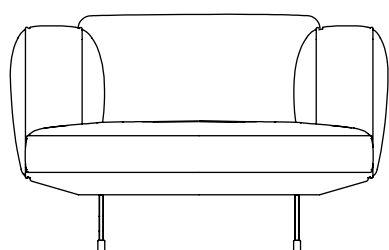
Leather usage: 11 square meters based on a yield of 60% pr hide.

COM must be approved by &Tradition to ensure suitability for upholstery.

Felt gliders installed as standard.
Plastic gliders available upon request.

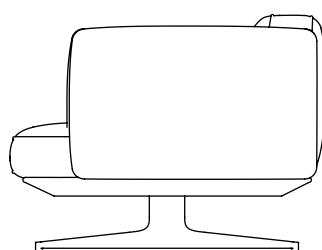
Spare parts available. Please refer to the 'Spare Parts' section.

Armrest width:
22cm / 8.7in



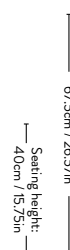
92.7cm / 36.5 in

AV21



96cm / 37.79in

AV21



67.5cm / 26.57in

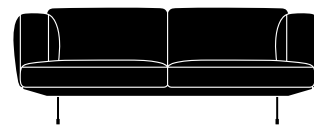
Seating height:
40cm / 15.75in

Seating depth:
63cm / 24.80in

Inland AV22

Anderssen & Voll

2022



Product no.	Upholstery	Base	Lead time	Weight	PRICE EX. STATE TAX
134452A235A030A502	Noble Aniline leather Cognac	Warm Black	Stock item	78.00 kg	9.005
134453A235A030A502	Noble Aniline leather Cognac	Polished Aluminium	Stock item	78.00 kg	9.005

Fabric gr.	Upholstery	Base	Lead time	Weight	PRICE EX. STATE TAX
Fabric gr. 1	Grain, Hot Madison, Remix, Re-Wool	Warm Black, Polished aluminium	6-8 weeks	78.00 kg	5.625
Fabric gr. 2	Barnum, Canvas, Fiord	Warm Black, Polished aluminium	6-8 weeks	78.00 kg	6.075
Fabric gr. 3	Hallingdal, Mylla, Steelcut Quartet, Steelcut Trio	Warm Black, Polished aluminium	6-8 weeks	78.00 kg	6.300
Fabric gr. 4	Acca, Beda, Cifrado, Ecriture, Vidar	Warm Black, Polished aluminium	6-8 weeks	78.00 kg	6.750
Fabric gr. 5	Gentle, Karakorum, Sisu	Warm Black, Polished aluminium	6-8 weeks	78.00 kg	8.550
Fabric gr. 6	Fuse	Warm Black, Polished aluminium	6-8 weeks	78.00 kg	9.455
Leather	Noble Aniline leather	Warm Black, Polished aluminium	6-8 weeks	78.00 kg	9.005
Leather	Elmosoft Semi-aniline leather	Warm Black, Polished aluminium	6-8 weeks	78.00 kg	10.130
COM	Fabric	Warm Black, Polished aluminium	6-8 weeks	78.00 kg	5.625



Made using FSC® certified wood, supporting responsible environmental, social and economical management of the world's forests. Visit www.fsc.org

Material: Wood, steel base, HR foam, polyester wadding, fabric or leather upholstery.

Fabric usage: 7.9 meters based on 140cm roll.

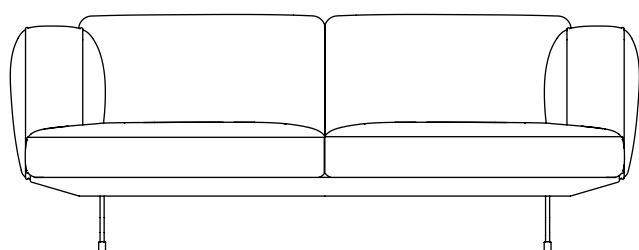
Leather usage: 19.8 square meters based on a yield of 60% pr hide.

COM must be approved by &Tradition to ensure suitability for upholstery.

Felt gliders installed as standard.
Plastic gliders available upon request.

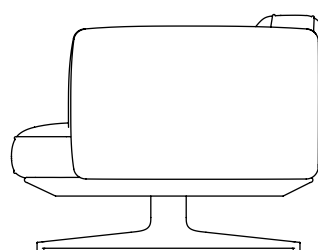
Spare parts available. Please refer to the 'Spare Parts' section.

Armrest width:
22cm / 8.7in



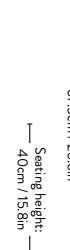
179cm / 70.5in

AV22



96cm / 37.6in

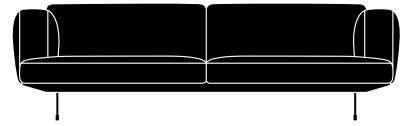
AV22



67.5cm / 26.6in
Seating height:
40cm / 15.8in

Seating depth:
63cm / 24.8in

Inland AV23 Anderssen & Voll 2022



Product no.	Upholstery	Base	Lead time	Weight	PRICE EX. STATE TAX
134454A235A030A502	Noble Aniline leather Cognac	Warm Black	Stock item	92.00 kg	10.130
134455A235A030A502	Noble Aniline leather Cognac	Polished Aluminium	Stock item	92.00 kg	10.130

Fabric gr.	Upholstery	Base	Lead time	Weight	PRICE EX. STATE TAX
Fabric gr. 1	Grain, Hot Madison, Remix, Re-Wool	Warm Black, Polished aluminium	6-8 weeks	92.00 kg	6.750
Fabric gr. 2	Barnum, Canvas, Fiord	Warm Black, Polished aluminium	6-8 weeks	92.00 kg	7.200
Fabric gr. 3	Hallingdal, Mylla, Steelcut Quartet, Steelcut Trio	Warm Black, Polished aluminium	6-8 weeks	92.00 kg	7.425
Fabric gr. 4	Acca, Beda, Cifrado, Ecriture, Vidar	Warm Black, Polished aluminium	6-8 weeks	92.00 kg	7.875
Fabric gr. 5	Gentle, Karakorum, Sisu	Warm Black, Polished aluminium	6-8 weeks	92.00 kg	10.130
Fabric gr. 6	Fuse	Warm Black, Polished aluminium	6-8 weeks	92.00 kg	11.255
Leather	Noble Aniline leather	Warm Black, Polished aluminium	6-8 weeks	92.00 kg	10.130
Leather	Elmosoft Semi-aniline leather	Warm Black, Polished aluminium	6-8 weeks	92.00 kg	11.255
COM	Fabric	Warm Black, Polished aluminium	6-8 weeks	92.00 kg	6.750



Made using FSC® certified wood, supporting responsible environmental, social and economical management of the world's forests. Visit www.fsc.org

Material: Wood, steel base, HR foam, polyester wadding, fabric or leather upholstery.

Fabric usage: 9.8 meters based on 140cm roll.

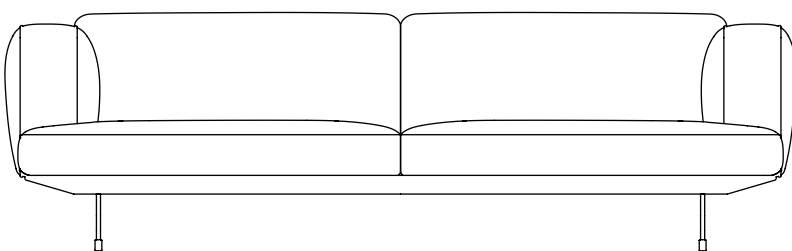
Leather usage: 25.3 square meters based on a yield of 60% pr hide.

COM must be approved by &Tradition to ensure suitability for upholstery.

Felt gliders installed as standard.
Plastic gliders available upon request.

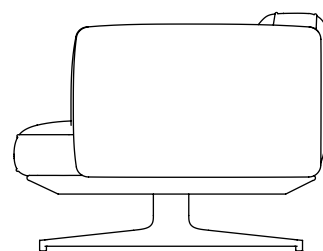
Spare parts available. Please refer to the 'Spare Parts' section.

Armrest width:
22cm / 8.7in



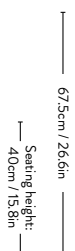
228cm / 89.8in

AV23



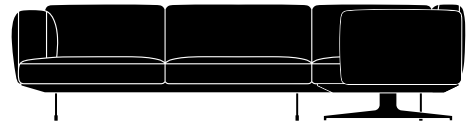
96cm / 37.6 in

AV23



Seating depth:
63cm / 24.8in

Inland ^{AV41} Anderssen & Voll 2024



Fabric gr.	Upholstery	Base	Lead time	Weight	PRICE EX. STATE TAX
Fabric gr. 1	Grain, Hot Madison, Remix, Re-Wool	Warm Black, Polished aluminium	6-8 weeks	158.00 kg	12.380
Fabric gr. 2	Barnum, Canvas, Fiord	Warm Black, Polished aluminium	6-8 weeks	158.00 kg	13.730
Fabric gr. 3	Hallingdal, Mylla, Steelcut Quartet, Steelcut Trio	Warm Black, Polished aluminium	6-8 weeks	158.00 kg	14.855
Fabric gr. 4	Acca, Beda, Cifrado, Ecriture, Vidar	Warm Black, Polished aluminium	6-8 weeks	158.00 kg	18.680
Fabric gr. 5	Gentle, Karakorum, Sisu	Warm Black, Polished aluminium	6-8 weeks	158.00 kg	19.805
Fabric gr. 6	Fuse	Warm Black, Polished aluminium	6-8 weeks	158.00 kg	25.430
Leather	Noble Aniline leather	Warm Black, Polished aluminium	6-8 weeks	158.00 kg	24.755
Leather	Elmosoft Semi-aniline leather	Warm Black, Polished aluminium	6-8 weeks	158.00 kg	27.005
COM	Fabric	Warm Black, Polished aluminium	6-8 weeks	158.00 kg	12.380



Made using FSC® certified wood, supporting responsible environmental, social and economical management of the world's forests. Visit www.fsc.org

Material: Wood, steel base, HR foam, polyester wadding, fabric or leather upholstery.

Fabric usage: 21.5 meters based on 140cm roll.

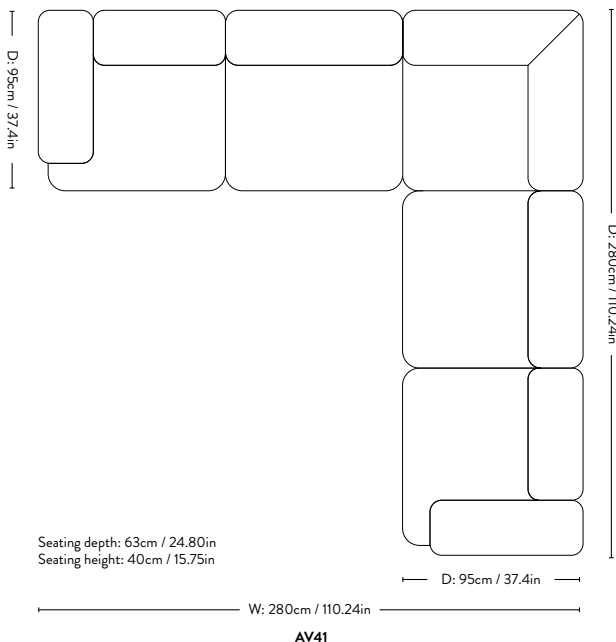
Leather usage: 51 square meters based on a yield of 60% pr hide.

COM must be approved by &Tradition to ensure suitability for upholstery.

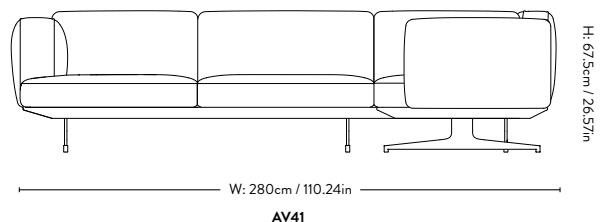
Felt gliders installed as standard.
Plastic gliders available upon request.

Note that the sofa is delivered in 3 boxes

Spare parts available. Please refer to the 'Spare Parts' section.



Armrest width:
22cm / 8.7in



Inland AV42 Anderssen & Voll 2024



Fabric gr.	Upholstery	Base	Lead time	Weight	PRICE EX. STATE TAX
Fabric gr. 1	Grain, Hot Madison, Remix, Re-Wool	Warm Black, Polished aluminium	6-8 weeks	112.00 kg	10.130
Fabric gr. 2	Barnum, Canvas, Fiord	Warm Black, Polished aluminium	6-8 weeks	112.00 kg	11.255
Fabric gr. 3	Hallingdal, Mylla, Steelcut Quartet, Steelcut Trio	Warm Black, Polished aluminium	6-8 weeks	112.00 kg	12.380
Fabric gr. 4	Acca, Beda, Cifrado, Ecriture, Vidar	Warm Black, Polished aluminium	6-8 weeks	112.00 kg	14.180
Fabric gr. 5	Gentle, Karakorum, Sisu	Warm Black, Polished aluminium	6-8 weeks	112.00 kg	15.305
Fabric gr. 6	Fuse	Warm Black, Polished aluminium	6-8 weeks	112.00 kg	18.680
Leather	Noble Aniline leather	Warm Black, Polished aluminium	6-8 weeks	112.00 kg	18.005
Leather	Elmosoft Semi-aniline leather	Warm Black, Polished aluminium	6-8 weeks	112.00 kg	20.255
COM	Fabric	Warm Black, Polished aluminium	6-8 weeks	112.00 kg	10.130



Made using FSC® certified wood, supporting responsible environmental, social and economical management of the world's forests. Visit www.fsc.org

Material: Wood, steel base, HR foam, polyester wadding, fabric or leather upholstery.

Fabric usage: 14.9 meters based on 140cm roll.

Leather usage: 37 square meters based on a yield of 60% pr hide.

COM must be approved by &Tradition to ensure suitability for upholstery.

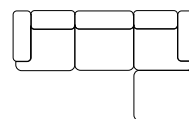
Felt gliders installed as standard.
Plastic gliders available upon request.

Note that the sofa is delivered in 2 boxes

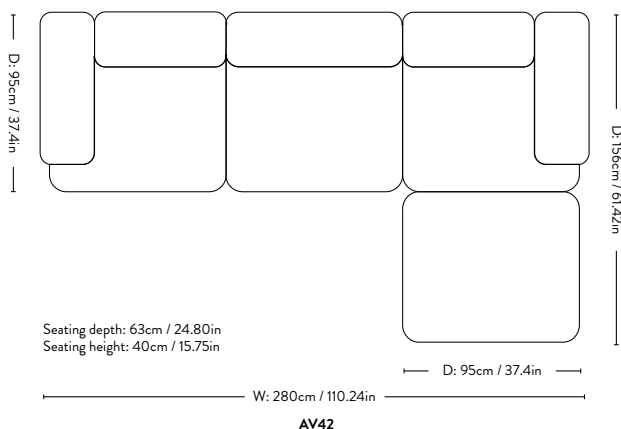
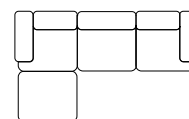
Please specify the orientation of the chaise longue with the order (Right-facing, Left-facing).

Spare parts available. Please refer to the 'Spare Parts' section.

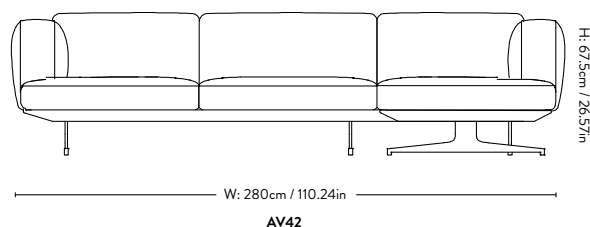
Right facing



Left facing



Armrest width:
22cm / 8.7in



Inland ^{AV32} Anderssen & Voll 2023



Fabric gr.	Upholstery	Base	Lead time	Weight	PRICE EX. STATE TAX
Fabric gr. 1	Grain, Hot Madison, Remix, Re-Wool	Warm Black, Polished aluminium	6-8 weeks	29.00 kg	2.250
Fabric gr. 2	Barnum, Canvas, Fiord	Warm Black, Polished aluminium	6-8 weeks	29.00 kg	2.700
Fabric gr. 3	Hallingdal, Mylla, Steelcut Quartet, Steelcut Trio	Warm Black, Polished aluminium	6-8 weeks	29.00 kg	2.815
Fabric gr. 4	Acca, Beda, Cifrado, Ecriture, Vidar	Warm Black, Polished aluminium	6-8 weeks	29.00 kg	3.375
Fabric gr. 5	Gentle, Karakorum, Sisu	Warm Black, Polished aluminium	6-8 weeks	29.00 kg	4.050
Fabric gr. 6	Fuse	Warm Black, Polished aluminium	6-8 weeks	29.00 kg	4.500
Leather	Noble Aniline leather	Warm Black, Polished aluminium	6-8 weeks	29.00 kg	3.825
Leather	Elmosoft Semi-aniline leather	Warm Black, Polished aluminium	6-8 weeks	29.00 kg	4.275
COM	Fabric	Warm Black, Polished aluminium	6-8 weeks	29.00 kg	2.250



Made using FSC® certified wood, supporting responsible environmental, social and economical management of the world's forests. Visit www.fsc.org

Material: Wood, steel base, HR foam, polyester wadding, fabric or leather upholstery.

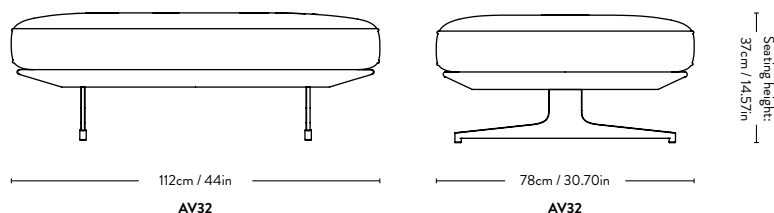
Fabric usage: 3.6 meters based on 140cm roll.

Leather usage: 4.8 square meters based on a yield of 60% pr hide.

COM must be approved by &Tradition to ensure suitability for upholstery.

Felt gliders installed as standard.
Plastic gliders available upon request.

Spare parts available. Please refer to the 'Spare Parts' section.



Mayor ^{AJ5} Arne Jacobsen & Flemming Lassen 1939



Fabric gr.	Upholstery	Base	Lead time	Weight	PRICE EX. STATE TAX
Fabric gr. 1	Grain, Hot Madison, Remix, Re-Wool	Oak	6-8 weeks	45.00 kg	8.325
		Walnut	6-8 weeks	45.00 kg	9.455
Fabric gr. 2	Barnum, Canvas, Fiord	Oak	6-8 weeks	45.00 kg	9.005
		Walnut	6-8 weeks	45.00 kg	10.130
Fabric gr. 3	Hallingdal, Mylla, Steelcut Quartet, Steelcut Trio	Oak	6-8 weeks	45.00 kg	9.230
		Walnut	6-8 weeks	45.00 kg	10.355
Fabric gr. 4	Acca, Beda, Cifrado, Ecriture, Vidar	Oak	6-8 weeks	45.00 kg	9.680
		Walnut	6-8 weeks	45.00 kg	10.805
Fabric gr. 5	Gentle, Karakorum, Sisu	Oak	6-8 weeks	45.00 kg	11.255
		Walnut	6-8 weeks	45.00 kg	12.380
Fabric gr. 6	Fuse	Oak	6-8 weeks	45.00 kg	12.380
		Walnut	6-8 weeks	45.00 kg	13.615
Leather	Noble Aniline leather	Oak	6-8 weeks	45.00 kg	13.500
		Walnut	6-8 weeks	45.00 kg	14.630
Leather	Elmosoft Semi-aniline leather	Oak	6-8 weeks	45.00 kg	16.205
		Walnut	6-8 weeks	45.00 kg	17.330
Sheepskin	Sheepskin 17mm (Moonlight & Sahara)	Oak	6-8 weeks	45.00 kg	16.205
		Walnut	6-8 weeks	45.00 kg	17.330
COM	Fabric	Oak	6-8 weeks	45.00 kg	8.325
		Walnut	6-8 weeks	45.00 kg	9.455

Add on	Lead time	Weight	PRICE EX. STATE TAX
Mayor high legs - Providing a seating height of 47cm. (must be specified with the order)	9-10 weeks	0.10 kg	565
Piping & buttons in Noble Aniline leather. (must be specified with the order)	6-8 weeks		1.240



Made using FSC® certified wood, supporting responsible environmental, social and economical management of the world's forests. Visit www.fsc.org

As with most natural materials, differences in structure, density and thickness are expected, as two pieces of sheepskin never look identical and tend to show natural variations in both curls and tones.

Base	Variant
Solid Oak	Oiled Oak, Smoked Oiled Oak, Black Water Based Lacquered Oak
Solid Walnut	Oiled Walnut

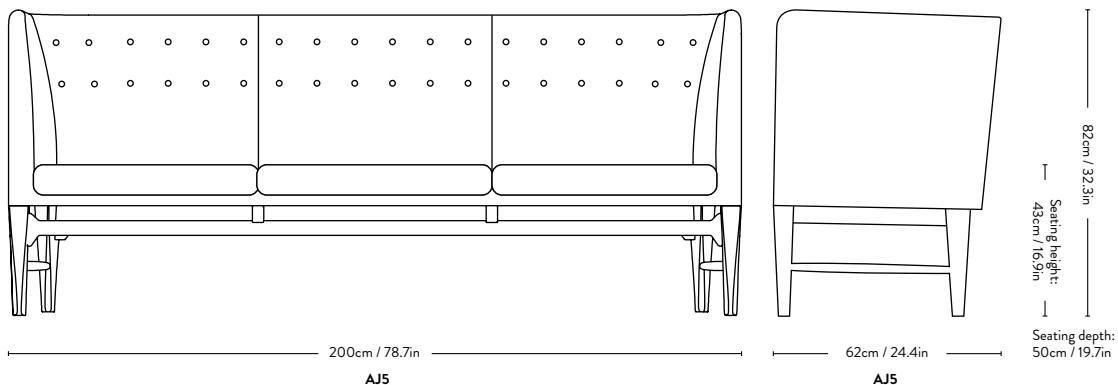
Material: Solid oak or walnut base, solid beech frame, elastic belts and HR foam. Fabric or leather upholstery.

Fabric usage: 6.5 meters based on 140cm roll.

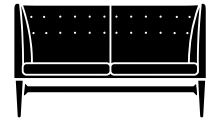
Leather usage: 12 square meters based on a yield of 60% pr hide.

COM must be approved by &Tradition to ensure suitability for upholstery.

Felt gliders installed as standard.



Mayor ^{AJ6} Arne Jacobsen & Flemming Lassen 1939



Fabric gr.	Upholstery	Base	Lead time	Weight	PRICE EX. STATE TAX
Fabric gr. 1	Grain, Hot Madison, Remix, Re-Wool	Oak	6-8 weeks	38.00 kg	7.425
		Walnut	6-8 weeks	38.00 kg	8.325
Fabric gr. 2	Barnum, Canvas, Fiord	Oak	6-8 weeks	38.00 kg	8.100
		Walnut	6-8 weeks	38.00 kg	9.005
Fabric gr. 3	Hallingdal, Mylla, Steelcut Quartet, Steelcut Trio	Oak	6-8 weeks	38.00 kg	8.325
		Walnut	6-8 weeks	38.00 kg	9.230
Fabric gr. 4	Acca, Beda, Cifrado, Ecriture, Vidar	Oak	6-8 weeks	38.00 kg	8.325
		Walnut	6-8 weeks	38.00 kg	9.680
Fabric gr. 5	Gentle, Karakorum, Sisu	Oak	6-8 weeks	38.00 kg	9.905
		Walnut	6-8 weeks	38.00 kg	10.805
Fabric gr. 6	Fuse	Oak	6-8 weeks	38.00 kg	10.915
		Walnut	6-8 weeks	38.00 kg	11.930
Leather	Noble Aniline leather	Oak	6-8 weeks	38.00 kg	11.480
		Walnut	6-8 weeks	38.00 kg	12.380
Leather	Elmosoft Semi-aniline leather	Oak	6-8 weeks	38.00 kg	13.955
		Walnut	6-8 weeks	38.00 kg	14.855
Sheepskin	Sheepskin 17mm (Moonlight & Sahara)	Oak	6-8 weeks	38.00 kg	13.955
		Walnut	6-8 weeks	38.00 kg	14.855
COM	Fabric	Oak	6-8 weeks	38.00 kg	7.425
		Walnut	6-8 weeks	38.00 kg	8.325

Add on	Lead time	Weight	PRICE EX. STATE TAX
Mayor high legs - Providing a seating height of 47cm. (must be specified with the order)	9-10 weeks	0.10 kg	565
Piping & buttons in Noble Aniline leather. (must be specified with the order)	6-8 weeks		1.240



Made using FSC® certified wood, supporting responsible environmental, social and economical management of the world's forests. Visit www.fsc.org

As with most natural materials, differences in structure, density and thickness are expected, as two pieces of sheepskin never look identical and tend to show natural variations in both curls and tones.

Base	Variant
Solid Oak	Oiled Oak, Smoked Oiled Oak, Black Water Based Lacquered Oak
Solid Walnut	Oiled Walnut

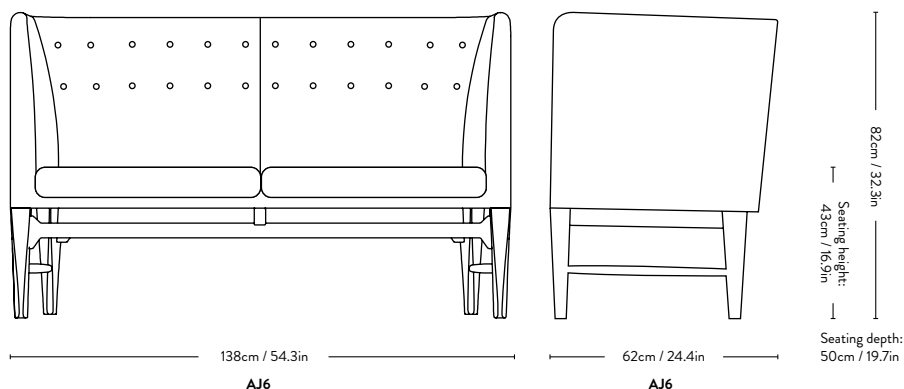
Material: Solid oak or walnut base, solid beech frame, elastic belts and HR foam. Fabric or leather upholstery.

Fabric usage: 5 meters based on 140cm roll.

Leather usage: 10 square meters based on a yield of 60% pr hide.

COM must be approved by &Tradition to ensure suitability for upholstery.

Felt gliders installed as standard.



Cloud LN1

Luca Nichetto

2015



Fabric gr.	Upholstery	Base	Lead time	Weight	PRICE EX. STATE TAX
Fabric gr. 1	Grain, Hot Madison, Remix, Re-Wool	Warm Black or Chrome	6-8 weeks	40.00 kg	4.725
Fabric gr. 2	Barnum, Canvas, Fiord	Warm Black or Chrome	6-8 weeks	40.00 kg	5.400
Fabric gr. 3	Hallingdal, Mylla, Steelcut Quartet, Steelcut Trio	Warm Black or Chrome	6-8 weeks	40.00 kg	5.515
Fabric gr. 4	Acca, Beda, Cifrado, Ecriture, Vidar	Warm Black or Chrome	6-8 weeks	40.00 kg	5.850
Fabric gr. 5	Gentle, Karakorum, Sisu	Warm Black or Chrome	6-8 weeks	40.00 kg	7.200
Fabric gr. 6	Fuse	Warm Black or Chrome	6-8 weeks	40.00 kg	7.875
Leather	Noble Aniline leather	Warm Black or Chrome	6-8 weeks	40.00 kg	8.775
Leather	Elmosoft Semi-aniline leather	Warm Black or Chrome	6-8 weeks	40.00 kg	10.580
COM	Fabric	Warm Black or Chrome	6-8 weeks	40.00 kg	4.725



Made using FSC® certified wood, supporting responsible environmental, social and economical management of the world's forests. Visit www.fsc.org

Legs	Variant
Solid	Powder Coated Warm Black
Steel tube	Chrome

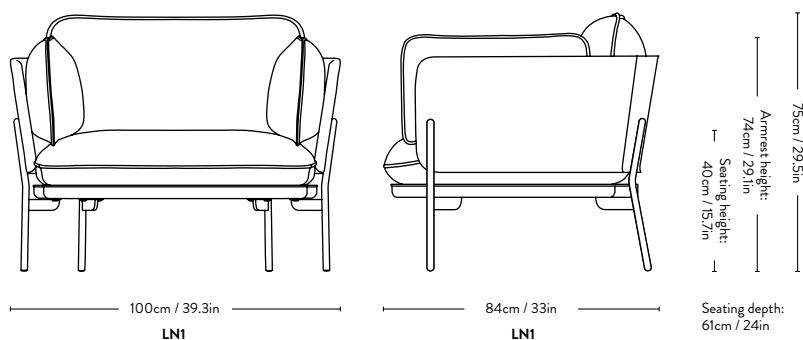
Material: Plywood, solid wood and steel base with no-zag springs. HR foam, polyester fibers and feather pillows. Solid steel legs. Fabric or leather upholstery.

Fabric usage: 6 meters based on 140cm roll.

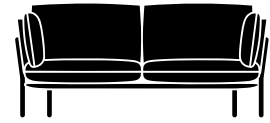
Leather usage: 14 square meters based on a yield of 60% pr hide.

COM must be approved by &Tradition to ensure suitability for upholstery.

Felt gliders installed as standard.



Cloud LN2 Luca Nichetto 2015



Fabric gr.	Upholstery	Base	Lead time	Weight	PRICE EX. STATE TAX
Fabric gr. 1	Grain, Hot Madison, Remix, Re-Wool	Warm Black or Chrome	6-8 weeks	57.00 kg	6.300
Fabric gr. 2	Barnum, Canvas, Fiord	Warm Black or Chrome	6-8 weeks	57.00 kg	7.200
Fabric gr. 3	Hallingdal, Mylla, Steelcut Quartet, Steelcut Trio	Warm Black or Chrome	6-8 weeks	57.00 kg	7.425
Fabric gr. 4	Acca, Beda, Cifrado, Ecriture, Vidar	Warm Black or Chrome	6-8 weeks	57.00 kg	7.650
Fabric gr. 5	Gentle, Karakorum, Sisu	Warm Black or Chrome	6-8 weeks	57.00 kg	10.240
Fabric gr. 6	Fuse	Warm Black or Chrome	6-8 weeks	57.00 kg	11.255
Leather	Noble Aniline leather	Warm Black or Chrome	6-8 weeks	57.00 kg	11.815
Leather	Elmosoft Semi-aniline leather	Warm Black or Chrome	6-8 weeks	57.00 kg	14.180
COM	Fabric	Warm Black or Chrome	6-8 weeks	57.00 kg	6.300

Legs Variant

Solid	Powder Coated Warm Black
Steel tube	Chrome

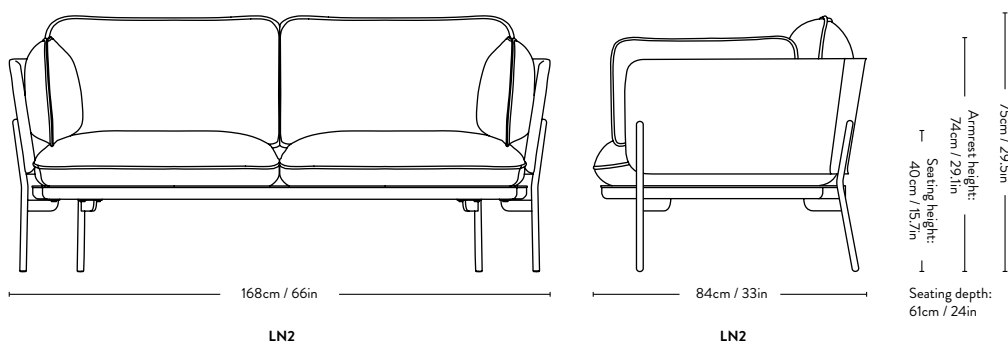
Material: Plywood, solid wood and steel base with no-zag springs. HR foam, polyester fibers and feather pillows. Solid steel legs. Fabric or leather upholstery.

Fabric usage: 8 meters based on 140cm roll.

Leather usage: 19 square meters based on a yield of 60% pr hide.

COM must be approved by &Tradition to ensure suitability for upholstery.

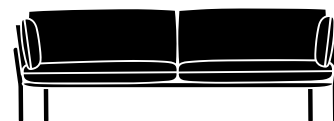
Felt gliders installed as standard.



Cloud LN3.2

Luca Nichetto

2015



Fabric gr.	Upholstery	Base	Lead time	Weight	PRICE EX. STATE TAX
Fabric gr. 1	Grain, Hot Madison, Remix, Re-Wool	Warm Black or Chrome	6-8 weeks	69.00 kg	7.540
Fabric gr. 2	Barnum, Canvas, Fiord	Warm Black or Chrome	6-8 weeks	69.00 kg	8.550
Fabric gr. 3	Hallingdal, Mylla, Steelcut Quartet, Steelcut Trio	Warm Black or Chrome	6-8 weeks	69.00 kg	8.775
Fabric gr. 4	Acca, Beda, Cifrado, Ecriture, Vidar	Warm Black or Chrome	6-8 weeks	69.00 kg	9.340
Fabric gr. 5	Gentle, Karakorum, Sisu	Warm Black or Chrome	6-8 weeks	69.00 kg	12.380
Fabric gr. 6	Fuse	Warm Black or Chrome	6-8 weeks	69.00 kg	13.615
Leather	Noble Aniline leather	Warm Black or Chrome	6-8 weeks	69.00 kg	13.055
Leather	Elmosoft Semi-aniline leather	Warm Black or Chrome	6-8 weeks	69.00 kg	15.755
COM	Fabric	Warm Black or Chrome	6-8 weeks	69.00 kg	7.540

Legs Variant

Solid	Powder Coated Warm Black
Steel tube	Chrome

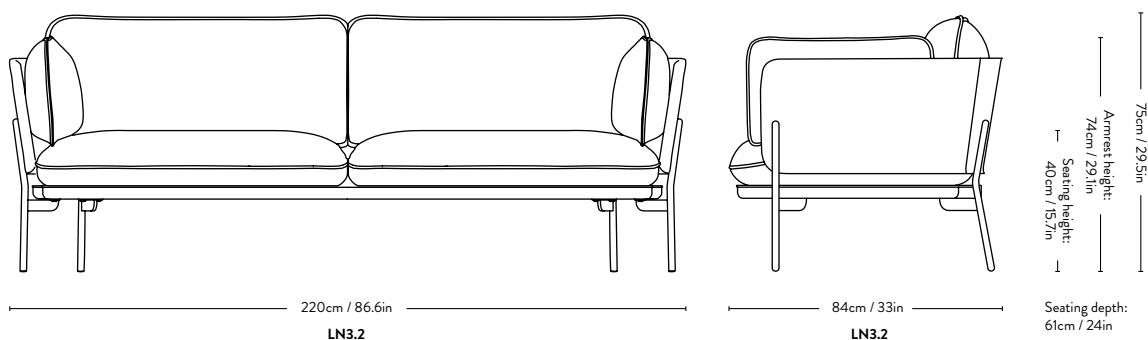
Material: Plywood, solid wood and steel base with no-zag springs. HR foam, polyester fibers and feather pillows. Solid steel legs. Fabric or leather upholstery.

Fabric usage: 11 meters based on 140cm roll.

Leather usage: 21 square meters based on a yield of 60% pr hide.

COM must be approved by &Tradition to ensure suitability for upholstery.

Felt gliders installed as standard.



Cloud LN5

Luca Nichetto

2018



Fabric gr.	Upholstery	Base	Lead time	Weight	PRICE EX. STATE TAX
Fabric gr. 1	Grain, Hot Madison, Remix, Re-Wool	Warm Black or Chrome	6-8 weeks	50.00 kg	6.300
Fabric gr. 2	Barnum, Canvas, Fiord	Warm Black or Chrome	6-8 weeks	50.00 kg	7.425
Fabric gr. 3	Hallingdal, Mylla, Steelcut Quartet, Steelcut Trio	Warm Black or Chrome	6-8 weeks	50.00 kg	7.540
Fabric gr. 4	Acca, Beda, Cifrado, Ecriture, Vidar	Warm Black or Chrome	6-8 weeks	50.00 kg	12.380
Fabric gr. 5	Gentle, Karakorum, Sisu	Warm Black or Chrome	6-8 weeks	50.00 kg	13.505
Fabric gr. 6	Fuse	Warm Black or Chrome	6-8 weeks	50.00 kg	12.375
Leather	Noble Aniline leather	Warm Black or Chrome	6-8 weeks	50.00 kg	10.355
COM	Fabric	Warm Black or Chrome	6-8 weeks	50.00 kg	6.300

Product no.	Add on	Cord lenght	Lead time	PRICE EX. STATE TAX
133349	Power outlet incl bracket (US plug) (must be specified with the order)	30 cm	6-8 weeks	565



Made using FSC® certified wood, supporting responsible environmental, social and economical management of the world's forests. Visit www.fsc.org

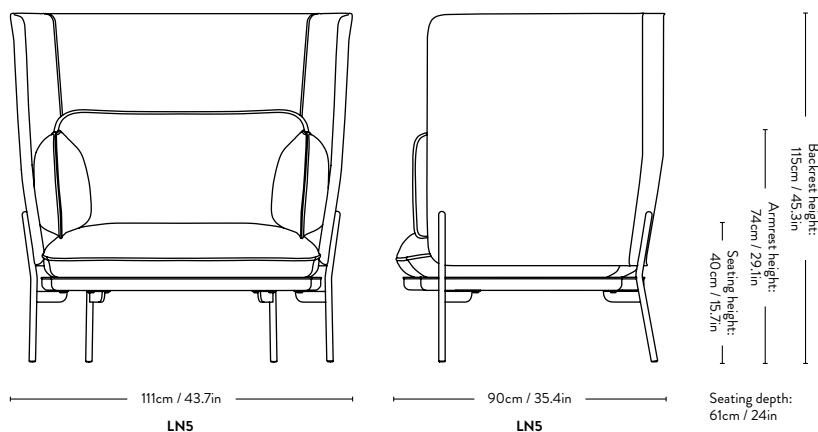
Legs	Variant
Solid	Powder Coated Warm Black
Steel tube	Chrome

Material: Plywood, solid wood and steel base with no-zag springs. HR foam, polyester fibers and feather pillows. Solid steel legs. Fabric or leather upholstery.

Fabric usage: 12 meters based on 140cm roll.

COM must be approved by &Tradition to ensure suitability for upholstery.

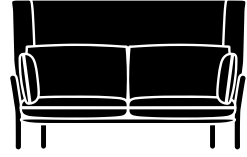
Felt gliders installed as standard.



Cloud LN6

Luca Nichetto

2017



Fabric gr.	Upholstery	Base	Lead time	Weight	PRICE EX. STATE TAX
Fabric gr. 1	Grain, Hot Madison, Remix, Re-Wool	Warm Black or Chrome	6-8 weeks	71.00 kg	8.100
Fabric gr. 2	Barnum, Canvas, Fiord	Warm Black or Chrome	6-8 weeks	71.00 kg	9.230
Fabric gr. 3	Hallingdal, Mylla, Steelcut Quartet, Steelcut Trio	Warm Black or Chrome	6-8 weeks	71.00 kg	9.455
Fabric gr. 4	Acca, Beda, Cifrado, Ecriture, Vidar	Warm Black or Chrome	6-8 weeks	71.00 kg	10.355
Fabric gr. 5	Gentle, Karakorum, Sisu	Warm Black or Chrome	6-8 weeks	71.00 kg	14.855
Fabric gr. 6	Fuse	Warm Black or Chrome	6-8 weeks	71.00 kg	16.315
Leather	Noble Aniline leather	Warm Black or Chrome	6-8 weeks	71.00 kg	12.830
COM	Fabric	Warm Black or Chrome	6-8 weeks	71.00 kg	8.100

Product no.	Add on	Cord lenght	Lead time	PRICE EX. STATE TAX
133349	Power outlet incl bracket (US plug) (must be specified with the order)	30 cm	6-8 weeks	565



Made using FSC® certified wood, supporting responsible environmental, social and economical management of the world's forests. Visit www.fsc.org

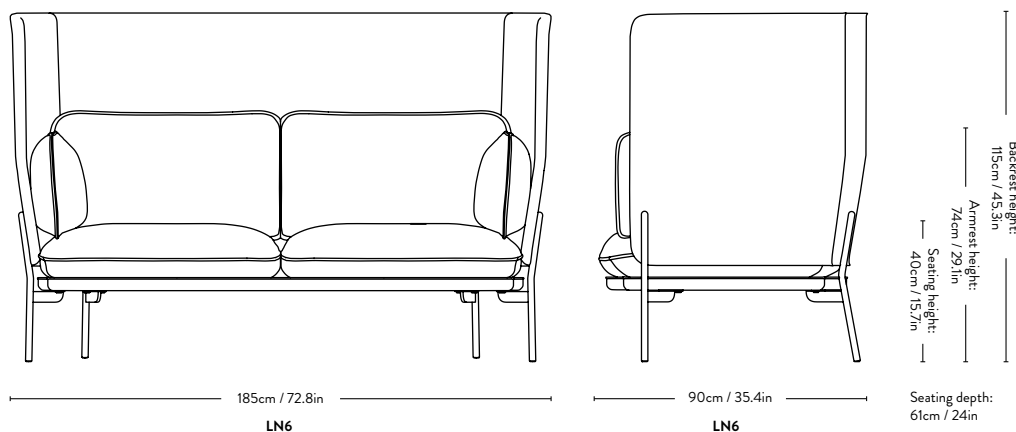
Legs	Variant
Solid	Powder Coated Warm Black
Steel tube	Chrome

Material: Plywood, solid wood and steel base with no-zag springs. HR foam, polyester fibers and feather pillows. Solid steel legs. Fabric or leather upholstery.

Fabric usage: 17 meters based on 140cm roll.

COM must be approved by &Tradition to ensure suitability for upholstery.

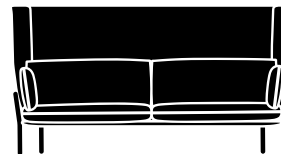
Felt gliders installed as standard.



Cloud LN7

Luca Nichetto

2017



Fabric gr.	Upholstery	Base	Lead time	Weight	PRICE EX. STATE TAX
Fabric gr. 1	Grain, Hot Madison, Remix, Re-Wool	Warm Black or Chrome	6-8 weeks	85.00 kg	9.230
Fabric gr. 2	Barnum, Canvas, Fiord	Warm Black or Chrome	6-8 weeks	85.00 kg	10.580
Fabric gr. 3	Hallingdal, Mylla, Steelcut Quartet, Steelcut Trio	Warm Black or Chrome	6-8 weeks	85.00 kg	10.805
Fabric gr. 4	Acca, Beda, Cifrado, Ecriture, Vidar	Warm Black or Chrome	6-8 weeks	85.00 kg	12.155
Fabric gr. 5	Gentle, Karakorum, Sisu	Warm Black or Chrome	6-8 weeks	85.00 kg	18.005
Fabric gr. 6	Fuse	Warm Black or Chrome	6-8 weeks	85.00 kg	19.805
Leather	Noble Aniline leather	Warm Black or Chrome	6-8 weeks	85.00 kg	15.080
COM	Fabric	Warm Black or Chrome	6-8 weeks	85.00 kg	9.230

Product no.	Add on	Cord lenght	Lead time	PRICE EX. STATE TAX
133349	Power outlet incl bracket (US plug) (must be specified with the order)	30 cm	6-8 weeks	565



Made using FSC® certified wood, supporting responsible environmental, social and economical management of the world's forests. Visit www.fsc.org

Legs Variant

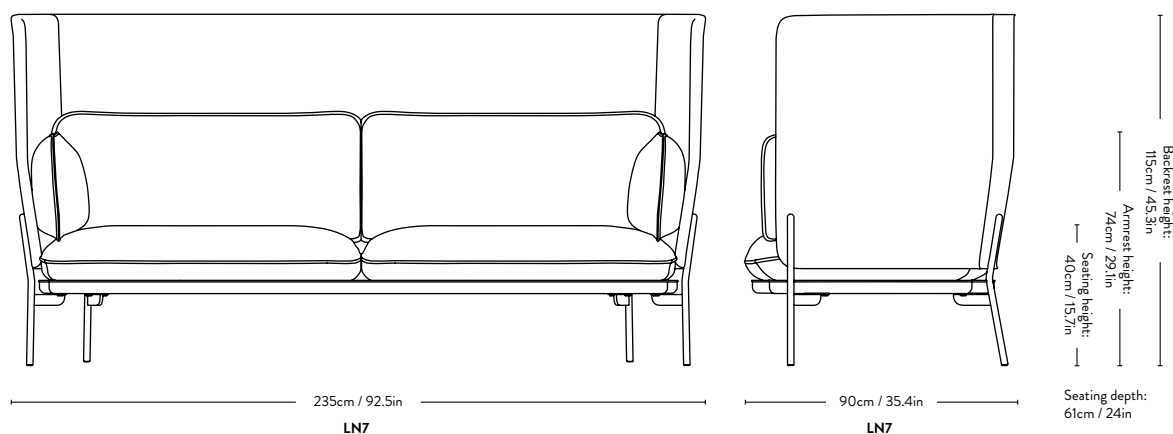
Solid	Powder Coated Warm Black
Steel tube	Chrome

Material: Plywood, solid wood and steel base with no-zag springs. HR foam, polyester fibers and feather pillows. Solid steel legs. Fabric or leather upholstery.

Fabric usage: 18 meters based on 140cm roll.

COM must be approved by &Tradition to ensure suitability for upholstery.

Felt gliders installed as standard.

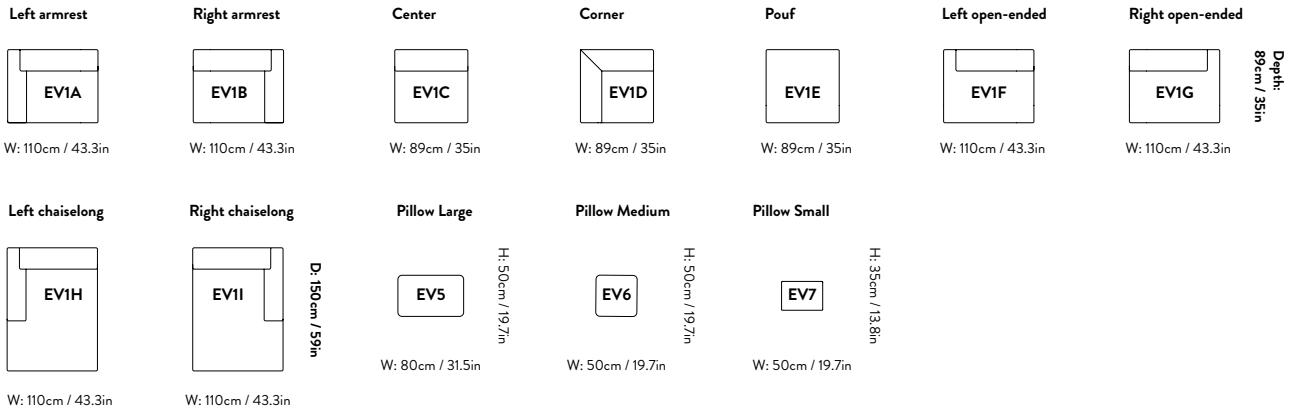


Develius ^{EV1-EV7} Edward van Vliet 2018



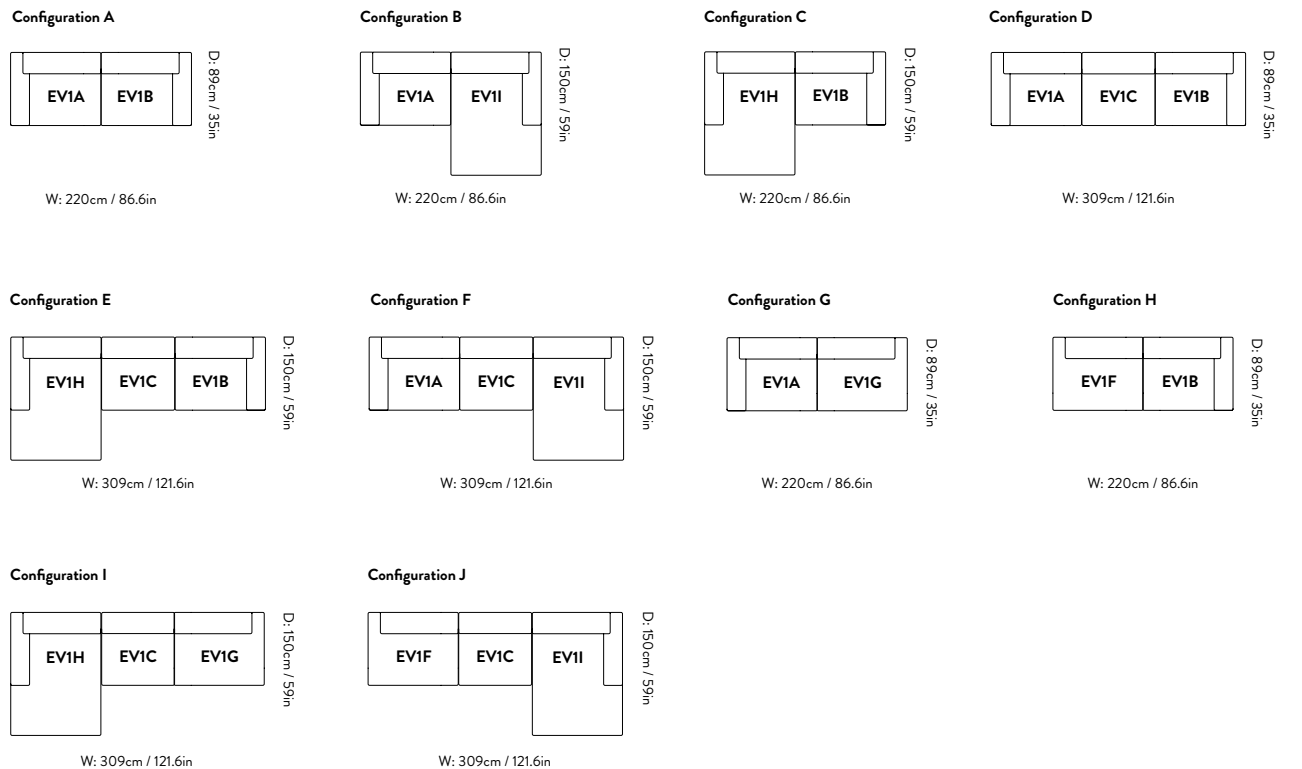
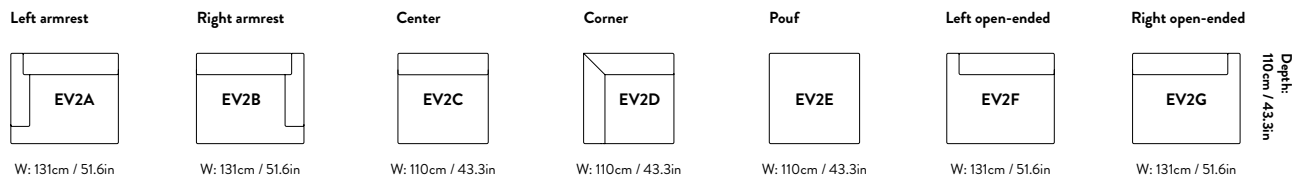
EV1 modules:

Seating Depth: 64cm / 25.2in, Seating Height: 42cm / 16.5in, Armrest Height: 60cm / 23.6in, Backrest Height: 70cm / 27.6in

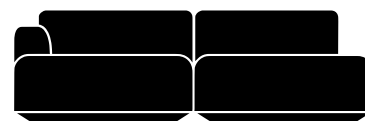


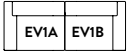
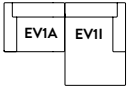
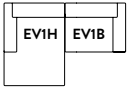
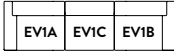
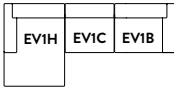
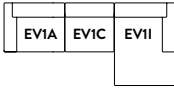
EV2 modules:

Seating Depth: 85cm / 33.5in, Seating Height: 42cm / 16.5in, Armrest Height: 60cm / 23.6in, Backrest Height: 70cm / 27.6in



Develius Edward van Vliet 2018



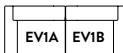
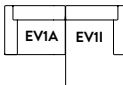
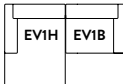
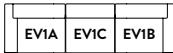
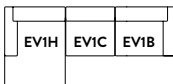
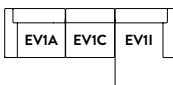
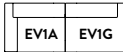
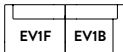
Product code	Variant	Upholstery	Lead time	PRICE EX. STATE TAX
134506A237A018A397	Configuration A	Hot Madison 094	3-5 weeks	5.400
134506A237A016A323		Hallingdal 220	1-2 weeks	6.075
134507A237A018A397	Configuration B	Hot Madison 094	3-5 weeks	6.190
134507A237A016A323		Hallingdal 220	3-5 weeks	6.865
134508A237A018A397	Configuration C	Hot Madison 094	3-5 weeks	6.190
134508A237A016A323		Hallingdal 220	3-5 weeks	6.865
134509A237A018A397	Configuration D	Hot Madison 094	3-5 weeks	7.650
134509A237A016A323		Hallingdal 220	1-2 weeks	8.665
134510A237A018A397	Configuration E	Hot Madison 094	3-5 weeks	8.440
134510A237A016A323		Hallingdal 220	3-5 weeks	9.450
134511A237A018A397	Configuration F	Hot Madison 094	3-5 weeks	8.440
134511A237A016A323		Hallingdal 220	3-5 weeks	9.450

Develius

Edward van Vliet

2018



Product code	Variant	Upholstery	Lead time	PRICE EX. STATE TAX
A	Configuration A 	· Grain, Hot Madison, Remix, Re-wool	6-8 weeks	5.400
		· Barnum, Canvas, Fiord	6-8 weeks	5.850
		· Hallingdal, Mylla, Steelcut Quartet, Steelcut Trio	6-8 weeks	6.075
		· Acca, Beda, Cifrado, Ecriture, Vidar	6-8 weeks	7.200
		· Gentle, Karakorum, Sisu, Zade*	6-8 weeks	10.800
		· Fuse	6-8 weeks	11.925
		· COM	6-8 weeks	5.400
B	Configuration B 	· Grain, Hot Madison, Remix, Re-wool	6-8 weeks	6.190
		· Barnum, Canvas, Fiord	6-8 weeks	6.640
		· Hallingdal, Mylla, Steelcut Quartet, Steelcut Trio	6-8 weeks	6.865
		· Acca, Beda, Cifrado, Ecriture, Vidar	6-8 weeks	7.990
		· Gentle, Karakorum, Sisu, Zade*	6-8 weeks	11.815
		· Fuse	6-8 weeks	13.050
		· COM	6-8 weeks	6.190
C	Configuration C 	· Grain, Hot Madison, Remix, Re-wool	6-8 weeks	6.190
		· Barnum, Canvas, Fiord	6-8 weeks	6.640
		· Hallingdal, Mylla, Steelcut Quartet, Steelcut Trio	6-8 weeks	6.865
		· Acca, Beda, Cifrado, Ecriture, Vidar	6-8 weeks	7.990
		· Gentle, Karakorum, Sisu, Zade*	6-8 weeks	11.815
		· Fuse	6-8 weeks	13.050
		· COM	6-8 weeks	6.190
D	Configuration D 	· Grain, Hot Madison, Remix, Re-wool	6-8 weeks	7.650
		· Barnum, Canvas, Fiord	6-8 weeks	8.325
		· Hallingdal, Mylla, Steelcut Quartet, Steelcut Trio	6-8 weeks	8.665
		· Acca, Beda, Cifrado, Ecriture, Vidar	6-8 weeks	10.125
		· Gentle, Karakorum, Sisu, Zade*	6-8 weeks	15.075
		· Fuse	6-8 weeks	16.650
		· COM	6-8 weeks	7.650
E	Configuration E 	· Grain, Hot Madison, Remix, Re-wool	6-8 weeks	8.440
		· Barnum, Canvas, Fiord	6-8 weeks	9.115
		· Hallingdal, Mylla, Steelcut Quartet, Steelcut Trio	6-8 weeks	9.450
		· Acca, Beda, Cifrado, Ecriture, Vidar	6-8 weeks	10.915
		· Gentle, Karakorum, Sisu, Zade*	6-8 weeks	16.090
		· Fuse	6-8 weeks	17.775
		· COM	6-8 weeks	8.440
F	Configuration F 	· Grain, Hot Madison, Remix, Re-wool	6-8 weeks	8.440
		· Barnum, Canvas, Fiord	6-8 weeks	9.115
		· Hallingdal, Mylla, Steelcut Quartet, Steelcut Trio	6-8 weeks	9.450
		· Acca, Beda, Cifrado, Ecriture, Vidar	6-8 weeks	10.915
		· Gentle, Karakorum, Sisu, Zade*	6-8 weeks	16.090
		· Fuse	6-8 weeks	17.775
		· COM	6-8 weeks	8.440
G	Configuration G 	· Grain, Hot Madison, Remix, Re-wool	6-8 weeks	5.290
		· Barnum, Canvas, Fiord	6-8 weeks	5.740
		· Hallingdal, Mylla, Steelcut Quartet, Steelcut Trio	6-8 weeks	5.965
		· Acca, Beda, Cifrado, Ecriture, Vidar	6-8 weeks	6.975
		· Gentle, Karakorum, Sisu, Zade*	6-8 weeks	10.240
		· Fuse	6-8 weeks	11.365
		· COM	6-8 weeks	5.290
H	Configuration H 	· Grain, Hot Madison, Remix, Re-wool	6-8 weeks	5.290
		· Barnum, Canvas, Fiord	6-8 weeks	5.740
		· Hallingdal, Mylla, Steelcut Quartet, Steelcut Trio	6-8 weeks	5.965
		· Acca, Beda, Cifrado, Ecriture, Vidar	6-8 weeks	6.975
		· Gentle, Karakorum, Sisu, Zade*	6-8 weeks	10.240
		· Fuse	6-8 weeks	11.365
		· COM	6-8 weeks	5.290

Develius

Edward van Vliet

2018



Product code	Variant	Upholstery	Lead time	PRICE EX. STATE TAX
I	Configuration I 	· Grain, Hot Madison, Remix, Re-wool	6-8 weeks	8.325
		· Barnum, Canvas, Fiord	6-8 weeks	9.000
		· Hallingdal, Mylla, Steelcut Quartet, Steelcut Trio	6-8 weeks	9.340
		· Acca, Beda, Cifrado, Ecriture, Vidar	6-8 weeks	10.690
		· Gentle, Karakorum, Sisu, Zade*	6-8 weeks	15.525
		· Fuse	6-8 weeks	17.215
		· COM	6-8 weeks	8.325
J	Configuration J 	· Grain, Hot Madison, Remix, Re-wool	6-8 weeks	8.325
		· Barnum, Canvas, Fiord	6-8 weeks	9.000
		· Hallingdal, Mylla, Steelcut Quartet, Steelcut Trio	6-8 weeks	9.340
		· Acca, Beda, Cifrado, Ecriture, Vidar	6-8 weeks	10.690
		· Gentle, Karakorum, Sisu, Zade*	6-8 weeks	15.525
		· Fuse	6-8 weeks	17.215
		· COM	6-8 weeks	8.325

* Please be aware that patterns may not align at seams or edges



Made using FSC® certified wood, supporting responsible environmental, social and economical management of the world's forests. Visit www.fsc.org

Material: Wooden frame, no-zag springs, HR foam and polyester wadding. Metal brackets for connecting modules.

COM must be approved by &Tradition to ensure suitability for upholstery.

Develius and Develius Mellow are not available in leather.

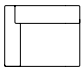


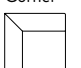
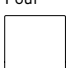
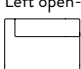
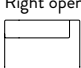
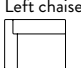
Felt gliders installed as standard.

Develius ^{EV1A-EV1I}

Edward van Vliet

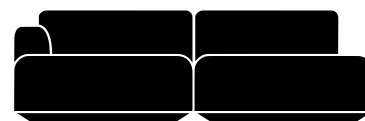
2018

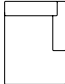


Product code	Variant	Upholstery	Lead time	Weight	PRICE EX. STATE TAX
EV1A	 Left armrest Fabric usage: 5.1m*	· Grain, Hot Madison, Remix, Re-wool	6-8 weeks	50.00 kg	2.700
		· Barnum, Canvas, Fiord	6-8 weeks	50.00 kg	2.925
		· Hallingdal, Mylla, Steelcut Quartet, Steelcut Trio	6-8 weeks	50.00 kg	3.040
		· Acca, Beda, Cifrado, Ecriture, Vidar	6-8 weeks	50.00 kg	3.600
		· Gentle, Karakorum, Sisu, Zade*	6-8 weeks	50.00 kg	5.400
		· Fuse	6-8 weeks	50.00 kg	5.965
		· COM	6-8 weeks	50.00 kg	2.700
EV1B	 Right armrest Fabric usage: 5.1m*	· Grain, Hot Madison, Remix, Re-wool	6-8 weeks	50.00 kg	2.700
		· Barnum, Canvas, Fiord	6-8 weeks	50.00 kg	2.925
		· Hallingdal, Mylla, Steelcut Quartet, Steelcut Trio	6-8 weeks	50.00 kg	3.040
		· Acca, Beda, Cifrado, Ecriture, Vidar	6-8 weeks	50.00 kg	3.600
		· Gentle, Karakorum, Sisu, Zade*	6-8 weeks	50.00 kg	5.400
		· Fuse	6-8 weeks	50.00 kg	5.965
		· COM	6-8 weeks	50.00 kg	2.700
EV1C	 Center Fabric usage: 3.7m*	· Grain, Hot Madison, Remix, Re-wool	6-8 weeks	35.00 kg	2.250
		· Barnum, Canvas, Fiord	6-8 weeks	35.00 kg	2.475
		· Hallingdal, Mylla, Steelcut Quartet, Steelcut Trio	6-8 weeks	35.00 kg	2.590
		· Acca, Beda, Cifrado, Ecriture, Vidar	6-8 weeks	35.00 kg	2.925
		· Gentle, Karakorum, Sisu, Zade*	6-8 weeks	35.00 kg	4.275
		· Fuse	6-8 weeks	35.00 kg	4.725
		· COM	6-8 weeks	35.00 kg	2.250
EV1D	 Corner Fabric usage: 4.5m*	· Grain, Hot Madison, Remix, Re-wool	6-8 weeks	43.00 kg	2.700
		· Barnum, Canvas, Fiord	6-8 weeks	43.00 kg	2.925
		· Hallingdal, Mylla, Steelcut Quartet, Steelcut Trio	6-8 weeks	43.00 kg	3.040
		· Acca, Beda, Cifrado, Ecriture, Vidar	6-8 weeks	43.00 kg	3.600
		· Gentle, Karakorum, Sisu, Zade*	6-8 weeks	43.00 kg	5.400
		· Fuse	6-8 weeks	43.00 kg	5.965
		· COM	6-8 weeks	43.00 kg	2.700
EV1E	 Pouf Fabric usage: 2.9m*	· Grain, Hot Madison, Remix, Re-wool	6-8 weeks	26.00 kg	1.915
		· Barnum, Canvas, Fiord	6-8 weeks	26.00 kg	2.140
		· Hallingdal, Mylla, Steelcut Quartet, Steelcut Trio	6-8 weeks	26.00 kg	2.250
		· Acca, Beda, Cifrado, Ecriture, Vidar	6-8 weeks	26.00 kg	2.365
		· Gentle, Karakorum, Sisu, Zade*	6-8 weeks	26.00 kg	3.040
		· Fuse	6-8 weeks	26.00 kg	3.375
		· COM	6-8 weeks	26.00 kg	1.915
EV1F	 Left open-ended Fabric usage: 4.2m*	· Grain, Hot Madison, Remix, Re-wool	6-8 weeks	43.00 kg	2.590
		· Barnum, Canvas, Fiord	6-8 weeks	43.00 kg	2.815
		· Hallingdal, Mylla, Steelcut Quartet, Steelcut Trio	6-8 weeks	43.00 kg	2.925
		· Acca, Beda, Cifrado, Ecriture, Vidar	6-8 weeks	43.00 kg	3.375
		· Gentle, Karakorum, Sisu, Zade*	6-8 weeks	43.00 kg	4.840
		· Fuse	6-8 weeks	43.00 kg	5.400
		· COM	6-8 weeks	43.00 kg	2.590
EV1G	 Right open-ended Fabric usage: 4.2m*	· Grain, Hot Madison, Remix, Re-wool	6-8 weeks	43.00 kg	2.590
		· Barnum, Canvas, Fiord	6-8 weeks	43.00 kg	2.815
		· Hallingdal, Mylla, Steelcut Quartet, Steelcut Trio	6-8 weeks	43.00 kg	2.925
		· Acca, Beda, Cifrado, Ecriture, Vidar	6-8 weeks	43.00 kg	3.375
		· Gentle, Karakorum, Sisu, Zade*	6-8 weeks	43.00 kg	4.840
		· Fuse	6-8 weeks	43.00 kg	5.400
		· COM	6-8 weeks	43.00 kg	2.590
EV1H	 Left chaiselong Fabric usage: 6.1m*	· Grain, Hot Madison, Remix, Re-wool	6-8 weeks	70.00 kg	3.490
		· Barnum, Canvas, Fiord	6-8 weeks	70.00 kg	3.715
		· Hallingdal, Mylla, Steelcut Quartet, Steelcut Trio	6-8 weeks	70.00 kg	3.825
		· Acca, Beda, Cifrado, Ecriture, Vidar	6-8 weeks	70.00 kg	4.390
		· Gentle, Karakorum, Sisu, Zade*	6-8 weeks	70.00 kg	6.415
		· Fuse	6-8 weeks	70.00 kg	7.090
		· COM	6-8 weeks	70.00 kg	3.490

* Fabric usage is based on a 140cm roll

Develius ^{EV1A-EV1I} Edward van Vliet 2018



Product code	Variant	Upholstery	Lead time	PRICE EX. STATE TAX
EV1I	Right chaiselong  Fabric usage: 6.1m*	• Grain, Hot Madison, Remix, Re-wool	6-8 weeks 70.00 kg	3.490
		• Barnum, Canvas, Fiord	6-8 weeks 70.00 kg	3.715
		• Hallingdal, Mylla, Steelcut Quartet, Steelcut Trio	6-8 weeks 70.00 kg	3.825
		• Acca, Beda, Cifrado, Ecriture, Vidar	6-8 weeks 70.00 kg	4.390
		• Gentle, Karakorum, Sisu, Zade*	6-8 weeks 70.00 kg	6.415
		• Fuse	6-8 weeks 70.00 kg	7.090
		• COM	6-8 weeks 70.00 kg	3.490
Add on		Cord lenght	Lead time	PRICE EX. STATE TAX
	Power outlet (US plug) (must be specified with the order incl. drawing)	30 cm	6-8 weeks	565

* Fabric usage is based on a 140cm roll

* Please be aware that patterns may not align at seams or edges



Made using FSC® certified wood, supporting responsible environmental, social and economical management of the world's forests. Visit www.fsc.org

The mark of responsible forestry

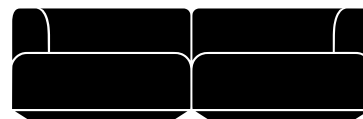
Material: Wooden frame, no-zag springs, HR foam and polyester wadding. Metal brackets for connecting modules.

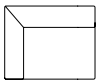
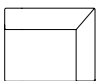
COM must be approved by &Tradition to ensure suitability for upholstery.

Develius and Develius Mellow are not available in leather.

Felt gliders installed as standard.

Develius ^{EV1J & EV1K} Edward van Vliet 2018



Product code	Variant	Upholstery	Lead time	Weight	PRICE EX. STATE TAX
EV1J	Left armrest  Fabric usage: 5.1m*	· Grain, Hot Madison, Remix, Re-wool	6-8 weeks	51.00 kg	2.700
		· Barnum, Canvas, Fiord	6-8 weeks	51.00 kg	2.925
		· Hallingdal, Mylla, Steelcut Quartet, Steelcut Trio	6-8 weeks	51.00 kg	3.040
		· Acca, Beda, Cifrado, Ecriture, Vidar	6-8 weeks	51.00 kg	3.600
		· Gentle, Karakorum, Sisu, Zade*	6-8 weeks	51.00 kg	5.400
		· Fuse	6-8 weeks	51.00 kg	5.965
		· COM	6-8 weeks	51.00 kg	2.700
EV1K	Right armrest  Fabric usage: 5.1m*	· Grain, Hot Madison, Remix, Re-wool	6-8 weeks	51.00 kg	2.700
		· Barnum, Canvas, Fiord	6-8 weeks	51.00 kg	2.925
		· Hallingdal, Mylla, Steelcut Quartet, Steelcut Trio	6-8 weeks	51.00 kg	3.040
		· Acca, Beda, Cifrado, Ecriture, Vidar	6-8 weeks	51.00 kg	3.600
		· Gentle, Karakorum, Sisu, Zade*	6-8 weeks	51.00 kg	5.400
		· Fuse	6-8 weeks	51.00 kg	5.965
		· COM	6-8 weeks	51.00 kg	2.700

Add on	Cord length	Lead time	PRICE EX. STATE TAX
Power outlet (US plug) (must be specified with the order incl. drawing)	30 cm	6-8 weeks	565

* Please be aware that patterns may not align at seams or edges



Made using FSC® certified wood, supporting responsible environmental, social and economical management of the world's forests. Visit www.fsc.org

Material: Wooden frame, no-zag springs, HR foam and polyester wadding. Metal brackets for connecting modules.

COM must be approved by &Tradition to ensure suitability for upholstery.

Develius and Develius Mellow are not available in leather.

Felt gliders installed as standard.

EV1 modules:

Seating Depth: 64cm / 25.2in, Seating Height: 42cm / 16.5in, Armrest Height: 70cm / 23.6in, Backrest Height: 70cm / 27.6in

Left armrest



W: 110cm / 43.3in

Right armrest



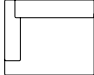
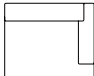

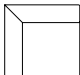

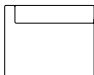
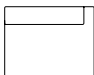
W: 110cm / 43.3in

Develius EV2A-EV2G

Edward van Vliet

2018



Product code	Variant	Upholstery	Lead time	Weight	PRICE EX. STATE TAX
EV2A	Left armrest 	· Grain, Hot Madison, Remix, Re-wool	6-8 weeks	63.00 kg	3.600
		· Barnum, Canvas, Fiord	6-8 weeks	63.00 kg	4.050
		· Hallingdal, Mylla, Steelcut Quartet, Steelcut Trio	6-8 weeks	63.00 kg	4.165
		· Acca, Beda, Cifrado, Ecriture, Vidar	6-8 weeks	63.00 kg	4.615
		· Gentle, Karakorum, Sisu, Zade*	6-8 weeks	63.00 kg	6.300
		· Fuse	6-8 weeks	63.00 kg	6.975
		· COM	6-8 weeks	63.00 kg	3.600
Fabric usage: 5.5m*					
EV2B	Right armrest 	· Grain, Hot Madison, Remix, Re-wool	6-8 weeks	63.00 kg	3.600
		· Barnum, Canvas, Fiord	6-8 weeks	63.00 kg	4.050
		· Hallingdal, Mylla, Steelcut Quartet, Steelcut Trio	6-8 weeks	63.00 kg	4.165
		· Acca, Beda, Cifrado, Ecriture, Vidar	6-8 weeks	63.00 kg	4.615
		· Gentle, Karakorum, Sisu, Zade*	6-8 weeks	63.00 kg	6.300
		· Fuse	6-8 weeks	63.00 kg	6.975
		· COM	6-8 weeks	63.00 kg	3.600
Fabric usage: 5.5m*					
EV2C	Center 	· Grain, Hot Madison, Remix, Re-wool	6-8 weeks	48.00 kg	2.925
		· Barnum, Canvas, Fiord	6-8 weeks	48.00 kg	3.150
		· Hallingdal, Mylla, Steelcut Quartet, Steelcut Trio	6-8 weeks	48.00 kg	3.265
		· Acca, Beda, Cifrado, Ecriture, Vidar	6-8 weeks	48.00 kg	3.600
		· Gentle, Karakorum, Sisu, Zade*	6-8 weeks	48.00 kg	4.950
		· Fuse	6-8 weeks	48.00 kg	5.400
		· COM	6-8 weeks	48.00 kg	2.925
Fabric usage: 4.4m*					
EV2D	Corner 	· Grain, Hot Madison, Remix, Re-wool	6-8 weeks	57.00 kg	3.265
		· Barnum, Canvas, Fiord	6-8 weeks	57.00 kg	3.490
		· Hallingdal, Mylla, Steelcut Quartet, Steelcut Trio	6-8 weeks	57.00 kg	3.600
		· Acca, Beda, Cifrado, Ecriture, Vidar	6-8 weeks	57.00 kg	4.165
		· Gentle, Karakorum, Sisu, Zade*	6-8 weeks	57.00 kg	5.965
		· Fuse	6-8 weeks	57.00 kg	6.525
		· COM	6-8 weeks	57.00 kg	3.265
Fabric usage: 5.7m*					
EV2E	Pouf 	· Grain, Hot Madison, Remix, Re-wool	6-8 weeks	32.00 kg	2.475
		· Barnum, Canvas, Fiord	6-8 weeks	32.00 kg	2.700
		· Hallingdal, Mylla, Steelcut Quartet, Steelcut Trio	6-8 weeks	32.00 kg	2.815
		· Acca, Beda, Cifrado, Ecriture, Vidar	6-8 weeks	32.00 kg	3.150
		· Gentle, Karakorum, Sisu, Zade*	6-8 weeks	32.00 kg	4.050
		· Fuse	6-8 weeks	32.00 kg	4.500
		· COM	6-8 weeks	32.00 kg	2.475
Fabric usage: 3.6m*					
EV2F	Left open-ended 	· Grain, Hot Madison, Remix, Re-wool	6-8 weeks	57.00 kg	3.490
		· Barnum, Canvas, Fiord	6-8 weeks	57.00 kg	3.825
		· Hallingdal, Mylla, Steelcut Quartet, Steelcut Trio	6-8 weeks	57.00 kg	3.940
		· Acca, Beda, Cifrado, Ecriture, Vidar	6-8 weeks	57.00 kg	4.390
		· Gentle, Karakorum, Sisu, Zade*	6-8 weeks	57.00 kg	5.850
		· Fuse	6-8 weeks	57.00 kg	6.415
		· COM	6-8 weeks	57.00 kg	3.490
Fabric usage: 4.9m*					
EV2G	Right open-ended 	· Grain, Hot Madison, Remix, Re-wool	6-8 weeks	57.00 kg	3.490
		· Barnum, Canvas, Fiord	6-8 weeks	57.00 kg	3.825
		· Hallingdal, Mylla, Steelcut Quartet, Steelcut Trio	6-8 weeks	57.00 kg	3.940
		· Acca, Beda, Cifrado, Ecriture, Vidar	6-8 weeks	57.00 kg	4.390
		· Gentle, Karakorum, Sisu, Zade*	6-8 weeks	57.00 kg	5.850
		· Fuse	6-8 weeks	57.00 kg	6.415
		· COM	6-8 weeks	57.00 kg	3.490
Fabric usage: 4.9m*					

* Fabric usage is based on a 140cm roll

COM must be approved by &Tradition to ensure suitability for upholstery.

Material: Wooden frame, no-zag springs, HR foam and polyester wadding. Metal brackets for connecting modules.

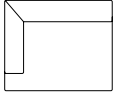
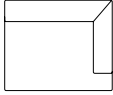
Develius and Develius Mellow are not available in leather. Felt gliders installed as standard.

Develius EV2J & EV2K

Edward van Vliet

2018



Product code	Variant	Upholstery	Lead time	Weight	PRICE EX. STATE TAX
EV2J	Left armrest  Fabric usage: 6m*	· Grain, Hot Madison, Remix, Re-wool	6-8 weeks	62.00 kg	3.600
		· Barnum, Canvas, Fiord	6-8 weeks	62.00 kg	4.050
		· Hallingdal, Mylla, Steelcut Quartet, Steelcut Trio	6-8 weeks	62.00 kg	4.165
		· Acca, Beda, Cifrado, Ecriture, Vidar	6-8 weeks	62.00 kg	4.615
		· Gentle, Karakorum, Sisu, Zade*	6-8 weeks	62.00 kg	6.300
		· Fuse	6-8 weeks	62.00 kg	6.975
		· COM	6-8 weeks	62.00 kg	3.600
EV2K	Right armrest  Fabric usage: 6m*	· Grain, Hot Madison, Remix, Re-wool	6-8 weeks	62.00 kg	3.600
		· Barnum, Canvas, Fiord	6-8 weeks	62.00 kg	4.050
		· Hallingdal, Mylla, Steelcut Quartet, Steelcut Trio	6-8 weeks	62.00 kg	4.165
		· Acca, Beda, Cifrado, Ecriture, Vidar	6-8 weeks	62.00 kg	4.615
		· Gentle, Karakorum, Sisu, Zade*	6-8 weeks	62.00 kg	6.300
		· Fuse	6-8 weeks	62.00 kg	6.975
		· COM	6-8 weeks	62.00 kg	3.600

Add on	Cord length	Lead time	PRICE EX. STATE TAX
Power outlet (US plug) (must be specified with the order incl. drawing)	30 cm	6-8 weeks	565

* Please be aware that patterns may not align at seams or edges



Made using FSC® certified wood, supporting responsible environmental, social and economical management of the world's forests. Visit www.fsc.org

Material: Wooden frame, no-zag springs, HR foam and polyester wadding. Metal brackets for connecting modules.

COM must be approved by &Tradition to ensure suitability for upholstery.

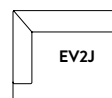
Develius and Develius Mellow are not available in leather.

Felt gliders installed as standard.

EV2 modules:

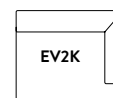
Seating Depth: 85cm / 33.5in, Seating Height: 42cm / 16.5in, Armrest Height: 70cm / 23.6in, Backrest Height: 70cm / 27.6in

Left armrest



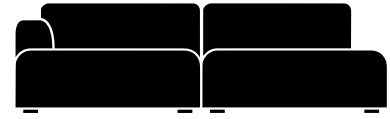
W: 131cm / 51.6in

Right armrest



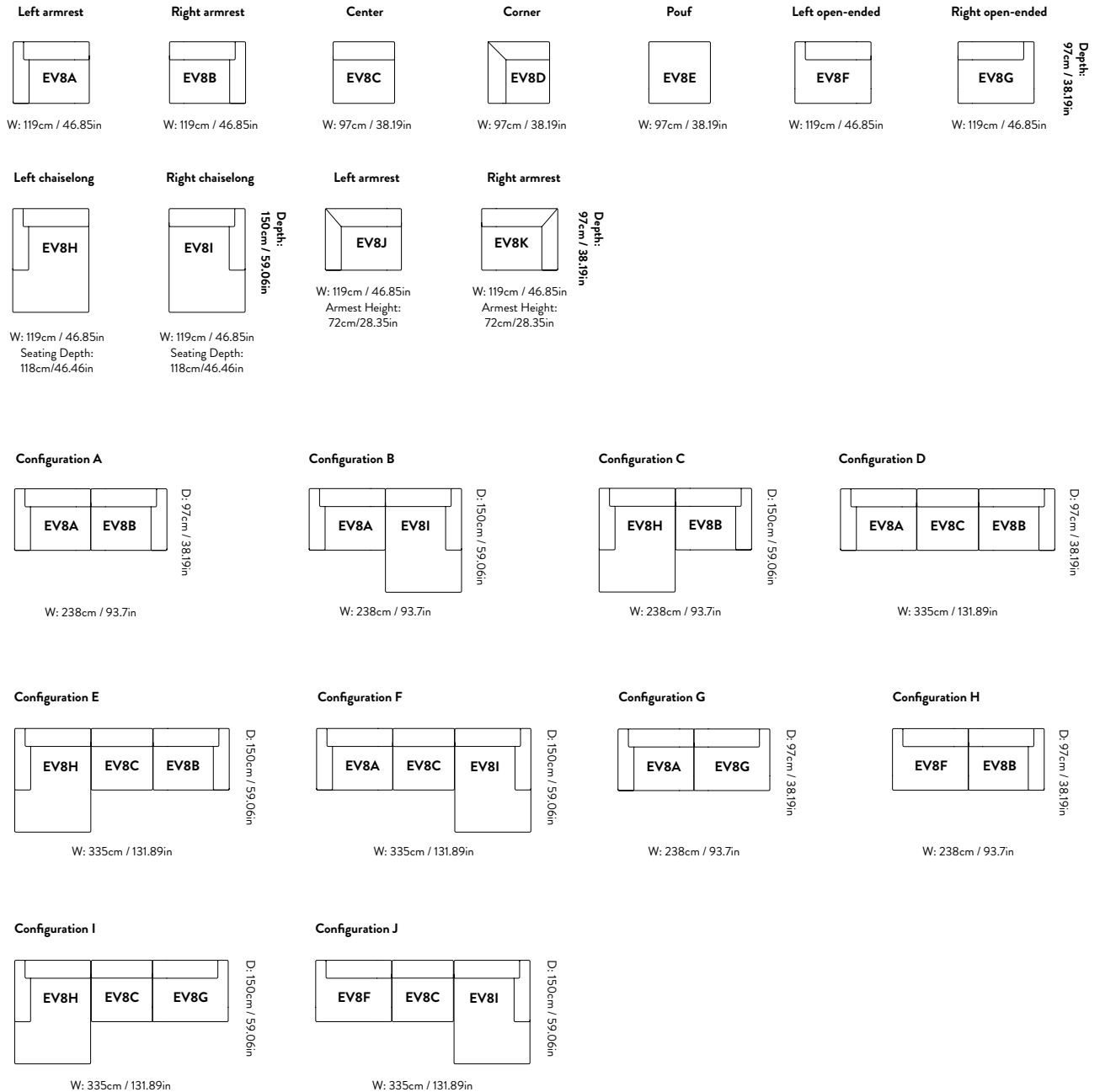
W: 131cm / 51.6in

Develius Mellow ^{EV8A-EV8K} Edward van Vliet 2018



EV8 modules:

Seating Depth: 65cm / 25.59in, Seating Height: 44cm / 17.32in, Armrest Height: 60cm / 23.62in, Backrest Height: 72cm / 28.35in



Develius Mellow EV8A-EV8K

Edward van Vliet

2018



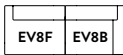
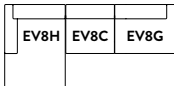
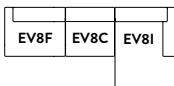
Product code	Variant	Upholstery	Lead time	PRICE EX. STATE TAX
A	Configuration A 	· Grain, Hot Madison, Remix, Re-wool	6-8 weeks	6.300
		· Barnum, Canvas, Fiord	6-8 weeks	6.750
		· Hallingdal, Mylla, Steelcut Quartet, Steelcut Trio	6-8 weeks	6.970
		· Acca, Beda, Cifrado, Ecriture, Vidar	6-8 weeks	8.100
		· Gentle, Karakorum, Sisu	6-8 weeks	11.700
		· Fuse	6-8 weeks	12.830
		· COM	6-8 weeks	6.300
B	Configuration B 	· Grain, Hot Madison, Remix, Re-wool	6-8 weeks	7.085
		· Barnum, Canvas, Fiord	6-8 weeks	7.535
		· Hallingdal, Mylla, Steelcut Quartet, Steelcut Trio	6-8 weeks	7.760
		· Acca, Beda, Cifrado, Ecriture, Vidar	6-8 weeks	8.885
		· Gentle, Karakorum, Sisu	6-8 weeks	12.715
		· Fuse	6-8 weeks	13.955
		· COM	6-8 weeks	7.085
C	Configuration C 	· Grain, Hot Madison, Remix, Re-wool	6-8 weeks	7.085
		· Barnum, Canvas, Fiord	6-8 weeks	7.535
		· Hallingdal, Mylla, Steelcut Quartet, Steelcut Trio	6-8 weeks	7.760
		· Acca, Beda, Cifrado, Ecriture, Vidar	6-8 weeks	8.885
		· Gentle, Karakorum, Sisu	6-8 weeks	12.715
		· Fuse	6-8 weeks	13.955
		· COM	6-8 weeks	7.085
D	Configuration D 	· Grain, Hot Madison, Remix, Re-wool	6-8 weeks	9.000
		· Barnum, Canvas, Fiord	6-8 weeks	9.675
		· Hallingdal, Mylla, Steelcut Quartet, Steelcut Trio	6-8 weeks	10.005
		· Acca, Beda, Cifrado, Ecriture, Vidar	6-8 weeks	11.475
		· Gentle, Karakorum, Sisu	6-8 weeks	16.425
		· Fuse	6-8 weeks	18.005
		· COM	6-8 weeks	9.000
E	Configuration E 	· Grain, Hot Madison, Remix, Re-wool	6-8 weeks	9.785
		· Barnum, Canvas, Fiord	6-8 weeks	10.460
		· Hallingdal, Mylla, Steelcut Quartet, Steelcut Trio	6-8 weeks	10.795
		· Acca, Beda, Cifrado, Ecriture, Vidar	6-8 weeks	12.260
		· Gentle, Karakorum, Sisu	6-8 weeks	17.440
		· Fuse	6-8 weeks	19.130
		· COM	6-8 weeks	9.785
F	Configuration F 	· Grain, Hot Madison, Remix, Re-wool	6-8 weeks	9.785
		· Barnum, Canvas, Fiord	6-8 weeks	10.460
		· Hallingdal, Mylla, Steelcut Quartet, Steelcut Trio	6-8 weeks	10.795
		· Acca, Beda, Cifrado, Ecriture, Vidar	6-8 weeks	12.260
		· Gentle, Karakorum, Sisu	6-8 weeks	17.440
		· Fuse	6-8 weeks	19.130
		· COM	6-8 weeks	9.785
G	Configuration G 	· Grain, Hot Madison, Remix, Re-wool	6-8 weeks	6.185
		· Barnum, Canvas, Fiord	6-8 weeks	6.750
		· Hallingdal, Mylla, Steelcut Quartet, Steelcut Trio	6-8 weeks	6.970
		· Acca, Beda, Cifrado, Ecriture, Vidar	6-8 weeks	7.875
		· Gentle, Karakorum, Sisu	6-8 weeks	11.135
		· Fuse	6-8 weeks	12.265
		· COM	6-8 weeks	6.185

Develius Mellow ^{EV8A-EV8K}

Edward van Vliet

2018



Product code	Variant	Upholstery	Lead time	PRICE EX. STATE TAX
H	Configuration H 	· Grain, Hot Madison, Remix, Re-wool	6-8 weeks	6.185
		· Barnum, Canvas, Fiord	6-8 weeks	6.750
		· Hallingdal, Mylla, Steelcut Quartet, Steelcut Trio	6-8 weeks	6.970
		· Acca, Beda, Cifrado, Ecriture, Vidar	6-8 weeks	7.875
		· Gentle, Karakorum, Sisu	6-8 weeks	11.135
		· Fuse	6-8 weeks	12.265
		· COM	6-8 weeks	6.185
I	Configuration I 	· Grain, Hot Madison, Remix, Re-wool	6-8 weeks	9.670
		· Barnum, Canvas, Fiord	6-8 weeks	10.460
		· Hallingdal, Mylla, Steelcut Quartet, Steelcut Trio	6-8 weeks	10.795
		· Acca, Beda, Cifrado, Ecriture, Vidar	6-8 weeks	12.035
		· Gentle, Karakorum, Sisu	6-8 weeks	16.875
		· Fuse	6-8 weeks	18.565
		· COM	6-8 weeks	9.670
J	Configuration J 	· Grain, Hot Madison, Remix, Re-wool	6-8 weeks	9.670
		· Barnum, Canvas, Fiord	6-8 weeks	10.460
		· Hallingdal, Mylla, Steelcut Quartet, Steelcut Trio	6-8 weeks	10.795
		· Acca, Beda, Cifrado, Ecriture, Vidar	6-8 weeks	12.035
		· Gentle, Karakorum, Sisu	6-8 weeks	16.875
		· Fuse	6-8 weeks	18.565
		· COM	6-8 weeks	9.670

* Fabric usage is based on a 140cm roll



Made using FSC® certified wood, supporting responsible environmental, social and economical management of the world's forests. Visit www.fsc.org

Material: Wooden frame, no-sag springs, HR foam, Duvet of shredded HR foam and polyester wadding. Inner upholstery of canvas. Metal brackets for connecting modules.

Removable cover. Please refer to the 'Spare Parts' section.

COM must be approved by &Tradition to ensure suitability for upholstery.

Develius and Develius Mellow are not available in leather.



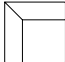

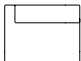
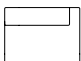
Felt gliders installed as standard.

Develius Mellow EV8A-EV8K

Edward van Vliet

2018



Product code	Variant	Upholstery	Lead time	Weight	PRICE EX. STATE TAX
EV8A	Left armrest  Fabric usage: 4.0 m*	· Grain, Hot Madison, Remix, Re-wool	6-8 weeks	40.30 kg	3.150
		· Barnum, Canvas, Fiord	6-8 weeks	40.30 kg	3.375
		· Hallingdal, Mylla, Steelcut Quartet, Steelcut Trio	6-8 weeks	40.30 kg	3.490
		· Acca, Beda, Cifrado, Ecriture, Vidar	6-8 weeks	40.30 kg	4.050
		· Gentle, Karakorum, Sisu	6-8 weeks	40.30 kg	5.850
		· Fuse	6-8 weeks	40.30 kg	6.415
		· COM	6-8 weeks	40.30 kg	3.150
EV8B	Right armrest  Fabric usage: 4.0 m*	· Grain, Hot Madison, Remix, Re-wool	6-8 weeks	40.80 kg	3.150
		· Barnum, Canvas, Fiord	6-8 weeks	40.80 kg	3.375
		· Hallingdal, Mylla, Steelcut Quartet, Steelcut Trio	6-8 weeks	40.80 kg	3.490
		· Acca, Beda, Cifrado, Ecriture, Vidar	6-8 weeks	40.80 kg	4.050
		· Gentle, Karakorum, Sisu	6-8 weeks	40.80 kg	5.850
		· Fuse	6-8 weeks	40.80 kg	6.415
		· COM	6-8 weeks	40.80 kg	3.150
EV8C	Center  Fabric usage: 3.2 m*	· Grain, Hot Madison, Remix, Re-wool	6-8 weeks	32.00 kg	2.700
		· Barnum, Canvas, Fiord	6-8 weeks	32.00 kg	2.925
		· Hallingdal, Mylla, Steelcut Quartet, Steelcut Trio	6-8 weeks	32.00 kg	3.040
		· Acca, Beda, Cifrado, Ecriture, Vidar	6-8 weeks	32.00 kg	3.375
		· Gentle, Karakorum, Sisu	6-8 weeks	32.00 kg	4.725
		· Fuse	6-8 weeks	32.00 kg	5.175
		· COM	6-8 weeks	32.00 kg	2.700
EV8D	Corner  Fabric usage: 3.7 m*	· Grain, Hot Madison, Remix, Re-wool	6-8 weeks	35.80 kg	3.150
		· Barnum, Canvas, Fiord	6-8 weeks	35.80 kg	3.375
		· Hallingdal, Mylla, Steelcut Quartet, Steelcut Trio	6-8 weeks	35.80 kg	3.490
		· Acca, Beda, Cifrado, Ecriture, Vidar	6-8 weeks	35.80 kg	4.050
		· Gentle, Karakorum, Sisu	6-8 weeks	35.80 kg	5.850
		· Fuse	6-8 weeks	35.80 kg	6.415
		· COM	6-8 weeks	35.80 kg	3.150
EV8E	Pouf  Fabric usage: 2.2 m*	· Grain, Hot Madison, Remix, Re-wool	6-8 weeks	22.00 kg	2.365
		· Barnum, Canvas, Fiord	6-8 weeks	22.00 kg	2.590
		· Hallingdal, Mylla, Steelcut Quartet, Steelcut Trio	6-8 weeks	22.00 kg	2.700
		· Acca, Beda, Cifrado, Ecriture, Vidar	6-8 weeks	22.00 kg	2.815
		· Gentle, Karakorum, Sisu	6-8 weeks	22.00 kg	3.490
		· Fuse	6-8 weeks	22.00 kg	3.825
		· COM	6-8 weeks	22.00 kg	2.365
EV8F	Left open-ended  Fabric usage: 3.6 m*	· Grain, Hot Madison, Remix, Re-wool	6-8 weeks	36.40 kg	3.040
		· Barnum, Canvas, Fiord	6-8 weeks	36.40 kg	3.375
		· Hallingdal, Mylla, Steelcut Quartet, Steelcut Trio	6-8 weeks	36.40 kg	3.490
		· Acca, Beda, Cifrado, Ecriture, Vidar	6-8 weeks	36.40 kg	3.825
		· Gentle, Karakorum, Sisu	6-8 weeks	36.40 kg	5.290
		· Fuse	6-8 weeks	36.40 kg	5.850
		· COM	6-8 weeks	36.40 kg	3.040
EV8G	Right open-ended  Fabric usage: 3.6 m*	· Grain, Hot Madison, Remix, Re-wool	6-8 weeks	36.80 kg	3.040
		· Barnum, Canvas, Fiord	6-8 weeks	36.80 kg	3.375
		· Hallingdal, Mylla, Steelcut Quartet, Steelcut Trio	6-8 weeks	36.80 kg	3.490
		· Acca, Beda, Cifrado, Ecriture, Vidar	6-8 weeks	36.80 kg	3.825
		· Gentle, Karakorum, Sisu	6-8 weeks	36.80 kg	5.290
		· Fuse	6-8 weeks	36.80 kg	5.850
		· COM	6-8 weeks	36.80 kg	3.040


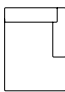
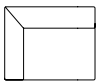
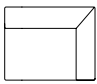
* Fabric usage is based on a 140cm roll

Develius Mellow EV8A-EV8K

Edward van Vliet

2018



Product code	Variant	Upholstery	Lead time	Weight	PRICE EX. STATE TAX
EV8H	Left Chaiselong  Fabric usage: 4.7 m*	· Grain, Hot Madison, Remix, Re-wool	6-8 weeks	54.80 kg	3.040
		· Barnum, Canvas, Fiord	6-8 weeks	54.80 kg	3.375
		· Hallingdal, Mylla, Steelcut Quartet, Steelcut Trio	6-8 weeks	54.80 kg	3.490
		· Acca, Beda, Cifrado, Ecriture, Vidar	6-8 weeks	54.80 kg	3.825
		· Gentle, Karakorum, Sisu	6-8 weeks	54.80 kg	5.290
		· Fuse	6-8 weeks	54.80 kg	5.850
		· COM	6-8 weeks	54.80 kg	3.040
EV8I	Right Chaiselong  Fabric usage: 4.7 m*	· Grain, Hot Madison, Remix, Re-wool	6-8 weeks	55.30 kg	3.040
		· Barnum, Canvas, Fiord	6-8 weeks	55.30 kg	3.375
		· Hallingdal, Mylla, Steelcut Quartet, Steelcut Trio	6-8 weeks	55.30 kg	3.490
		· Acca, Beda, Cifrado, Ecriture, Vidar	6-8 weeks	55.30 kg	3.825
		· Gentle, Karakorum, Sisu	6-8 weeks	55.30 kg	5.290
		· Fuse	6-8 weeks	55.30 kg	5.850
		· COM	6-8 weeks	55.30 kg	3.040
EV8J	Left armrest  Fabric usage: 4.2 m*	· Grain, Hot Madison, Remix, Re-wool	6-8 weeks	44.00 kg	3.150
		· Barnum, Canvas, Fiord	6-8 weeks	44.00 kg	3.375
		· Hallingdal, Mylla, Steelcut Quartet, Steelcut Trio	6-8 weeks	44.00 kg	3.490
		· Acca, Beda, Cifrado, Ecriture, Vidar	6-8 weeks	44.00 kg	4.050
		· Gentle, Karakorum, Sisu	6-8 weeks	44.00 kg	5.850
		· Fuse	6-8 weeks	44.00 kg	6.415
		· COM	6-8 weeks	44.00 kg	3.150
EV8K	Right armrest  Fabric usage: 4.2 m*	· Grain, Hot Madison, Remix, Re-wool	6-8 weeks	44.50 kg	3.150
		· Barnum, Canvas, Fiord	6-8 weeks	44.50 kg	3.375
		· Hallingdal, Mylla, Steelcut Quartet, Steelcut Trio	6-8 weeks	44.50 kg	3.490
		· Acca, Beda, Cifrado, Ecriture, Vidar	6-8 weeks	44.50 kg	4.050
		· Gentle, Karakorum, Sisu	6-8 weeks	44.50 kg	5.850
		· Fuse	6-8 weeks	44.50 kg	6.415
		· COM	6-8 weeks	44.50 kg	3.150

* Fabric usage is based on a 140cm roll



Made using FSC® certified wood, supporting responsible environmental, social and economical management of the world's forests. Visit www.fsc.org

Material: Wooden frame, no-sag springs, HR foam, Duvet of shredded HR foam and polyester wadding. Inner upholstery of canvas. Metal brackets for connecting modules.

Removable cover. Please refer to the 'Spare Parts' section.



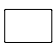
COM must be approved by &Tradition to ensure suitability for upholstery.

Develius and Develius Mellow are not available in leather.

Felt gliders installed as standard.

Develius ^{EV5-EV7} Edward van Vliet 2018



Product code	Variant	Upholstery	Lead time	Weight	PRICE EX. STATE TAX
EV5	Cushion, large 	· Grain, Hot Madison, Remix, Re-wool	6-8 weeks	5.50 kg	360
		· Barnum, Canvas, Fiord	6-8 weeks	5.50 kg	405
		· Hallingdal, Mylla, Steelcut Quartet, Steelcut Trio	6-8 weeks	5.50 kg	450
		· Acca, Beda, Cifrado, Ecriture, Vidar	6-8 weeks	5.50 kg	540
		· Gentle, Karakorum, Sisu, Zade*	6-8 weeks	5.50 kg	835
		· Fuse	6-8 weeks	5.50 kg	925
	Fabric usage: 1.3m*	· COM	6-8 weeks	5.50 kg	360
EV6	Cushion, medium 	· Grain, Hot Madison, Remix, Re-wool	6-8 weeks	2.70 kg	295
		· Barnum, Canvas, Fiord	6-8 weeks	2.70 kg	340
		· Hallingdal, Mylla, Steelcut Quartet, Steelcut Trio	6-8 weeks	2.70 kg	360
		· Acca, Beda, Cifrado, Ecriture, Vidar	6-8 weeks	2.70 kg	405
		· Gentle, Karakorum, Sisu, Zade*	6-8 weeks	2.70 kg	610
		· Fuse	6-8 weeks	2.70 kg	675
	Fabric usage: 0.8m*	· COM	6-8 weeks	2.70 kg	295
EV7	Cushion, small 	· Grain, Hot Madison, Remix, Re-wool	6-8 weeks	1.30 kg	225
		· Barnum, Canvas, Fiord	6-8 weeks	1.30 kg	250
		· Hallingdal, Mylla, Steelcut Quartet, Steelcut Trio	6-8 weeks	1.30 kg	270
		· Acca, Beda, Cifrado, Ecriture, Vidar	6-8 weeks	1.30 kg	295
		· Gentle, Karakorum, Sisu, Zade*	6-8 weeks	1.30 kg	430
		· Fuse	6-8 weeks	1.30 kg	475
	Fabric usage: 0.5m*	· COM	6-8 weeks	1.30 kg	225

* Fabric usage is based on a 140cm roll

* Please be aware that patterns may not align at seams or edges

Material: Feather filling

COM must be approved by &Tradition to ensure suitability for upholstery.

Develius and Develius Mellow are not available in leather.



w: 80cm / 31.5in

EV5



w: 50cm / 19.7in

EV6



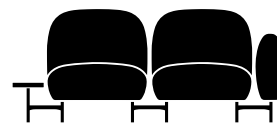
w: 50cm / 19.7in

EV7

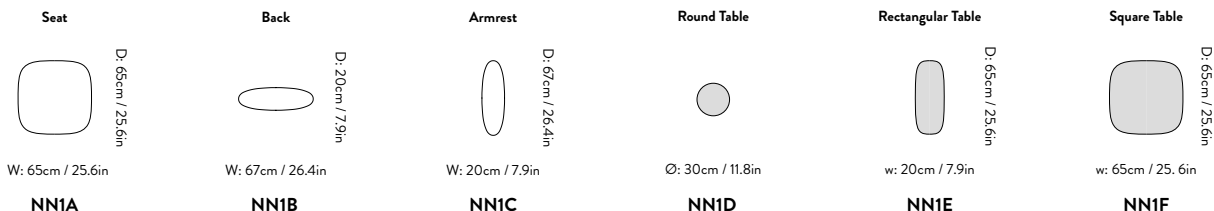
Isole NN1A-NN1G

Nendo & Luca Nichetto

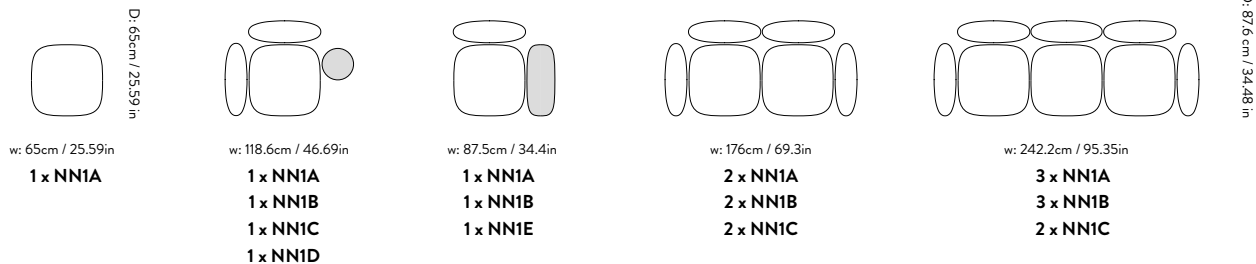
2017



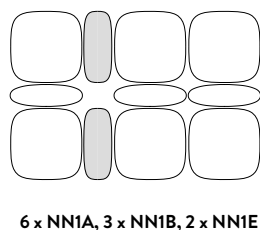
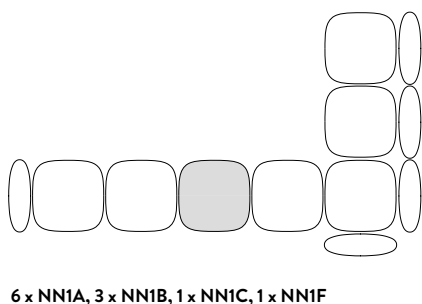
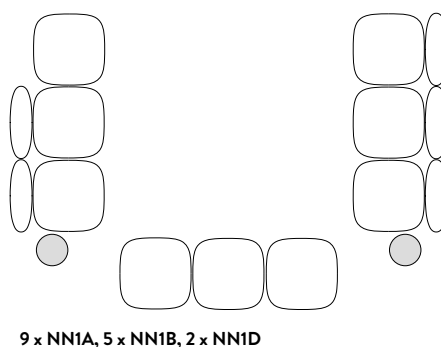
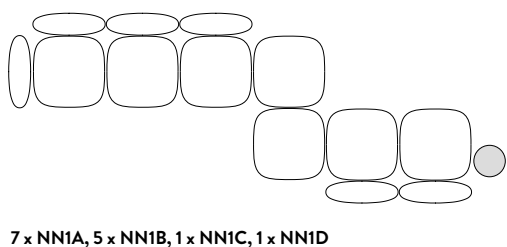
Dimensions



Simple configurations



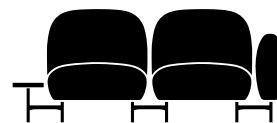
Configurations



Isole NN1A-NN1G

Nendo & Luca Nichetto

2017



Product no.	Upholstery	Product code	Product	Lead time	PRICE EX. STATE TAX
Fabric gr. 1	Grain, Hot Madison, Remix	NN1A	Seat	6-8 weeks	1.240
		NN1B	Back	6-8 weeks	1.015
		NN1C	Arm	6-8 weeks	900
Fabric gr. 2	Barnum, Canvas	NN1A	Seat	6-8 weeks	1.465
		NN1B	Back	6-8 weeks	1.240
		NN1C	Arm	6-8 weeks	1.015
Fabric gr. 3	Hallingdal, Mylla, Steelcut Quartet, Steelcut Trio	NN1A	Seat	6-8 weeks	1.575
		NN1B	Back	6-8 weeks	1.350
		NN1C	Arm	6-8 weeks	1.125
Fabric gr. 4	Acca, Cifrado, Ecriture, Vidar	NN1A	Seat	6-8 weeks	1.690
		NN1B	Back	6-8 weeks	1.465
		NN1C	Arm	6-8 weeks	1.240
Fabric gr. 5	Gentle, Karakorum, Sisu	NN1A	Seat	6-8 weeks	2.140
		NN1B	Back	6-8 weeks	1.690
		NN1C	Arm	6-8 weeks	1.465
Fabric gr. 6	Fuse	NN1A	Seat	6-8 weeks	2.365
		NN1B	Back	6-8 weeks	1.845
		NN1C	Arm	6-8 weeks	1.620

Product no.	Product	Product code	Variant	Lead time	PRICE EX. STATE TAX
134518	Round Table	NN1D	Fenix laminate Black	6-8 weeks	790
134519	Rectangular Table	NN1E		6-8 weeks	835
134520	Square Table	NN1F		6-8 weeks	1.240
133349	Power outlet incl bracket (US plug) (must be specified with the order)		Cord length: 30 cm		565

Product no.	Base	Product code	Lead time	PRICE EX. STATE TAX
134521	Optional floor fixing set (2 pcs in one set)	NN1G	6-8 weeks	225



Made using FSC® certified wood, supporting responsible environmental, social and economical management of the world's forests. Visit www.fsc.org

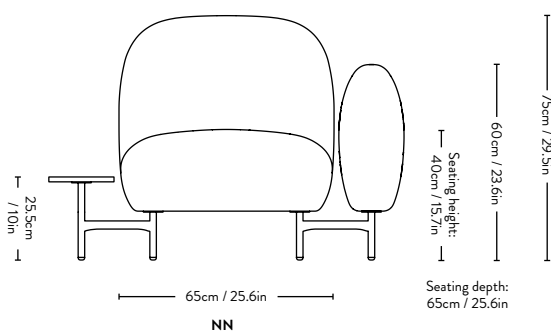
Base Variant

Steel Black

Material: Powder coated steel base, moulded HR foam seat, backrest and armrest. Black MDF table tops with nano laminate surface.





Modular system including base.

Plastic gliders installed as standard.



Hi Lo AV54 & AV55 Anderssen & Voll 2025



Product no.	Variant	Upholstery	Lead time	PRICE EX. STATE TAX
147225A235A178D402	 Configuration A	Grain 61229	6-8 weeks	6.750
147225A235A519D424		Mylla 0971	6-8 weeks	7.425
147225A235A187C082		Cifrado 0121	6-8 weeks	8.100
147225A235A057A971		Vidar 0386	6-8 weeks	8.100
147225A235A014A299		Gentle 0733	6-8 weeks	9.450
147227A235A178D402	 Configuration B	Grain 61229	6-8 weeks	10.125
147227A235A519D424		Mylla 0971	6-8 weeks	11.140
147227A235A187C082		Cifrado 0121	6-8 weeks	12.150
147227A235A057A971		Vidar 0386	6-8 weeks	12.150
147227A235A014A299		Gentle 0733	6-8 weeks	14.175
147229A235A178D402	 Configuration C	Grain 61229	6-8 weeks	13.950
147229A235A519D424		Mylla 0971	6-8 weeks	15.460
147229A235A187C082		Cifrado 0121	6-8 weeks	17.235
147229A235A057A971		Vidar 0386	6-8 weeks	17.235
147229A235A014A299		Gentle 0733	6-8 weeks	19.800
147231A235A178D402	 Configuration D	Grain 61229	6-8 weeks	17.325
147231A235A519D424		Mylla 0971	6-8 weeks	19.170
147231A235A187C082		Cifrado 0121	6-8 weeks	21.285
147231A235A057A971		Vidar 0386	6-8 weeks	21.285
147231A235A014A299		Gentle 0733	6-8 weeks	24.525

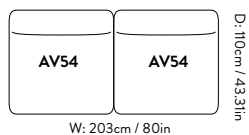


Made using FSC® certified wood, supporting responsible environmental, social and economical management of the world's forests. Visit www.fsc.org

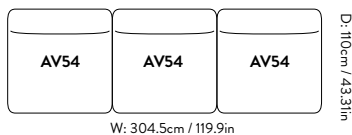
Material: Wood, HR foam, polyester wadding, fabric upholstery

Felt gliders installed as standard.

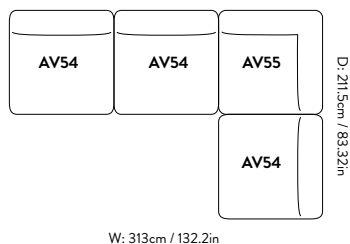
Configuration A



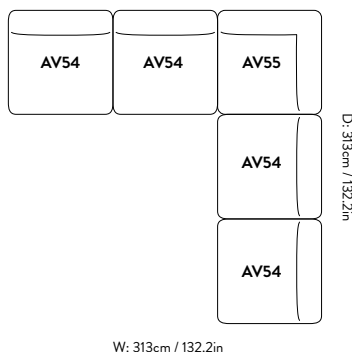
Configuration B



Configuration C



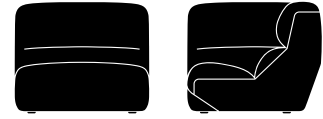
Configuration D



Hi Lo AV54 & AV55

Anderssen & Voll

2025



Product code	Variant	Upholstery	Lead time	Weight	PRICE EX. STATE TAX
AV54	Center	• Grain, Hot Madison, Remix, Re-wool	6-8 weeks	35.50 kg	3.375
		• Barnum, Canvas, Fiord	6-8 weeks	35.50 kg	3.600
		• Hallingdal, Mylla, Steelcut Quartet, Steelcut Trio	6-8 weeks	35.50 kg	3.715
		• Acca, Beda, Cifrado, Ecriture, Vidar	6-8 weeks	35.50 kg	4.050
		• Gentle, Karakorom, Sisu	6-8 weeks	35.50 kg	4.725
		• Fuse	6-8 weeks	35.50 kg	5.850
		• COM	6-8 weeks	35.50 kg	3.375
AV55	Corner	• Grain, Hot Madison, Remix, Re-wool	6-8 weeks	46.60 kg	3.825
		• Barnum, Canvas, Fiord	6-8 weeks	46.60 kg	4.185
		• Hallingdal, Mylla, Steelcut Quartet, Steelcut Trio	6-8 weeks	46.60 kg	4.320
		• Acca, Cifrado, Ecriture, Vidar	6-8 weeks	46.60 kg	5.085
		• Gentle, Karakorom, Sisu	6-8 weeks	46.60 kg	5.625
		• Fuse	6-8 weeks	46.60 kg	6.750
		• COM	6-8 weeks	46.60 kg	3.825



Made using FSC® certified wood, supporting responsible environmental, social and economical management of the world's forests. Visit www.fsc.org

Material: Wood, HR foam, polyester wadding, fabric upholstery.

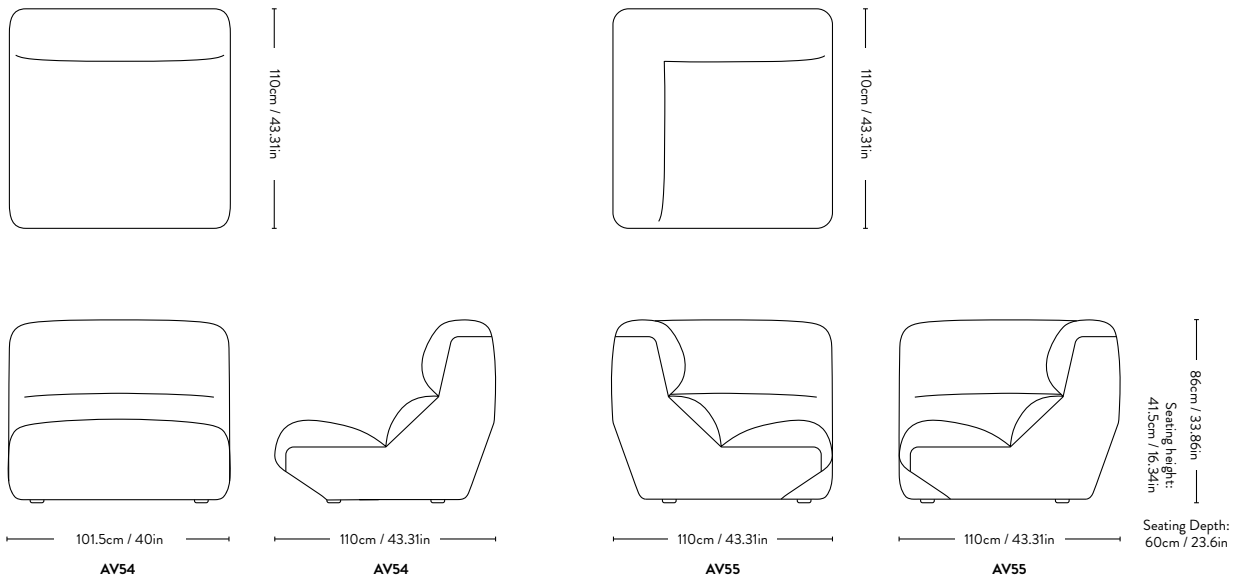
Fabric usage AV54: 4.9 meters based on 140 cm roll

Fabric usage AV55: 5.6 meters based on 140 cm roll

COM must be approved by &Tradition to ensure suitability for upholstery.

Hi Lo is not available in leather.

Felt gliders installed as standard.



Fly SC10 Space Copenhagen 2017



Product no.	Upholstery	Base	Colli qty.	Lead time	Weight	PRICE EX. STATE TAX
134538A237A018A397	Hot Madison 094	Oiled Oak	1 pc	2-4 weeks	22.00 kg	3.600
134539A237A018A396	Hot Madison 093	Smoked Oiled Oak	1 pc	2-4 weeks	22.00 kg	3.600

Fabric gr.	Upholstery	Lead time	Weight	PRICE EX. STATE TAX
Fabric gr. 1	Grain, Hot Madison, Remix, Re-Wool	6-8 weeks	22.00 kg	3.825
Fabric gr. 2	Barnum, Canvas, Fiord	6-8 weeks	22.00 kg	3.940
Fabric gr. 3	Hallingdal, Mylla, Steelcut Quartet, Steelcut Trio	6-8 weeks	22.00 kg	4.050
Fabric gr. 4	Acca, Cifrado, Ecriture, Vidar	6-8 weeks	22.00 kg	4.390
Fabric gr. 5	Gentle, Karakorum, Sisu, Zade*	6-8 weeks	22.00 kg	4.950
Fabric gr. 6	Fuse	6-8 weeks	22.00 kg	5.515
COM	Fabric	6-8 weeks	22.00 kg	3.825

Product no.	Add on	Lead time	Weight	PRICE EX. STATE TAX
133021	Fly high legs - Oiled Oak (providing a seating height of 46cm / 18.1in)	Stock item	1.50 kg	180
133022	Fly high legs - Smoked Oiled Oak (providing a seating height of 46cm / 18.1in)	Stock item	1.50 kg	180

* Please be aware that patterns may not align at seams or edges



Made using FSC® certified wood, supporting responsible environmental, social and economical management of the world's forests. Visit www.fsc.org

Frame	Variant
Oak	Oiled Oak, Smoked Oiled Oak

Material: Oiled oak frame and base. HR foam & feather pillows.

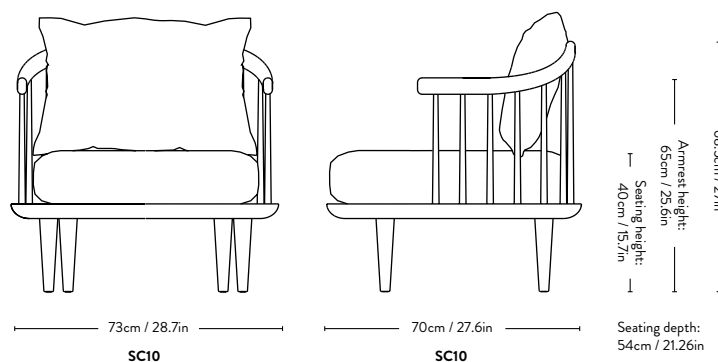
Fabric usage: 3 meters based on 140cm roll.

COM must be approved by &Tradition to ensure suitability for upholstery.

Fly SC10 is not available in leather.

Felt gliders installed as standard.

Separate cushions and pillows available. Please refer to the 'Spare Parts' section.



Fly SC1 Space Copenhagen 2013



Product no.	Upholstery	Base	Colli qty.	Lead time	Weight	PRICE EX. STATE TAX
134522A237A018A397	Hot Madison 094	Oiled Oak	1 pc	2-4 weeks	30.00 kg	3.825
134523A237A018A396	Hot Madison 093	Smoked Oiled Oak	1 pc	2-4 weeks	30.00 kg	3.825

Fabric gr.	Upholstery	Lead time	Weight	PRICE EX. STATE TAX
Fabric gr. 1	Grain, Hot Madison, Remix, Re-Wool	6-8 weeks	30.00 kg	4.050
Fabric gr. 2	Barnum, Canvas, Fiord	6-8 weeks	30.00 kg	4.500
Fabric gr. 3	Hallingdal, Mylla, Steelcut Quartet, Steelcut Trio	6-8 weeks	30.00 kg	4.615
Fabric gr. 4	Acca, Cifrado, Ecriture, Vidar	6-8 weeks	30.00 kg	4.950
Fabric gr. 5	Gentle, Karakorum, Sisu, Zade*	6-8 weeks	30.00 kg	5.625
Fabric gr. 6	Fuse	6-8 weeks	30.00 kg	6.190
COM	Fabric	6-8 weeks	30.00 kg	4.050

Product no.	Add on	Lead time	Weight	PRICE EX. STATE TAX
133021	Fly high legs - Oiled Oak (providing a seating height of 46cm / 18.1in)	Stock item	1.50 kg	180
133022	Fly high legs - Smoked Oiled Oak (providing a seating height of 46cm / 18.1in)	Stock item	1.50 kg	180

* Please be aware that patterns may not align at seams or edges



Made using FSC® certified wood, supporting responsible environmental, social and economical management of the world's forests. Visit www.fsc.org

Frame	Variant
Oak	Oiled Oak, Smoked Oiled Oak

Material: Oiled oak frame and base. HR foam & feather pillows.

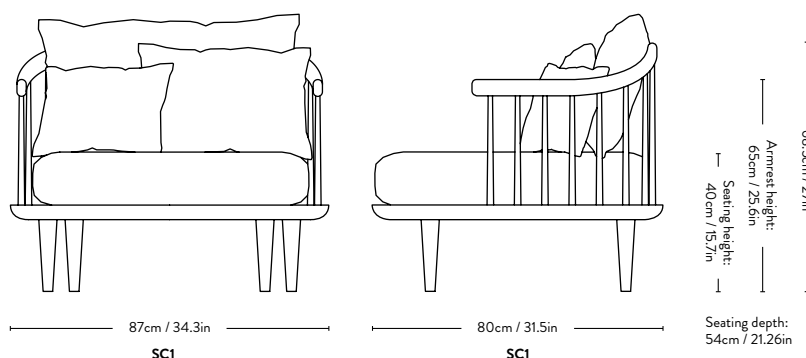
Fabric usage: 3.5 meters based on 140cm roll.

COM must be approved by &Tradition to ensure suitability for upholstery.

Fly SC1 is not available in leather.

Felt gliders installed as standard.

Separate cushions and pillows available. Please refer to the 'Spare Parts' section.



Fly SC2 Space Copenhagen 2013



Product no.	Upholstery	Base	Colli qty.	Lead time	Weight	PRICE EX. STATE TAX
134526A237A018A397	Hot Madison 094	Oiled Oak	1 pc	2-4 weeks	60.00 kg	7.540
134527A237A018A396	Hot Madison 093	Smoked Oiled Oak	1 pc	2-4 weeks	60.00 kg	7.540

Fabric gr.	Upholstery	Lead time	Weight	PRICE EX. STATE TAX
Fabric gr. 1	Grain, Hot Madison, Remix, Re-Wool	6-8 weeks	60.00 kg	7.540
Fabric gr. 2	Barnum, Canvas, Fiord	6-8 weeks	60.00 kg	8.215
Fabric gr. 3	Hallingdal, Mylla, Steelcut Quartet, Steelcut Trio	6-8 weeks	60.00 kg	8.440
Fabric gr. 4	Acca, Cifrado, Ecriture, Vidar	6-8 weeks	60.00 kg	8.890
Fabric gr. 5	Gentle, Karakorum, Sisu, Zade*	6-8 weeks	60.00 kg	10.465
Fabric gr. 6	Fuse	6-8 weeks	60.00 kg	11.590
COM	Fabric	6-8 weeks	60.00 kg	7.540

Product no.	Add on	Lead time	Weight	PRICE EX. STATE TAX
133021	Fly high legs - Oiled Oak (providing a seating height of 46cm / 18.1in)	Stock item	1.50 kg	180
133022	Fly high legs - Smoked Oiled Oak (providing a seating height of 46cm / 18.1in)	Stock item	1.50 kg	180

* Please be aware that patterns may not align at seams or edges



Made using FSC® certified wood, supporting responsible environmental, social and economical management of the world's forests. Visit www.fsc.org

Frame	Variant
Oak	Oiled Oak, Smoked Oiled Oak

Material: Oiled oak frame and base. HR foam & feather pillows.

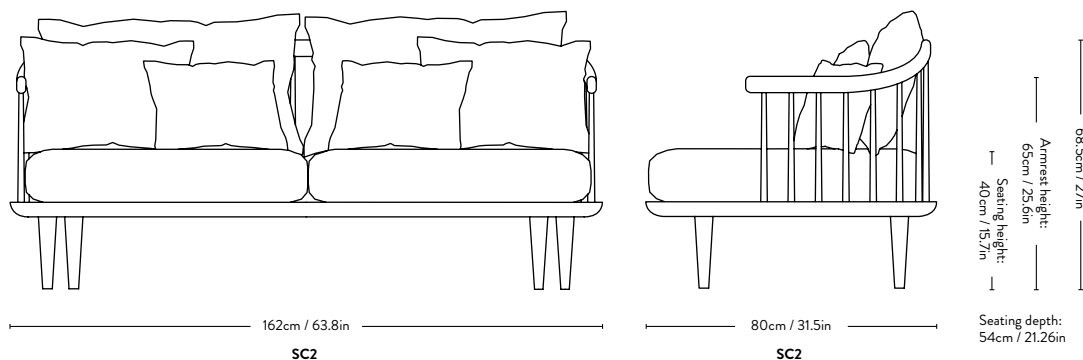
Fabric usage: 6.5 meters based on 140cm roll.

COM must be approved by &Tradition to ensure suitability for upholstery.

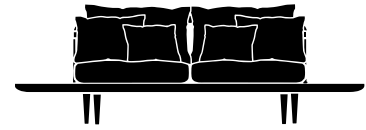
Fly SC2 is not available in leather.

Felt gliders installed as standard.

Separate cushions and pillows available. Please refer to the 'Spare Parts' section.



Fly SC3 Space Copenhagen 2013



Product no.	Upholstery	Base	Colli qty.	Lead time	Weight	PRICE EX. STATE TAX
134530A237A018A397	Hot Madison 094	Oiled Oak	1 pc	2-4 weeks	70.00 kg	8.215
134531A237A018A396	Hot Madison 093	Smoked Oiled Oak	1 pc	2-4 weeks	70.00 kg	8.215

Fabric gr.	Upholstery	Lead time	Weight	PRICE EX. STATE TAX
Fabric gr. 1	Grain, Hot Madison, Remix, Re-Wool	6-8 weeks	70.00 kg	8.215
Fabric gr. 2	Barnum, Canvas, Fiord	6-8 weeks	70.00 kg	8.890
Fabric gr. 3	Hallingdal, Mylla, Steelcut Quartet, Steelcut Trio	6-8 weeks	70.00 kg	9.115
Fabric gr. 4	Acca, Cifrado, Ecriture, Vidar	6-8 weeks	70.00 kg	9.565
Fabric gr. 5	Gentle, Karakorum, Sisu, Zade*	6-8 weeks	70.00 kg	11.140
Fabric gr. 6	Fuse	6-8 weeks	70.00 kg	12.265
COM	Fabric	6-8 weeks	70.00 kg	8.215

Product no.	Add on	Lead time	Weight	PRICE EX. STATE TAX
133021	Fly high legs - Oiled Oak (providing a seating height of 46cm / 18.1in)	Stock item	1.50 kg	180
133022	Fly high legs - Smoked Oiled Oak (providing a seating height of 46cm / 18.1in)	Stock item	1.50 kg	180

* Please be aware that patterns may not align at seams or edges



Made using FSC® certified wood, supporting responsible environmental, social and economical management of the world's forests. Visit www.fsc.org

Frame	Variant
Oak	Oiled Oak, Smoked Oiled Oak

Material: Oiled oak frame and base. HR foam & feather pillows.

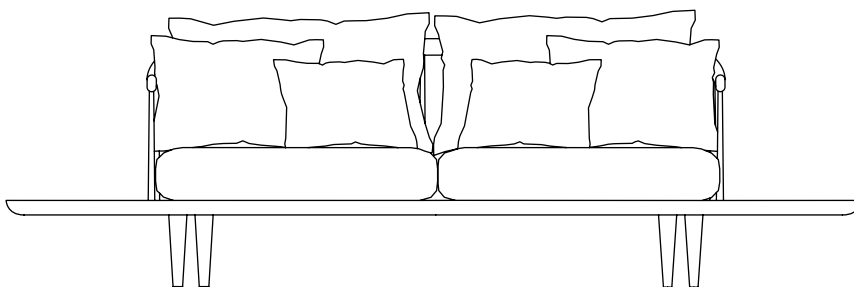
Fabric usage: 6.5 meters based on 140cm roll.

COM must be approved by &Tradition to ensure suitability for upholstery.

Fly SC3 is not available in leather.

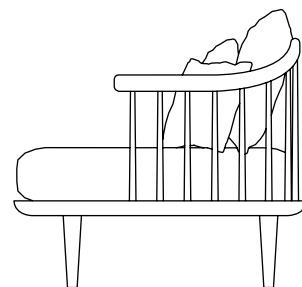
Felt gliders installed as standard.

Separate cushions and pillows available. Please refer to the 'Spare Parts' section.



240cm / 94.5in

SC3



80cm / 31.5in

SC3

68.5cm / 27in
Armrest height:
65cm / 25.6in
Seating height:
40cm / 15.7in

Seating depth:
54cm / 21.26in

Fly SC12 Space Copenhagen 2017



Product no.	Upholstery	Base	Colli qty.	Lead time	Weight	PRICE EX. STATE TAX
134542A237A018A397	Hot Madison 094	Oiled Oak	1 pc	6-8 weeks	80.00 kg	10.580
134543A237A018A396	Hot Madison 093	Smoked Oiled Oak	1 pc	6-8 weeks	80.00 kg	10.580

Fabric gr.	Upholstery	Lead time	Weight	PRICE EX. STATE TAX
Fabric gr. 1	Grain, Hot Madison, Remix, Re-Wool	6-8 weeks	80.00 kg	10.580
Fabric gr. 2	Barnum, Canvas, Fiord	6-8 weeks	80.00 kg	11.255
Fabric gr. 3	Hallingdal, Mylla, Steelcut Quartet, Steelcut Trio	6-8 weeks	80.00 kg	11.480
Fabric gr. 4	Acca, Cifrado, Ecriture, Vidar	6-8 weeks	80.00 kg	12.155
Fabric gr. 5	Gentle, Karakorum, Sisu, Zade*	6-8 weeks	80.00 kg	15.080
Fabric gr. 6	Fuse	6-8 weeks	80.00 kg	16.540
COM	Fabric	6-8 weeks	80.00 kg	10.580

Product no.	Add on	Lead time	Weight	PRICE EX. STATE TAX
133021	Fly high legs - Oiled Oak (providing a seating height of 46cm / 18.1in)	Stock item	1.50 kg	180
133022	Fly high legs - Smoked Oiled Oak (providing a seating height of 46cm / 18.1in)	Stock item	1.50 kg	180

* Please be aware that patterns may not align at seams or edges



Made using FSC® certified wood, supporting responsible environmental, social and economical management of the world's forests. Visit www.fsc.org

Frame	Variant
Oak	Oiled Oak, Smoked Oiled Oak

Material: Oiled oak frame and base. HR foam and feather pillows.

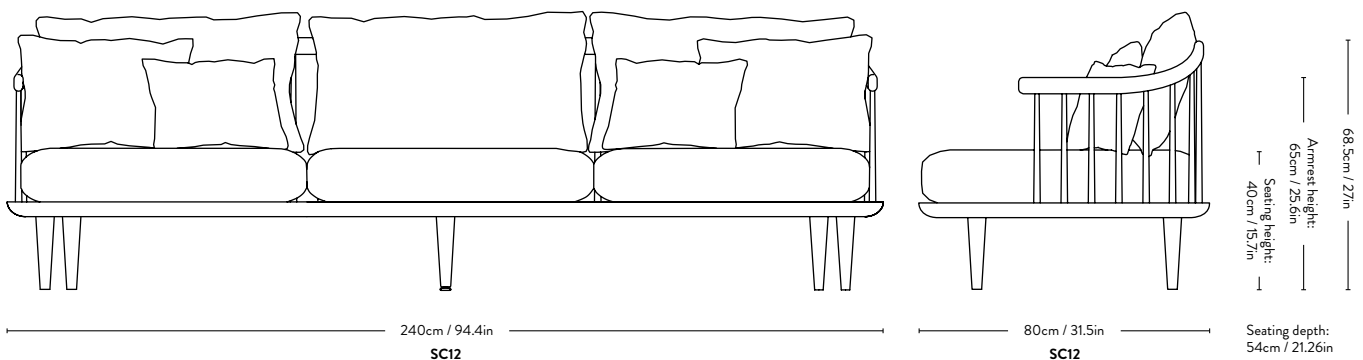
Fabric usage: 8 meters based on 140cm roll.

COM must be approved by &Tradition to ensure suitability for upholstery.

Fly SC12 is not available in leather.

Felt gliders installed as standard.

Separate cushions and pillows available. Please refer to the 'Spare Parts' section.



Fly SC9 Space Copenhagen 2014



Product no.	Upholstery	Base	Colli qty.	Lead time	Weight	PRICE EX. STATE TAX
134534A237A018A397	Hot Madison 094	Oiled Oak	1 pc	3-5 weeks	27.00 kg	2.025
134535A237A018A396	Hot Madison 093	Smoked Oiled Oak	1 pc	3-5 weeks	27.00 kg	2.025

Fabric gr.	Upholstery	Lead time	Weight	PRICE EX. STATE TAX
Fabric gr. 1	Grain, Hot Madison, Remix, Re-Wool	6-8 weeks	27.00 kg	2.250
Fabric gr. 2	Barnum, Canvas, Fiord	6-8 weeks	27.00 kg	2.475
Fabric gr. 3	Hallingdal, Mylla, Steelcut Quartet, Steelcut Trio	6-8 weeks	27.00 kg	2.590
Fabric gr. 4	Acca, Cifrado, Ecriture, Vidar	6-8 weeks	27.00 kg	2.700
Fabric gr. 5	Gentle, Karakorum, Sisu, Zade*	6-8 weeks	27.00 kg	3.150
Fabric gr. 6	Fuse	6-8 weeks	27.00 kg	3.490
COM	Fabric	6-8 weeks	27.00 kg	2.250

Product no.	Add on	Lead time	Weight	PRICE EX. STATE TAX
133021	Fly high legs - Oiled Oak (providing a seating height of 46cm / 18.1in)	Stock item	1.50 kg	180
133022	Fly high legs - Smoked Oiled Oak (providing a seating height of 46cm / 18.1in)	Stock item	1.50 kg	180

* Please be aware that patterns may not align at seams or edges



Made using FSC® certified wood, supporting responsible environmental, social and economical management of the world's forests. Visit www.fsc.org

Frame	Variant
Oak	Oiled Oak, Smoked Oiled Oak

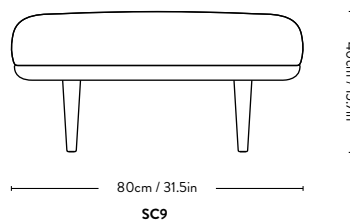
Material: Oiled oak base. HR foam & feather pillow.

Fabric usage: 1.8 meters based on 140cm roll.

COM must be approved by &Tradition to ensure suitability for upholstery.

Fly SC9 is not available in leather.

Felt gliders installed as standard.



Fly SC4 & SC5 Space Copenhagen 2013



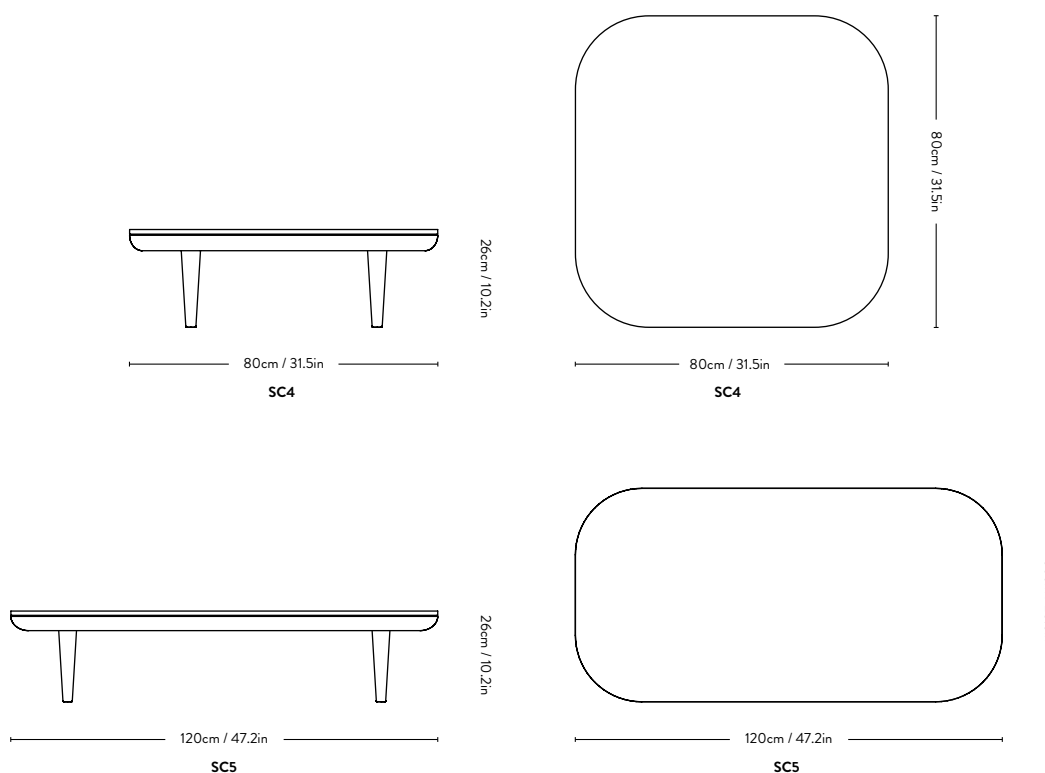
Product no.	Variant	Product code	Colli qty.	Lead time	Weight	PRICE EX. STATE TAX
133002A258	Oiled Oak base w. honed Bianco Carrara marble	SC4	1 pc	Stock item	37.00 kg	2.925
133003A336	Smoked Oiled Oak base w. honed Nero Marquina marble	SC4	1 pc	Stock item	37.00 kg	2.925
133006A258	Oiled Oak base w. honed Bianco Carrara marble	SC5	1 pc	Stock item	45.00 kg	3.150
133007A336	Smoked Oiled Oak base w. honed Nero Marquina marble	SC5	1 pc	Stock item	45.00 kg	3.150

Product no.	Add on	Lead time	Weight	PRICE EX. STATE TAX
133021	Fly high legs - Oiled Oak (providing a tabletop height of 32cm / 12.6in)	Stock item	1.50 kg	180
133022	Fly high legs - Smoked Oiled Oak (providing a tabletop height of 32cm / 12.6in)	Stock item	1.50 kg	180



Made using FSC® certified wood, supporting responsible environmental, social and economical management of the world's forests. Visit www.fsc.org

Material: Solid oiled oak base with marble table top.



Fly^{SC11} Space Copenhagen 2017

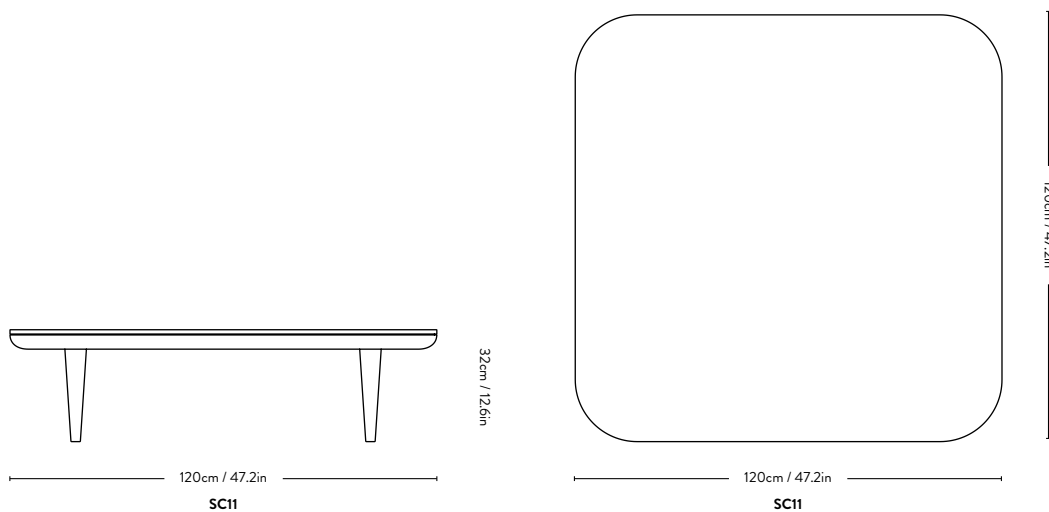


Product no.	Variant	Colli qty.	Lead time	Weight	PRICE EX. STATE TAX
133010A258	Oiled Oak base w. honed Bianco Carrara marble	1 pc	Stock item	102.00 kg	5.625
133011A336	Smoked Oiled Oak base w. honed Nero Marquina marble	1 pc	Stock item	102.00 kg	5.625



Made using FSC® certified wood, supporting responsible environmental, social and economical management of the world's forests. Visit www.fsc.org

Material: Solid oiled oak base with marble table top.



Sett LN11, LN12 & LN13

Luca Nichetto

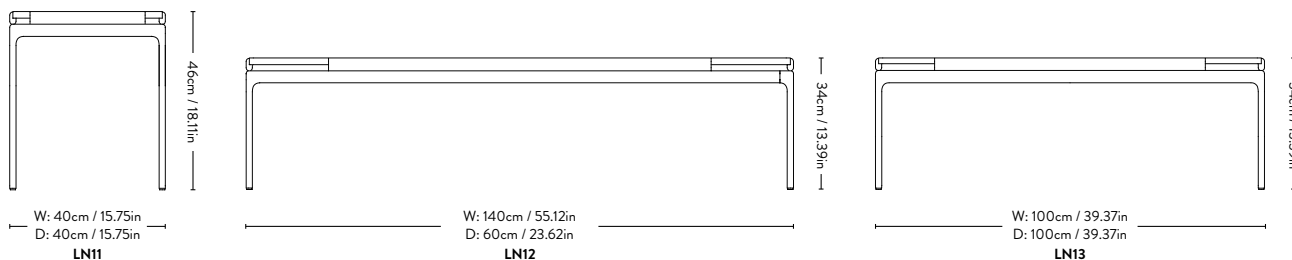
2024



Product no.	Product	Product code	Variant	Colli qty.	Lead time	Weight	PRICE EX. STATE TAX
133055A428	Side table	LN11	Smoked cast glass w. Dark Chrome	1 pc	Stock item	12.30 kg	2.025
133054A258	Side table	LN11	Bianco Carrera Marble w. Dark Chrome	1 pc	Stock item	10.30 kg	1.575
133054A427	Side table	LN11	Verde Guatemala Marble w. Dark Chrome	1 pc	Stock item	10.30 kg	1.575
133059A428	Coffee table	LN12	Smoked cast glass w. Dark Chrome	1 pc	Stock item	53.60 kg	4.275
133058A258	Coffee table	LN12	Bianco Carrera Marble w. Dark Chrome	1 pc	Stock item	44.60 kg	3.375
133058A427	Coffee table	LN12	Verde Guatemala Marble w. Dark Chrome	1 pc	Stock item	44.60 kg	3.375
133063A428	Coffee table	LN13	Smoked cast glass w. Dark Chrome	1 pc	Stock item	63.60 kg	4.500
133062A258	Coffee table	LN13	Bianco Carrera Marble w. Dark Chrome	1 pc	Stock item	51.60 kg	3.600
133062A427	Coffee table	LN13	Verde Guatemala Marble w. Dark Chrome	1 pc	Stock item	51.60 kg	3.600

Material: Die cast, aluminium with cast glass or marble table top

Spare parts available. Please refer to the 'Spare Parts' section.



In Between SK13, SK14 & SK15

Sami Kallio

2014



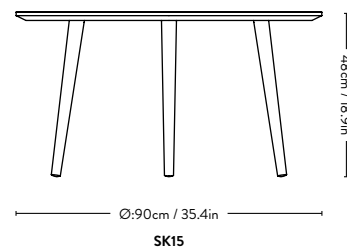
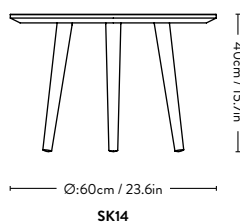
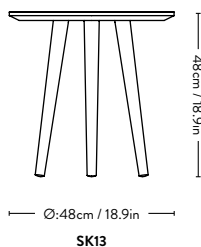
Product no.	Variant	Size	Product code	Colli qty.	Lead time	Weight	PRICE EX. STATE TAX
132973A003	Smoked Oiled Oak	Ø48cm, H:48cm	SK13	1 pc	Stock item	4.00 kg	565
132973A004	Oiled Oak	Ø48cm, H:48cm	SK13	1 pc	Stock item	4.00 kg	565
132973A002	Black Lacquered Oak	Ø48cm, H:48cm	SK13	1 pc	Stock item	4.00 kg	565
132974A003	Smoked Oiled Oak	Ø60cm, H:40cm	SK14	1 pc	Stock item	5.90 kg	745
132974A004	Oiled Oak	Ø60cm, H:40cm	SK14	1 pc	Stock item	5.90 kg	745
132974A002	Black Lacquered Oak	Ø60cm, H:40cm	SK14	1 pc	Stock item	5.90 kg	745
132975A003	Smoked Oiled Oak	Ø90cm, H:48cm	SK15	1 pc	Stock item	13.00 kg	1.015
132975A004	Oiled Oak	Ø90cm, H:48cm	SK15	1 pc	Stock item	13.00 kg	1.015
132975A002	Black Lacquered Oak	Ø90cm, H:48cm	SK15	1 pc	Stock item	13.00 kg	1.015



Made using FSC® certified wood, supporting responsible environmental, social and economical management of the world's forests. Visit www.fsc.org

Materials Variant

Table top	Solid Oak
Table legs	Solid Oak



In Between ^{SK23 & SK24} Sami Kallio 2014



Product no.	Variant	Size	Product code	Colli qty.	Lead time	Weight	PRICE EX. STATE TAX
132976A002	Black Lacquered Oak	W: 110cm, D: 50cm, H: 48cm	SK23	1 pc	Stock item	11.30 kg	1.015
132976A004	Oiled Oak	W: 110cm, D: 50cm H: 48cm	SK23	1 pc	Stock item	11.30 kg	1.015
132976A003	Smoked Oiled Oak	W: 110cm, D: 50cm H: 48cm	SK23	1 pc	Stock item	11.30 kg	1.015
132977A002	Black Lacquered Oak	W: 90cm, D: 90cm, H: 40cm	SK24	1 pc	Stock item	16.80 kg	1.060
132977A004	Oiled Oak	W: 90cm, D: 90cm, H: 40cm	SK24	1 pc	Stock item	16.80 kg	1.060
132977A003	Smoked Oiled Oak	W: 90cm, D: 90cm, H: 40cm	SK24	1 pc	Stock item	16.80 kg	1.060



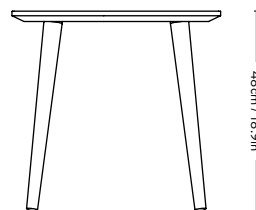
Made using FSC® certified wood, supporting responsible environmental, social and economical management of the world's forests. Visit www.fsc.org

Materials Variant

Table top	Solid Oak
Table legs	Solid Oak



W: 110cm / 43.3in
SK23

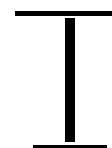


D: 50cm / 19.7in
SK23



90cm / 35.4in
SK24

In Between ^{SK16} Sami Kallio 2014



Product no.	Table top	Size	Base	Base size	Colli qty.	Lead time	Weight	PRICE EX. STATE TAX
132641A382A081	Nero Ingo Fenix Nano	60x70cm,	Black	Ø45 cm /	1 pc	Stock item	21.00 kg	1.060
132642A382A081	Laminate (0720)	H:73cm	Bronzed	5 cm	1 pc	Stock item	21.00 kg	1.060
132639A336	Nero Marquina	60x70cm,	Black	Ø45 cm /	1 pc	Stock item	45.50 kg	1.575
132640A336		H:73cm	Bronzed	5 cm	1 pc	Stock item	45.50 kg	1.575
132639A258	Bianco Carrara	60x70cm,	Black	Ø45 cm /	1 pc	Stock item	45.50 kg	1.575
132640A258		H:73cm	Bronzed	5 cm	1 pc	Stock item	45.50 kg	1.575
132639A427	Verde Guatemala	60x70cm,	Black	Ø45 cm /	1 pc	Stock item	45.50 kg	1.575
132640A427		H:73cm	Bronzed	5 cm	1 pc	Stock item	45.50 kg	1.575
132669	Forbo Linoleum	60x70cm,	Black	Ø45 cm /	1 pc	8 weeks		1.240
132670		H:73cm	Bronzed	5 cm	1 pc	8 weeks		1.240
132670	Fenix NTM nano laminate	60x70cm,	Black	Ø45 cm /	1 pc	8 weeks		1.285
132642		H:73cm	Bronzed	5 cm	1 pc	8 weeks		1.285
132671	Oak veneer	60x70cm,	Black	Ø45 cm /	1 pc	8 weeks		1.330
132672		H:73cm	Bronzed	5 cm	1 pc	8 weeks		1.330

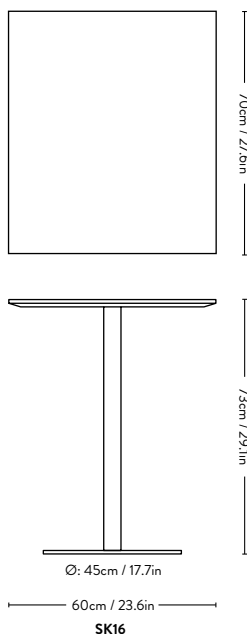


Fenix Nano Laminate made using FSC® certified wood, supporting responsible environmental, social and economical management of the world's forests. Visit www.fsc.org

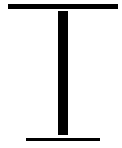
Materials Variant

Table top Forbo Linoleum, Fenix NTM nano laminate, Oak veneer, Nero Marquina, Bianco Carrara or Verde Guatemala Marble
Center base Matt Black, Bronzed Metal

Felt gliders installed as standard.
Bevelled table top edge.



In Between ^{SK17} Sami Kallio 2014



Product no.	Table top	Size	Base	Base size	Colli qty.	Lead time	Weight	PRICE EX. STATE TAX
132643A382A081	Nero Ingo Fenix Nano	Ø60cm,	Black	Ø45 cm /	1 pc	Stock item	21.00 kg	1.060
132644A382A081	Laminate (0720)	H:73cm	Bronzed	5 cm	1 pc	Stock item	21.00 kg	1.060
132651	Nero Marquina, Bianco Carr-	Ø:60cm,	Black	Ø45 cm /	1 pc	Stock item		1.575
132652	ara, Verde Guatemala	H:73cm	Bronzed	5 cm	1 pc	Stock item		1.575
132653	Nero Marquina, Bianco Carr-	Ø:70cm	Black	Ø45 cm /	1 pc	Stock item		1.800
132654	ara, Verde Guatemala	H:73cm	Bronzed	5 cm	1 pc	Stock item		1.800
	Forbo Linoleum	Ø:60-70cm,	Black	Ø45 cm /	1 pc	8 weeks		1.240
		H:73cm	Bronzed	5 cm	1 pc	8 weeks		1.240
	Fenix NTM nano laminate	Ø:60-70cm,	Black	Ø45 cm /	1 pc	8 weeks		1.285
		H:73cm	Bronzed	5 cm	1 pc	8 weeks		1.285
	Oak veneer	Ø:60-70cm,	Black	Ø45 cm /	1 pc	8 weeks		1.330
		H:73cm	Bronzed	5 cm	1 pc	8 weeks		1.330

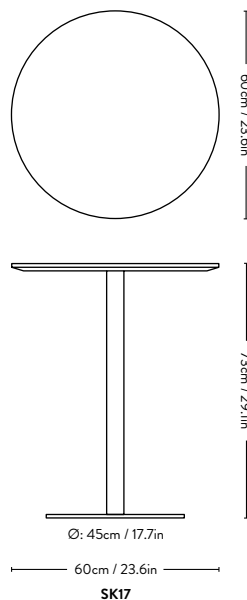


Fenix Nano Laminate made using FSC® certified wood, supporting responsible environmental, social and economical management of the world's forests. Visit www.fsc.org

Materials Variant

Table top	Forbo Linoleum, Fenix NTM nano laminate, Oak veneer, Nero Marquina, Bianco Carrara or Verde Guatemala Marble
Center base	Matt Black, Bronzed Metal

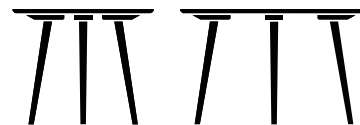
Felt gliders installed as standard.
Bevelled table top edge.



In Between SK3 & SK4

Sami Kallio

2014



Product no.	Variant	Size	Product code	Base	Colli qty.	Lead time	Weight	PRICE EX. STATE TAX
132849A003	Smoked Oiled Oak	Ø90cm	SK3	3 legs	1 pc	Stock item	19.00 kg	1.620
132849A004	Oiled Oak	Ø90cm	SK3	3 legs	1 pc	Stock item	19.00 kg	1.620
132849A002	Black Lacquered Oak	Ø90cm	SK3	3 legs	1 pc	Stock item	19.00 kg	1.620
132849A001	Oiled Walnut	Ø90cm	SK3	4 legs	1 pc	Stock item	19.00 kg	2.930
132850A003	Smoked Oiled Oak	Ø120cm	SK4	4 legs	1 pc	Stock item	31.00 kg	2.590
132850A004	Oiled Oak	Ø120cm	SK4	4 legs	1 pc	Stock item	31.00 kg	2.590
132850A002	Black Lacquered Oak	Ø120cm	SK4	4 legs	1 pc	Stock item	31.00 kg	2.590
132850A001	Oiled Walnut	Ø120cm	SK4	4 legs	1 pc	Stock item	31.00 kg	4.500



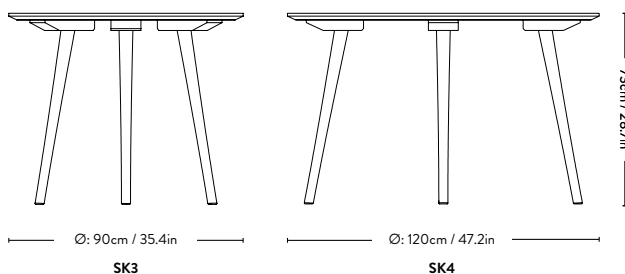
Smoked Oiled Oak, Oiled Oak and Black Laquered Oak made using FSC® certified wood, supporting responsible environmental, social and economical management of the world's forests. Visit www.fsc.org

Materials Variant

Table top	Solid Oak, Solid Walnut
Table legs	Solid Oak, Solid Walnut

Adjustable gliders installed as standard.

Bevelled table top edge.



In Between Made to order Sami Kallio 2014

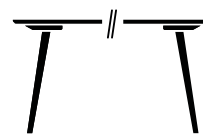


Table top	Base	Size	Base	Lead time	PRICE EX. STATE TAX
Forbo Linoleum	Smoked Oak, Oak, Black Lacquered Oak	Ø:80-90cm, H:73cm	3 legs	8 weeks	2.140
		Ø:91-100cm, H:73cm	3 legs		2.140
		Ø:101-110cm, H:73cm	4 legs		2.250
		Ø:111-120cm, H:73cm	4 legs		2.475
		Ø:121-130cm, H:73cm	4 legs		2.925
		Ø:131-140cm, H:73cm	4 legs		3.375
		Ø:141-150cm, H:73cm	4 legs		3.600
Fenix NTM nano laminate	Smoked Oak, Oak, Black Lacquered Oak	Ø:80-90cm, H:73cm	3 legs	8 weeks	2.250
		Ø:91-100cm, H:73cm	3 legs		2.365
		Ø:101-110cm, H:73cm	4 legs		2.475
		Ø:111-120cm, H:73cm	4 legs		2.700
		Ø:121-130cm, H:73cm	4 legs		3.510
		Ø:131-140cm, H:73cm	4 legs		3.600
		Ø:141-150cm, H:73cm	4 legs		3.825
Oak veneer	Smoked Oak, Oak, Black Lacquered Oak	Ø:80-90cm, H:73cm	3 legs	8 weeks	2.250
		Ø:91-100cm, H:73cm	3 legs		2.475
		Ø:101-110cm, H:73cm	4 legs		2.590
		Ø:111-120cm, H:73cm	4 legs		2.815
		Ø:121-130cm, H:73cm	4 legs		3.265
		Ø:131-140cm, H:73cm	4 legs		3.715
		Ø:141-150cm, H:73cm	4 legs		3.940

Product no.	Variant	Lead time	PRICE EX. STATE TAX
	Cut out for cable management	8 weeks	115
133353	Cable access set / Black	8 weeks	585
133354	Cable access set / Silver	8 weeks	585



EU Ecolabel certified, validating high standards of durability, circular design, and responsible use of chemicals. Please contact our sales team for a list of EU Ecolabel compliant combinations.

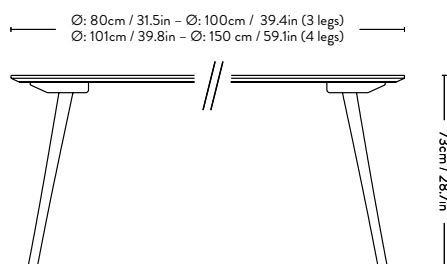
Table top materials Variant

MDF Table top	Forbo Linoleum, Fenix NTM nano laminate, Oak Veneer in Smoked, Clear or Black Lacquer.
Legs	Clear Lacquered oak, Smoked Lacquered or Black Lacquered Oak.

Edge material: ABS edges for linolium and laminate, Clear Lacquered oak, Black Lacquered Oak or Smoked Lacquered Oak for oak veneer.

*Please note that the cable access is not preinstalled upon delivery

Adjustable gliders installed as standard.
Bevelled table top edge.



In Between ^{SK5 & SK6} Sami Kallio 2014



Product no.	Variant	Size	Product code	Colli qty.	Lead time	Weight	PRICE EX. STATE TAX
132851A361A085	Smoked Lacquered Oak	200x90cm	SK5	1 pc	Stock item	52.40 kg	2.925
132852A277A086	Lacquered Oak	200x90cm	SK5	1 pc	Stock item	52.40 kg	2.925
132853A262A087	Black Lacquered Oak	200x90cm	SK5	1 pc	Stock item	52.40 kg	2.925
132854A361A085	Smoked Lacquered Oak	250x100cm	SK6	1 pc	Stock item	67.10 kg	3.375
132855A277A086	Lacquered Oak	250x100cm	SK6	1 pc	Stock item	67.10 kg	3.375
132856A262A087	Black Lacquered Oak	250x100cm	SK6	1 pc	Stock item	67.10 kg	3.375



EU Ecolabel certified, validating high standards of durability, circular design, and responsible use of chemicals. Please contact our sales team for a list of EU Ecolabel compliant combinations.



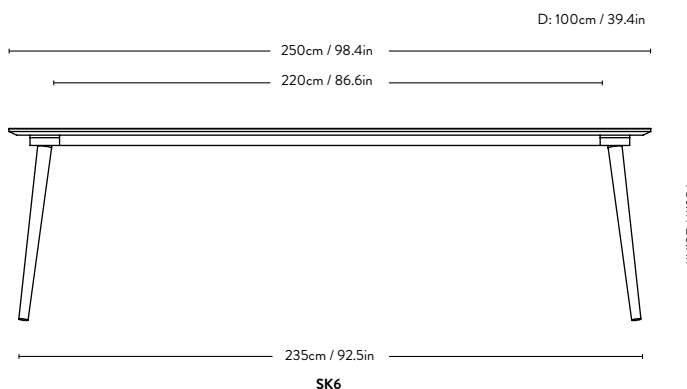
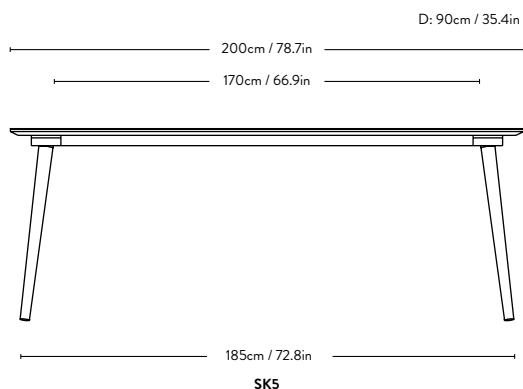
Made using FSC® certified wood, supporting responsible environmental, social and economical management of the world's forests. Visit www.fsc.org

Materials Variant

Table top	Oak Veneer on both sides and edges
Table legs	Solid Oak

Adjustable gliders installed as standard.

Bevelled table top edge.



In Between Made to order

Sami Kallio

2014

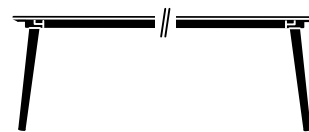


Table top	Base	Size	Lead time	PRICE EX. STATE TAX
Forbo Linoleum	Smoked Oak, Oak, Black Lacquered Oak	L: 160-200cm, W: 90cm, H: 73cm	8 weeks	3.285
		L: 201-250cm x W: 90cm x H: 73cm		4.165
		L: 251-300cm x W: 90cm x H: 73cm		4.615
		L: 201-250cm, W: 100cm, H: 73cm	8 weeks	4.165
		L: 251-300cm x W: 100cm x H: 73cm		4.840
		Fenix NTM nano laminate	Smoked Oak, Oak, Black Lacquered Oak	L: 160-200cm, W: 90cm, H: 73cm
L: 201-250cm x W: 90cm x H: 73cm				4.275
L: 251-300cm x W: 90cm x H: 73cm				4.725
L: 201-250cm, W: 100cm, H: 73cm	8 weeks			4.390
L: 251-300cm x W: 100cm x H: 73cm				4.950
Oak veneer	Smoked Oak, Oak, Black Lacquered Oak			L: 160-200cm, W: 90cm, H: 73cm
		L: 201-250cm x W: 90cm x H: 73cm		4.390
		L: 251-300cm x W: 90cm x H: 73cm		4.840
		L: 201-250cm, W: 100cm, H: 73cm	8 weeks	4.500
		L: 251-300cm x W: 100cm x H: 73cm		5.065
		Product no.	Variant	
	Cut out for cable management		8 weeks	115
133353	Cable access set / Black		8 weeks	585
133354	Cable access set / Silver		8 weeks	585



EU Ecolabel certified, validating high standards of durability, circular design, and responsible use of chemicals. Please contact our sales team for a list of EU Ecolabel compliant combinations.

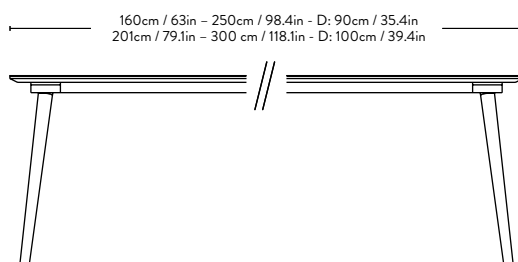
Table top materials	Variant
Forbo Linoleum	Black (4023), Grey (4132), Beige (4176)
Fenix NTM nano laminate	Nero Ingo (0720), Grigio Bromo (0724), Beige Luxor (0719), Bianca Male (0029)
Oak veneer	Clear Lacquered oak, Smoked Lacquered, Black Lacquered Oak

Edge material: ABS edges for linolium and laminate, Clear Lacquered oak, Black Lacquered Oak or Smoked Lacquered Oak for oak veneer.

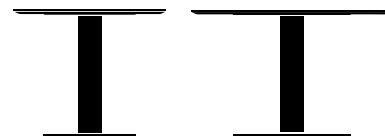
Legs: Clear Lacquered oak, Smoked Lacquered or Black Lacquered Oak.

*Please note that the cable access is not preinstalled upon delivery

Adjustable gliders installed as standard.
Bevelled table top edge.



In Between ^{SK11 & SK12} Sami Kallio 2014



Product no.	Table top	Table top size	Base	Base size	Product code	Colli qty.	Lead time	Weight	PRICE EX. STATE TAX
132635A003 132636A003	Smoked Oiled Oak	Ø90cm	Black Bronzed	Ø55 cm / 10 cm	SK11	1 pc	Stock item	46.60 kg	1.795 1.795
132635A004 132636A004	Oiled Oak	Ø90cm	Black Bronzed	Ø55 cm / 10 cm	SK11	1 pc	Stock item	46.60 kg	1.795 1.795
132635A002 132636A002	Black Lacquered Oak	Ø90cm	Black Bronzed	Ø55 cm / 10 cm	SK11	1 pc	Stock item	46.60 kg	1.795 1.795
132635A001 132636A001	Oiled Walnut	Ø90cm	Black Bronzed	Ø55 cm / 10 cm	SK11	1 pc	Stock item	46.60 kg	2.925 2.925
132645A336 132646A336	Nero Marquina	Ø90cm	Black Bronzed	Ø55 cm / 10 cm	SK11	1 pc	Stock item	71.00 kg	2.475 2.475
132645A258 132646A258	Bianco Carrara	Ø90cm	Black Bronzed	Ø55 cm / 10 cm	SK11	1 pc	Stock item	71.00 kg	2.475 2.475
132645A427 132646A427	Verde Guatemala	Ø90cm	Black Bronzed	Ø55 cm / 10 cm	SK11	1 pc	Stock item	71.00 kg	2.475 2.475
132637A003 132638A003	Smoked Oiled Oak	Ø120cm	Black Bronzed	Ø70 cm / 15 cm	SK12	1 pc	Stock item	68.50 kg	2.925 2.925
132637A004 132638A004	Oiled Oak	Ø120cm	Black Bronzed	Ø70 cm / 15 cm	SK12	1 pc	Stock item	68.50 kg	2.925 2.925
132637A002 132638A002	Black Lacquered Oak	Ø120cm	Black Bronzed	Ø70 cm / 15 cm	SK12	1 pc	Stock item	68.50 kg	2.925 2.925
132637A001 132638A001	Oiled Walnut	Ø120cm	Black Bronzed	Ø70 cm / 15 cm	SK12	1 pc	Stock item	68.50 kg	4.495 4.495
132647A336 132648A336	Nero Marquina	Ø120cm	Black Bronzed	Ø70 cm / 15 cm	SK12	1 pc	Stock item	117.00 kg	4.050 4.050
132647A258 132648A258	Bianco Carrara	Ø120cm	Black Bronzed	Ø70 cm / 15 cm	SK12	1 pc	Stock item	117.00 kg	4.050 4.050
132647A427 132648A427	Verde Guatemala	Ø120cm	Black Bronzed	Ø70 cm / 15 cm	SK12	1 pc	Stock item	117.00 kg	4.050 4.050

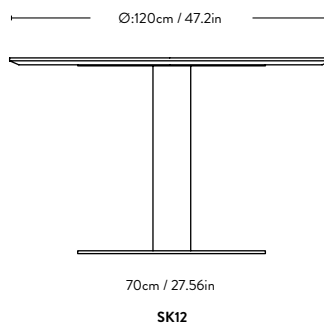
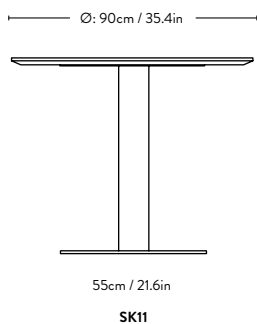


Smoked Oiled Oak, Oiled Oak and Black Lacquered Oak made using made using FSC® certified wood, supporting responsible environmental, social and economical management of the world's forests. Visit www.fsc.org

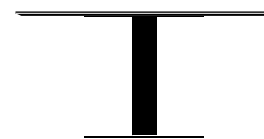
Materials Variant

Table top	Solid Oak, Solid Walnut, Nero Marquina, Bianco Carrara or Verde Guatemala Marble
Center base	Matt Black, Bronzed Metal

Felt gliders installed as standard.
Bevelled table top edge.



In Between SK20 & Made to order Sami Kallio 2014



Product no.	Table top	Table top size	Base	Base size	Colli qty.	Lead time	Weight	PRICE EX. STATE TAX
132649A336 132650A336	Nero Marquina	Ø150cm	Black Bronzed	Ø70 cm / 15 cm	1 pc	Stock item	152.00 kg	6.190 6.190
132649A258 132650A258	Bianco Carrara	Ø150cm	Black Bronzed	Ø70 cm / 15 cm	1 pc	Stock item	152.00 kg	6.190 6.190
132649A427 132650A427	Verde Guatemala	Ø150cm	Black Bronzed	Ø70 cm / 15 cm	1 pc	Stock item	152.00 kg	6.190 6.190

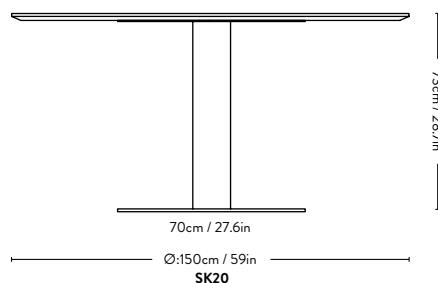
Product no.	Table top	Table top size	Base	Base size	Lead time	PRICE EX. STATE TAX
132655 132656	Nero Marquina, Bianco Carrara, Verde Guatemala	Ø80cm	Black Bronzed	Ø55cm / 10cm	8-10 weeks	2.140 2.140
132657 132658	Nero Marquina, Bianco Carrara, Verde Guatemala	Ø100cm	Black Bronzed	Ø55cm / 10cm	8-10 weeks	2.700 2.700
132659 132660	Nero Marquina, Bianco Carrara, Verde Guatemala	Ø110cm	Black Bronzed	Ø55cm / 10cm	8-10 weeks	3.040 3.040
132661 132662	Nero Marquina, Bianco Carrara, Verde Guatemala	Ø130cm	Black Bronzed	Ø70cm / 14cm	8-10 weeks	4.725 4.725
132663 132662	Nero Marquina, Bianco Carrara, Verde Guatemala	Ø140cm	Black Bronzed	Ø70cm / 14cm	8-10 weeks	5.400 5.400

Materials Variant

Table top Nero Marquina, Bianco Carrara or Verde Guatemala Marble
Center base Matt Black, Bronzed Metal

Felt gliders installed as standard.

Bevelled table top edge.



In Between ^{Made to order} Sami Kallio 2014

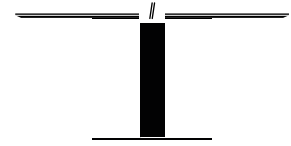


Table top	Size	Base	Base size	Lead time	PRICE EX. STATE TAX
Forbo Linoleum	Ø:71-90cm, H:73cm	Black, Bronzed	Ø55 cm / 10 cm	8 weeks	1.800
	Ø:91-100cm, H:73cm		Ø55 cm / 10 cm	8 weeks	2.140
	Ø:101-110cm, H:73cm		Ø55 cm / 10 cm	8 weeks	2.250
	Ø:111-120cm, H:73cm		Ø70 cm / 15 cm	8 weeks	2.475
	Ø:121-130cm, H:73cm		Ø70 cm / 15 cm	8 weeks	2.925
	Ø:131-140cm, H:73cm		Ø70 cm / 15 cm	8 weeks	3.375
	Ø:141-150cm, H:73cm		Ø70 cm / 15 cm	8 weeks	3.600
Fenix NTM nano laminate	Ø:71-90cm, H:73cm	Black, Bronzed	Ø55 cm / 10 cm	8 weeks	1.915
	Ø:91-100cm, H:73cm		Ø55 cm / 10 cm	8 weeks	2.365
	Ø:101-110cm, H:73cm		Ø55 cm / 10 cm	8 weeks	2.475
	Ø:111-120cm, H:73cm		Ø70 cm / 15 cm	8 weeks	2.700
	Ø:121-130cm, H:73cm		Ø70 cm / 15 cm	8 weeks	3.150
	Ø:131-140cm, H:73cm		Ø70 cm / 15 cm	8 weeks	3.600
	Ø:141-150cm, H:73cm		Ø70 cm / 15 cm	8 weeks	3.825
Oak veneer	Ø:71-90m, H:73cm	Black, Bronzed	Ø55 cm / 10 cm	8 weeks	2.025
	Ø:91-100cm, H:73cm		Ø55 cm / 10 cm	8 weeks	2.475
	Ø:101-110cm, H:73cm		Ø55 cm / 10 cm	8 weeks	2.590
	Ø:111-120cm, H:73cm		Ø70 cm / 15 cm	8 weeks	2.815
	Ø:121-130cm, H:73cm		Ø70 cm / 15 cm	8 weeks	3.375
	Ø:131-140cm, H:73cm		Ø70 cm / 15 cm	8 weeks	3.715
	Ø:141-150cm, H:73cm		Ø70 cm / 15 cm	8 weeks	3.940



Made using FSC® certified wood, supporting responsible environmental, social and economical management of the world's forests. Visit www.fsc.org

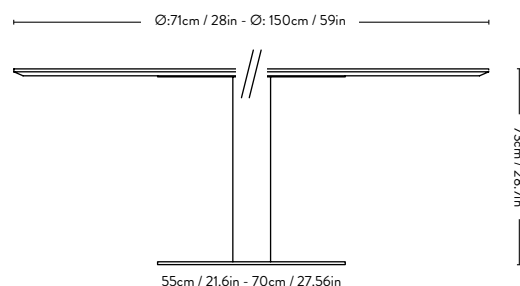
Materials

Variant

MDF Table top	Forbo Linoleum, Fenix NTM nano laminate, Oak Veneer in Smoked, Clear or Black Lacquer.
Center base	Matt Black, Bronzed Metal

Edge material: ABS edges for linolium and laminate, Clear Lacquered oak, Black Lacquered Oak or Smoked Lacquered Oak for oak veneer.

Felt gliders installed as standard.
Bevelled table top edge.



In Between Made to order Sami Kallio 2014



Product no.	Table top	Size	Base	Base size	Lead time	PRICE EX. STATE TAX
132673	Forbo Linoleum	L:120cm, W:60cm,	Black	Ø45 cm / 5 cm **	8 weeks	2.025
132674		H:73cm	Bronzed		8 weeks	2.025
132679	Forbo Linoleum	L:140cm, W:70cm,	Black	Ø55 cm / 10 cm **	8 weeks	2.230
132680		H:73cm	Bronzed		8 weeks	2.230
	Forbo Linoleum	L:160-200cm, W:90cm,	Black	Ø70 cm / 15 cm **	8 weeks	3.375
		H:73cm	Bronzed		8 weeks	3.375
	Forbo Linoleum	L:201-250cm, W:100cm,	Black	Ø70 cm / 15 cm **	8 weeks	4.165
		H:73cm	Bronzed		8 weeks	4.165
132677	Fenix NTM nano laminate	L:120cm, W:60cm,	Black	Ø45 cm / 5 cm **	8 weeks	2.070
132678		H:73cm	Bronzed		8 weeks	2.070
132683	Fenix NTM nano laminate	L:140cm, W:70cm,	Black	Ø55 cm / 10 cm **	8 weeks	2.275
132684		H:73cm	Bronzed		8 weeks	2.275
	Fenix NTM nano laminate	L:160-200cm, W:90cm,	Black	Ø70 cm / 15 cm **	8 weeks	3.600
		H:73cm	Bronzed		8 weeks	3.600
	Fenix NTM nano laminate	L:201-250cm, W:100cm,	Black	Ø70 cm / 15 cm **	8 weeks	4.390
		H:73cm	Bronzed		8 weeks	4.390
132675	Oak veneer	L:120cm, W:60cm,	Black	Ø45 cm / 5 cm **	8 weeks	2.115
132676		H:73cm	Bronzed		8 weeks	2.115
132681	Oak veneer	L:140cm, W:70cm,	Black	Ø55 cm / 10 cm **	8 weeks	2.365
132682		H:73cm	Bronzed		8 weeks	2.365
	Oak veneer	L:160-200cm, W:90cm,	Black	Ø70 cm / 15 cm **	8 weeks	3.715
		H:73cm	Bronzed		8 weeks	3.715
	Oak veneer	L:201-250cm, W:100cm,	Black	Ø70 cm / 15 cm **	8 weeks	4.500
		H:73cm	Bronzed		8 weeks	4.500



Made using FSC® certified wood, supporting responsible environmental, social and economical management of the world's forests. Visit www.fsc.org

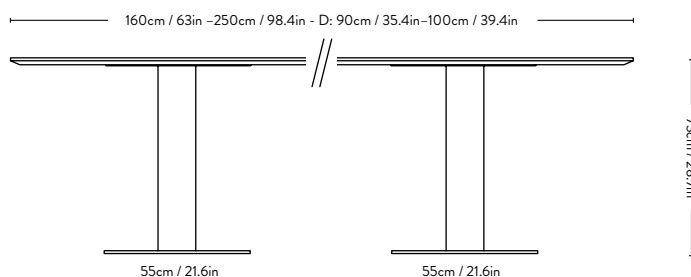
Table top materials Variant

MDF Table top	Forbo Linoleum, Fenix NTM nano laminate, Oak Veneer in Smoked, Clear or Black Lacquer.
Legs	Clear Lacquered oak, Smoked Lacquered or Black Lacquered Oak.

Edge material: ABS edges for linolium and laminate, Clear Lacquered oak, Black Lacquered Oak or Smoked Lacquered Oak for oak veneer.

**Two Columns

Felt gliders installed as standard.
Bevelled table top edge.



In Between Made to order Sami Kallio 2014

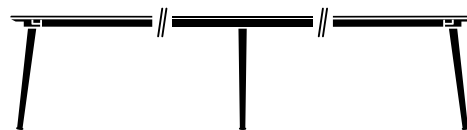


Table top	Base	Size	Lead time	PRICE EX. STATE TAX
Forbo Linoleum	Smoked Oak, Oak, Black Oak	L: 301-400 x W:90 x H73 cm	8 weeks	5.850
		L: 401-500 x W:90 x H73 cm		6.920
		L: 301-400 x W:100 x H73 cm	8 weeks	6.975
		L: 401-500 x W:100 x H73 cm		8.325
		L: 301-400 x W:110 x H73 cm	8 weeks	7.965
		L: 401-500 x W:110 x H73 cm		9.365
		L: 301-400 x W:120 x H73 cm	8 weeks	8.775
		L: 401-500 x W:120 x H73 cm		10.430
Fenix NTM nano laminate	Smoked Oak, Oak, Black Oak	L: 301-400 x W:90 x H73 cm	8 weeks	5.965
		L: 401-500 x W:90 x H73 cm		7.145
		L: 301-400 x W:100 x H73 cm	8 weeks	7.200
		L: 401-500 x W:100 x H73 cm		8.550
		L: 301-400 x W:110 x H73 cm	8 weeks	8.190
		L: 401-500 x W:110 x H73 cm		9.590
		L: 301-400 x W:120 x H73 cm	8 weeks	9.005
		L: 401-500 x W:120 x H73 cm		10.680
Oak veneer	Smoked Oak, Oak, Black Oak	L: 301-400 x W:90 x H73 cm	8 weeks	6.075
		L: 401-500 x W:90 x H73 cm		7.315
		L: 301-400 x W:100 x H73 cm	8 weeks	7.425
		L: 401-500 x W:100 x H73 cm		8.775
		L: 301-400 x W:110 x H73 cm	8 weeks	8.440
		L: 401-500 x W:110 x H73 cm		9.845
		L: 301-400 x W:120 x H73 cm	8 weeks	9.455
		L: 401-500 x W:120 x H73 cm		10.915

Product no.	Variant	Lead time	PRICE EX. STATE TAX
133353	Cut out for cable management	8 weeks	115
	Cable access set / Black	8 weeks	585
	Cable access set / Silver	8 weeks	585



Veneer and Fenix Nano Laminate made using FSC® certified wood, supporting responsible environmental, social and economical management of the world's forests. Visit www.fsc.org

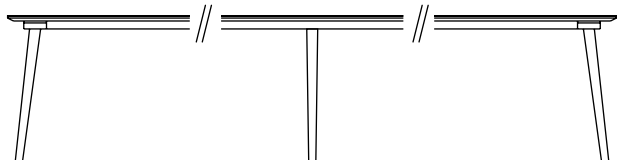
Table top materials	Variant
MDF Table top	Forbo Linoleum, Fenix NTM nano laminate, Oak Veneer in Smoked, Clear or Black Lacquer.
Legs	Clear Lacquered oak, Smoked Lacquered or Black Lacquered Oak.

Edge material: ABS edges for linolium and laminate, Clear Lacquered oak, Black Lacquered Oak or Smoked Lacquered Oak for oak veneer.

*Please note that table tops over 300cm in length are comprised of 2 parts
*Please note that the cable access is not preinstalled upon delivery

Adjustable gliders installed as standard.
Bevelled table top edge.

W: 301cm / 118.5in - 500cm / 196.9in -
D: 90cm / 35.4in - 120cm / 47.2in



In Between ^{SK21} Sami Kallio 2014



Product no.	Table top	Size	Base	Base size	Colli qty.	Lead time	Weight	PRICE EX. STATE TAX
132747A382A081	Nero Ingo Fenix Nano	60x70cm - Bar	Black	Ø45 cm /	1 pc	Stock item	22.00 kg	1.105
132748A382A081	Laminate (0720)	table	Bronzed	5 cm				1.105
132753	Forbo Linoleum	L:60cm, W:70cm,	Black	Ø45 cm /	1 pc	8 weeks		1.285
132754		H:102cm	Bronzed	5 cm				1.285
132759	Forbo Linoleum	L:120cm, W:60cm,Black	Black	Ø45 cm /	1 pc	8 weeks		2.115
132760		H:102cm	Bronzed	5 cm**				2.115
132765	Forbo Linoleum	L:140cm, W:70cm,Black	Black	Ø45 cm /	1 pc	8 weeks		2.320
132766		H:102cm	Bronzed	5 cm**				2.320
132747	Fenix NTM nano laminate	L:60cm, W:70cm,	Black	Ø45 cm /	1 pc	8 weeks		1.330
132748		H:102cm	Bronzed	5 cm				1.330
132763	Fenix NTM nano laminate	L:120cm, W:60cm,Black	Black	Ø45 cm /	1 pc	8 weeks		2.160
132764		H:102cm	Bronzed	5 cm**				2.160
132769	Fenix NTM nano laminate	L:140cm, W:70cm,Black	Black	Ø45 cm /	1 pc	8 weeks		2.365
132770		H:102cm	Bronzed	5 cm**				2.365
132755	Oak veneer	L:60cm, W:70cm,	Black	Ø45 cm /	1 pc	8 weeks		1.375
132756		H:102cm	Bronzed	5 cm				1.375
132761	Oak veneer	L:120cm, W:60cm,Black	Black	Ø45 cm /	1 pc	8 weeks		2.205
132762		H:102cm	Bronzed	5 cm**				2.205
132767	Oak veneer	L:140cm, W:70cm,Black	Black	Ø45 cm /	1 pc	8 weeks		2.455
132768		H:102cm	Bronzed	5 cm**				2.455



Fenix Nano Laminate made using FSC® certified wood, supporting responsible environmental, social and economical management of the world's forests. Visit www.fsc.org

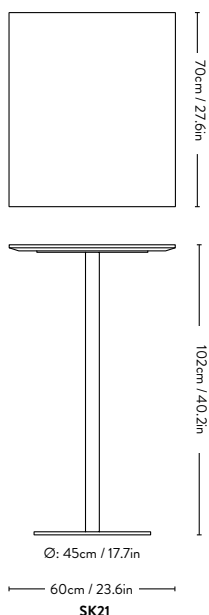
Table top materials Variant

MDF Table top	Forbo Linoleum, Fenix NTM nano laminate, Oak Veneer in Smoked, Clear or Black Lacquer.
Legs	Clear Lacquered oak, Smoked Lacquered or Black Lacquered Oak.

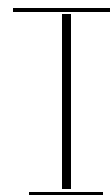
Edge material: ABS edges for linolium and laminate, Clear Lacquered oak, Black Lacquered Oak or Smoked Lacquered Oak for oak veneer.

**Two Columns

Felt gliders installed as standard.
Bevelled table top edge.



In Between ^{SK22} Sami Kallio 2014



Product no.	Table top	Size	Base	Base size	Colli qty.	Lead time	Weight	PRICE EX. STATE TAX
132751A382A081	Nero Ingo Fenix Nano	Ø60cm -	Black	Ø45 cm /	1 pc	Stock item	22.00 kg	1.105
132752A382A081	Laminate (0720)	Bar table	Bronzed	5 cm				1.105
	Forbo Linoleum	Ø60-70cm, H:102cm	Black Bronzed	Ø45 cm / 5 cm	1 pc	8 weeks		1.285 1.285
	Fenix NTM nano laminate	Ø60-70cm, H:102cm	Black Bronzed	Ø45 cm / 5 cm	1 pc	8 weeks		1.330 1.330
	Oak veneer	Ø60-70cm, H:102cm	Black Bronzed	Ø45 cm / 5 cm	1 pc	8 weeks		1.375 1.375



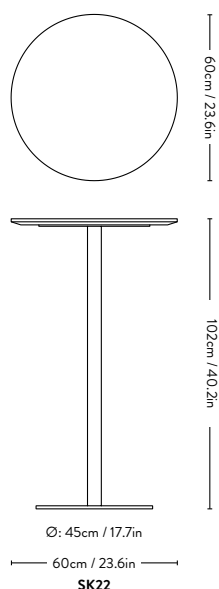
Fenix Nano Laminate made using FSC® certified wood, supporting responsible environmental, social and economical management of the world's forests. Visit www.fsc.org

Table top materials Variant

MDF Table top	Forbo Linoleum, Fenix NTM nano laminate, Oak Veneer in Smoked, Clear or Black Lacquer.
Legs	Clear Lacquered oak, Smoked Lacquered or Black Lacquered Oak.

Edge material: ABS edges for linolium and laminate, Clear Lacquered oak, Black Lacquered Oak or Smoked Lacquered Oak for oak veneer.

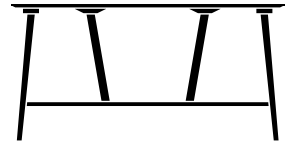
Felt gliders installed as standard.
Bevelled table top edge.



In Between SK25 & SK26

Sami Kallio

2025



Product no.	Variant	Size	Product code	Colli qty.	Lead time	Weight	PRICE EX. STATE TAX
146618A277A086	Lacquered Oak	190x50x95	SK25	1 pc	Stock item	31.00 kg	3.600
146619A361A085	Smoked Lacquered Oak	190x50x95	SK25	1 pc	Stock item	31.00 kg	3.600
146620A262A087	Black Lacquered Oak	190x50x95	SK25	1 pc	Stock item	31.00 kg	3.600
146621A277A086	Lacquered Oak	190x80x95	SK26	1 pc	Stock item	44.00 kg	3.825
146622A361A085	Smoked Lacquered Oak	190x80x95	SK26	1 pc	Stock item	44.00 kg	3.825
146623A262A087	Black Lacquered Oak	190x80x95	SK26	1 pc	Stock item	44.00 kg	3.825
146585	Footrest protector			1 pc	Stock item	0.10 kg	70

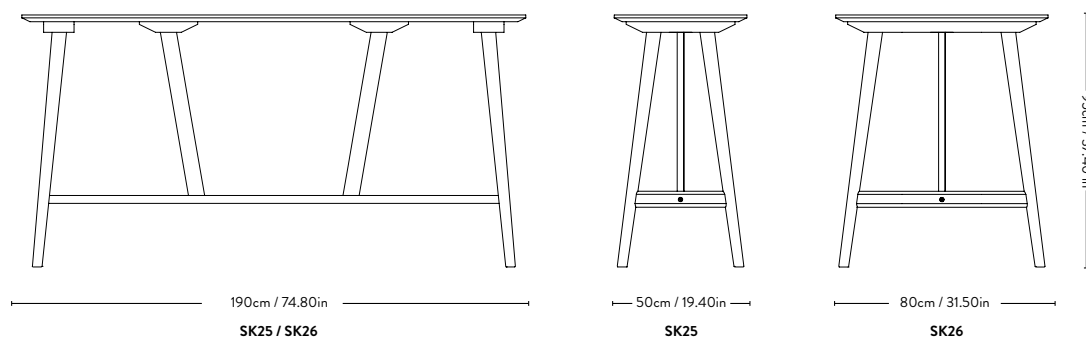


Made using FSC® certified wood, supporting responsible environmental, social and economical management of the world's forests. Visit www.fsc.org

Materials Variant

Table top: Oak Veneer on both sides and edges
 Table legs: Solid Oak

Adjustable gliders installed as standard. Bevelled table top edge.



In Between SK27 & SK28

Sami Kallio

2025



Product no.	Variant	Size	Product code	Colli qty.	Lead time	Weight	PRICE EX. STATE TAX
146624A277A086	Lacquered Oak	190x50x105	SK27	1 pc	Stock item	31.00 kg	3.600
146625A361A085	Smoked Lacquered Oak	190x50x105	SK27	1 pc	Stock item	31.00 kg	3.600
146626A262A087	Black Lacquered Oak	190x50x105	SK27	1 pc	Stock item	31.00 kg	3.600
146627A277A086	Lacquered Oak	190x80x105	SK28	1 pc	Stock item	45.00 kg	3.825
146628A361A085	Smoked Lacquered Oak	190x80x105	SK28	1 pc	Stock item	45.00 kg	3.825
146629A262A087	Black Lacquered Oak	190x80x105	SK28	1 pc	Stock item	45.00 kg	3.825
146585	Footrest protector			1 pc	Stock item	0.10 kg	70

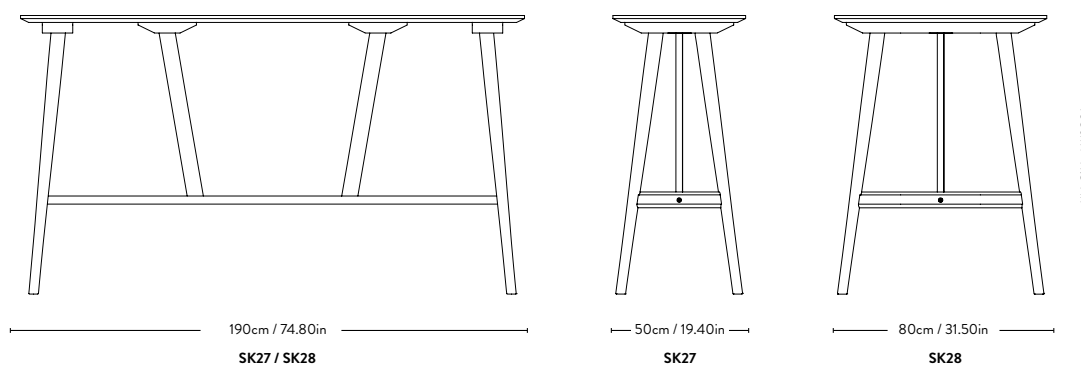


Made using FSC® certified wood, supporting responsible environmental, social and economical management of the world's forests. Visit www.fsc.org

Materials Variant

Table top	Oak Veneer on both sides and edges
Table legs	Solid Oak

Adjustable gliders installed as standard. Bevelled table top edge.



Patch ^{HW1} Hee Welling 2020



Product no.	Variant	Colli qty.	Lead time	Weight	PRICE EX. STATE TAX
132979A202A076	Oiled Oak w. Fenix 0748 Beige Arizona & Brass	1 pc	Stock item	73.50 kg	5.175
132978A190A075	Smoked Oak w. Fenix 0718 Griogio Londra & Brass	1 pc	Stock item	73.50 kg	5.175
132980A195A077	Walnut w. Fenix 0749 Cacao Orinoco & Brass	1 pc	Stock item	73.50 kg	5.850



Oiled Oak w. Fenix Nano Laminate and Smoked Oak w. Fenix Nano Laminate made using FSC® certified wood, supporting responsible environmental, social and economical management of the world's forests. Visit www.fsc.org

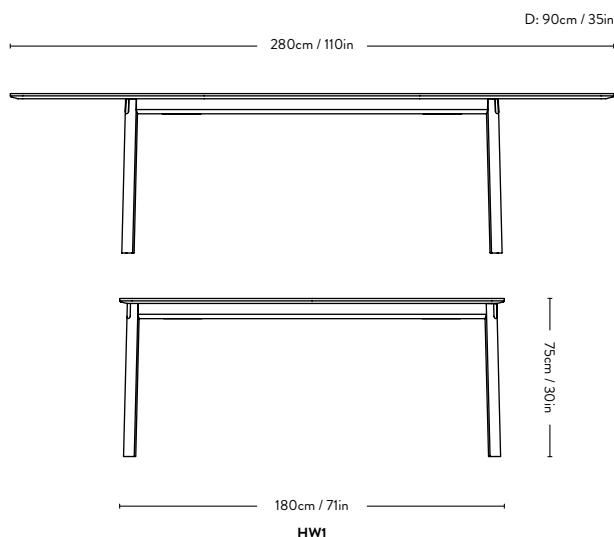
Frame	Table top
Solid wood	Fenix NTM nano laminate

Frame	Edges
Oak	Oiled Oak, Smoked Oiled Oak
Walnut	Oiled Walnut

Material: Nano laminated MDF tabletop. Extension leaves with veneered and chamfered edges. Solid wood frame and legs.

Brass fittings.

Felt gliders installed as standard



Patch ^{HW2} Hee Welling 2020



Product no.	Variant	Colli qty.	Lead time	Weight	PRICE EX. STATE TAX
132982A202A076	Oiled Oak w. Fenix 0748 Beige Arizona & Brass	1 pc	Stock item	89.50 kg	5.625
132981A190A075	Smoked Oak w. Fenix 0718 Griogio Londra & Brass	1 pc	Stock item	89.50 kg	5.625
132983A195A077	Walnut w. Fenix 0749 Cacao Orinoco & Brass	1 pc	Stock item	89.50 kg	6.300



Oiled Oak w. Fenix Nano Laminate and Smoked Oak w. Fenix Nano Laminate made using FSC® certified wood, supporting responsible environmental, social and economical management of the world's forests. Visit www.fsc.org

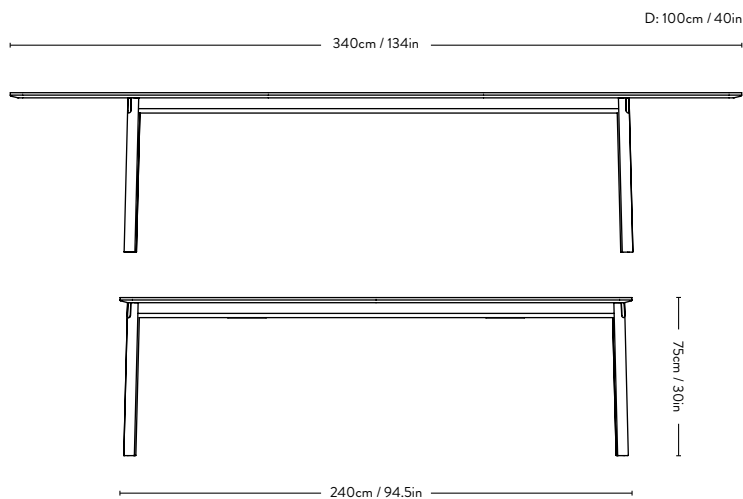
Frame	Table top
Solid wood	Fenix NTM nano laminate

Frame	Edges
Oak	Oiled Oak, Smoked Oiled Oak
Walnut	Oiled Walnut

Material: Nano laminated MDF tabletop. Extension leaves with veneered and chamfered edges. Solid wood frame and legs.

Brass fittings.

Felt gliders installed as standard



HW2

Drip HW115, HW116 & HW117

Hee Welling 2025



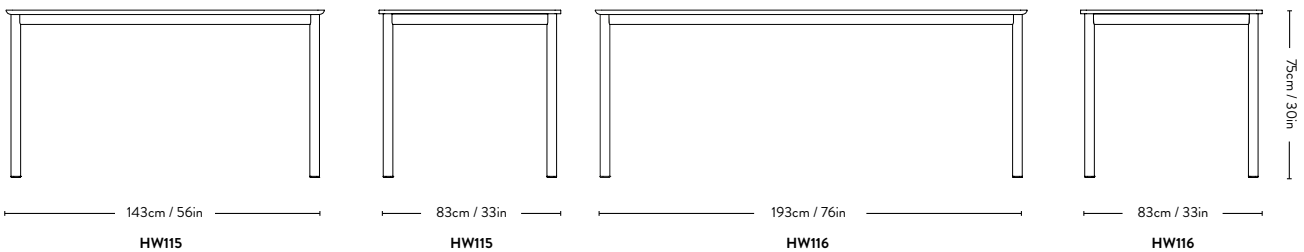
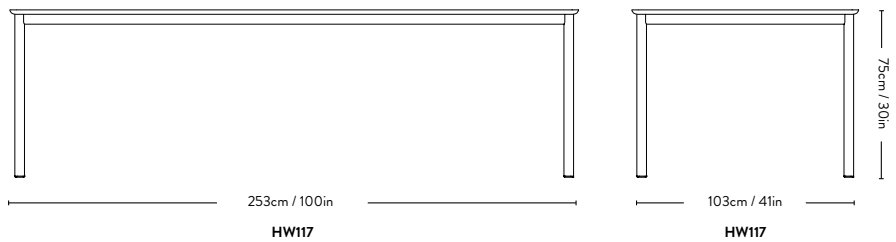
Product no.	Table top	Size	Base	Product code	Colli qty.	Lead time	Weight	PRICE EX. STATE TAX
139867A276A371 147350A276A371	Oak	143 x 83 cm	Black Bronzed	HW115	1 pc	Stock item	25.00 kg	2.815 2.815
139867A308A372 147350A308A372	Walnut	143 x 83 cm	Black Bronzed	HW115	1 pc	Stock item	25.00 kg	2.815 2.815
139868A276A371 147351A276A371	Oak	193 x 83 cm	Black Bronzed	HW116	1 pc	Stock item	31.00 kg	3.375 3.375
139868A308A372 147351A308A372	Walnut	193 x 83 cm	Black Bronzed	HW116	1 pc	Stock item	31.00 kg	3.375 3.375
139869A276A371 147352A276A371	Oak	253 x 103 cm	Black Bronzed	HW117	1 pc	Stock item	47.80 kg	3.940 3.940
139869A308A372 147352A308A372	Walnut	253 x 103 cm	Black Bronzed	HW117	1 pc	Stock item	47.80 kg	3.940 3.940



Veneer and Fenix Nano Laminate made using FSC® certified wood, supporting responsible environmental, social and economical management of the world's forests. Visit www.fsc.org

Material: Aluminium base, MDF tabletop with oak veneer and solid oak edges or walnut veneer and solid walnut edges.

Plastic gliders installed as standard.



Drip ^{HW58} Hee Welling 2021



Product no.	Table top	Size	Base	Colli qty.	Lead time	Weight	PRICE EX. STATE TAX
132291A382A066 132292A382A066	Nero Ingo Fenix Nano Laminate (0720) & Black Rehau (76490), Glossy Edge	140 x 80cm	Black Bronzed 1 pc		Stock item	25.00 kg	2.140 2.140
132287A362A069 132288A362A069	Smokey Blue Forbo Linoleum (4179) & Dark Blue Ostermann (043.5984), Glossy Edge	140 x 80cm	Black Bronzed 1 pc		8 weeks	25.00 kg	2.250 2.250
132287A270A068 132288A270A068	Burgundy Forbo Linoleum (4154) & Red Ostermann (043.4110), Glossy Edge	140 x 80cm	Black Bronzed 1 pc		8 weeks	25.00 kg	2.250 2.250
132291A195A074 132292A195A074	Cacao Orinoco Fenix Nano Laminate (0749) & Grey Brown Rehau (71038), Glossy Edge	140 x 80cm	Black Bronzed 1 pc		8 weeks	25.00 kg	2.475 2.475
132291A186A072 132292A186A072	Verde Comodoro Fenix Nano Laminate (0750) & Grey Rehau (97959), Glossy Edge	140 x 80cm	Black Bronzed 1 pc		8 weeks	25.00 kg	2.475 2.475
132291A390A070 132292A390A070	Azzurro Naxos Fenix Nano Laminate (0771) & Light Blue Rehau (77193), Glossy Edge	140 x 80cm	Black Bronzed 1 pc		8 weeks	25.00 kg	2.475 2.475
132287 132288	Linoleum - all colours	140 x 80cm	Black Bronzed 1 pc		8 weeks	25.00 kg	2.250 2.250
132291 132292	Nano Laminate - all colours	140 x 80cm	Black Bronzed 1 pc		8 weeks	25.00 kg	2.475 2.475
132289 132290	Veneer - oak or walnut	140 x 80cm	Black Bronzed 1 pc		8 weeks	25.00 kg	2.475 2.475
	Cut out for cable management				8 weeks		115
133353	Cable access set / Black				8 weeks		585
133354	Cable access set / Silver				8 weeks		585



EU Ecolabel certified, validating high standards of durability, circular design, and responsible use of chemicals. Please contact our sales team for a list of EU Ecolabel compliant combinations.

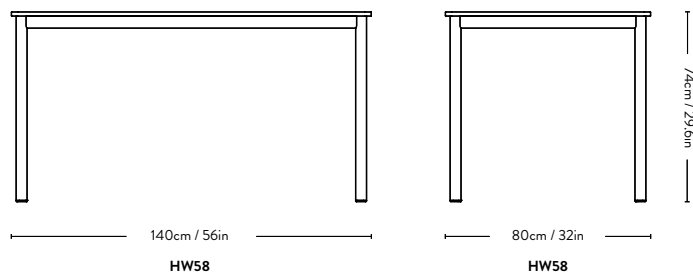


Veneer and Fenix Nano Laminate made using FSC® certified wood, supporting responsible environmental, social and economical management of the world's forests. Visit www.fsc.org

Material: Aluminium base, MDF tabletop with Fenix Nano laminate, Forbo linoleum or wood veneer.

All other colours are produced with a matching ABS edgeband. Wood veneer is produced with a matching edgeband.

All table tops and edgebands can be mixed and matched. Plastic gliders installed as standard. Castors are available upon request.



Drip ^{HW59} Hee Welling 2021



Product no.	Table top	Size	Base	Colli qty.	Lead time	Weight	PRICE EX. STATE TAX
132297A382A066 132298A382A066	Nero Ingo Fenix Nano Laminate (0720) & Black Rehau (76490), Glossy Edge	190 x 80cm	Black Bronzed	1 pc	Stock item	32.50 kg	2.365 2.365
132293A362A069 132294A362A069	Smokey Blue Forbo Linoleum (4179) & Dark Blue Ostermann (043.5984), Glossy Edge	190 x 80cm	Black Bronzed	1 pc	8 weeks	32.50 kg	2.590 2.590
132293A270A068 132294A270A068	Burgundy Forbo Linoleum (4154) & Red Ostermann (043.4110), Glossy Edge	190 x 80cm	Black Bronzed	1 pc	8 weeks	32.50 kg	2.590 2.590
132297A195A074 132298A195A074	Cacao Orinoco Fenix Nano Laminate (0749) & Grey Brown Rehau (71038), Glossy Edge	190 x 80cm	Black Bronzed	1 pc	8 weeks	32.50 kg	2.815 2.815
132297A186A072 132298A186A072	Verde Comodoro Fenix Nano Laminate (0750) & Grey Rehau (97959), Glossy Edge	190 x 80cm	Black Bronzed	1 pc	8 weeks	32.50 kg	2.815 2.815
132297A390A070 132298A390A070	Azzurro Naxos Fenix Nano Laminate (0771) & Light Blue Rehau (77193), Glossy Edge	190 x 80cm	Black Bronzed	1 pc	8 weeks	32.50 kg	2.815 2.815
132293 132294	Linoleum - all colours	190 x 80cm	Black Bronzed	1 pc	8 weeks	32.50 kg	2.590 2.590
132297 132298	Nano Laminate - all colours	190 x 80cm	Black Bronzed	1 pc	8 weeks	32.50 kg	2.815 2.815
132295 132296	Veneer - oak or walnut	190 x 80cm	Black Bronzed	1 pc	8 weeks	32.50 kg	2.815 2.815
133353	Cut out for cable management				8 weeks		115
133354	Cable access set / Black				8 weeks		585
	Cable access set / Silver				8 weeks		585



EU Ecolabel certified, validating high standards of durability, circular design, and responsible use of chemicals. Please contact our sales team for a list of EU Ecolabel compliant combinations.

EU Ecolabel - DK/049/039

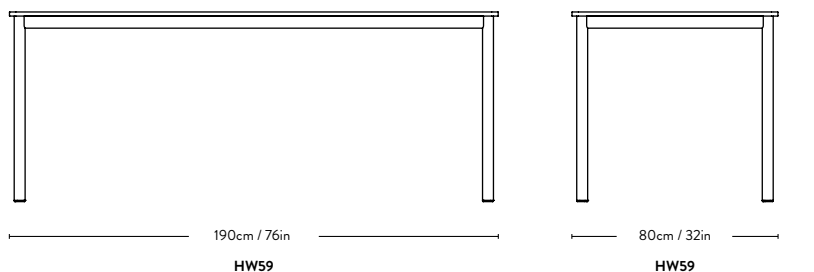


Veneer and Fenix Nano Laminate made using FSC® certified wood, supporting responsible environmental, social and economical management of the world's forests. Visit www.fsc.org

Material: Aluminium base, MDF tabletop with Fenix Nano laminate, Forbo linoleum or wood veneer.

All other colours are produced with a matching ABS edgeband. Wood veneer is produced with a matching edgeband.

All table tops and edgebands can be mixed and matched. Plastic gliders installed as standard. Castors are available upon request.



Drip ^{HW60} Hee Welling 2021



Product no.	Table top	Size	Base	Colli qty.	Lead time	Weight	PRICE EX. STATE TAX
132303A382A066	Nero Ingo Fenix Nano Laminate (0720) & Black	250 x	Black	1 pc	Stock item	49.00 kg	2.925
132304A382A066	Rehau (76490), Glossy Edge	100 cm	Bronzed				2.925
132299A362A069	Smokey Blue Forbo Linoleum (4179) & Dark	250 x	Black	1 pc	8 weeks	49.00 kg	3.490
132300A362A069	Blue Ostermann (043.5984), Glossy Edge	100 cm	Bronzed				3.490
132299A270A068	Burgundy Forbo Linoleum (4154) & Red	250 x	Black	1 pc	8 weeks	49.00 kg	3.490
132300A270A068	Ostermann (043.4110), Glossy Edge	100 cm	Bronzed				3.490
132303A195A074	Cacao Orinoco Fenix Nano Laminate (0749) &	250 x	Black	1 pc	8 weeks	49.00 kg	3.825
132304A195A074	Grey Brown Rehau (71038), Glossy Edge	100 cm	Bronzed				3.825
132303A186A072	Verde Comodoro Fenix Nano Laminate (0750)	250 x	Black	1 pc	8 weeks	49.00 kg	3.825
132304A186A072	& Grey Rehau (97959), Glossy Edge	100 cm	Bronzed				3.825
132303A390A070	Azzurro Naxos Fenix Nano Laminate (0771) &	250 x	Black	1 pc	8 weeks	49.00 kg	3.825
132304A390A070	Light Blue Rehau (77193), Glossy Edge	100 cm	Bronzed				3.825
132299	Linoleum - all colours	250 x	Black	1 pc	8 weeks	49.00 kg	3.490
132300		100 cm	Bronzed				3.490
132303	Nano Laminate - all colours	250 x	Black	1 pc	8 weeks	49.00 kg	3.825
132304		100 cm	Bronzed				3.825
132301	Veneer - oak or walnut	250 x	Black	1 pc	8 weeks	49.00 kg	3.825
132302		100 cm	Bronzed				3.825
133353	Cut out for cable management				8 weeks		115
133354	Cable access set / Black				8 weeks		585
	Cable access set / Silver				8 weeks		585



EU Ecolabel certified, validating high standards of durability, circular design, and responsible use of chemicals. Please contact our sales team for a list of EU Ecolabel compliant combinations.

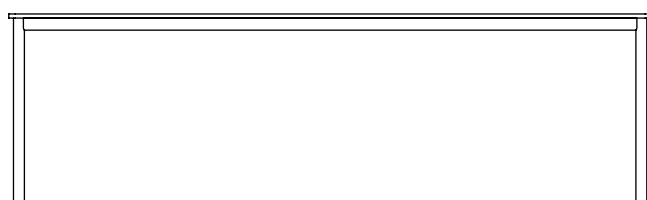


Veneer and Fenix Nano Laminate made using FSC® certified wood, supporting responsible environmental, social and economical management of the world's forests. Visit www.fsc.org

Material: Aluminium base, MDF tabletop with Fenix Nano laminate, Forbo linoleum or wood veneer.

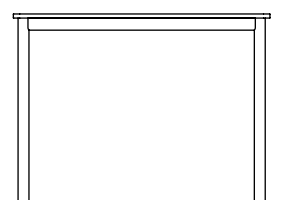
All other colours are produced with a matching ABS edgeband. Wood veneer is produced with a matching edgeband.

All table tops and edgebands can be mixed and matched
Plastic gliders installed as standard.
Castors are available upon request.



250cm / 100in

HW60



100cm / 40in

HW60

74cm / 29.6in

Drip ^{HW61} Hee Welling 2021



Product no.	Table top	Size	Base	Colli qty.	Lead time	Weight	PRICE EX. STATE TAX
132309A382A066	Nero Ingo Fenix Nano Laminate (0720) & Black	190 x 50 x	Black	1 pc	Stock item	26.80 kg	3.265
132310A382A066	Rehau (76490), Glossy Edge	95 cm	Bronzed				3.265
132305A362A069	Smokey Blue Forbo Linoleum (4179) & Dark	190 x 50 x	Black	1 pc	8 weeks	26.80 kg	3.600
132306A362A069	Blue Ostermann (043.5984), Glossy Edge	95 cm	Bronzed				3.600
132305A270A068	Burgundy Forbo Linoleum (4154) & Red	190 x 50 x	Black	1 pc	8 weeks	26.80 kg	3.825
132306A270A068	Ostermann (043.4110), Glossy Edge	95 cm	Bronzed				3.825
132309A195A074	Cacao Orinoco Fenix Nano Laminate (0749) &	190 x 50 x	Black	1 pc	8 weeks	26.80 kg	3.825
132310A195A074	Grey Brown Rehau (71038), Glossy Edge	95 cm	Bronzed				3.825
132309A186A072	Verde Comodoro Fenix Nano Laminate (0750)	190 x 50 x	Black	1 pc	8 weeks	26.80 kg	3.825
132310A186A072	& Grey Rehau (97959), Glossy Edge	95 cm	Bronzed				3.825
132309A390A070	Azzurro Naxos Fenix Nano Laminate (0771) &	190 x 50 x	Black	1 pc	8 weeks	26.80 kg	3.600
132310A390A070	Light Blue Rehau (77193), Glossy Edge	95 cm	Bronzed				3.600
132305	Linoleum - all colours	190 x 50 x	Black	1 pc	8 weeks	26.80 kg	3.600
132306		95 cm	Bronzed				3.600
132309	Nano Laminate - all colours	190 x 50 x	Black	1 pc	8 weeks	26.80 kg	3.825
132310		95 cm	Bronzed				3.825
132307	Veneer - oak or walnut	190 x 50 x	Black	1 pc	8 weeks	26.80 kg	3.825
132308		95 cm	Bronzed				3.825
133353	Cut out for cable management				8 weeks		115
133354	Cable pit set / Black				8 weeks		585
	Cable pit set / Silver				8 weeks		585



EU Ecolabel certified, validating high standards of durability, circular design, and responsible use of chemicals.

Please contact our sales team for a list of EU Ecolabel compliant combinations.

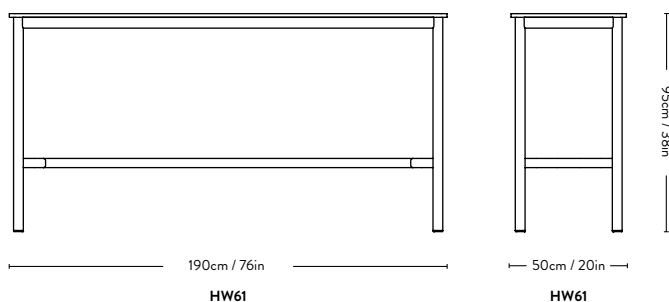


Veneer and Fenix Nano Laminate made using FSC® certified wood, supporting responsible environmental, social and economical management of the world's forests. Visit www.fsc.org

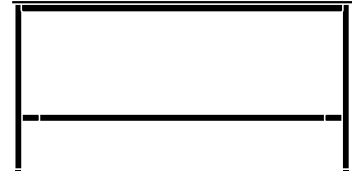
Material: Aluminium base, MDF tabletop with Fenix Nano laminate, Forbo linoleum or wood veneer.

All other colours are produced with a matching ABS edgeband. Wood veneer is produced with a matching edgeband.

All table tops and edgebands can be mixed and matched
Plastic gliders installed as standard.
Castors are available upon request.



Drip ^{HW62} Hee Welling 2021



Product no.	Table top	Size	Base	Colli qty.	Lead time	Weight	PRICE EX. STATE TAX
132315A382A066	Nero Ingo Fenix Nano Laminate (0720) & Black	190 x 80 x	Black	1 pc	Stock item	36.00 kg	3.375
132316A382A066	Rehau (76490), Glossy Edge	95 cm	Bronzed				3.375
132311A344A071	Pearl Forbo Linoleum (4157) & Soft Yellow	190 x 80 x	Black	1 pc	8 weeks	36.00 kg	3.600
132312A344A071	Rehau (78162), Glossy Edge	95 cm	Bronzed				3.600
132311A270A068	Burgundy Forbo Linoleum (4154) & Red	190 x 80 x	Black	1 pc	8 weeks	36.00 kg	3.600
132312A270A068	Ostermann (043.4110), Glossy Edge	95 cm	Bronzed				3.600
132315A195A074	Cacao Orinoco Fenix Nano Laminate (0749) &	190 x 80 x	Black	1 pc	8 weeks	36.00 kg	3.825
132316A195A074	Grey Brown Rehau (71038), Glossy Edge	95 cm	Bronzed				3.825
132315A186A072	Verde Comodoro Fenix Nano Laminate (0750)	190 x 80 x	Black	1 pc	8 weeks	36.00 kg	3.825
132316A186A072	& Grey Rehau (97959), Glossy Edge	95 cm	Bronzed				3.825
132315A390A070	Azzurro Naxos Fenix Nano Laminate (0771) &	190 x 80 x	Black	1 pc	8 weeks	36.00 kg	3.825
132316A390A070	Light Blue Rehau (77193), Glossy Edge	95 cm	Bronzed				3.825
132311	Linoleum - all colours	190 x 80 x	Black	1 pc	8 weeks	36.00 kg	3.600
132312		95 cm	Bronzed				3.600
132315	Nano Laminate - all colours	190 x 80 x	Black	1 pc	8 weeks	36.00 kg	3.825
132316		95 cm	Bronzed				3.825
132313	Veneer - oak or walnut	190 x 80 x	Black	1 pc	8 weeks	36.00 kg	3.825
132314		95 cm	Bronzed				3.825
133353	Cut out for cable management				8 weeks		115
133354	Cable pit set / Black				8 weeks		585
133354	Cable pit set / Silver				8 weeks		585



EU Ecolabel certified, validating high standards of durability, circular design, and responsible use of chemicals. Please contact our sales team for a list of EU Ecolabel compliant combinations.

EU Ecolabel - DK/049/039



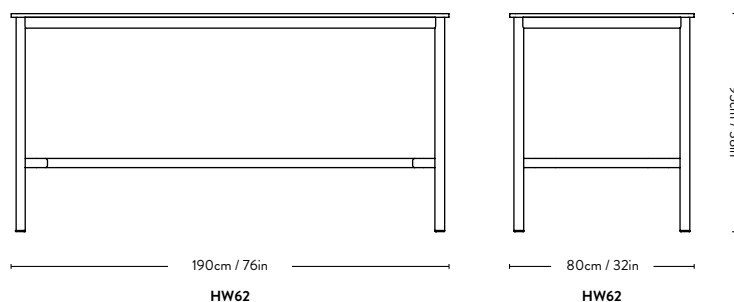
Veneer and Fenix Nano Laminate made using FSC® certified wood, supporting responsible environmental, social and economical management of the world's forests. Visit www.fsc.org

The mark of responsible forestry

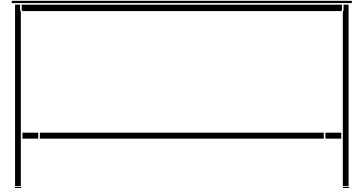
Material: Aluminium base, MDF tabletop with Fenix Nano laminate, Forbo linoleum or wood veneer.

All other colours are produced with a matching ABS edgeband. Wood veneer is produced with a matching edgeband.

All table tops and edgebands can be mixed and matched
Plastic gliders installed as standard.
Castors are available upon request.



Drip ^{HW63} Hee Welling 2021



Product no.	Table top	Size	Base	Colli qty.	Lead time	Weight	PRICE EX. STATE TAX
132321A382A066	Nero Ingo Fenix Nano Laminate (0720) & Black	190 x 50 x	Black	1 pc	Stock item	28.00 kg	3.265
132322A382A066	Rehau (76490), Glossy Edge	105 cm	Bronzed				3.265
132317A362A069	Smokey Blue Forbo Linoleum (4179) & Dark	190 x 50 x	Black	1 pc	8 weeks	28.00 kg	3.600
132318A362A069	Blue Ostermann (043.5984), Glossy Edge	105 cm	Bronzed				3.600
132317A270A068	Burgundy Forbo Linoleum (4154) & Red	190 x 50 x	Black	1 pc	8 weeks	28.00 kg	3.600
132318A270A068	Ostermann (043.4110), Glossy Edge	105 cm	Bronzed				3.600
132321A195A074	Cacao Orinoco Fenix Nano Laminate (0749) &	190 x 50 x	Black	1 pc	8 weeks	28.00 kg	3.825
132322A195A074	Grey Brown Rehau (71038), Glossy Edge	105 cm	Bronzed				3.825
132321A186A072	Verde Comodoro Fenix Nano Laminate (0750)	190 x 50 x	Black	1 pc	8 weeks	28.00 kg	3.825
132322A186A072	& Grey Rehau (97959), Glossy Edge	105 cm	Bronzed				3.825
132321A390A070	Azzurro Naxos Fenix Nano Laminate (0771) &	190 x 50 x	Black	1 pc	8 weeks	28.00 kg	3.825
132322A390A070	Light Blue Rehau (77193), Glossy Edge	105 cm	Bronzed				3.825
132317	Linoleum - all colours	190 x 50 x	Black	1 pc	8 weeks	28.00 kg	3.600
132318		105 cm	Bronzed				3.600
132321	Nano Laminate - all colours	190 x 50 x	Black	1 pc	8 weeks	28.00 kg	3.825
132322		105 cm	Bronzed				3.825
132319	Veneer - oak or walnut	190 x 50 x	Black,	1 pc	8 weeks	28.00 kg	3.825
132320		105 cm	Bronzed				3.825
133353	Cut out for cable management				8 weeks		115
133354	Cable pit set / Black				8 weeks		585
	Cable pit set / Silver				8 weeks		585



EU Ecolabel certified, validating high standards of durability, circular design, and responsible use of chemicals. Please contact our sales team for a list of EU Ecolabel compliant combinations.

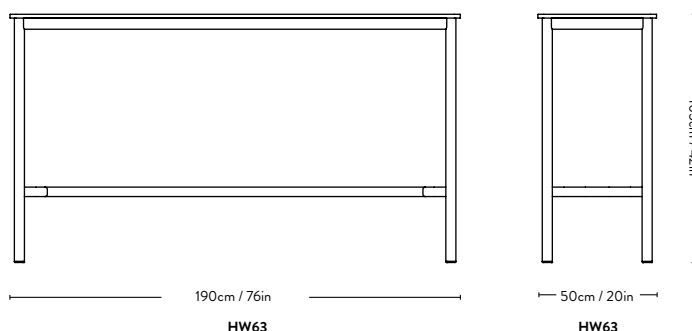


Veneer and Fenix Nano Laminate made using FSC® certified wood, supporting responsible environmental, social and economical management of the world's forests. Visit www.fsc.org

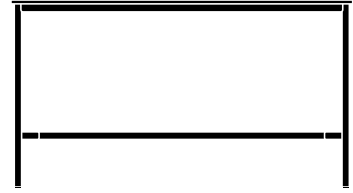
Material: Aluminium base, MDF tabletop with Fenix Nano laminate, Forbo linoleum or wood veneer.

All other colours are produced with a matching ABS edgeband. Wood veneer is produced with a matching edgeband.

All table tops and edgebands can be mixed and matched. Plastic gliders installed as standard. Castors are available upon request.



Drip ^{HW64} Hee Welling 2021



Product no.	Table top	Size	Base	Colli qty.	Lead time	Weight	PRICE EX. STATE TAX
132327A382A066	Nero Ingo Fenix Nano Laminate (0720) & Black	190 x 80 x	Black	1 pc	Stock item	37.20 kg	3.375
132328A382A066	Rehau (76490), Glossy Edge	105 cm	Bronzed				3.375
132323A362A069	Smokey Blue Forbo Linoleum (4179) & Dark	190 x 80 x	Black	1 pc	8 weeks	37.20 kg	3.600
132324A362A069	Blue Ostermann (043.5984), Glossy Edge	105 cm	Bronzed				3.600
132323A270A068	Burgundy Forbo Linoleum (4154) & Red	190 x 80 x	Black	1 pc	8 weeks	37.20 kg	3.600
132324A270A068	Ostermann (043.4110), Glossy Edge	105 cm	Bronzed				3.600
132327A195A074	Cacao Orinoco Fenix Nano Laminate (0749) &	190 x 80 x	Black	1 pc	8 weeks	37.20 kg	3.825
132328A195A074	Grey Brown Rehau (71038), Glossy Edge	105 cm	Bronzed				3.825
132327A186A072	Verde Comodoro Fenix Nano Laminate (0750)	190 x 80 x	Black	1 pc	8 weeks	37.20 kg	3.825
132328A186A072	& Grey Rehau (97959), Glossy Edge	105 cm	Bronzed				3.825
132327A390A070	Azzurro Naxos Fenix Nano Laminate (0771) &	190 x 80 x	Black	1 pc	8 weeks	37.20 kg	3.600
132328A390A070	Light Blue Rehau (77193), Glossy Edge	105 cm	Bronzed				3.600
132323	Linoleum - all colours	190 x 80 x	Black	1 pc	8 weeks	37.20 kg	3.600
132324		105 cm	Bronzed				3.600
132327	Nano Laminate - all colours	190 x 80 x	Black	1 pc	8 weeks	37.20 kg	3.825
132328		105 cm	Bronzed				3.825
132325	Veneer - oak or walnut	190 x 80 x	Black	1 pc	8 weeks	37.20 kg	3.825
132326		105 cm	Bronzed				3.825
	Cut out for cable management				8 weeks		115
133353	Cable pit set / Black				8 weeks		585
133354	Cable pit set / Silver				8 weeks		585



EU Ecolabel certified, validating high standards of durability, circular design, and responsible use of chemicals. Please contact our sales team for a list of EU Ecolabel compliant combinations.

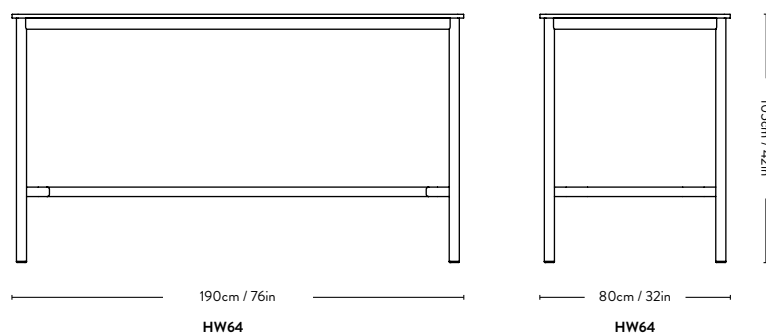


Veneer and Fenix Nano Laminate made using FSC® certified wood, supporting responsible environmental, social and economical management of the world's forests. Visit www.fsc.org

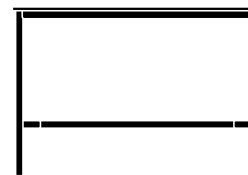
Material: Aluminium base, MDF tabletop with Fenix Nano laminate, Forbo linoleum or wood veneer.

All other colours are produced with a matching ABS edgeband. Wood veneer is produced with a matching edgeband.

All table tops and edgebands can be mixed and matched
Plastic gliders installed as standard.
Castors are available upon request.



Drip^{HW111} Hee Welling 2021



Product no.	Table top	Size	Base	Colli qty.	Lead time	Weight	PRICE EX. STATE TAX
132333A382A066	Nero Ingo Fenix Nano Laminate (0720) & Black	140 x 50 x	Black	1 pc	Stock item	22.90 kg	3.150
132334A382A066	Rehau (76490), Glossy Edge	95 cm	Bronzed				3.150
132329A362A069	Smokey Blue Forbo Linoleum (4179) & Dark	140 x 50 x	Black	1 pc	8 weeks	22.90 kg	3.375
132330A362A069	Blue Ostermann (043.5984), Glossy Edge	95 cm	Bronzed				3.375
132329A270A068	Burgundy Forbo Linoleum (4154) & Red	140 x 50 x	Black	1 pc	8 weeks	22.90 kg	3.375
132330A270A068	Ostermann (043.4110), Glossy Edge	95 cm	Bronzed				3.375
132333A195A074	Cacao Orinoco Fenix Nano Laminate (0749) &	140 x 50 x	Black	1 pc	8 weeks	22.90 kg	3.600
132334A195A074	Grey Brown Rehau (71038), Glossy Edge	95 cm	Bronzed				3.600
132333A186A072	Verde Comodoro Fenix Nano Laminate (0750)	140 x 50 x	Black	1 pc	8 weeks	22.90 kg	3.600
132334A186A072	& Grey Rehau (97959), Glossy Edge	95 cm	Bronzed				3.600
132333A390A070	Azzurro Naxos Fenix Nano Laminate (0771) &	140 x 50 x	Black	1 pc	8 weeks	22.90 kg	3.600
132334A390A070	Light Blue Rehau (77193), Glossy Edge	95 cm	Bronzed				3.600
132329	Linoleum - all colours	140 x 50 x	Black	1 pc	8 weeks	22.90 kg	3.375
132330		95 cm	Bronzed				3.375
132333	Nano Laminate - all colours	140 x 50 x	Black	1 pc	8 weeks	22.90 kg	3.600
132334		95 cm	Bronzed				3.600
132331	Veneer - oak or walnut	140 x 50 x	Black	1 pc	8 weeks	22.90 kg	3.600
132332		95 cm	Bronzed				3.600
133353	Cut out for cable management				8 weeks		115
133354	Cable pit set / Black				8 weeks		585
133354	Cable pit set / Silver				8 weeks		585



EU Ecolabel certified, validating high standards of durability, circular design, and responsible use of chemicals. Please contact our sales team for a list of EU Ecolabel compliant combinations.

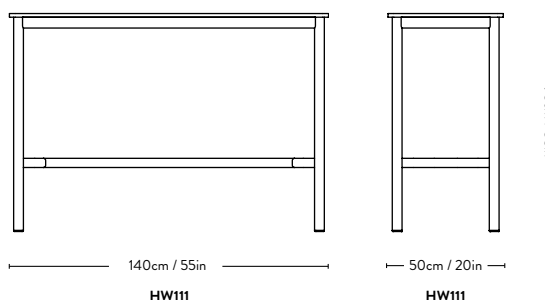


Veneer and Fenix Nano Laminate made using FSC® certified wood, supporting responsible environmental, social and economical management of the world's forests. Visit www.fsc.org

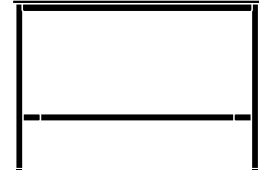
Material: Aluminium base, MDF tabletop with Fenix Nano laminate, Forbo linoleum or wood veneer.

All other colours are produced with a matching ABS edgeband. Wood veneer is produced with a matching edgeband.

All table tops and edgebands can be mixed and matched
Plastic gliders installed as standard.
Castors are available upon request.



Drip^{HW112} Hee Welling 2021



Product no.	Table top	Size	Base	Colli qty.	Lead time	Weight	PRICE EX. STATE TAX
132339A382A066	Nero Ingo Fenix Nano Laminate (0720) & Black	140 x 80 x	Black	1 pc	Stock item	30.20 kg	3.265
132340A382A066	Rehau (76490), Glossy Edge	95 cm	Bronzed				3.265
132335A362A069	Smokey Blue Forbo Linoleum (4179) & Dark	140 x 80 x	Black	1 pc	8 weeks	30.20 kg	3.375
132336A362A069	Blue Ostermann (043.5984), Glossy Edge	95 cm	Bronzed				3.375
132335A270A068	Burgundy Forbo Linoleum (4154) & Red	140 x 80 x	Black	1 pc	8 weeks	30.20 kg	3.375
132336A270A068	Ostermann (043.4110), Glossy Edge	95 cm	Bronzed				3.375
132339A195A074	Cacao Orinoco Fenix Nano Laminate (0749) &	140 x 80 x	Black	1 pc	8 weeks	30.20 kg	3.600
132340A195A074	Grey Brown Rehau (71038), Glossy Edge	95 cm	Bronzed				3.600
132339A186A072	Verde Comodoro Fenix Nano Laminate (0750)	140 x 80 x	Black	1 pc	8 weeks	30.20 kg	3.600
132340A186A072	& Grey Rehau (97959), Glossy Edge	95 cm	Bronzed				3.600
132339A390A070	Azzurro Naxos Fenix Nano Laminate (0771) &	140 x 80 x	Black	1 pc	8 weeks	30.20 kg	3.600
132340A390A070	Light Blue Rehau (77193), Glossy Edge	95 cm	Bronzed				3.600
132335	Linoleum - all colours	140 x 80 x	Black	1 pc	8 weeks	30.20 kg	3.375
132336		95 cm	Bronzed				3.375
132339	Nano Laminate - all colours	140 x 80 x	Black	1 pc	8 weeks	30.20 kg	3.600
132340		95 cm	Bronzed				3.600
132337	Veneer - oak or walnut	140 x 80 x	Black	1 pc	8 weeks	30.20 kg	3.600
132338		95 cm	Bronzed				3.600
133353	Cut out for cable management				8 weeks		115
133354	Cable pit set / Black				8 weeks		585
	Cable pit set / Silver				8 weeks		585



EU Ecolabel certified, validating high standards of durability, circular design, and responsible use of chemicals. Please contact our sales team for a list of EU Ecolabel compliant combinations.

EU Ecolabel - DK/049/039



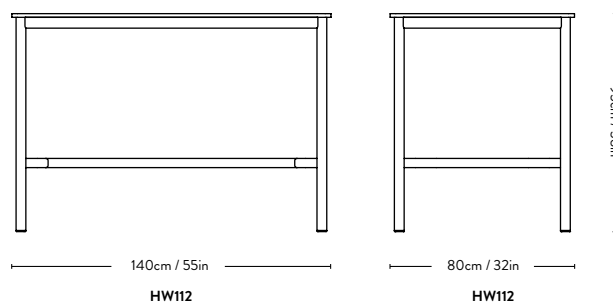
Veneer and Fenix Nano Laminate made using FSC® certified wood, supporting responsible environmental, social and economical management of the world's forests. Visit www.fsc.org

The mark of responsible forestry

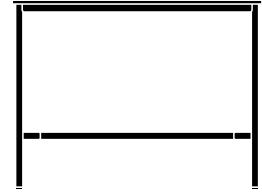
Material: Aluminium base, MDF tabletop with Fenix Nano laminate, Forbo linoleum or wood veneer.

All other colours are produced with a matching ABS edgeband. Wood veneer is produced with a matching edgeband.

All table tops and edgebands can be mixed and matched. Plastic gliders installed as standard. Castors are available upon request.



Drip^{HW113} Hee Welling 2021



Product no.	Table top	Size	Base	Colli qty.	Lead time	Weight	PRICE EX. STATE TAX
132345A382A066	Nero Ingo Fenix Nano Laminate (0720) & Black	140 x 50 x	Black	1 pc	Stock item	23.40 kg	3.150
132346A382A066	Rehau (76490), Glossy Edge	105 cm	Bronzed				3.150
132341A362A069	Smokey Blue Forbo Linoleum (4179) & Dark	140 x 50 x	Black	1 pc	8 weeks	23.40 kg	3.375
132342A362A069	Blue Ostermann (043.5984), Glossy Edge	105 cm	Bronzed				3.375
132341A270A068	Burgundy Forbo Linoleum (4154) & Red	140 x 50 x	Black	1 pc	8 weeks	23.40 kg	3.375
132342A270A068	Ostermann (043.4110), Glossy Edge	105 cm	Bronzed				3.375
132345A195A074	Cacao Orinoco Fenix Nano Laminate (0749) &	140 x 50 x	Black	1 pc	8 weeks	23.40 kg	3.600
132346A195A074	Grey Brown Rehau (71038), Glossy Edge	105 cm	Bronzed				3.600
132345A186A072	Verde Comodoro Fenix Nano Laminate (0750)	140 x 50 x	Black	1 pc	8 weeks	23.40 kg	3.600
132346A186A072	& Grey Rehau (97959), Glossy Edge	105 cm	Bronzed				3.600
132345A390A070	Azzurro Naxos Fenix Nano Laminate (0771) &	140 x 50 x	Black	1 pc	8 weeks	23.40 kg	3.600
132346A390A070	Light Blue Rehau (77193), Glossy Edge	105 cm	Bronzed				3.600
132341	Linoleum - all colours	140 x 50 x	Black	1 pc	8 weeks	23.40 kg	3.375
132342		105 cm	Bronzed				3.375
132345	Nano Laminate - all colours	140 x 50 x	Black	1 pc	8 weeks	23.40 kg	3.600
132346		105 cm	Bronzed				3.600
132343	Veneer - oak or walnut	140 x 50 x	Black,	1 pc	8 weeks	23.40 kg	3.600
132344		105 cm	Bronzed				3.600
133353	Cut out for cable management				8 weeks		115
133354	Cable pit set / Black				8 weeks		585
133354	Cable pit set / Silver				8 weeks		585



EU Ecolabel certified, validating high standards of durability, circular design, and responsible use of chemicals. Please contact our sales team for a list of EU Ecolabel compliant combinations.

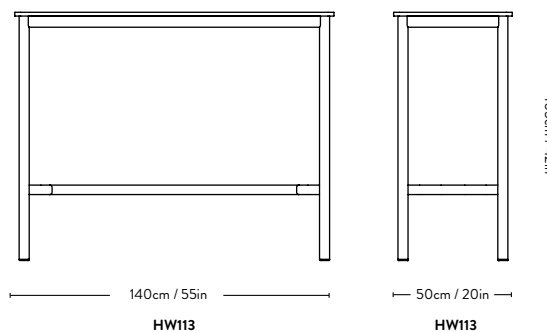


Veneer and Fenix Nano Laminate made using FSC® certified wood, supporting responsible environmental, social and economical management of the world's forests. Visit www.fsc.org

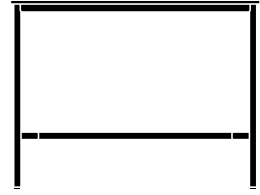
Material: Aluminium base, MDF tabletop with Fenix Nano laminate, Forbo linoleum or wood veneer.

All other colours are produced with a matching ABS edgeband. Wood veneer is produced with a matching edgeband.

All table tops and edgebands can be mixed and matched
Plastic gliders installed as standard.
Castors are available upon request.



Drip^{HW114} Hee Welling 2021



Product no.	Table top	Size	Base	Colli qty.	Lead time	Weight	PRICE EX. STATE TAX
132351A382A066 132352A382A066	Nero Ingo Fenix Nano Laminate (0720) & Black Rehau (76490), Glossy Edge	140 x 80 x 105 cm	Black Bronzed	1 pc	Stock item	30.30 kg	3.265 3.265
132347A362A069 132348A362A069	Smokey Blue Forbo Linoleum (4179) & Dark Blue Ostermann (043.5984), Glossy Edge	140 x 80 x 105 cm	Black Bronzed	1 pc	8 weeks	30.30 kg	3.375 3.375
132347A270A068 132348A270A068	Burgundy Forbo Linoleum (4154) & Red Ostermann (043.4110), Glossy Edge	140 x 80 x 105 cm	Black Bronzed	1 pc	8 weeks	30.30 kg	3.375 3.375
132351A195A074 132352A195A074	Cacao Orinoco Fenix Nano Laminate (0749) & Grey Brown Rehau (71038), Glossy Edge	140 x 80 x 105 cm	Black Bronzed	1 pc	8 weeks	30.30 kg	3.600 3.600
132351A186A072 132352A186A072	Verde Comodoro Fenix Nano Laminate (0750) & Grey Rehau (97959), Glossy Edge	140 x 80 x 105 cm	Black Bronzed	1 pc	8 weeks	30.30 kg	3.600 3.600
132351A390A070 132352A390A070	Azzurro Naxos Fenix Nano Laminate (0771) & Light Blue Rehau (77193), Glossy Edge	140 x 80 x 105 cm	Black Bronzed	1 pc	8 weeks	30.30 kg	3.600 3.600
132347 132348	Linoleum - all colours	140 x 80 x 105 cm	Black Bronzed	1 pc	8 weeks	30.30 kg	3.375 3.375
132351 132352	Nano Laminate - all colours	140 x 80 x 105 cm	Black Bronzed	1 pc	8 weeks	30.30 kg	3.600 3.600
132349 132350	Veneer - oak or walnut	140 x 80 x 105 cm	Black Bronzed	1 pc	8 weeks	30.30 kg	3.600 3.600
	Cut out for cable management				8 weeks		115
133353	Cable pit set / Black				8 weeks		585
133354	Cable pit set / Silver				8 weeks		585



EU Ecolabel certified, validating high standards of durability, circular design, and responsible use of chemicals. Please contact our sales team for a list of EU Ecolabel compliant combinations.

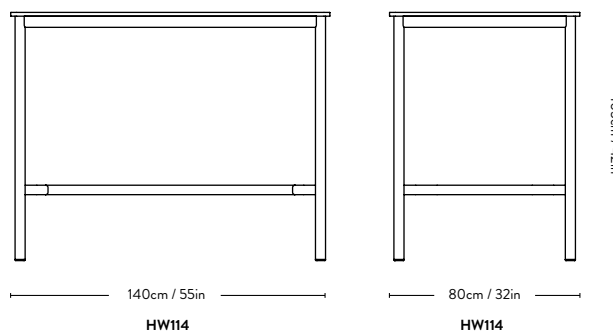


Veneer and Fenix Nano Laminate made using FSC® certified wood, supporting responsible environmental, social and economical management of the world's forests. Visit www.fsc.org

Material: Aluminium base, MDF tabletop with Fenix Nano laminate, Forbo linoleum or wood veneer.

All other colours are produced with a matching ABS edgeband. Wood veneer is produced with a matching edgeband.

All table tops and edgebands can be mixed and matched. Plastic gliders installed as standard. Castors are available upon request.



Drip Made to order Hee Welling 2021

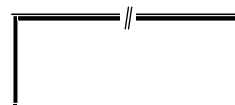


Table top	Base	Size	Lead time	
Forbo Linoleum	Black, Bronzed	L: 141-170 x W: 80 x H: 74cm	8 weeks	2.925
		L: 171-200 x W: 80 x H: 74cm		3.265
		L: 201-250 x W: 100 x H: 74cm		3.600
		L: 251-300 x W: 100 x H: 74cm		4.275
		L: 201-250 x W: 110 x H: 74cm		3.825
		L: 251-300 x W: 110 x H: 74cm		4.390
		L: 301-350 x W: 110 x H: 74cm		5.400
		L: 351-400 x W: 110 x H: 74cm		5.850
		L: 401-450 x W: 110 x H: 74cm		5.965
		L: 451-500 x W: 110 x H: 74cm		6.525
		L: 501-550 x W: 110 x H: 74cm		6.750
		L: 551-600 x W: 110 x H: 74cm		7.200
		L: 201-250 x W: 120 x H: 74cm		4.050
		L: 251-300 x W: 120 x H: 74cm		4.615
		L: 301-350 x W: 120 x H: 74cm		5.625
		L: 351-400 x W: 120 x H: 74cm		6.075
		L: 401-450 x W: 120 x H: 74cm		6.190
		L: 451-500 x W: 120 x H: 74cm		6.750
		L: 501-550 x W: 120 x H: 74cm		6.975
		L: 551-600 x W: 120 x H: 74cm		7.425

Product no.	Variant	Lead time	PRICE EX. STATE TAX
133530	Linking device	Stock item	60
	Cut out for cable management	8 weeks	115
133353	Cable access set / Black	8 weeks	585
133354	Cable access set / Silver	8 weeks	585

* Please note that the cable access set is not pre-installed upon delivery
 * Please note that table tops over 300cm in length are comprised of 2 parts

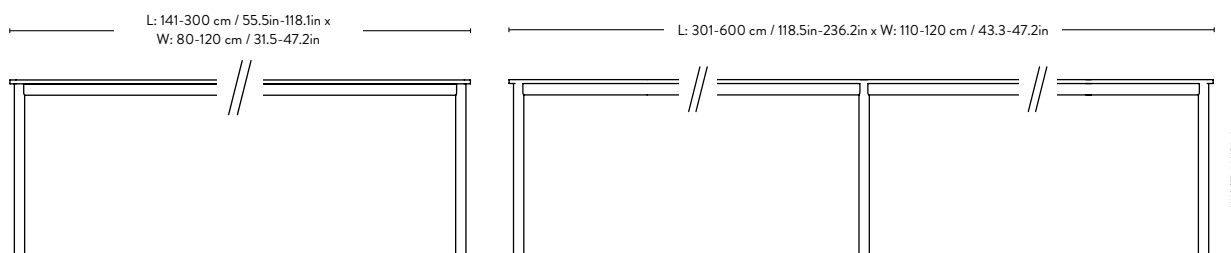
Material: Aluminium base, MDF tabletop with Forbo linoleum.
Base: Black or Bronzed.

All other colours are produced with a matching ABS edgeband.
 Wood veneer is produced with a matching edgeband.

Plastic gliders are installed as standard.
 Castors are available upon request.



EU Ecolabel certified, validating high standards of durability, circular design, and responsible use of chemicals.
 Please contact our sales team for a list of EU Ecolabel compliant combinations.



Drip Made to order Hee Welling 2021

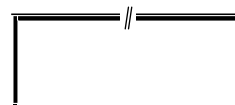


Table top	Base	Size	Lead time	PRICE EX. STATE TAX
Fenix NTM Nano Laminate	Black, Bronzed	L: 141-170 x W: 80 x H: 74cm	8 weeks	3.040
		L: 171-200 x W: 80 x H: 74cm		3.375
		L: 201-250 x W: 100 x H: 74cm		3.825
		L: 251-300 x W: 100 x H: 74cm		4.390
		L: 201-250 x W: 110 x H: 74cm		3.940
		L: 251-300 x W: 110 x H: 74cm		4.500
		L: 301-350 x W: 110 x H: 74cm		5.625
		L: 351-400 x W: 110 x H: 74cm		6.075
		L: 401-450 x W: 110 x H: 74cm		6.190
		L: 451-500 x W: 110 x H: 74cm		6.750
		L: 501-550 x W: 110 x H: 74cm		6.975
		L: 551-600 x W: 110 x H: 74cm		7.425
		L: 201-250 x W: 120 x H: 74cm		4.165
		L: 251-300 x W: 120 x H: 74cm		4.725
		L: 301-350 x W: 120 x H: 74cm		5.850
		L: 351-400 x W: 120 x H: 74cm		6.300
		L: 401-450 x W: 120 x H: 74cm		6.415
		L: 451-500 x W: 120 x H: 74cm		6.975
L: 501-550 x W: 120 x H: 74cm	7.200			
L: 551-600 x W: 120 x H: 74cm	7.650			

Product no.	Variant	Lead time	PRICE EX. STATE TAX
133530	Linking device	Stock item	60
	Cut out for cable management	8 weeks	115
133353	Cable access set / Black	8 weeks	585
133354	Cable access set / Silver	8 weeks	585

* Please note that the cable access set is not pre-installed upon delivery
 * Please note that table tops over 300cm in length are comprised of 2 parts

Material: Aluminium base, MDF tabletop with Fenix Nano laminate.
Base: Black or Bronzed.



EU Ecolabel certified, validating high standards of durability, circular design, and responsible use of chemicals. Please contact our sales team for a list of EU Ecolabel compliant combinations.

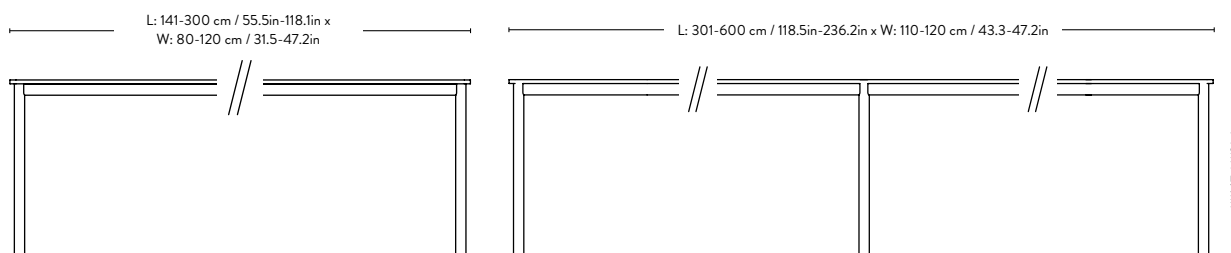
EU Ecolabel : DK/049/039



Veneer and Fenix Nano Laminate made using FSC® certified wood, supporting responsible environmental, social and economical management of the world's forests. Visit www.fsc.org

All other colours are produced with a matching ABS edgeband. Wood veneer is produced with a matching edgeband.

Plastic gliders are installed as standard. Castors are available upon request.



Drip Made to order Hee Welling 2021

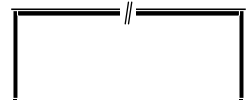


Table top	Base	Size	Lead time	PRICE EX. STATE TAX
Oak or Walnut Veneer	Black, Bronzed	L: 141-170 x W: 80 x H: 74cm	8 weeks	3.150
		L: 171-200 x W: 80 x H: 74cm		3.490
		L: 201-250 x W: 100 x H: 74cm		4.050
		L: 251-300 x W: 100 x H: 74cm		4.500
		L: 201-250 x W: 110 x H: 74cm		4.050
		L: 251-300 x W: 110 x H: 74cm		4.615
		L: 301-350 x W: 110 x H: 74cm		5.850
		L: 351-400 x W: 110 x H: 74cm		6.300
		L: 401-450 x W: 110 x H: 74cm		6.300
		L: 451-500 x W: 110 x H: 74cm		6.975
		L: 501-550 x W: 110 x H: 74cm		7.200
		L: 551-600 x W: 110 x H: 74cm		7.650
		L: 201-250 x W: 120 x H: 74cm		4.275
		L: 251-300 x W: 120 x H: 74cm		4.840
		L: 301-350 x W: 120 x H: 74cm		6.075
		L: 351-400 x W: 120 x H: 74cm		6.525
		L: 401-450 x W: 120 x H: 74cm		6.525
		L: 451-500 x W: 120 x H: 74cm		7.200
		L: 501-550 x W: 120 x H: 74cm		7.425
		L: 551-600 x W: 120 x H: 74cm		7.875

Product no.	Variant	Lead time	PRICE EX. STATE TAX
133530	Linking device	Stock item	60
	Cut out for cable management	8 weeks	115
133353	Cable access set / Black	8 weeks	585
133354	Cable access set / Silver	8 weeks	585

* Please note that the cable access set is not pre-installed upon delivery
 * Please note that table tops over 300cm in length are comprised of 2 parts

Material: Aluminium base, MDF tabletop with wood veneer.
Base: Black or Bronzed.



EU Ecolabel certified, validating high standards of durability, circular design, and responsible use of chemicals. Please contact our sales team for a list of EU Ecolabel compliant combinations.

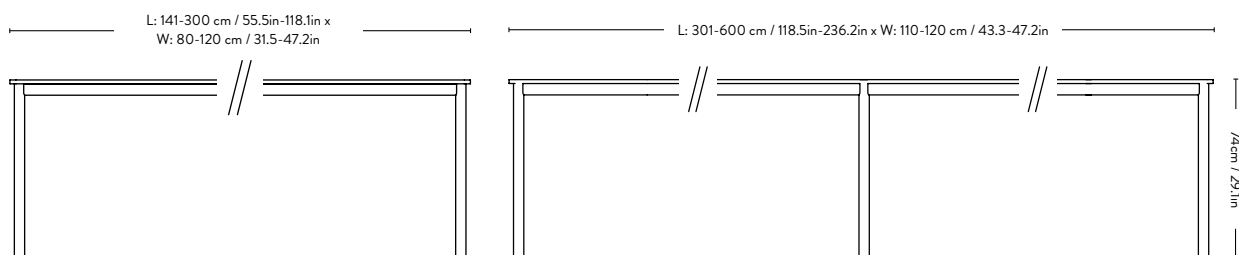
EU Ecolabel : DKJ/049/039



Oak and Walnut veneer made using FSC® certified wood, supporting responsible environmental, social and economical management of the world's forests. Visit www.fsc.org

All other colours are produced with a matching ABS edgeband. Wood veneer is produced with a matching edgeband.

Plastic gliders are installed as standard. Castors are available upon request.



Ita OS1 & OS2

OEO Studio

2025



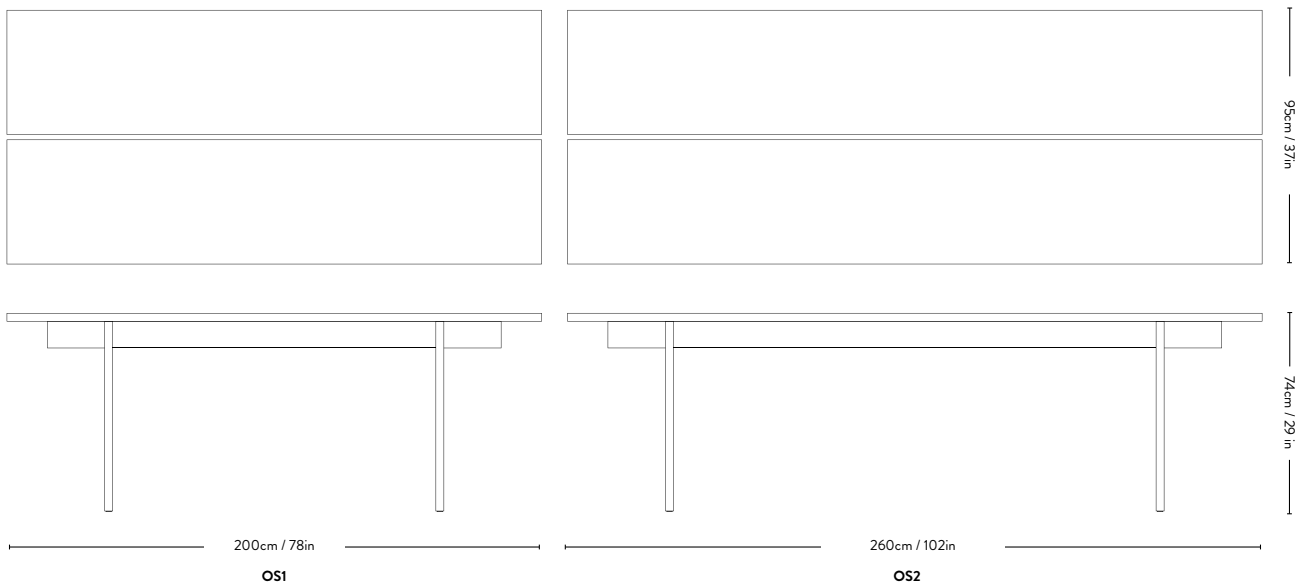
Product no.	Variant	Product code	Size	Colli qty.	Lead time	Weight	PRICE EX. STATE TAX
139989A469	Oak	OS1	200 x 95 cm	1 pc	Stock item	59.00 kg	4.050
139990A526	Dark Stained Oak	OS1	200 x 95 cm	1 pc	Stock item	59.00 kg	4.050
140043A469	Oak w. Cable Management	OS1	200 x 95 cm	1 pc	Stock item	59.00 kg	4.500
139992A526	Dark Stained Oak w. Cable Management	OS1	200 x 95 cm	1 pc	Stock item	59.00 kg	4.500
139993A469	Oak	OS2	260 x 95 cm	1 pc	Stock item	70.50 kg	4.500
139994A526	Dark Stained Oak	OS2	260 x 95 cm	1 pc	Stock item	70.50 kg	4.500
139995A469	Oak w. Cable Management	OS2	260 x 95 cm	1 pc	Stock item	70.50 kg	4.950
139996A526	Dark Stained Oak w. Cable Management	OS2	260 x 95 cm	1 pc	Stock item	70.50 kg	4.950



Made using FSC® certified wood, supporting responsible environmental, social and economical management of the world's forests. Visit www.fsc.org

Material: MDF, oak veneer and solid oak edges.

Plastic gliders are installed as standard.



Ita OS3 & OS4 OEO Studio 2025



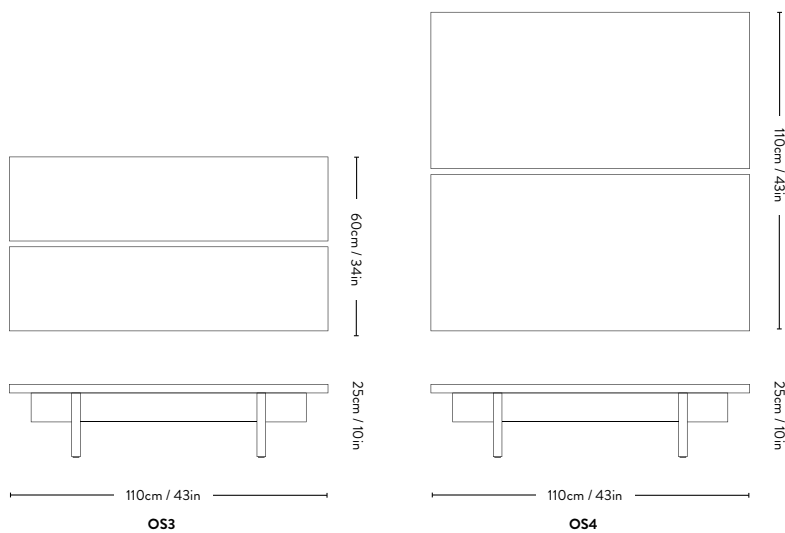
Product no.	Variant	Product code	Size	Colli qty.	Lead time	Weight	PRICE EX. STATE TAX
139998A469	Oak	OS3	110 x 60 cm	1 pc	Stock item	19.50 kg	2.250
139999A526	Dark Stained Oak	OS3	110 x 60 cm	1 pc	Stock item	19.50 kg	2.250
140000A469	Oak	OS4	110 x 110 cm	1 pc	Stock item	33.50 kg	2.700
140001A526	Dark Stained Oak	OS4	110 x 110 cm	1 pc	Stock item	33.50 kg	2.700



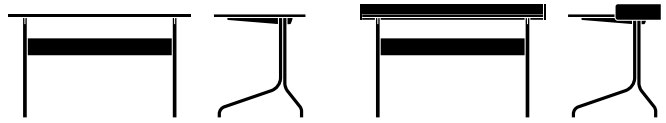
Made using FSC® certified wood, supporting responsible environmental, social and economical management of the world's forests. Visit www.fsc.org

Material: MDF, oak veneer and solid oak edges.

Plastic gliders are installed as standard.



Pavilion AV16 & AV17 Anderssen & Voll 2021



Product no.	Variant	Product code	Colli qty.	Lead time	Weight	PRICE EX. STATE TAX
132984A335A062	Black Linoleum (4023) w. black oak & black base	AV16	1 pc	Stock item	23.30 kg	2.590
132985A333A063	Mushroom Linoleum (4176) w. oak & chrome base	AV16	1 pc	Stock item	23.30 kg	2.590
132985A273A064	Charcoal Linoleum (4166) w. Lacquered walnut & chrome base	AV16	1 pc	Stock item	23.30 kg	2.590
132986A333A063	Mushroom Linoleum (4176) w. oak & chrome base	AV17	1 pc	Stock item	24.20 kg	3.040
132986A273A064	Charcoal Linoleum (4166) w. Lacquered walnut & chrome base	AV17	1 pc	Stock item	24.20 kg	3.040

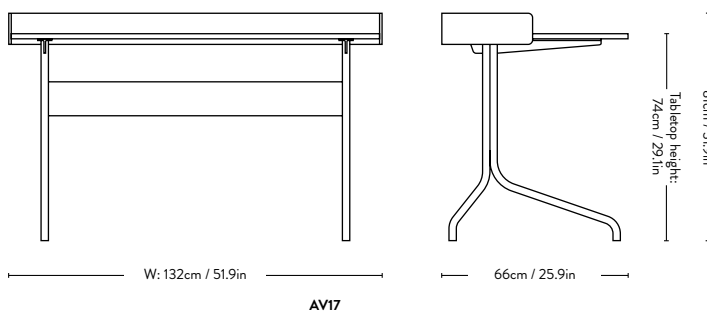
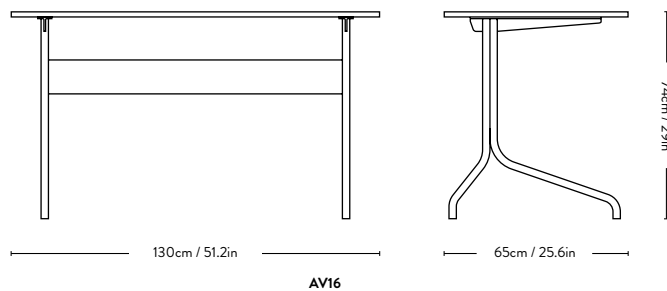


Made using FSC® certified wood, supporting responsible environmental, social and economical management of the world's forests. Visit www.fsc.org

Material: Steel, Water based lacquered veneer, MDF

Plastic gliders are installed as standard.

Cut out and cable management available upon request with a minimum order quantity of same variant of 10 pcs (Lead time 6-8 weeks).



Pavilion AV18, AV19 & AV24 Anderssen & Voll 2022



Product no.	Top	Size	Base	Product code	Colli qty.	Lead time	Weight	PRICE EX. STATE TAX
132991A276A086 132992A276A086	Oak	90x160cm	Black Chrome	AV18	1 pc	Stock item	44.0 kg	3.150 3.150
132991A262A087 132992A262A087	Black Oak	90x160cm	Black Chrome	AV18	1 pc	Stock item	44.0 kg	3.150 3.150
132991A280A089 132992A280A089	Walnut	90x160cm	Black Chrome	AV18	1 pc	Stock item	44.0 kg	3.265 3.265
132993A276A086 132994A276A086	Oak	90x200cm	Black Chrome	AV19	1 pc	Stock item	53.5 kg	3.375 3.375
132993A262A087 132994A262A087	Black Oak	90x200cm	Black Chrome	AV19	1 pc	Stock item	53.5 kg	3.375 3.375
132993A280A089 132994A280A089	Walnut	90x200cm	Black Chrome	AV19	1 pc	Stock item	53.5 kg	3.490 3.490
132995A276A086 132996A276A086	Oak	110x250cm	Black Chrome	AV24	1 pc	Stock item	62.0 kg	4.615 4.615
132995A262A087 132996A262A087	Black Oak	110x250cm	Black Chrome	AV24	1 pc	Stock item	62.0 kg	4.615 4.615
132995A280A089 132996A280A089	Walnut	110x250cm	Black Chrome	AV24	1 pc	Stock item	62.0 kg	4.840 4.840

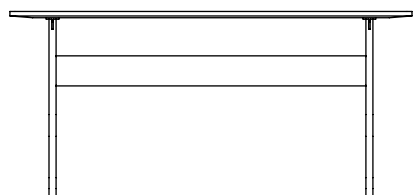


Made using FSC® certified wood, supporting responsible environmental, social and economical management of the world's forests. Visit www.fsc.org

Material: Steel, Water based lacquered veneer, MDF

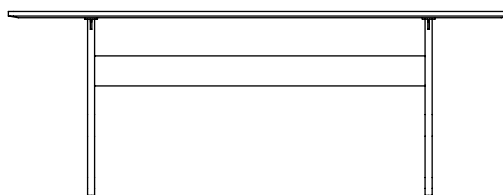
Plastic gliders are installed as standard.

Cut out and cable management available upon request with a minimum order quantity of same variant of 10 pcs (Lead time 6-8 weeks).



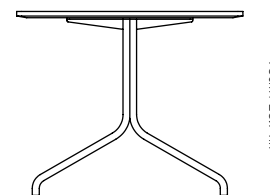
W: 160cm / 62.9in

AV18



W: 200cm / 78.74in

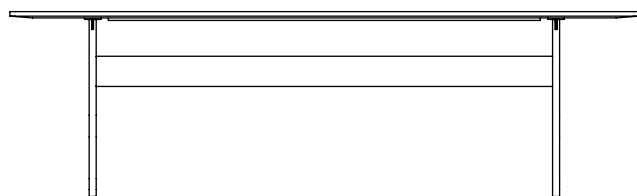
AV19



D: 90cm / 35.43in

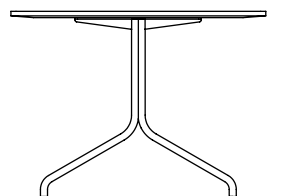
AV18 / AV19

73cm / 28.74in



W: 250cm / 98.42in

AV24



D: 110cm / 43.31in

AV24

73cm / 28.74in

Daystak RD2 & RD3

Robin Day

1951



Product no.	Tabletop	Base	Product code	Colli qty.	Lead time	Weight	PRICE EX. STATE TAX
137917	Beech	Beech	RD2	1 pc	Stock item	17.60 kg	2.475
137918	Fenix Nano laminate in Verde Comodoro (0750)	Beech	RD2	1 pc	Stock item	17.60 kg	2.475
137919	Beech	Beech	RD3	1 pc	Stock item	18.10 kg	3.265
137920	Fenix Nano laminate in Verde Comodoro (0750)	Beech	RD3	1 pc	Stock item	18.10 kg	3.265

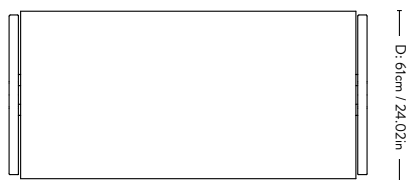


Made using FSC® certified wood, supporting responsible environmental, social and economical management of the world's forests. Visit www.fsc.org

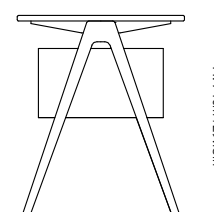
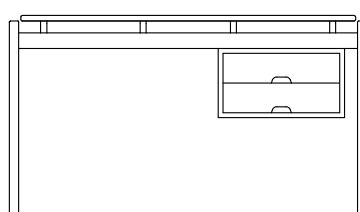
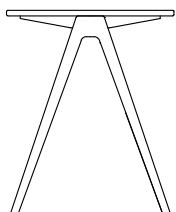
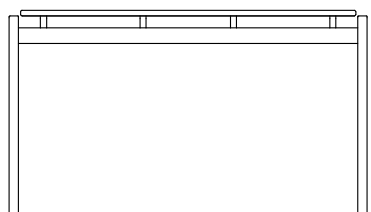
Material: Water based laquered beech, beech veneer, Fenix Nano laminate.

Plastic gliders are installed as standard.

RD2: Stacking quantity: 3 pcs



Drawer:
H: 25.2cm / 9.92in
W: 46cm / 18.11in
D: 45.5cm / 17.91in



W: 130cm / 51.18in

D: 61cm / 24.02in

W: 130cm / 51.18in

D: 61cm / 24.02in

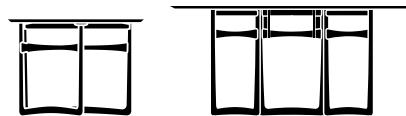
RD2

RD2

RD3

RD3

Drop Leaf ^{HM5 & HM6} Hvidt & Mølgaard 1956



Product no.	Product	Size	Base	Product code	Colli qty.	Lead time	Weight	PRICE EX. STATE TAX
132276A004	Coffee table	80x78cm	Oak	HM5	1 pc	Stock item	11.00 kg	2.250
132276A001	Coffee table	80x78cm	Walnut	HM5	1 pc	Stock item	11.00 kg	3.265
132277A004	Dining table	142x163cm	Oak	HM6	1 pc	Stock item	41.00 kg	8.440
132277A001	Dining table	142x163cm	Walnut	HM6	1 pc	Stock item	36.00 kg	11.025

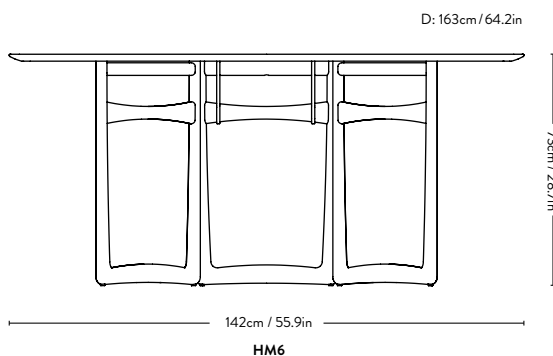
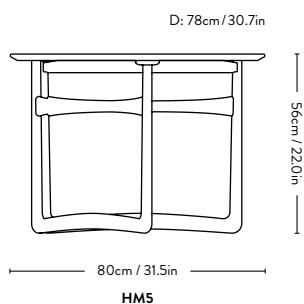


Oak made using FSC® certified wood, supporting responsible environmental, social and economical management of the world's forests. Visit www.fsc.org

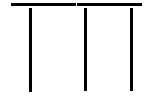
Frame Variant

Frame	Variant
Oak	Oiled Oak
Walnut	Oiled Walnut

Material: Solid wood & Brass.



Pinwheel ^{HM7} Hvidt & Mølgaard 1953



Product no.	Variant	Base	Colli qty.	Lead time	Weight	PRICE EX. STATE TAX
132278A004	Oiled Oak	Brass	1 pc	Stock item	4.00 kg	900
132279A004	Oiled Oak	Stainless Steel	1 pc	Stock item	4.00 kg	900
132278A001	Oiled Walnut	Brass	1 pc	Stock item	4.00 kg	1.125
132279A001	Oiled Walnut	Stainless Steel	1 pc	Stock item	4.00 kg	1.125

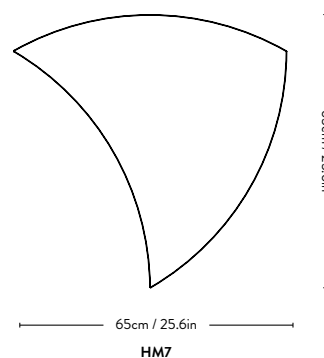
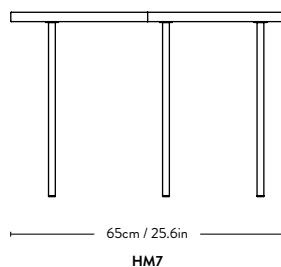


Made using FSC® certified wood, supporting responsible environmental, social and economical management of the world's forests. Visit www.fsc.org

Frame Variant

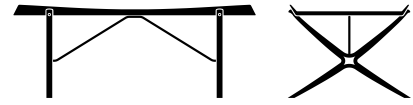
Oak	Oiled Oak
Walnut	Oiled Walnut

Material: Solid oak or walnut, brass & stainless steel.



X HM13

Hvidt & Mølgaard 1959



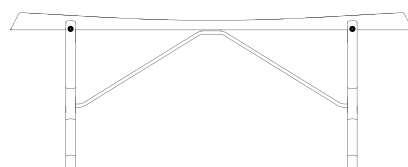
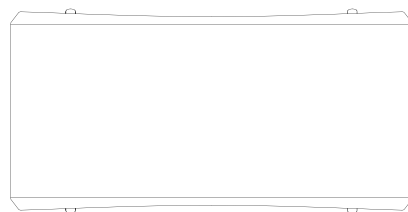
Product no.	Variant	Colli qty.	Lead time	Weight	PRICE EX. STATE TAX
138706A306	Oak with walnut inserts	1 pc	Stock item	12.50 kg	2.815



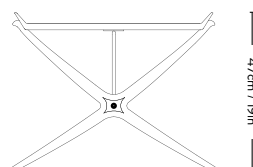
Made using FSC® certified wood, supporting responsible environmental, social and economical management of the world's forests. Visit www.fsc.org

Material: Water based lacquered oak veneer w. solid walnut inserts, powder-coated steel.

Plastic gliders installed as standard.



120cm / 47in
HM13



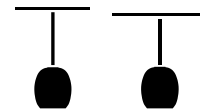
61cm / 24in
HM13

47cm / 19in

Lato LN8 & LN9

Luca Nichetto

2018



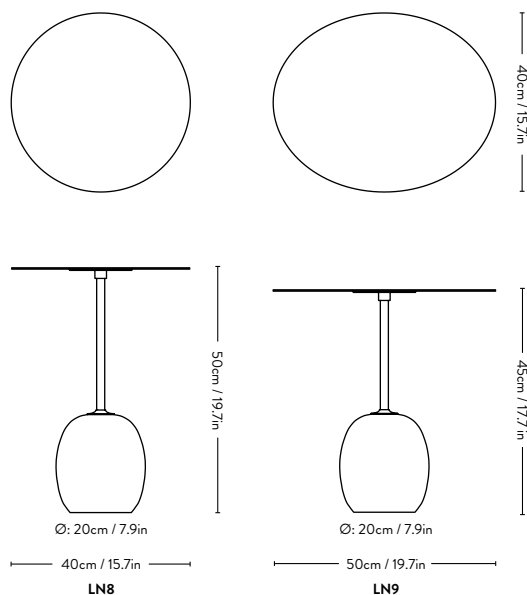
Product no.	Variant	Size	Product code	Colli qty.	Lead time	Weight	PRICE EX. STATE TAX
133027A408	Warm Black w. Emperador Marble	Ø40cm	LN8	1 pc	Stock item	19.50 kg	855
133029A304	Ivory white w. Crema Diva Marble	Ø40cm	LN8	1 pc	Stock item	19.50 kg	855
133031A288	Deep Green w. Verde Alpi	Ø40cm	LN8	1 pc	Stock item	19.50 kg	855
133028A309	Lacquered Walnut w. Emperador marble	Ø40cm	LN8	1 pc	Stock item	19.00 kg	990
133030A306	Lacquered Oak w. Crema Diva marble	Ø40cm	LN8	1 pc	Stock item	19.00 kg	945
133032A408	Warm Black w. Emperador Marble	40x50cm	LN9	1 pc	Stock item	20.10 kg	855
133034A304	Ivory white w. Crema Diva Marble	40x50cm	LN9	1 pc	Stock item	20.10 kg	855
133036A288	Deep Green w. Verde Alpi	40x50cm	LN9	1 pc	Stock item	20.10 kg	855
133033A309	Lacquered Walnut w. Emperador marble	40x50cm	LN9	1 pc	Stock item	19.00 kg	990
133035A306	Lacquered Oak w. Crema Diva marble	40x50cm	LN9	1 pc	Stock item	19.00 kg	945



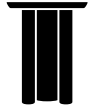
Walnut w. Emperador Marble and Oak w. Crema Diva Marble made using FSC® certified wood, supporting responsible environmental, social and economical management of the world's forests. Visit www.fsc.org

Material: Marble and powder coated steel or water based lacquered veneer.

Felt gliders installed as standard.



Tung^{JA3} John Astbury 2022



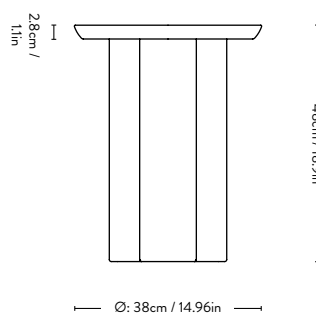
Product no.	Variant	Colli qty.	Lead time	Weight	PRICE EX. STATE TAX
133023A368	Steel Blue	1 pc	Stock item	10.80 kg	790
133023A271	Burgundy Red	1 pc	Stock item	10.80 kg	790



Made using FSC® certified wood, supporting responsible environmental, social and economical management of the world's forests. Visit www.fsc.org

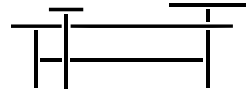
Material: Lacquered MDF

Felt glider pads



JA3

Palette ^{JH7} Jaime Hayon 2015



Product no.	Variant	Colli qty.	Lead time	Weight	PRICE EX. STATE TAX
133024	Brass, Nero Marquina marble, Black Lacquered Ash veneer	1 pc	Stock item	19.00 kg	2.365

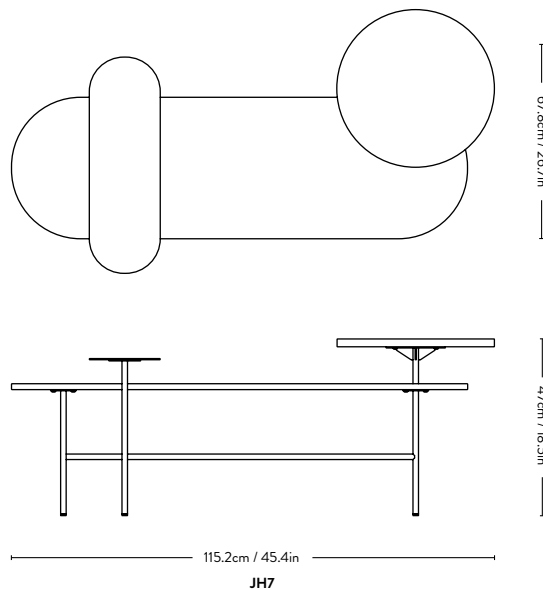


Made using FSC® certified wood, supporting responsible environmental, social and economical management of the world's forests. Visit www.fsc.org

Base	Variant
Steel	Black Powder Coated

Table top	Variant
Metal	Satin polished brass
Marble	Polished Nero Marquina
Wood	Water Based Lacquered Ash veneer

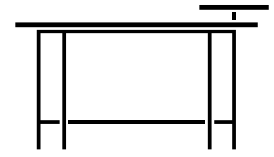
Plastic gliders installed as standard.



Palette JH9

Jaime Hayon

2015



Product no.	Variant	Colli qty.	Lead time	Weight	PRICE EX. STATE TAX
133025	Nero Marquina marble, Black Lacquered Ash veneer	1 pc	Stock item	22.00 kg	3.600

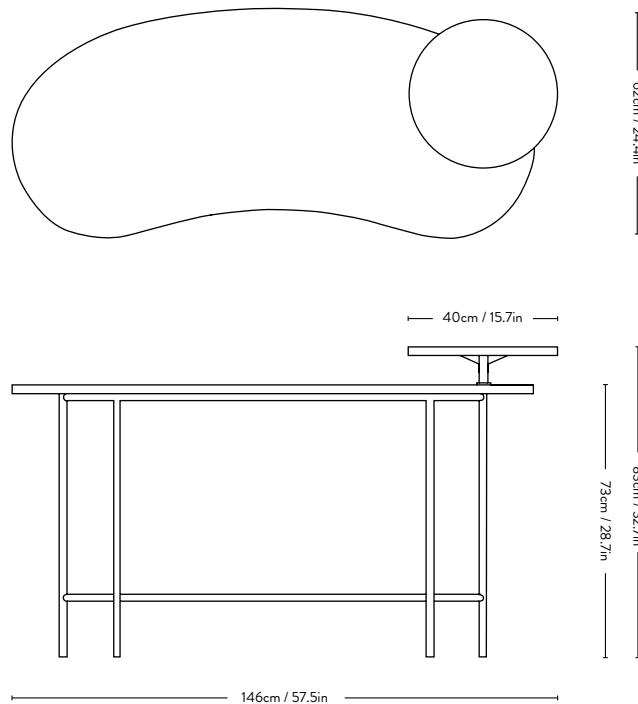


Made using FSC® certified wood, supporting responsible environmental, social and economical management of the world's forests. Visit www.fsc.org

Base	Colour
Steel	Black Powder Coated

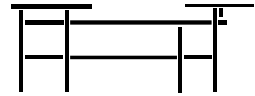
Table top	Variant
Marble	Polished Nero Marquina
Wood	Water Based Lacquered Ash veneer

Plastic gliders installed as standard.



JH9

Palette ^{JH25} Jaime Hayon 2018



Product no.	Variant	Colli qty.	Lead time	Weight	PRICE EX. STATE TAX
133026	Brass, Nero Marquina marble, Black Lacquered Ash veneer	1 pc	Stock item	38.00 kg	4.275



Made using FSC® certified wood, supporting responsible environmental, social and economical management of the world's forests. Visit www.fsc.org

Base Variant

Steel Black Powder Coated

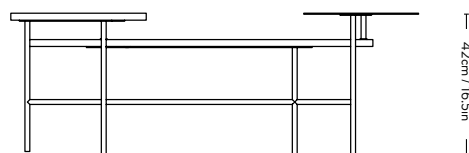
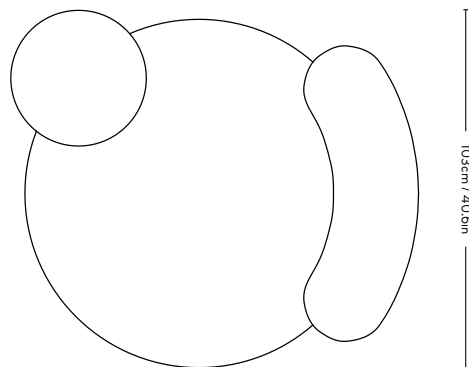
Table top Variant

Metal Satin polished brass

Marble Polished Nero Marquina

Wood Water Based Lacquered Ash veneer

Plastic gliders installed as standard.



118cm / 46.5in

JH25

Shuffle ^{MH1} Mia Hamborg 2010



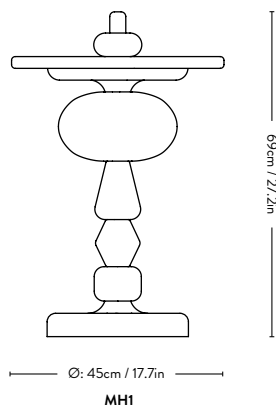
Product no.	Variant	Colli qty.	Lead time	Weight	PRICE EX. STATE TAX
132275A392	Spectrum	1 pc	Stock item	11.00 kg	900
132275A391	Array	1 pc	Stock item	11.00 kg	900



Made using FSC® certified wood, supporting responsible environmental, social and economical management of the world's forests. Visit www.fsc.org

Materials: Lacquered MDF and water based Lacquered Oak.

Spare parts available. Please refer to the 'Spare Parts' section.

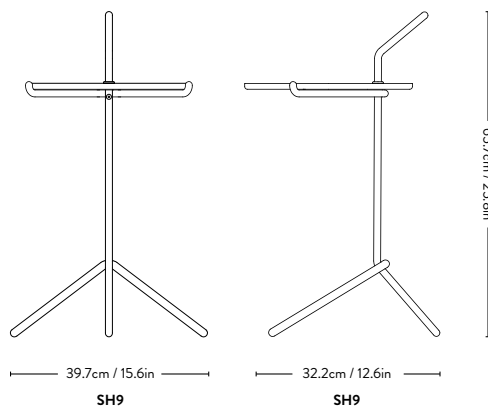


Halten ^{SH9} Sebastian Herkner 2024



Product no.	Variant	Colli qty.	Lead time	Weight	PRICE EX. STATE TAX
135522A428	Smoked Glass w. Warm black	1 pc	Stock item	6.74 kg	790
135521A427	Verde Guatemala w. Warm black	1 pc	Stock item	6.96 kg	720
135524A428	Smoked Glass w. Polished stainless steel	1 pc	Stock item	6.74 kg	835
135523A427	Verde Guatemala w. Polished stainless steel	1 pc	Stock item	6.96 kg	765

Materials: Steel, marble and cast glass



NEW

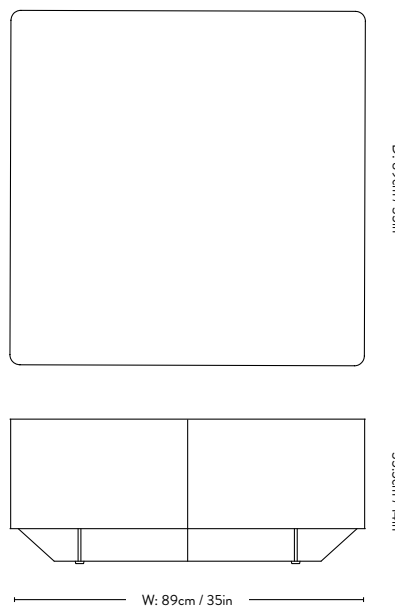
Develius ^{EV3} Edward van Vliet 2026



Product no.	Variant	Colli qty.	Lead time	Weight	PRICE EX. STATE TAX
155881A410	Ivory	1 pc	Stock item	55.00 kg	1.350
155881A576	Stone Grey	1 pc	Stock item	55.00 kg	1.350

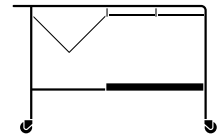
Material: Powder coated steel

Plastic gliders installed as standard



EV3

Alima ^{NDS1} Note Design Studio 2022

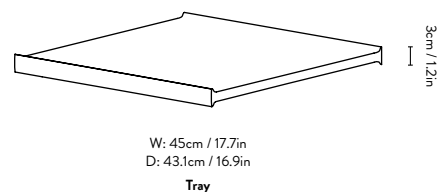
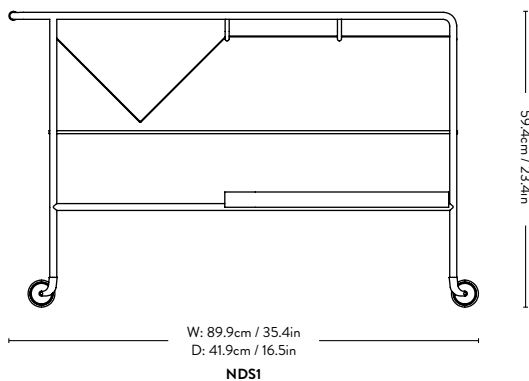


Product no.	Variant	Tray	Colli qty.	Lead time	Weight	PRICE EX. STATE TAX
133046A307	Chrome w. cognac leather handle	Oak	1 pc	Stock item	10.0 kg	1.465
133046A310	Chrome w. cognac leather handle	Walnut	1 pc	Stock item	10.0 kg	1.465
133045A307	Matt black w. black leather handle	Oak	1 pc	Stock item	10.0 kg	1.465
133045A310	Matt black w. black leather handle	Walnut	1 pc	Stock item	10.0 kg	1.465



Made using FSC® certified wood, supporting responsible environmental, social and economical management of the world's forests. Visit www.fsc.org

Material: Steel / Powder coated steel trolley.
Walnut / Oak trays. Leather handle. Castors.



Guild HM14 & HM15

Hvidt & Mølgaard

1954



Product no.	Variant	Size	Product code	Colli qty.	Lead time	Weight	PRICE EX. STATE TAX
139983A250	Oak	75x22.5 cm	HM14	1 pc	Stock item	3.40 kg	675
139983A248	Walnut	75x22.5 cm	HM14	1 pc	Stock item	3.00 kg	790
139984A250	Oak	120x25 cm	HM15	1 pc	Stock item	4.70 kg	1.015
139984A248	Walnut	120x25 cm	HM15	1 pc	Stock item	3.90 kg	1.125



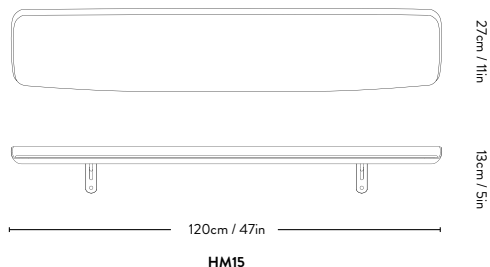
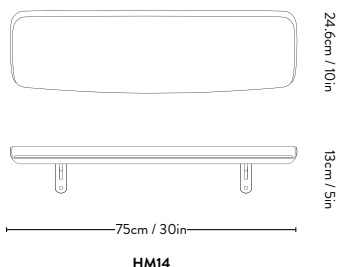
EU Ecolabel certified, validating high standards of durability, circular design, and responsible use of chemicals. Please contact our sales team for a list of EU Ecolabel compliant combinations.

Material: Solid oak or walnut and powder-coated aluminium.

Weight capacity 10 kg



Made using FSC® certified wood, supporting responsible environmental, social and economical management of the world's forests. Visit www.fsc.org



Rotate^{SC73} Space Copenhagen 2022



Product no.	Variant	Colli qty.	Lead time	Weight	PRICE EX. STATE TAX
133044A372	Terracotta	1 pc	Stock item	14.75 kg	675
133044A298	Hunter	1 pc	Stock item	14.75 kg	675
133044A303	Ivory	1 pc	Stock item	14.75 kg	675
133044A328	Merlot	1 pc	Stock item	14.75 kg	675
133044A523	Cobalt Blue	1 pc	Stock item	14.75 kg	675
133044A524	Dark Plum	1 pc	Stock item	14.75 kg	675
133044A525	Stone Grey	1 pc	Stock item	14.75 kg	675



EU Ecolabel certified, validating high standards of durability, circular design, and responsible use of chemicals. Please contact our sales team for a list of EU Ecolabel compliant combinations.

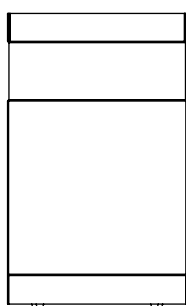
Material: Powder coated steel, MDF, castors.



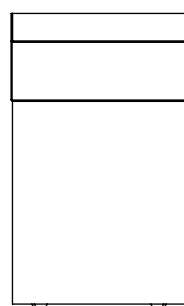
Made using FSC® certified wood, supporting responsible environmental, social and economical management of the world's forests. Visit www.fsc.org

The mark of responsible forestry

Thickness:
0.2cm / 0.08in



W: 35cm / 13.78in



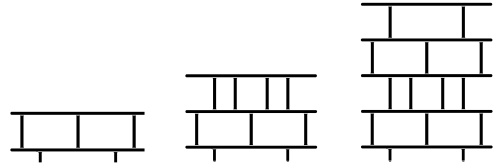
D: 35cm / 13.78in

59cm / 23.23in

Archivo JH43, JH44 & JH45

Jaime Hayon

2024



Product no.	Variant	Product code	Colli qty.	Lead time	Weight	PRICE EX. STATE TAX
138380A468	Sky Blue	JH43	1 pc	Stock item	30.00 kg	1.800
138380A491	Black Grey	JH43	1 pc	Stock item	30.00 kg	1.800
138380A469	Oak	JH43	1 pc	Stock item	30.00 kg	2.700
138381A468	Sky Blue	JH44	1 pc	Stock item	48.50 kg	2.925
138381A491	Black Grey	JH44	1 pc	Stock item	48.50 kg	2.925
138381A469	Oak	JH44	1 pc	Stock item	48.50 kg	4.500
138382A468	Sky Blue	JH45	1 pc	Stock item	80.50 kg	4.500
138382A491	Black Grey	JH45	1 pc	Stock item	80.50 kg	4.500
138382A469	Oak	JH45	1 pc	Stock item	80.50 kg	6.750



Made using FSC® certified wood, supporting responsible environmental, social and economical management of the world's forests. Visit www.fsc.org

Material:

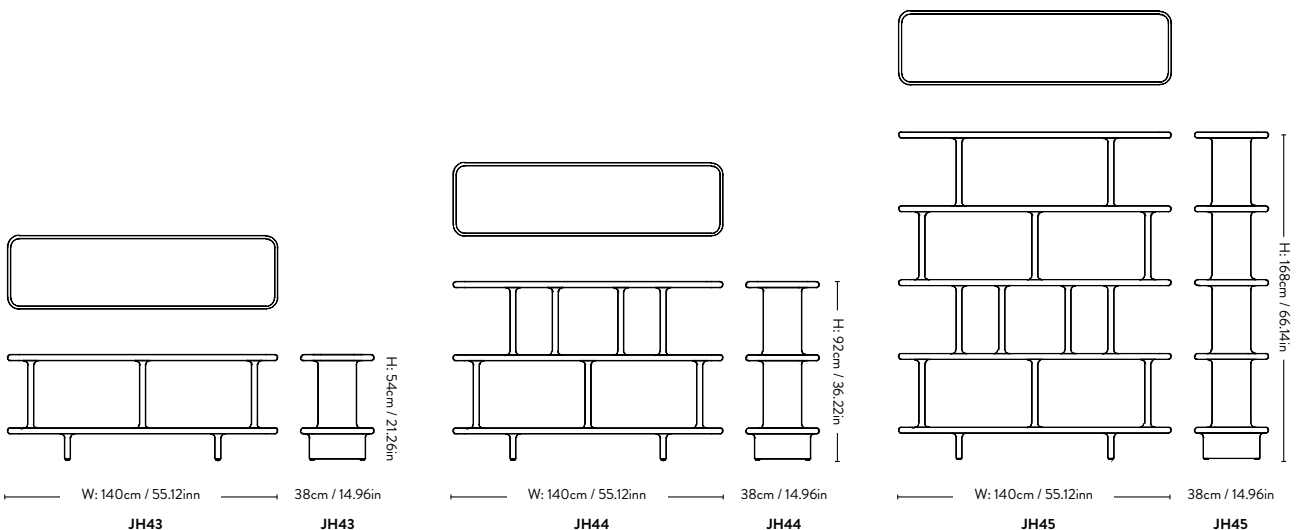
Sky Blue & Black Grey: MDF, water-based lacquer.

Oak: Solid oak, oak veneer, MDF, water-based lacquer.

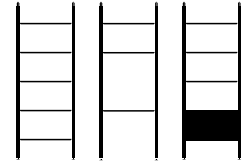
Plastic gliders are installed as standard.

Spare part single shelf is available .

Please refer to the 'Spare Parts' section.



Rombe IF1, IF2 & IF3 Industrial Facility 2025

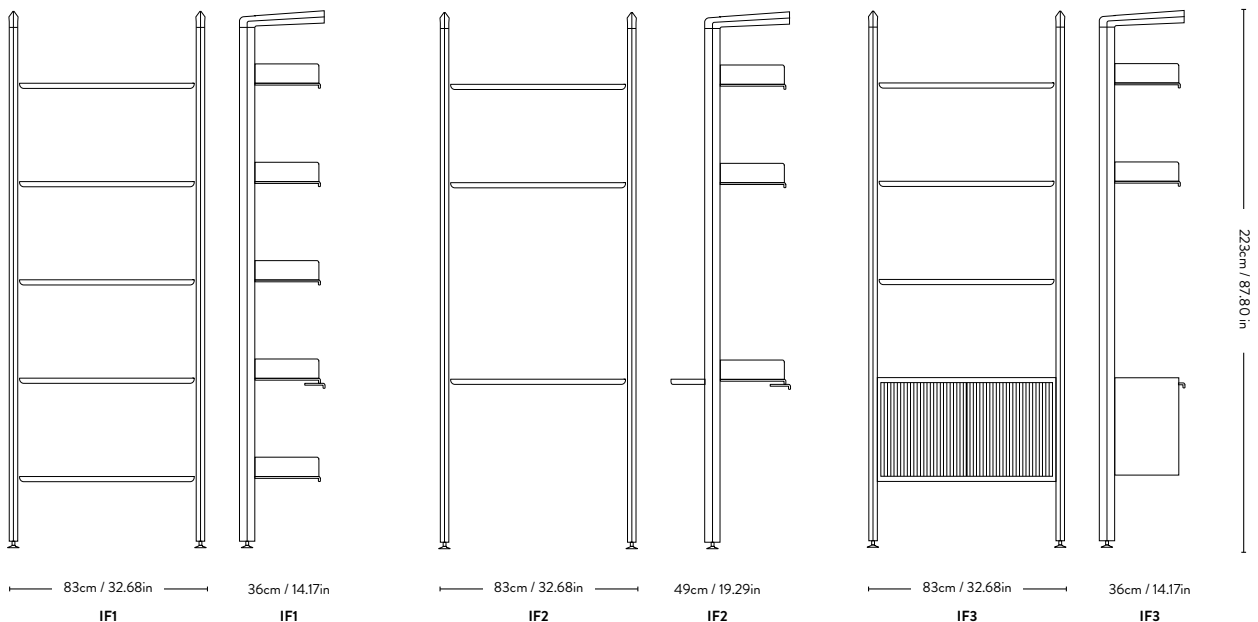


Product no.	Product	Product code	Variant	Lead time	Weight	PRICE EX. STATE TAX
146219A544	Rombe Full Bay Shelves	IF1	Alabaster w. Alabaster shelves	Stock item	30.30 kg	1.570
146219A542			Alabaster w. Lacquered Oak shelves	Stock item	28.00 kg	1.795
146220A545			Anthracite w. Anthracite shelves	Stock item	30.30 kg	1.570
146220A543			Anthracite w. Lacquered Walnut shelves	Stock item	28.00 kg	1.795
146223A544	Rombe Full Bay Desk	IF2	Alabaster w. Alabaster shelves	Stock item	22.00 kg	1.370
146223A542			Alabaster w. Lacquered Oak shelves	Stock item	20.90 kg	1.460
146224A545			Anthracite w. Anthracite shelves	Stock item	22.00 kg	1.370
146224A543			Anthracite w. Lacquered Walnut shelves	Stock item	20.90 kg	1.460
146227A544	Rombe Full Bay Cabinet	IF3	Alabaster w. Alabaster shelves	Stock item	48.00 kg	1.885
146227A542			Alabaster w. Lacquered Oak shelves	Stock item	46.20kg	2.020
146228A545			Anthracite w. Anthracite shelves	Stock item	48.00 kg	1.885
146228A543			Anthracite w. Lacquered Walnut shelves	Stock item	46.20 kg	2.020

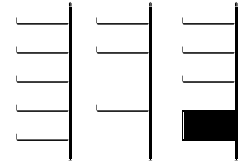


Made using FSC® certified wood, supporting responsible environmental, social and economical management of the world's forests. Visit www.fsc.org

Material: Aluminium, steel, wood venner, MDF, glass



Rombe IF4, IF5 & IF6 Industrial Facility 2025



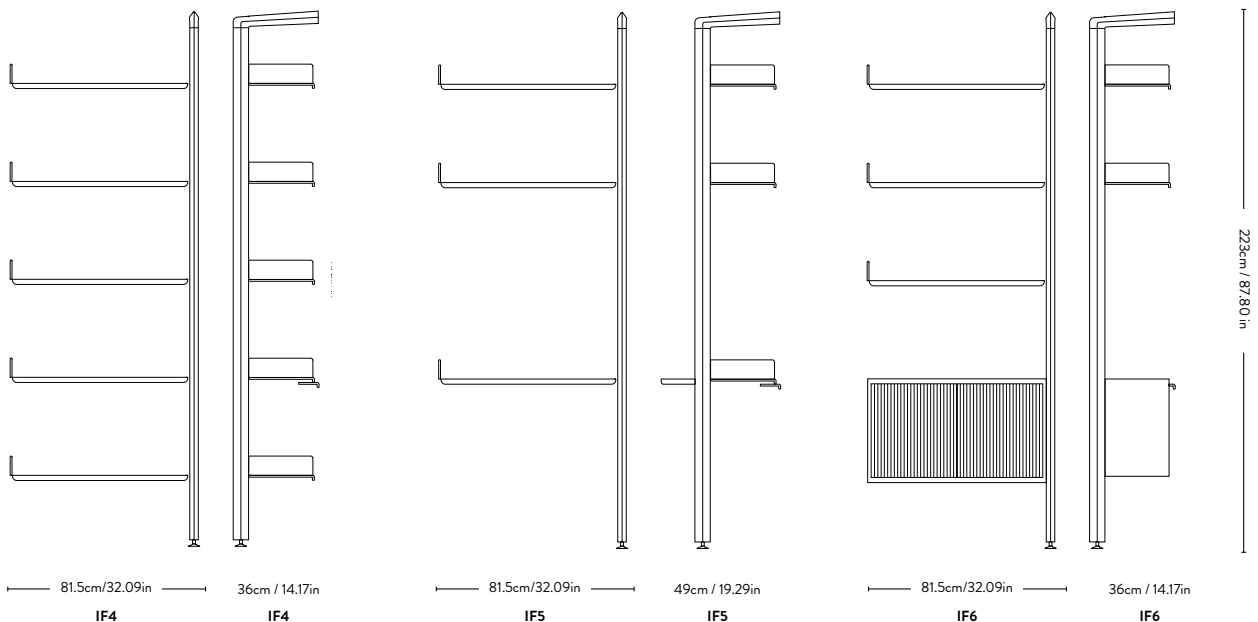
Product no.	Product	Product code	Variant	Lead time	Weight	PRICE EX. STATE TAX
146231A544	Rombe Add-on Bay Shelves IF4		Alabaster w. Alabaster shelves	Stock item	26.90 kg	1.235
146231A542			Alabaster w. Lacquered Oak shelves	Stock item	24.60 kg	1.460
146232A545			Anthracite w. Anthracite shelves	Stock item	26.90 kg	1.235
146232A543			Anthracite w. Lacquered Walnut shelves	Stock item	24.60 kg	1.460
146235A544	Rombe Add-on Bay Desk IF5		Alabaster w. Alabaster shelves	Stock item	18.60 kg	1.035
146235A542			Alabaster w. Lacquered Oak shelves	Stock item	17.50 kg	1.125
146236A545			Anthracite w. Anthracite shelves	Stock item	18.60 kg	1.035
146236A543			Anthracite w. Lacquered Walnut shelves	Stock item	17.50 kg	1.125
146239A544	Rombe Add-on Bay Cabinet IF6		Alabaster w. Alabaster shelves	Stock item	44.50 kg	1.550
146239A542			Alabaster w. Lacquered Oak shelves	Stock item	42.90 kg	1.685
146240A545			Anthracite w. Anthracite shelves	Stock item	44.50 kg	1.550
146240A543			Anthracite w. Lacquered Walnut shelves	Stock item	42.90 kg	1.685

Product no.	Product	Variant	Lead time	PRICE EX. STATE TAX
146243 A544	Shelf Rombe 1 pc Steel	Alabaster shelves	Stock item	180
146243 A545	Shelf Rombe 1 pc Steel	Anthracite shelves	Stock item	180
146244 A542	Shelf Rombe 1 pc Veneer	Lacquered oak shelves	Stock item	225
146244 A543	Shelf Rombe 1 pc Veneer	Lacquered walnut shelves	Stock item	225
146267 A544	Cabinet Shelf Rombe IF3 & IF6 1 pc Steel	Alabaster shelves	Stock item	135
146267 A545	Cabinet Shelf Rombe IF3 & IF6 1 pc Steel	Anthracite shelves	Stock item	135

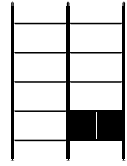


Made using FSC® certified wood, supporting responsible environmental, social and economical management of the world's forests. Visit www.fsc.org

Material: Aluminium, steel, wood veneer, MDF, glass

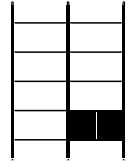


Rombe IF1-IF6 Industrial Facility 2025



Product no.	Product code	Variant	Lead time	PRICE EX. STATE TAX
146462A544	Configuration A (IF1, IF4)	Alabaster w. Alabaster shelves	Stock item	2.800
146462A542		Alabaster w. Lacquered Oak shelves	Stock item	3.250
146498A545		Anthracite w. Anthracite shelves	Stock item	2.800
146498A543		Anthracite w. Lacquered Walnut shelves	Stock item	3.250
146463A544	Configuration B (IF1, IF5)	Alabaster w. Alabaster shelves	Stock item	2.600
146463A542		Alabaster w. Lacquered Oak shelves	Stock item	2.915
146499A545		Anthracite w. Anthracite shelves	Stock item	2.600
146499A543		Anthracite w. Lacquered Walnut shelves	Stock item	2.915
146464A544	Configuration C (IF1, IF6)	Alabaster w. Alabaster shelves	Stock item	3.115
146464A542		Alabaster w. Lacquered Oak shelves	Stock item	3.475
146500A545		Anthracite w. Anthracite shelves	Stock item	3.115
146500A543		Anthracite w. Lacquered Walnut shelves	Stock item	3.475
146465A544	Configuration D (IF3, IF5)	Alabaster w. Alabaster shelves	Stock item	2.915
146465A542		Alabaster w. Lacquered Oak shelves	Stock item	3.140
146501A545		Anthracite w. Anthracite shelves	Stock item	2.915
146501A543		Anthracite w. Lacquered Walnut shelves	Stock item	3.140
146466A544	Configuration E (IF3, IF6)	Alabaster w. Alabaster shelves	Stock item	3.435
146466A542		Alabaster w. Lacquered Oak shelves	Stock item	3.705
146502A545		Anthracite w. Anthracite shelves	Stock item	3.435
146502A543		Anthracite w. Lacquered Walnut shelves	Stock item	3.705
146467A544	Configuration F (IF1, IF4, IF4)	Alabaster w. Alabaster shelves	Stock item	4.030
146467A542		Alabaster w. Lacquered Oak shelves	Stock item	4.705
146503A545		Anthracite w. Anthracite shelves	Stock item	4.030
146503A543		Anthracite w. Lacquered Walnut shelves	Stock item	4.705
146468A544	Configuration G (IF1, IF4, IF5)	Alabaster w. Alabaster shelves	Stock item	3.830
146468A542		Alabaster w. Lacquered Oak shelves	Stock item	4.370
146504A545		Anthracite w. Anthracite shelves	Stock item	3.830
146504A543		Anthracite w. Lacquered Walnut shelves	Stock item	4.370
146469A544	Configuration H (IF1, IF4, IF6)	Alabaster w. Alabaster shelves	Stock item	4.350
146469A542		Alabaster w. Lacquered Oak shelves	Stock item	4.935
146505A545		Anthracite w. Anthracite shelves	Stock item	4.350
146505A543		Anthracite w. Lacquered Walnut shelves	Stock item	4.935
146470A544	Configuration I (IF2, IF4, IF5)	Alabaster w. Alabaster shelves	Stock item	3.630
146470A542		Alabaster w. Lacquered Oak shelves	Stock item	4.035
146506A545		Anthracite w. Anthracite shelves	Stock item	3.630
146506A543		Anthracite w. Lacquered Walnut shelves	Stock item	4.035
146471A544	Configuration J (IF3, IF6, IF5)	Alabaster w. Alabaster shelves	Stock item	4.465
146471A542		Alabaster w. Lacquered Oak shelves	Stock item	4.825
146507A545		Anthracite w. Anthracite shelves	Stock item	4.465
146507A543		Anthracite w. Lacquered Walnut shelves	Stock item	4.825

Rombe IF1-IF6 Industrial Facility 2025



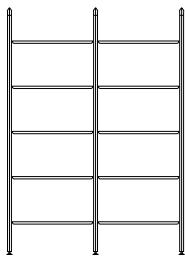
Product no.	Product code	Variant	Lead time	PRICE EX. STATE TAX
146472A544	Configuration K	Alabaster w. Alabaster shelves	Stock item	4.980
146472A542	(IF3, IF6, IF6)	Alabaster w. Lacquered Oak shelves	Stock item	5.385
146508A545		Anthracite w. Anthracite shelves	Stock item	4.980
146508A543		Anthracite w. Lacquered Walnut shelves	Stock item	5.385



Made using FSC® certified wood, supporting responsible environmental, social and economical management of the world's forests. Visit www.fsc.org

Material: Aluminium, steel, wood venner, MDF, glass

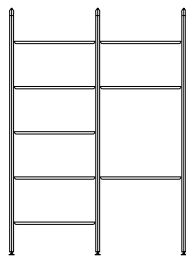
Configuration A



W: 164.5cm / 64.77in

IF1 IF4

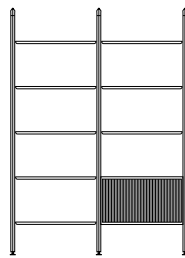
Configuration B



W: 164.5cm / 64.77in

IF1 IF5

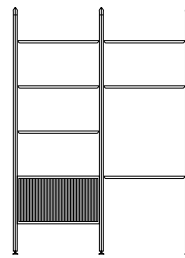
Configuration C



W: 164.5cm / 64.77in

IF1 IF6

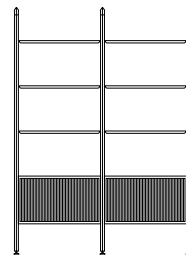
Configuration D



W: 164.5cm / 64.77in

IF3 IF5

Configuration E

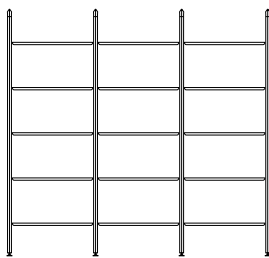


W: 164.5cm / 64.77in

IF3 IF6

H: 223cm / 87.80 in

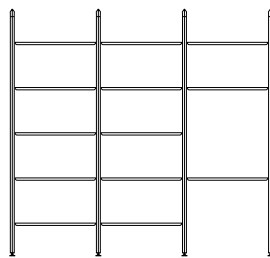
Configuration F



W: 246cm / 96.86in

IF1 IF4 IF4

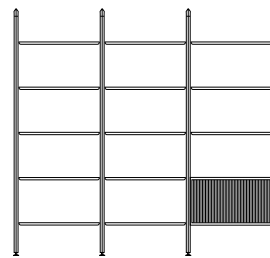
Configuration G



W: 246cm / 96.86in

IF1 IF4 IF5

Configuration H

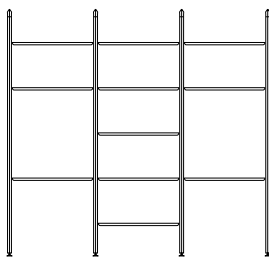


W: 246cm / 96.86in

IF1 IF4 IF6

H: 223cm / 87.80 in

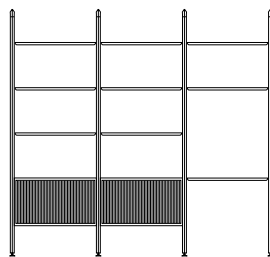
Configuration I



W: 246cm / 96.86in

IF2 IF4 IF5

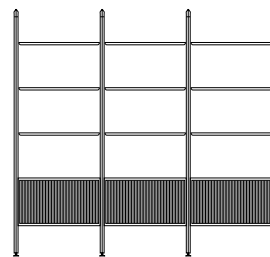
Configuration J



W: 246cm / 96.86in

IF3 IF6 IF5

Configuration K

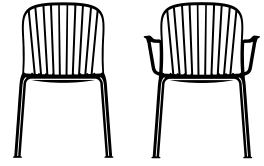


W: 246cm / 96.86in

IF3 IF6 IF6

H: 223cm / 87.80 in

Thorvald SC94 & SC95 Space Copenhagen 2024



Product no.	Product	Variant	Product code	Colli qty.	Lead time	Weight	PRICE EX. STATE TAX
134555	Side chair	Warm Black	SC94	2 pcs	Stock item	7.00 kg	495
134556	Side chair	Bronze Green	SC94	2 pcs	Stock item	7.00 kg	495
134557	Side chair	Ivory	SC94	2 pcs	Stock item	7.00 kg	495
134558	Armchair	Warm Black	SC95	2 pcs	Stock item	8.50 kg	585
134559	Armchair	Bronze Green	SC95	2 pcs	Stock item	8.50 kg	585
134560	Armchair	Ivory	SC95	2 pcs	Stock item	8.50 kg	585
136258A237A156B998	Chair Seat Pad	Heritage Papyrus	SC94/SC95	1 pc	6-8 weeks	0.30 kg	145
136258A237A156B997	Chair Seat Pad	Heritage Char	SC94/SC95	1 pc	6-8 weeks	0.30 kg	145
136258A237A179C048	Chair Seat Pad	Marquetry Bora	SC94/SC95	1 pc	6-8 weeks	0.30 kg	170
135528A237A156B998	Chair Cushion	Heritage Papyrus	SC94/SC95	1 pc	6-8 weeks	0.60 kg	225
135528A237A156B997	Chair Cushion	Heritage Char	SC94/SC95	1 pc	6-8 weeks	0.60kg	225
135528A237A179C048	Chair Cushion	Marquetry Bora	SC94/SC95	1 pc	6-8 weeks	0.60 kg	270



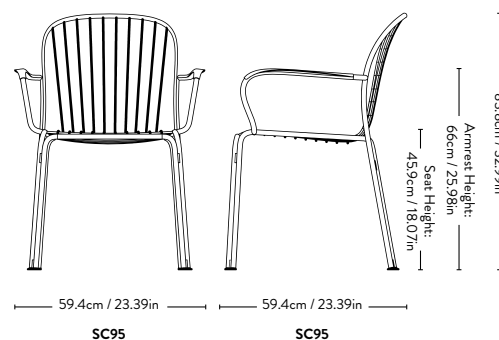
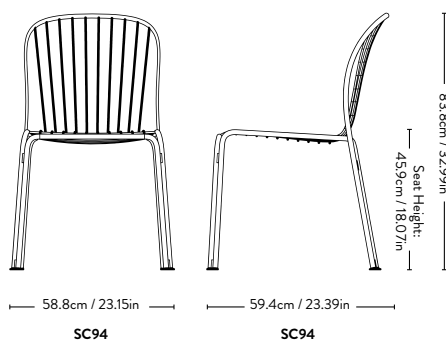
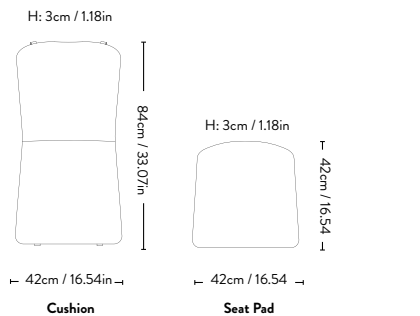
EU Ecolabel certified, validating high standards of durability, circular design, and responsible use of chemicals. Please contact our sales team for a list of EU Ecolabel compliant combinations.

Materials:

Chairs: Powder coated steel

Cushions: Fast drying foam and wadding with water repellent and stain proof textile and metal buttons

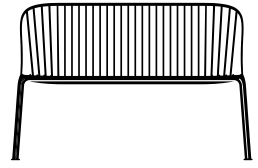
Stacking quantity: 6 pcs



NEW

Thorvald SC111

Space Copenhagen 2026



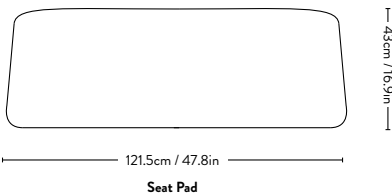
Product no.	Product	Variant	Product code	Colli qty.	Lead time	Weight	PRICE EX. STATE TAX
148188	Dining Bench	Warm Black	SC111	1 pc	Stock item	16.90 kg	1.015
148189	Dining Bench	Bronze Green	SC111	1 pc	Stock item	16.90 kg	1.015
148190	Dining Bench	Ivory	SC111	1 pc	Stock item	16.90 kg	1.015
155884A237A156B997	Dining Bench Cushion	Heritage Char	SC111	1 pc	Stock item	1.75 kg	450
155884A237A156B998	Dining Bench Cushion	Heritage Papyrus	SC111	1 pc	Stock item	1.75 kg	450
155884A237A179C048	Dining Bench Cushion	Marquetry Bora	SC111	1 pc	Stock item	1.75 kg	540
155885A237A156B997	Dining Bench Seat pad	Heritage Char	SC111	1 pc	Stock item	1.00 kg	340
155885A237A156B998	Dining Bench Seat pad	Heritage Papyrus	SC111	1 pc	Stock item	1.00 kg	340
155885A237A179C048	Dining Bench Seat pad	Marquetry Bora	SC111	1 pc	Stock item	1.00 kg	385

Materials:

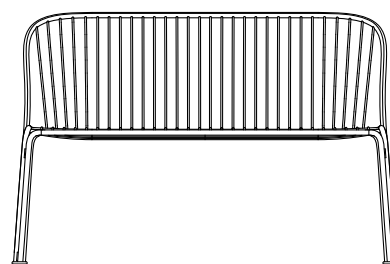
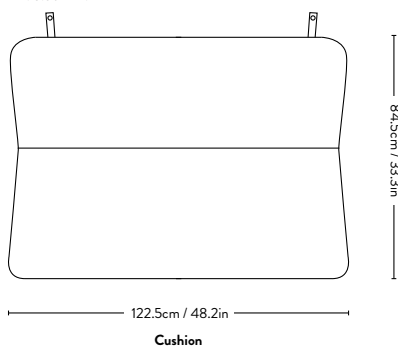
Chairs: Powder coated steel

Cushions/Seat pads: Fast drying foam and wadding with water repellent and stain proof textile and metal buttons

H: 3.5cm / 1.4in

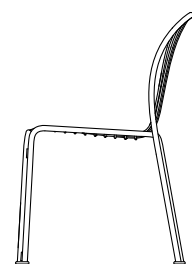


H: 3.5cm / 1.4in



120.2cm / 47.3in

SC111



60cm / 23.6in

SC111

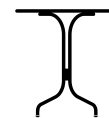
84cm / 33in

Seat Height: 45.9cm / 18.07in

Seat Depth: 41.6cm / 16.4in

Thorvald SC96-SC97

Space Copenhagen 2024

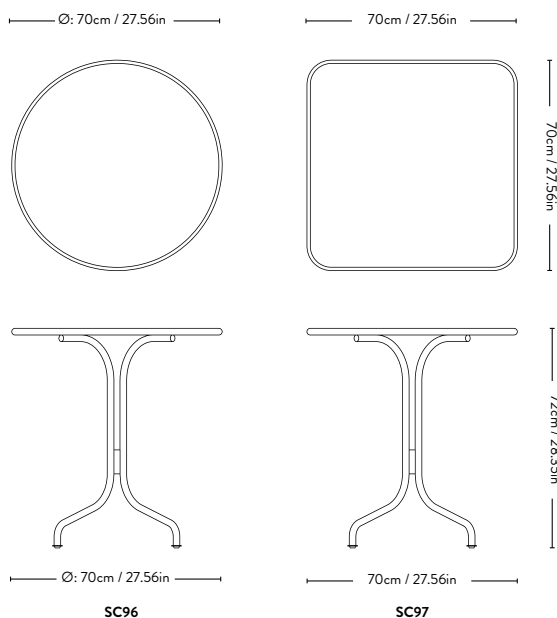


Product no.	Product	Variant	Size	Product code	Colli qty.	Lead time	Weight	PRICE EX. STATE TAX
135149A408	Café Table Round	Warm Black	Ø70	SC96	1 pc	Stock item	11.90 kg	1.015
135150A409	Café Table Round	Bronze Green	Ø70	SC96	1 pc	Stock item	11.90 kg	1.015
135151A410	Café Table Round	Ivory	Ø70	SC96	1 pc	Stock item	11.90 kg	1.015
135152A408	Café Table Square	Warm Black	70 x 70	SC97	1 pc	Stock item	14.30 kg	1.015
135153A409	Café Table Square	Bronze Green	70 x 70	SC97	1 pc	Stock item	14.30 kg	1.015
135154A410	Café Table Square	Ivory	70 x 70	SC97	1 pc	Stock item	14.30 kg	1.015

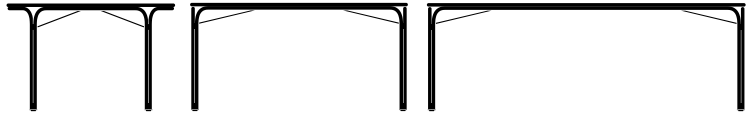


EU Ecolabel certified, validating high standards of durability, circular design, and responsible use of chemicals. Please contact our sales team for a list of EU Ecolabel compliant combinations.

Materials: Powder coated steel



Thorvald SC98-SC99 & SC113 Space Copenhagen 2024

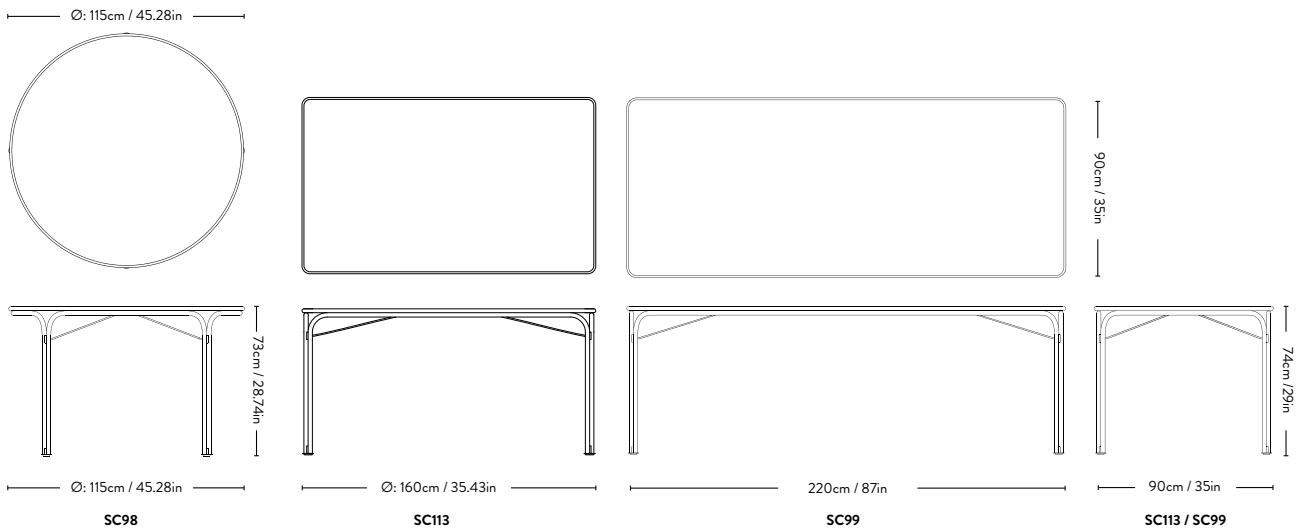


Product no.	Product	Variant	Size	Product code	Colli qty.	Lead time	Weight	PRICE EX. STATE TAX
135157A408	Dining Table Round	Warm Black	Ø115	SC98	1 pc	Stock item	13.30 kg	1.575
135158A409	Dining Table Round	Bronze Green	Ø115	SC98	1 pc	Stock item	13.30 kg	1.575
135159A410	Dining Table Round	Ivory	Ø115	SC98	1 pc	Stock item	13.30 kg	1.575
148194A408	Dining Table NEW	Warm Black	160 x 90	SC113	1 pc	Stock item	38.30 kg	1.800
148195A409	Dining Table NEW	Bronze Green	160 x 90	SC113	1 pc	Stock item	38.30 kg	1.800
148196A410	Dining Table NEW	Ivory	160 x 90	SC113	1 pc	Stock item	38.30 kg	1.800
138733A408	Dining Table	Warm Black	220 x 90	SC99	1 pc	Stock item	47.70 kg	2.250
138734A409	Dining Table	Bronze Green	220 x 90	SC99	1 pc	Stock item	47.70 kg	2.250
138735A410	Dining Table	Ivory	220 x 90	SC99	1 pc	Stock item	47.70 kg	2.250



EU Ecolabel certified, validating high standards of durability, circular design, and responsible use of chemicals. Please contact our sales team for a list of EU Ecolabel compliant combinations.

Materials: Powder coated steel



NEW

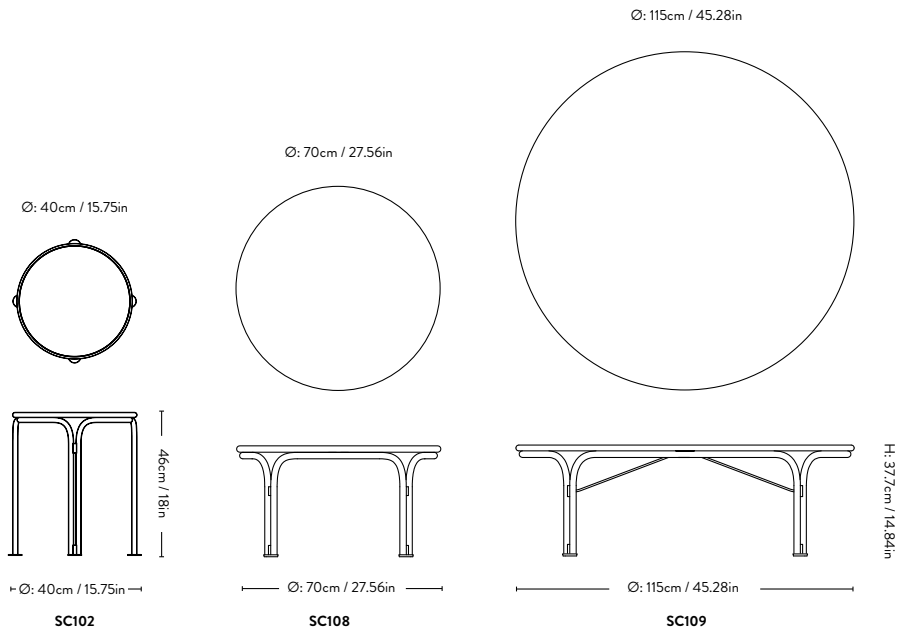
Thorvald SC102, SC108 & SC109

Space Copenhagen 2026

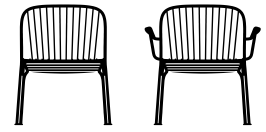


Product no.	Product	Variant	Size	Product code	Colli qty.	Lead time	Weight	PRICE EX. STATE TAX
135638	Side Table	Warm Black	Ø40	SC102	1 pc	Stock item	4.20 kg	405
135639	Side Table	Bronze Green	Ø40	SC102	1 pc	Stock item	4.20 kg	405
135640	Side Table	Ivory	Ø40	SC102	1 pc	Stock item	4.20 kg	405
148179A408	Coffee Table	Warm Black	Ø70	SC108	1 pc	Stock item	12.00 kg	900
148180A409	Coffee Table	Bronze Green	Ø70	SC108	1 pc	Stock item	12.00 kg	900
148181A410	Coffee Table	Ivory	Ø70	SC108	1 pc	Stock item	12.00 kg	900
148182A408	Coffee Table	Warm Black	Ø115	SC109	1 pc	Stock item	22.50 kg	1.240
148183A409	Coffee Table	Bronze Green	Ø115	SC109	1 pc	Stock item	22.50 kg	1.240
148184A410	Coffee Table	Ivory	Ø115	SC109	1 pc	Stock item	22.50 kg	1.240

Materials: Powder coated steel



Thorvald SC100 & SC101 Space Copenhagen 2024

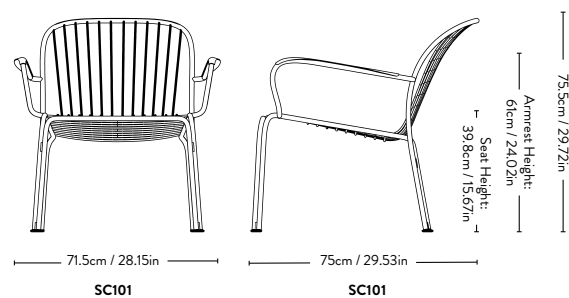
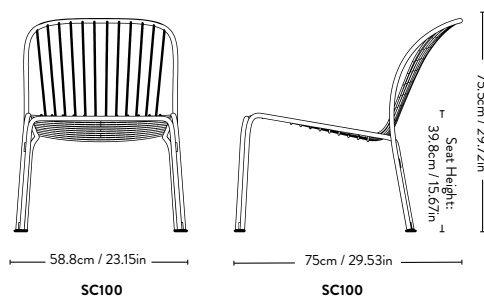
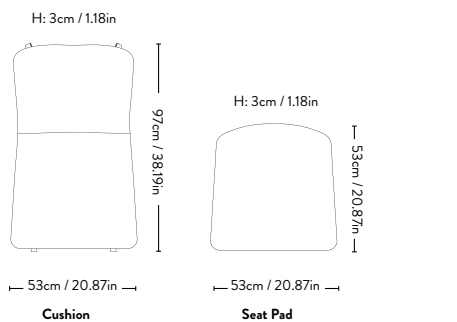


Product no.	Product	Variant	Product code	Colli qty.	Lead time	Weight	PRICE EX. STATE TAX
135632	Lounge Side chair	Warm Black	SC100	2 pcs	Stock item	7.80 kg	675
135633	Lounge Side chair	Bronze Green	SC100	2 pcs	Stock item	7.80 kg	675
135634	Lounge Side chair	Ivory White	SC100	2 pcs	Stock item	7.80 kg	675
135635	Lounge Armchair	Warm Black	SC101	2 pcs	Stock item	9.20 kg	790
135636	Lounge Armchair	Bronze Green	SC101	2 pcs	Stock item	9.20 kg	790
135637	Lounge Armchair	Ivory White	SC101	2 pcs	Stock item	9.20 kg	790
136259A237A156B998	Lounge Chair Seat Pad	Heritage Papyrus	SC100 / SC101	1 pc	Stock item	0.35 kg	170
136259A237A156B997	Lounge Chair Seat Pad	Heritage Char	SC100 / SC101	1 pc	Stock item	0.35 kg	170
136259A237A179C048	Lounge Chair Seat Pad	Marquetry Bora	SC100 / SC101	1 pc	Stock item	0.35 kg	190
135631A237A156B998	Lounge Chair Cushion	Heritage Papyrus	SC100 / SC101	1 pc	Stock item	0.70 kg	250
135631A237A156B997	Lounge Chair Cushion	Heritage Char	SC100 / SC101	1 pc	Stock item	0.70 kg	250
135631A237A179C048	Lounge Chair Cushion	Marquetry Bora	SC100 / SC101	1 pc	Stock item	0.70 kg	295

Materials:

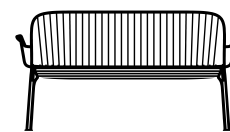
Chairs: Powder coated steel

Cushions: Fast drying foam and wadding with water repellent and stain proof textile and metal buttons



NEW

Thorvald SC110 Space Copenhagen 2026

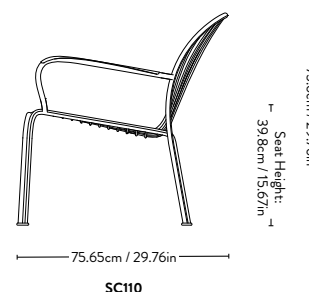
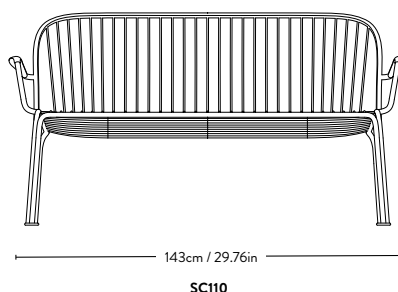
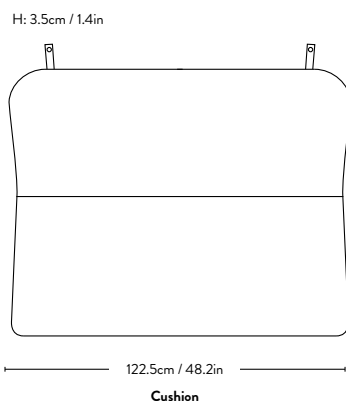
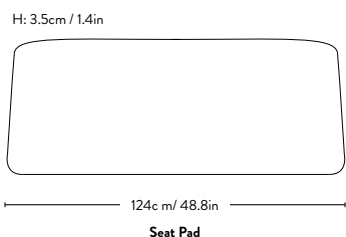


Product no.	Product	Variant	Product code	Colli qty.	Lead time	Weight	PRICE EX. STATE TAX
148185	Lounge Sofa	Warm Black	SC110	1 pc	Stock item	19.40 kg	1.350
148186	Lounge Sofa	Bronze Green	SC110	1 pc	Stock item	19.40 kg	1.350
148187	Lounge Sofa	Ivory	SC110	1 pc	Stock item	19.40 kg	1.350
155882A236A156B997	Lounge Sofa Cushion	Heritage Char	SC110	1 pc	Stock item	2.00 kg	495
155882A236A156B998	Lounge Sofa Cushion	Heritage Papyrus	SC110	1 pc	Stock item	2.00 kg	495
155882A237A179C048	Lounge Sofa Cushion	Marquetry Bora	SC110	1 pc	Stock item	2.00 kg	585
155883A237A156B997	Lounge Sofa Seat pad	Heritage Char	SC110	1 pc	Stock item	1.30 kg	385
155883A237A156B998	Lounge sofa Seat pad	Heritage Papyrus	SC110	1 pc	Stock item	1.30 kg	385
155883A237A179C048	Lounge sofa Seat pad	Marquetry Bora	SC110	1 pc	Stock item	1.30 kg	430

Materials:

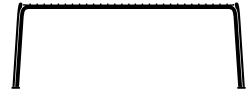
Chairs: Powder coated steel

Cushions/Seat pads: Fast drying foam and wadding with water repellent and stain proof textile and metal buttons



NEW

Thorvald SC112 Space Copenhagen 2026

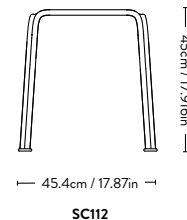
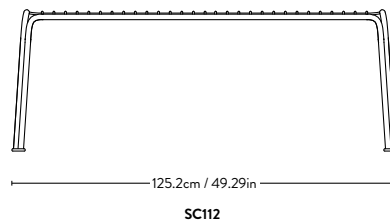
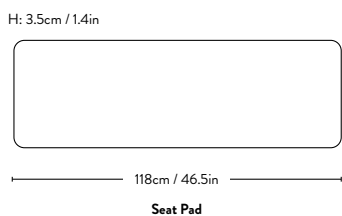


Product no.	Product	Variant	Product code	Colli qty.	Lead time	Weight	PRICE EX. STATE TAX
148191	Bench	Warm Black	SC112	1 pc	Stock item	12.10 kg	790
148192	Bench	Bronze Green	SC112	1 pc	Stock item	12.10 kg	790
148193	Bench	Ivory	SC112	1 pc	Stock item	12.10 kg	790
155887A237A156B997	Bench Seat pad	Heritage Char	SC112	1 pc	Stock item	1.00 kg	340
155887A237A156B998	Bench Seat pad	Heritage Papyrus	SC112	1 pc	Stock item	1.00 kg	340
155887A237A179C048	Bench Seat pad	Marquetry Bora	SC112	1 pc	Stock item	1.00 kg	385

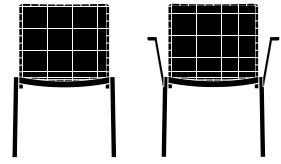
Materials:

Chairs: Powder coated steel

Cushions/Seat pads: Fast drying foam and wadding with water repellent and stain proof textile and metal buttons



Ville AV33 & AV34 Anderssen & Voll 2024



Product no.	Product	Variant	Product code	Colli qty.	Lead time	Weight	PRICE EX. STATE TAX
135177	Side chair	Warm Black	AV33	2 pcs	Stock item	9.50 kg	630
135178	Side chair	Bronze Green	AV33	2 pcs	Stock item	9.50 kg	630
135181	Armchair	Warm Black	AV34	2 pcs	Stock item	8.20 kg	720
135183	Armchair	Bronze Green	AV34	2 pcs	Stock item	8.20 kg	720
135527A237A156B998	Chair Cushion	Heritage Papyrus	AV33/AV34	1 pc	Stock item	0.50 kg	225
135527A237A156B997	Chair Cushion	Heritage Char	AV33/AV34	1 pc	Stock item	0.50 kg	225

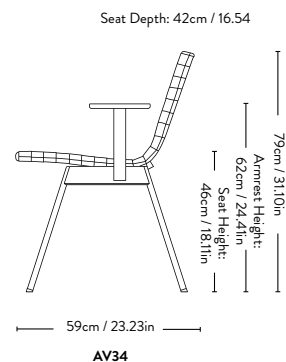
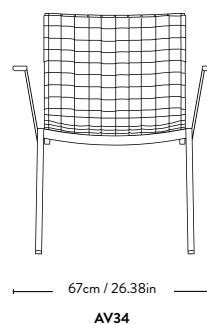
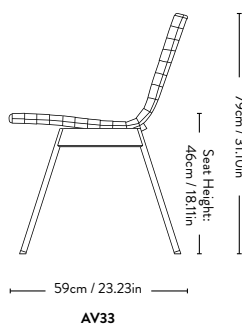
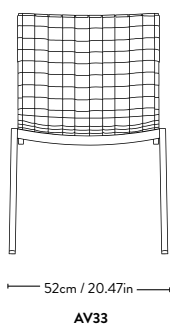
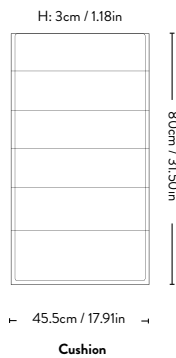


AV34 Armchair made using FSC® certified wood, supporting responsible environmental, social and economical management of the world's forests. Visit www.fsc.org

Materials:

Chairs: Untreated Teak wood, powder coated steel and polyester webbing.
Cushions: Fast drying foam and wadding with water repellent and stain proof textile and metal buttons

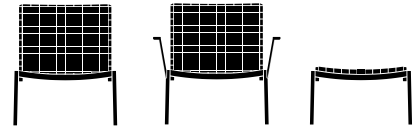
Stacking quantity: 8 pcs



Ville AV44, AV45 & AV46

Anderssen & Voll

2025



Product no.	Product	Variant	Product code	Colli qty.	Lead time	Weight	PRICE EX. STATE TAX
138722	Lounge Chair	Warm Black	AV44	2 pcs	Stock item	10.50 kg	810
138723	Lounge Chair	Bronze Green	AV44	2 pcs	Stock item	10.50 kg	810
138724	Lounge Chair w. arms	Warm Black	AV45	2 pcs	Stock item	11.20 kg	970
138725	Lounge Chair w. arms	Bronze Green	AV45	2 pcs	Stock item	11.20 kg	970
138727	Footstool	Warm Black	AV46	1 pc	Stock item	5.80 kg	450
138728	Footstool	Bronze Green	AV46	1 pc	Stock item	5.80 kg	450
138726A237A156B997	Lounge Chair Cushion	Heritage Char	AV44/AV45	1 pc	Stock item	0.73 kg	270
138726A237A156B998	Lounge Chair Cushion	Heritage Papyrus	AV44/AV45	1 pc	Stock item	0.73 kg	270
139817A237A156B997	Footstool Seat Pad	Heritage Char	AV46	1 pc	Stock item	0.20 kg	135
139817A237A156B998	Footstool Seat Pad	Heritage Papyrus	AV46	1 pc	Stock item	0.20 kg	135

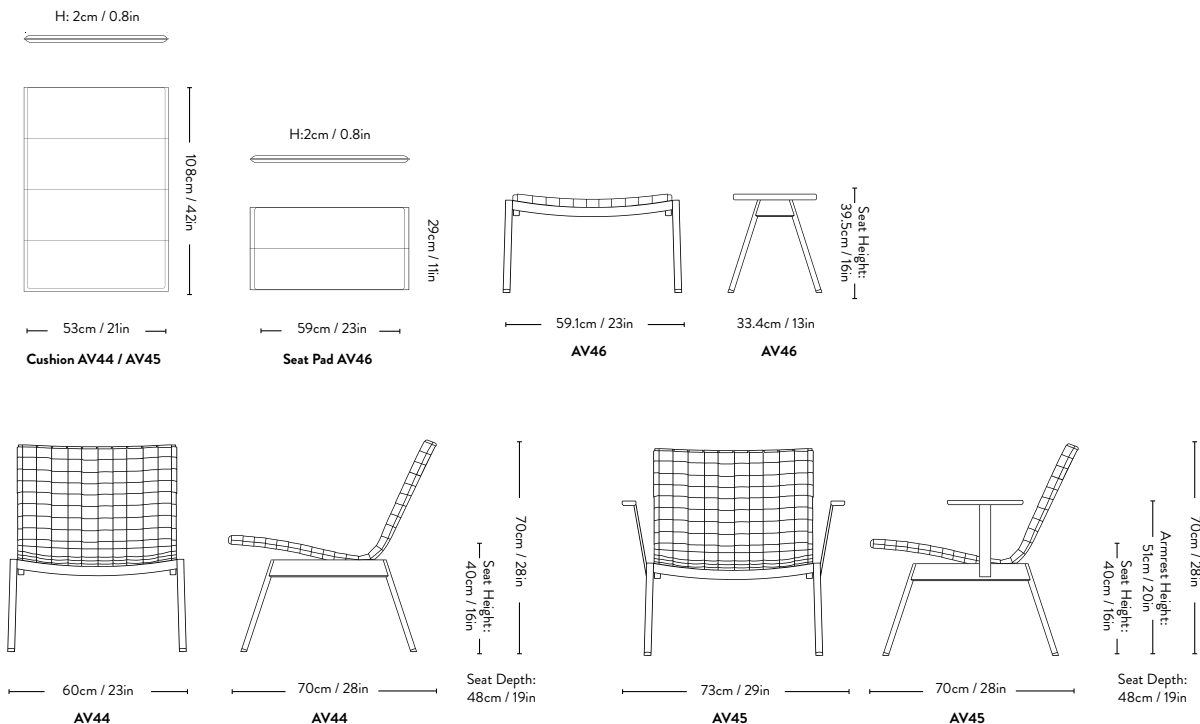


AV45 Lounge Chair w. arms made using FSC® certified wood, supporting responsible environmental, social and economical management of the world's forests. Visit www.fsc.org

Materials:

AV44 & AV46: Powder coated steel and polyester webbing.
 AV45: Untreated Teak wood, powder coated steel and polyester webbing.
 Cushions: Fast drying foam and wadding with water repellent and stain proof textile and metal buttons

Stacking quantity, AV44, AV45 and AV46: 5 pcs



Ville AV27, AV28 & AV47 Anderssen & Voll 2024



Product no.	Product	Size	Variant	Product code	Colli qty.	Lead time	Weight	PRICE EX. STATE TAX
134590	Bench	110x40	Warm Black	AV27	1 pc	Stock item	12.00 kg	1.125
134589	Bench	110x40	Bronze Green	AV27	1 pc	Stock item	12.00 kg	1.125
134592	Bench	180x40	Warm Black	AV28	1 pc	Stock item	17.20 kg	1.350
134591	Bench	180x40	Bronze Green	AV28	1 pc	Stock item	17.20 kg	1.350
138729	Stool	46x40	Warm Black	AV47	1 pc	Stock item	7.20 kg	565
138730	Stool	46x40	Bronze Green	AV47	1 pc	Stock item	7.20 kg	565
135525A237A156B998	Bench Seat Pad	40x110	Heritage Papyrus	AV27	1 pc	Stock item	0.50 kg	225
135525A237A156B997	Bench Seat Pad	40x110	Heritage Char	AV27	1 pc	Stock item	0.50 kg	225
135526A237A156B998	Bench Seat Pad	40x180	Heritage Papyrus	AV28	1 pc	Stock item	0.65 kg	315
135526A237A156B997	Bench Seat Pad	40x180	Heritage Char	AV28	1 pc	Stock item	0.65 kg	315
139818A237A156B997	Stool Seat Pad	46x40	Heritage Char	AV47	1 pc	Stock item	0.22 kg	135
139818A237A156B998	Stool Seat Pad	46x40	Heritage Papyrus	AV47	1 pc	Stock item	0.22 kg	135



AV27, AV28: EU Ecolabel certified, validating high standards of durability, circular design, and responsible use of chemicals. Please contact our sales team for a list of EU Ecolabel compliant combinations.



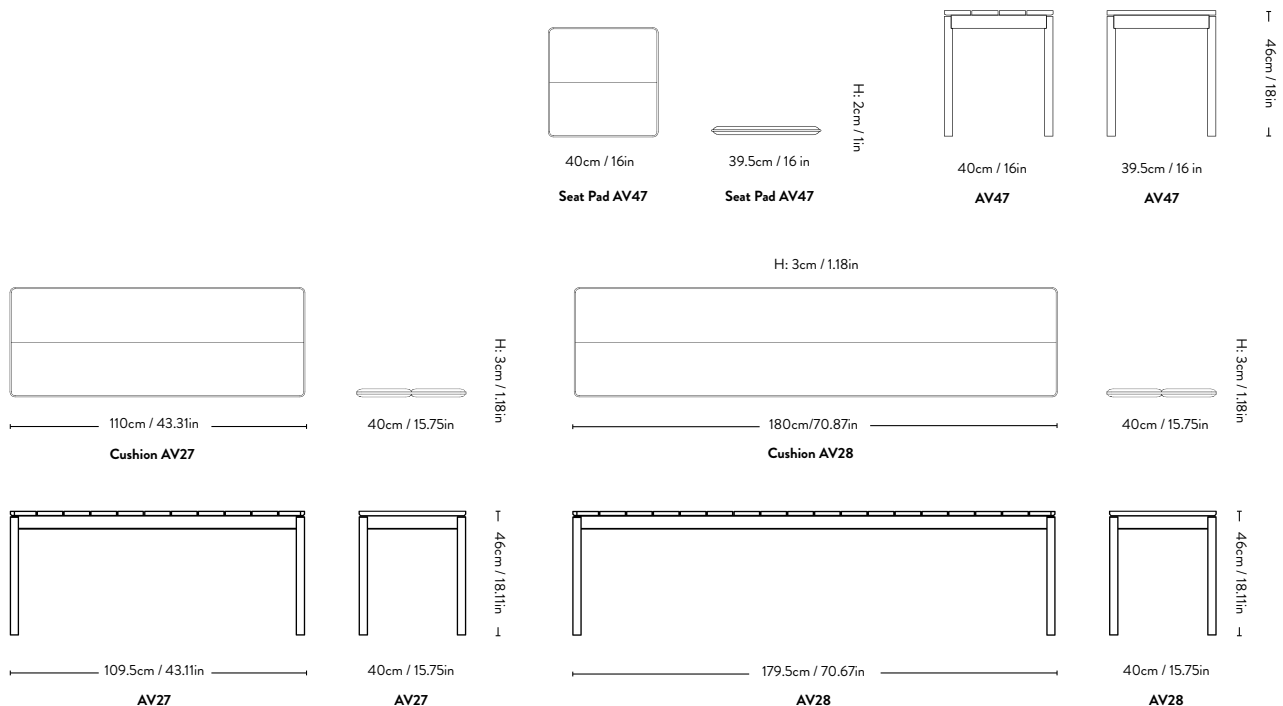
Made using FSC® certified wood, supporting responsible environmental, social and economical management of the world's forests. Visit www.fsc.org

Materials:

Bench & Stool: Untreated teak wood, powder coated steel
Cushions: Fast drying foam and wadding with water repellent and stain proof textile and metal buttons.

AV47, Stackable: 5 pc

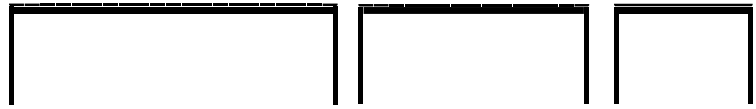
Spare parts available for AV27 and AV28. Please refer to the 'Spare Parts' section.



Ville AV25 & AV26

Anderssen & Voll

2024



Product no.	Product	Size	Base	Product code	Colli qty.	Lead time	Weight	PRICE EX. STATE TAX
134593A398	Table	150x90	Warm Black	AV25	1 pc	Stock item	32.00 kg	2.250
134595A398	Table	150x90	Bronze Green	AV25	1 pc	Stock item	32.00 kg	2.250
134596A398	Table	220x90	Warm Black	AV26	1 pc	Stock item	44.00 kg	2.700
134597A398	Table	220x90	Bronze Green	AV26	1 pc	Stock item	44.00 kg	2.700



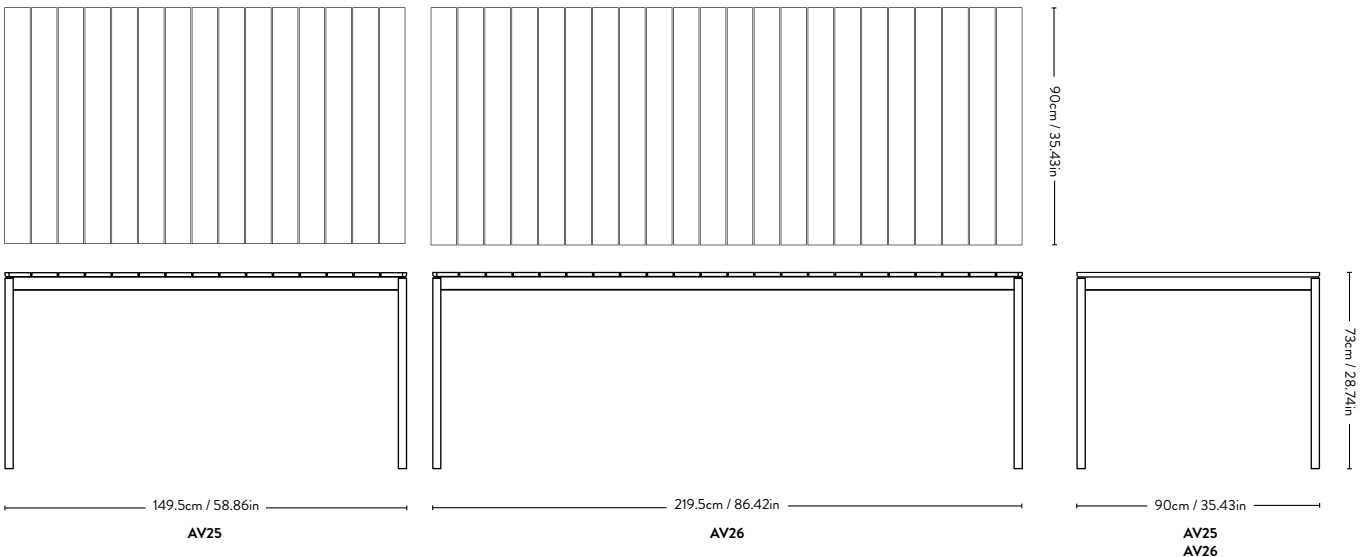
EU Ecolabel certified, validating high standards of durability, circular design, and responsible use of chemicals. Please contact our sales team for a list of EU Ecolabel compliant combinations.

Materials:
Untreated teak wood, powder coated steel

Spare parts available for AV27 and AV28. Please refer to the 'Spare Parts' section.



Made using FSC® certified wood, supporting responsible environmental, social and economical management of the world's forests. Visit www.fsc.org



Ville ^{AV50} Anderssen & Voll 2025



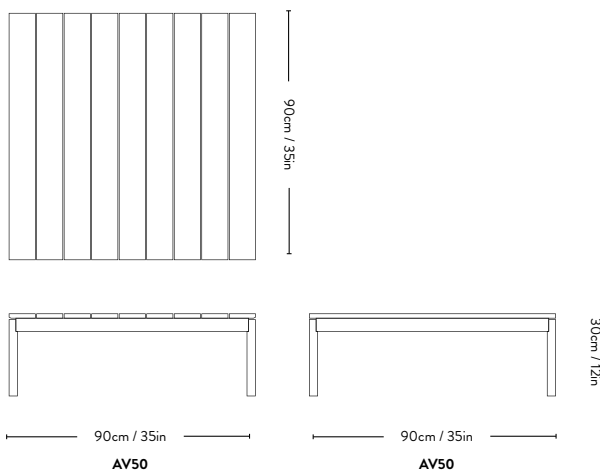
Product no.	Product	Size	Base	Colli qty.	Lead time	Weight	PRICE EX. STATE TAX
138731A398	Coffee Table	90x90	Warm Black	1 pc	Stock item	20.10 kg	1.575
138732A398	Coffee Table	90x90	Bronze Green	1 pc	Stock item	20.10 kg	1.575



Made using FSC® certified wood, supporting responsible environmental, social and economical management of the world's forests. Visit www.fsc.org

Materials:
Untreated teak wood, powder coated steel

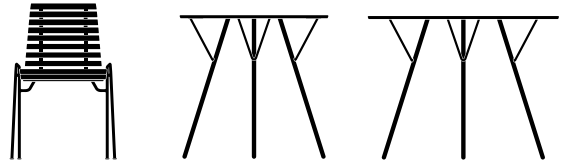
The mark of responsible forestry



RFH RD4, RD5 & RD6

Robin Day

1951



Product no.	Product	Variant	Size	Product code	Colli qty.	Lead time	Weight	PRICE EX. STATE TAX
137922A497	Dining chair	Teak & Black		RD4	2 pcs	Stock item	7.75 kg	630
137925A498	Dining table	Black	Ø75 cm	RD5	1 pc	Stock item	15.20 kg	1.465
137926A498	Dining table	Black	Ø95 cm	RD6	1 pc	Stock item	20.70 kg	1.800
137924A237A156B998	Cushion	Heritage Papyrus		RD4	1 pc	6-8 weeks	0.53 kg	225
137924A237A156B997	Cushion	Heritage Char		RD4	1 pc	6-8 weeks	0.53 kg	225
139816A237A156B997	Seat Pad	Heritage Char		RD4	1 pc	Stock item	0.30 kg	145
139816A237A156B998	Seat Pad	Heritage Papyrus		RD4	1 pc	Stock item	0.30 kg	145

Product no.	Product	Variant	Lead time	PRICE EX. STATE TAX
137923	Plastic glider for RFH RD4, 4 pcs.	Black	Stock item	25
137930	Plastic glider for RFH RD5 & RD6, 4 pcs.	Black	Stock item	25



RD4: EU Ecolabel certified, validating high standards of durability, circular design, and responsible use of chemicals. Please contact our sales team for a list of EU Ecolabel compliant combinations.



RD4 Dining Chair made using FSC® certified wood, supporting responsible environmental, social and economical management of the world's forests. Visit www.fsc.org

Materials:

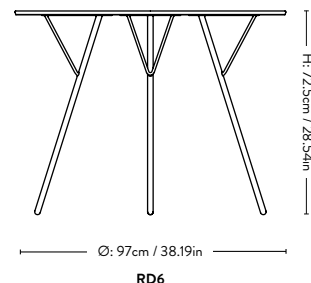
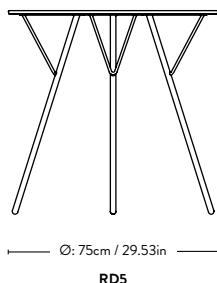
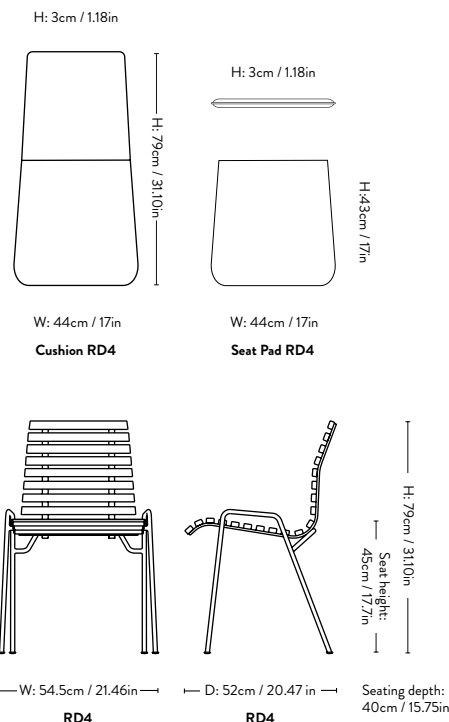
Chair: Solid teak, solid high strength steel frame.

Tables: Powder-coated steel tubing and steel rod, compact high-pressure laminate, acrylic lacquer, melamine resin.

Cushion: Fast drying foam and wadding with water repellent and stain proof textile

Plastic gliders installed as standard.

Spare parts available. Please refer to the 'Spare Parts' section..



NEW

Rely^{HW138} Hee Welling 2026



Product no.	Shell Variant	Base	Colli qty.	Lead time	Weight	PRICE EX. STATE TAX
155823A063	Red Brown	Black	1 pc	3-5 weeks	5.50 kg	430
155823A067	Beige Sand	Black	1 pc	3-5 weeks	5.50 kg	430
155823A064	Light Blue	Black	1 pc	3-5 weeks	5.50 kg	430

Product no.	Product	Variant	Colli qty.	Lead time	PRICE EX. STATE TAX
156123	Plastic glider for Rely Outdoor, Back 2 pcs	Black	1 pc	Stock item	20
156122	Plastic glider for Rely Outdoor, Front 2 pcs	Black	1 pc	Stock item	20

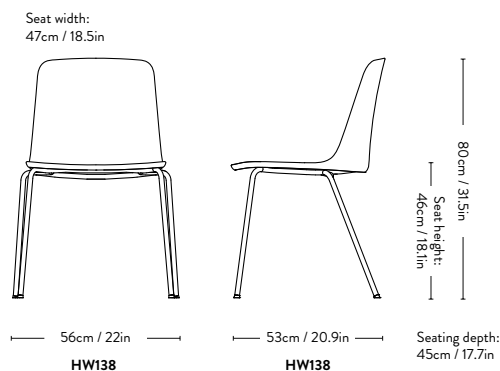


EU Ecolabel certified, validating high standards of durability, circular design, and responsible use of chemicals. Please contact our sales team for a list of EU Ecolabel compliant combinations.

Material: Shell made from 100% recycled polypropylene with fiber glass and a steel tube base.

Plastic gliders installed as standard.

Small hole in the shell for water drainage.
Black outdoor powder coating UV-resistant.



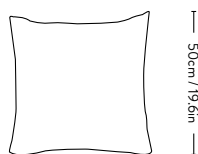
Collect | Cushion ^{SC28} Space Copenhagen 2020



Product no.	Product	Size	Textile	Variant	Colli qty.	Lead time	Weight	PRICE EX. STATE TAX
133173A231	Collect Cushion	50x50cm	Weave	Coco	1 pc	Stock item	1.24 kg	225
133173A230	Collect Cushion	50x50cm	Weave	Almond	1 pc	Stock item	1.24 kg	225
135248A443	Collect Cushion	50x50cm	Soft Boucle	Cloud	1 pc	Stock item	1.26 kg	205
135248A444	Collect Cushion	50x50cm	Soft Boucle	Moss	1 pc	Stock item	1.26 kg	205

Materials:

Weave cover	72% Cotton, 28% Wool.
Soft Boucle cover	56% Acrylic, 37% Cotton, 7% Recycled Polyester
Inner sham	100% cotton
Filling	50% feather, 50% down.



50cm / 19.6in

SC28

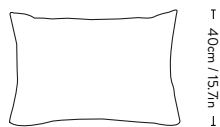
Collect | Cushion ^{SC48} Space Copenhagen 2022



Product no.	Product	Size	Textile	Variant	Colli qty.	Lead time	Weight	PRICE EX. STATE TAX
133172A231	Collect Cushion	40x60cm	Weave	Coco	1 pc	Stock item	2.00 kg	225
133172A230	Collect Cushion	40x60cm	Weave	Almond	1 pc	Stock item	2.00 kg	225
135249A443	Collect Cushion	40x60cm	Soft Boucle	Cloud	1 pc	Stock item	1.80 kg	205
135249A444	Collect Cushion	40x60cm	Soft Boucle	Moss	1 pc	Stock item	1.80 kg	205

Materials:

Weave cover	72% Cotton, 28% Wool.
Soft Boucle cover	56% Acrylic, 37% Cotton, 7% Recycled Polyester
Inner sham	100% cotton
Filling	50% feather, 50% down.

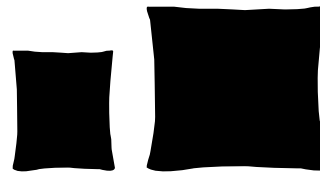


60cm / 23.6in

SC48

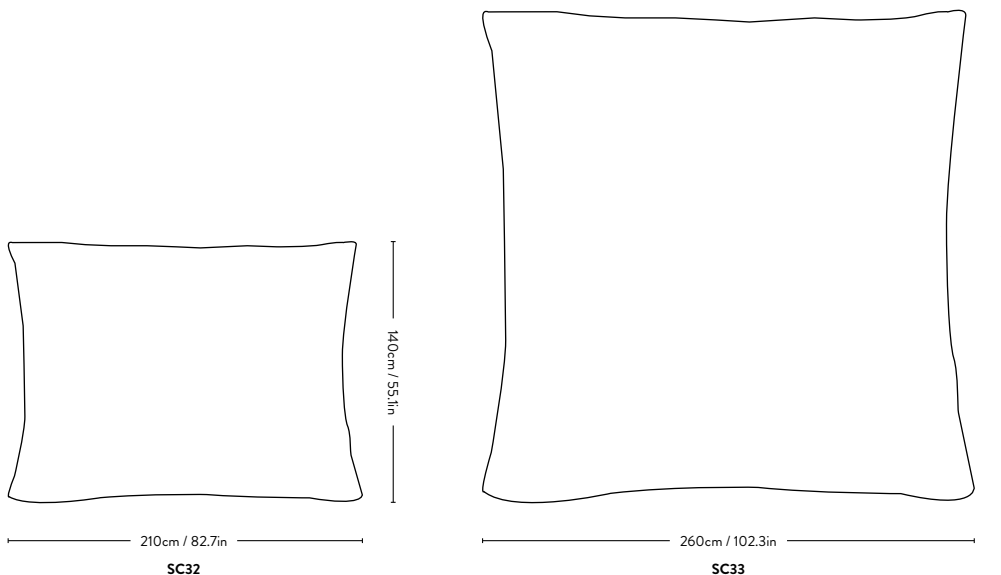
40cm / 15.7in

Collect | Cotton Throw ^{SC32 & SC33} Space Copenhagen 2020



Product no.	Product	Product code	Variant	Colli qty.	Lead time	Weight	PRICE EX. STATE TAX
133183A112	Collect Throw 140x210cm	SC32	Cloud & Milk	1 pc	Stock item	0.95 kg	180
133183A110	Collect Throw 140x210cm	SC32	Cloud & Slate	1 pc	Stock item	0.95 kg	180
133184A112	Collect Throw 260x260cm	SC33	Cloud & Milk	1 pc	Stock item	2.00 kg	340
133184A110	Collect Throw 260x260cm	SC33	Cloud & Slate	1 pc	Stock item	2.00 kg	340

Materials: 100% Organic Cotton.

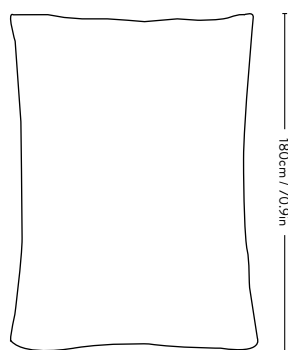


Collect | Woolen Throw ^{SC34} Space Copenhagen 2020



Product no.	Product	Variant	Colli qty.	Lead time	Weight	PRICE EX. STATE TAX
133185A112	Collect Woolen Throw 130x180cm	Cloud & Milk	1 pc	Stock item	0.68 kg	430

Materials: 100% extra fine Merino Wool.



130cm / 51.2in

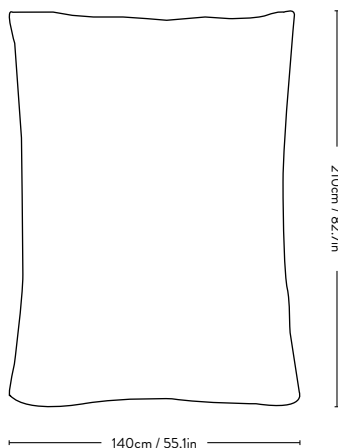
SC34

Collect | Throw ^{SC81} Space Copenhagen 2022



Product no.	Product	Variant	Colli qty.	Lead time	Weight	PRICE EX. STATE TAX
133186A096	Collect Throw 140x210cm	Moss & Cloud	1 pc	Stock item	1.10 kg	340
133186A095	Collect Throw 140x210cm	Sand & Cloud	1 pc	Stock item	1.10 kg	340

Materials: 60% Organic Cotton, 40% Linen

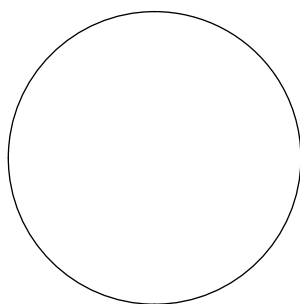


Collect | Plate^{SC55} Space Copenhagen 2020



Product no.	Product	Variant	Colli qty.	Lead time	Weight	PRICE EX. STATE TAX
133201A090	Collect Plate Ø50cm	Beige Travertine	1 pc	Stock item	8.50 kg	790

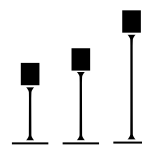
Materials: Unfilled beige travertine.



SC55

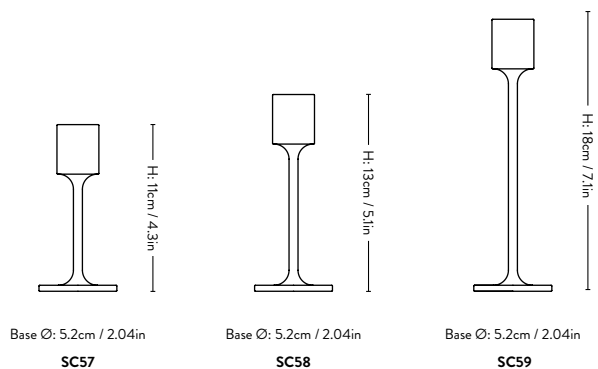
Collect | Candleholder SC57-SC59

Space Copenhagen 2021



Product no.	Product	Product code	Variant	Colli qty.	Lead time	Weight	PRICE EX. STATE TAX
133195A137	Collect Candleholder H:11cm	SC57	Brushed Brass	4 pcs	Stock item	0.20 kg	70
133196A137	Collect Candleholder H:13cm	SC58	Brushed Brass	4 pcs	Stock item	0.21 kg	80
133197A137	Collect Candleholder H:18cm	SC59	Brushed Brass	4 pcs	Stock item	0.22 kg	90

Materials: Brushed Brass.



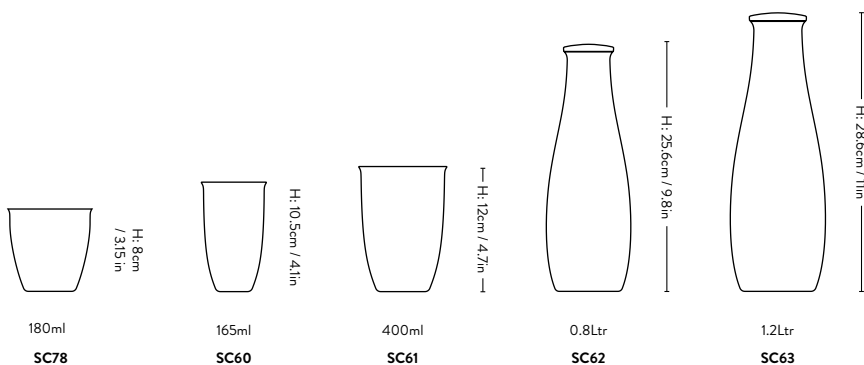
Collect | Glass & Carafe SC60-SC63 & SC78

Space Copenhagen 2021



Product no.	Product	Product code	Variant	Colli qty.	Lead time	Weight	PRICE EX. STATE TAX
133179A115	Collect Glass 2 pcs H: 8cm	SC78	Clear	4 sets	Stock item	0.18 kg	55
133175A115	Collect Glass 2 pcs H: 10.5cm	SC60	Clear	4 sets	Stock item	0.14 kg	55
133176A115	Collect Glass 2 pcs H: 12cm	SC61	Clear	4 sets	Stock item	0.20 kg	65
133177A115	Collect Carafe H: 25cm	SC62	Clear	2 pcs	Stock item	0.24 kg	80
133178A115	Collect Carafe H: 28cm	SC63	Clear	2 pcs	Stock item	0.34 kg	90

Materials: Mouth blown glass.



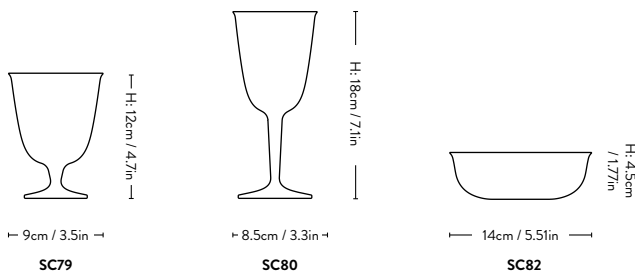
Collect | Wine glass & Bowl SC79, SC80 & SC82

Space Copenhagen 2022



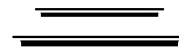
Product no.	Product	Product code	Variant	Colli qty.	Lead time	Weight	PRICE EX. STATE TAX
133181A115	Collect Wine glass 2 pcs H: 12cm	SC79	Clear	4 sets	Stock item	0.22 kg	90
133180A115	Collect Wine glass 2 pcs H: 18cm	SC80	Clear	4 sets	Stock item	0.23 kg	100
133182A115	Collect Bowl 1 pc H:4.5cm, Ø: 14cm	SC82	Clear	8 pcs	Stock item	0.20 kg	55

Materials: Mouth blown glass.



Collect | Tray SC64 & SC65

Space Copenhagen 2021

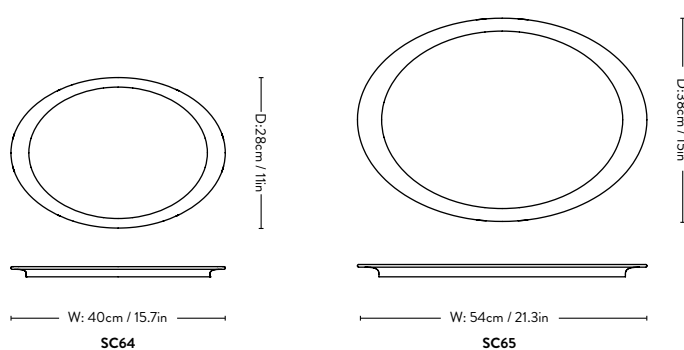


Product no.	Product	Product code	Variant	Colli qty.	Lead time	Weight	PRICE EX. STATE TAX
133202A250	Collect Tray W: 40cm x D: 28cm x H:2cm	SC64	Oak	1 pc	Stock item	0.35 kg	180
133202A252	Collect Tray W: 40cm x D: 28cm x H:2cm	SC64	Black Oak	1 pc	Stock item	0.35 kg	180
133203A250	Collect Tray W: 54cm x D: 38cm x H: 2.3cm	SC65	Oak	1 pc	Stock item	0.67 kg	295
133203A252	Collect Tray W: 54cm x D: 38cm x H: 2.3cm	SC65	Black Oak	1 pc	Stock item	0.67 kg	295

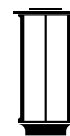


Made using FSC® certified wood, supporting responsible environmental, social and economical management of the world's forests. Visit www.fsc.org

Materials: Water Based Lacquered oak.



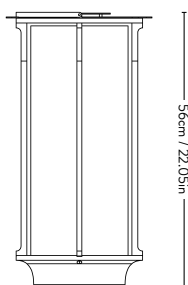
Collect | Hurricane ^{SC83} Space Copenhagen 2023



Product no.	Product	Variant	Colli qty.	Lead time	Weight	PRICE EX. STATE TAX
133242A260	Collect Hurricane	Matt Black	1 pc	Stock item	7.62kg	675

Material: Die-cast aluminium, galvanized iron and borosilicate glass

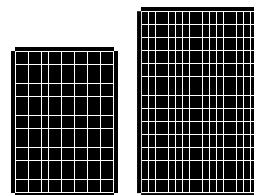
Spare parts available. Please refer to the 'Spare Parts' section.



W: 26cm / 10.24in
D: 30cm / 11.81in

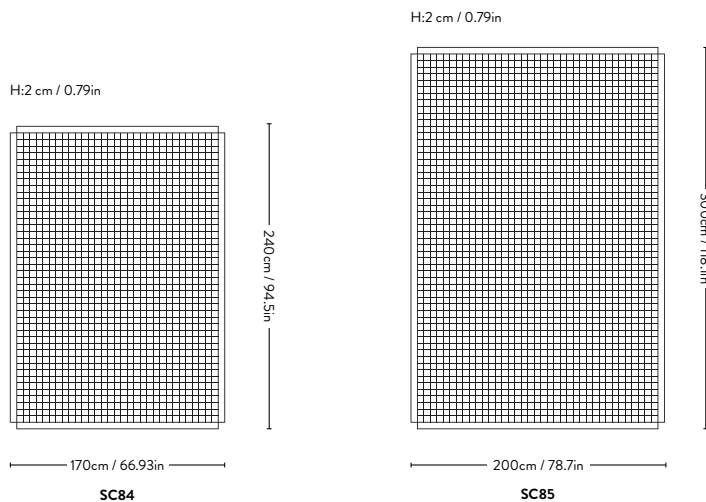
SC83

Collect | Rug SC84 & SC85 Space Copenhagen 2023



Product no.	Variant	Size	Product code	Colli qty.	Lead time	Weight	PRICE EX. STATE TAX
133278A370	Stone	170x240cm	SC84	1 pc	Stock item	9.38 kg	1.350
133278A105	Milk	170x240cm	SC84	1 pc	Stock item	9.38 kg	1.350
133278A272	Camel	170x240cm	SC84	1 pc	Stock item	9.38 kg	1.350
133279A370	Stone	200x300cm	SC85	1 pc	Stock item	13.8 kg	2.025
133279A105	Milk	200x300cm	SC85	1 pc	Stock item	13.8 kg	2.025
133279A272	Camel	200x300cm	SC85	1 pc	Stock item	13.8 kg	2.025
135310	Rug underlay	160x230cm		1 pc	Stock item	2.20 kg	115
135311	Rug underlay	190x290cm		1 pc	Stock item	3.34 kg	135

Materials: Wool, Recycled Polyester



Momento Jug ^{JH38}

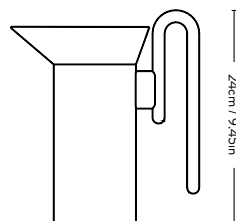
Jaime Hayon

2023



Product no.	Product	Variant	Colli qty.	Lead time	Weight	PRICE EX. STATE TAX
133241A301	Jug	Ivory	4 pcs	Stock item	0.24 kg	270
133241A167	Jug	Polished Steel	4 pcs	Stock item	0.24 kg	270
133241A551	Jug NEW	Pistachio	4 pcs	Stock item	0.24 kg	270

Materials: Stainless steel.



D: 21.5cm / 8.46in
W: 11.6cm / 4.57in

JH38

Momento Candleholder ^{JH39}

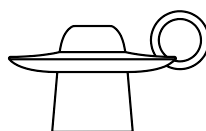
Jaime Hayon

2023



Product no.	Product	Variant	Colli qty.	Lead time	Weight	PRICE EX. STATE TAX
133243A256	Candleholder	Azure	4 pcs	Stock item	0.24kg	115
133243A302	Candleholder	Ivory	4 pcs	Stock item	0.24kg	115
133243A355	Candleholder	Red-Brown	4 pcs	Stock item	0.24kg	115
133243A351	Candleholder	Poppy Red	4 pcs	Stock item	0.24kg	115

Materials: Ceramic



D: 11.8cm / 4.65in
W: 14.2cm / 5.59in

JH39

Momento Vase JH40, JH41 & JH47

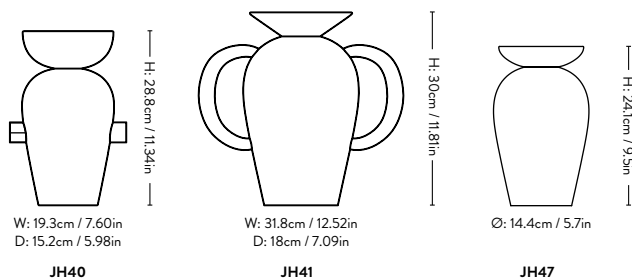
Jaime Hayon

2023



Product no.	Product	Product code	Variant	Colli qty.	Lead time	Weight	PRICE EX. STATE TAX
133244A283	Vase	JH40	Cream	2 pcs	Stock item	1.00 kg	205
133245A289	Vase	JH41	Emerald	2 pcs	Stock item	1.20 kg	315
146461A355	Vase NEW	JH47	Red brown	2pc	Stock item	1.07 kg	160

Materials: Ceramic



Momento Throw ^{JH46}

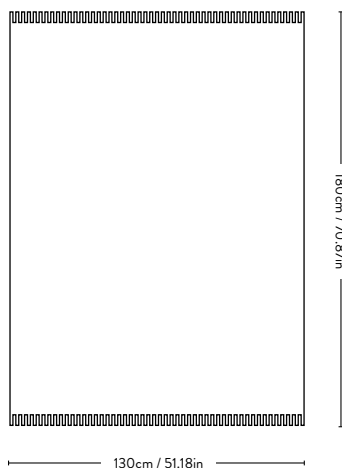
Jaime Hayon

2024



Product no.	Product	Variant	Colli qty.	Lead time	Weight	PRICE EX. STATE TAX
137829A495	Throw	Midnight Blue	1 pc	Stock item	0.95 kg	405
137829A496	Throw	Red Dawn	1 pc	Stock item	0.95 kg	405

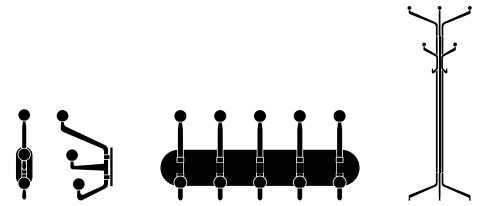
Materials: 100% Organic cotton



JH46

Capture SC74, SC76 & SC77

Space Copenhagen 2022

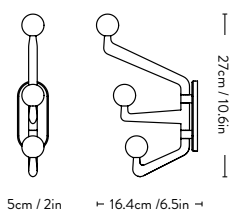


Product no.	Product	Product code	Variant	Colli qty.	Lead time	Weight	PRICE EX. STATE TAX
133217A040	Small Hook	SC74	Graphite / Colour knob	1 pc	Stock item	0.60 kg	180
133217A041	Small Hook	SC74	Graphite / Oak knob	1 pc	Stock item	0.60 kg	180
133219A040	Hanger	SC76	Graphite / Colour knob	1 pc	Stock item	2.00 kg	450
133219A041	Hanger	SC76	Graphite / Oak knob	1 pc	Stock item	2.00 kg	450
133220A040	Coat stand	SC77	Graphite / Colour knob	1 pc	Stock item	6.00 kg	1.125
133220A041	Coat stand	SC77	Graphite / Oak knob	1 pc	Stock item	6.00 kg	1.125

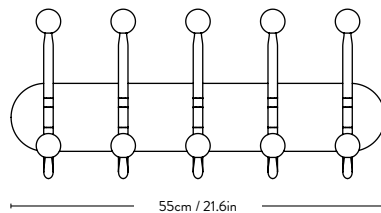


Graphite / Oak knob made using FSC® certified wood, supporting responsible environmental, social and economical management of the world's forests. Visit www.fsc.org

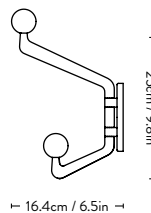
Materials: Powder coated aluminium and water based lacquered oak.



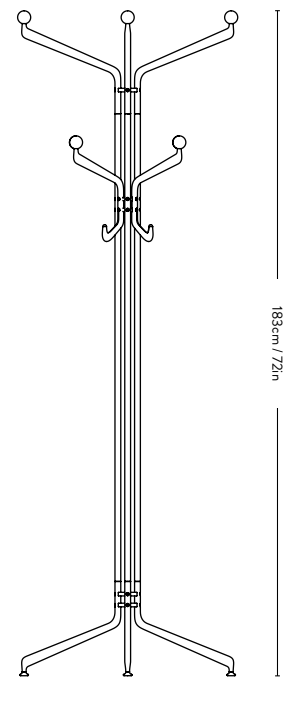
5cm / 2in
16.4cm / 6.5in
27cm / 10.6in
SC74



55cm / 21.6in
SC76



16.4cm / 6.5in
25cm / 9.8in



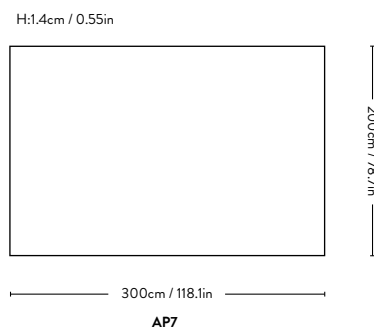
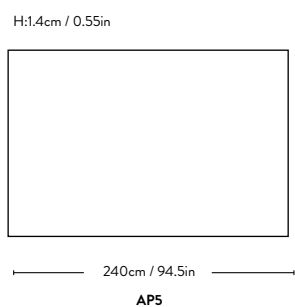
60cm / 23.6in
183cm / 72in
SC77

The Moor ^{AP5 & AP7} All the Way to Paris 2016



Product no.	Variant	Size	Product code	Colli qty.	Lead time	Weight	PRICE EX. STATE TAX
133221A033	Red Heather	170x240cm	AP5	1 pc	Stock item	25.00 kg	2.015
133221A036	Golden Brown	170x240cm	AP5	1 pc	Stock item	25.00 kg	2.015
133221A039	Beige Dew	170x240cm	AP5	1 pc	Stock item	25.00 kg	2.015
133221A035	Green Pine	170x240cm	AP5	1 pc	Stock item	25.00 kg	2.015
133221A034	Grey Blue Thunder	170x240cm	AP5	1 pc	Stock item	25.00 kg	2.015
133223A033	Red Heather	200x300cm	AP7	1 pc	Stock item	30.00 kg	3.040
133223A036	Golden Brown	200x300cm	AP7	1 pc	Stock item	30.00 kg	3.040
133223A039	Beige Dew	200x300cm	AP7	1 pc	Stock item	30.00 kg	3.040
133223A035	Green Pine	200x300cm	AP7	1 pc	Stock item	30.00 kg	3.040
133223A034	Grey Blue Thunder	200x300cm	AP7	1 pc	Stock item	30.00 kg	3.040
135310	Rug underlay	160x230cm		1 pc	Stock item	2.20 kg	115
135311	Rug underlay	190x290cm		1 pc	Stock item	3.34 kg	135

Material: Handloom-woven from 85% New Zealand wool & 15% viscose.

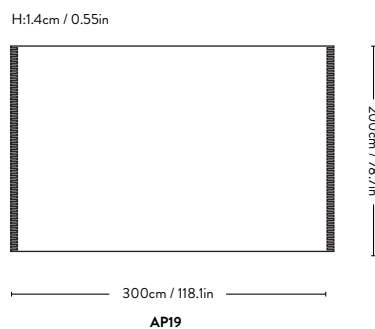
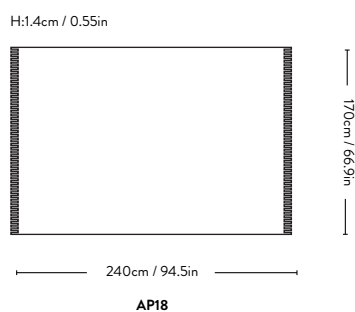


The Moor ^{AP18 & AP19} All the Way to Paris 2024



Product no.	Variant	Size	Product code	Colli qty.	Lead time	Weight	PRICE EX. STATE TAX
137830A033	Red Heather	170x240cm	AP18	1 pc	Stock item	14.00 kg	2.015
137830A039	Beige Dew	170x240cm	AP18	1 pc	Stock item	14.00 kg	2.015
137830A036	Golden Brown	170x240cm	AP18	1 pc	Stock item	14.00 kg	2.015
137830A035	Green Pine	170x240cm	AP18	1 pc	Stock item	14.00 kg	2.015
137830A034	Grey Blue Thunder	170x240cm	AP18	1 pc	Stock item	14.00 kg	2.015
137831A033	Red Heather	200x300cm	AP19	1 pc	Stock item	21.00 kg	3.040
137831A039	Beige Dew	200x300cm	AP19	1 pc	Stock item	21.00 kg	3.040
137831A036	Golden Brown	200x300cm	AP19	1 pc	Stock item	21.00 kg	3.040
137831A035	Green Pine	200x300cm	AP19	1 pc	Stock item	21.00 kg	3.040
137831A034	Grey Blue Thunder	200x300cm	AP19	1 pc </td <td>Stock item</td> <td>21.00 kg</td> <td>3.040</td>	Stock item	21.00 kg	3.040
135310	Rug underlay	160x230cm		1 pc	Stock item	2.20 kg	115
135311	Rug underlay	190x290cm		1 pc	Stock item	3.34 kg	135

Material: 85% New Zealand Wool, 15% Viscose & 100% Cotton fringe

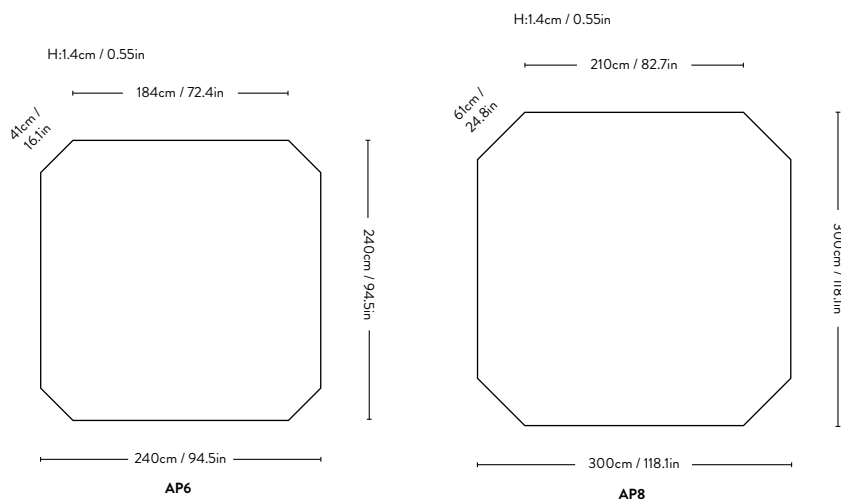


The Moor ^{AP6 & AP8} All the Way to Paris 2016



Product no.	Variant	Size	Product code	Colli qty.	Lead time	Weight	PRICE EX. STATE TAX
133222A033	Red Heather	240x240cm	AP6	1 pc	Stock item	30.00 kg	2.590
133222A036	Golden Brown	240x240cm	AP6	1 pc	Stock item	30.00 kg	2.590
133222A039	Beige Dew	240x240cm	AP6	1 pc	Stock item	30.00 kg	2.590
133222A035	Green Pine	240x240cm	AP6	1 pc	Stock item	30.00 kg	2.590
133222A034	Grey Blue Thunder	240x240cm	AP6	1 pc	Stock item	30.00 kg	2.590
133224A033	Red Heather	300x300cm	AP8	1 pc	Stock item	35.00 kg	4.050
133224A036	Golden Brown	300x300cm	AP8	1 pc	Stock item	35.00 kg	4.050
133224A039	Beige Dew	300x300cm	AP8	1 pc	Stock item	35.00 kg	4.050
133224A035	Green Pine	300x300cm	AP8	1 pc	Stock item	35.00 kg	4.050
133224A034	Grey Blue Thunder	300x300cm	AP8	1 pc	Stock item	35.00 kg	4.050
135310	Rug underlay	160x230cm		1 pc	Stock item	2.20 kg	115
135311	Rug underlay	190x290cm		1 pc	Stock item	3.34 kg	135

Material: Handloom-woven from 85% New Zealand wool & 15% viscose.



The Moor custom made version

All the Way to Paris

2016

Product	Product code	Colli qty.	Lead time	PRICE EX. STATE TAX
CUS Square	Square	1 pc	22-24 weeks	844

Material: Handloom-woven from 85% New Zealand wool & 15% viscose.

Minimum width: 1.4 meters
Maximum width: 3 meters

Minimum length: 2 meters
Maximum length: 10 meters

Minimum size 3 m2
Maximum size 30 m2

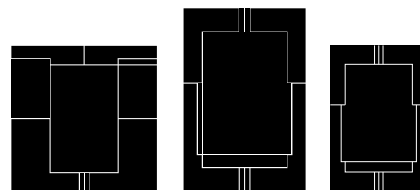
Minimum 20 m2 is required to order non-standard colors

Please note a size and weight tolerance of +/- 3%

*The price is per square meter.

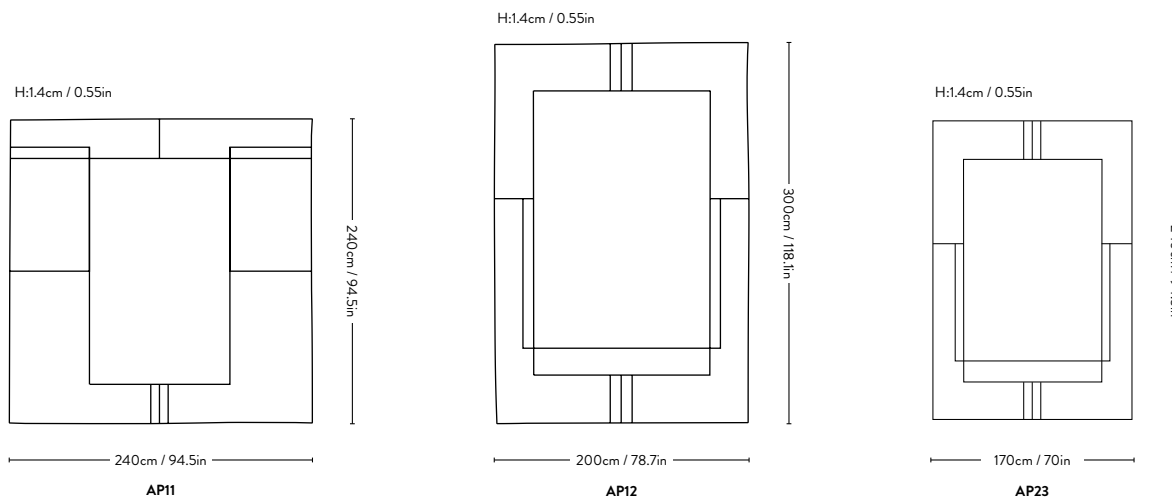
Cruise AP11, AP12 & AP23

All the Way to Paris 2022



Product no.	Variant	Size	Product code	Colli qty.	Lead time	Weight	PRICE EX. STATE TAX
133225A032	Bombay Golden Brown	240x240cm	AP11	1 pc	Stock item	23.10 kg	3.040
133225A031	Aden Desert Beige	240x240cm	AP11	1 pc	Stock item	23.10 kg	3.040
133225A521	Colombo Grey Blue	240x240cm	AP11	1 pc	Stock item	23.10 kg	3.040
133226A032	Bombay Golden Brown	200x300cm	AP12	1 pc	Stock item	23.40 kg	3.490
133226A031	Aden Desert Beige	200x300cm	AP12	1 pc	Stock item	23.40 kg	3.490
133226A521	Colombo Grey Blue	200x300cm	AP12	1 pc	Stock item	23.40 kg	3.490
139751A031	Aden Desert Beige	240x170 cm	AP23	1 pc	Stock item	17.00 kg	2.365
139751A032	Bombay Golden Brown	240x170 cm	AP23	1 pc	Stock item	17.00 kg	2.365
139751A521	Colombo Grey Blue	240x170 cm	AP23	1 pc	Stock item	17.00 kg	2.365
135310	Rug underlay	160x230cm		1 pc	Stock item	2.20 kg	115
135311	Rug underlay	190x290cm		1 pc	Stock item	3.34 kg	135

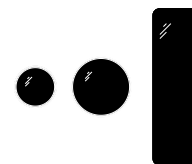
Materials: New Zealand Wool 77%, Viscose 13%, Bamboo Silk 10%



Sillon SH4, SH5 & SH7

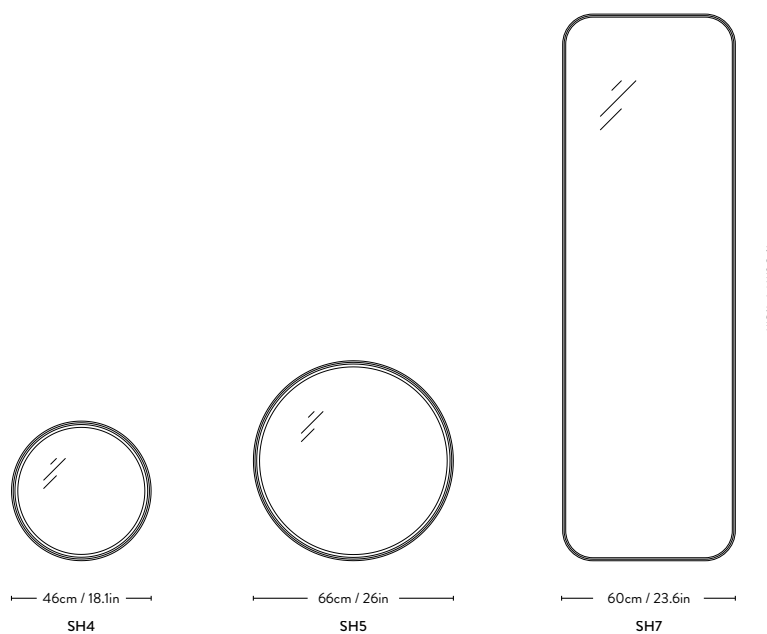
Sebastian Herkner

2019

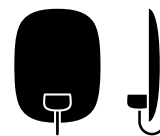


Product no.	Variant	Size	Product code	Colli qty.	Lead time	Weight	PRICE EX. STATE TAX
133234A140	Brass	Ø46cm	SH4	1 pc	Stock item	4.50 kg	565
133234A167	Stainless Steel	Ø46cm	SH4	1 pc	Stock item	4.50 kg	495
133235A140	Brass	Ø66cm	SH5	1 pc	Stock item	8.00 kg	945
133235A167	Stainless Steel	Ø66cm	SH5	1 pc	Stock item	8.00 kg	855
133237A140	Brass	190x60cm	SH7	1 pc	Stock item	28.50 kg	2.700
133237A167	Stainless Steel	190x60cm	SH7	1 pc	Stock item	28.50 kg	2.520

Material: Plated steel & silver coloured mirror

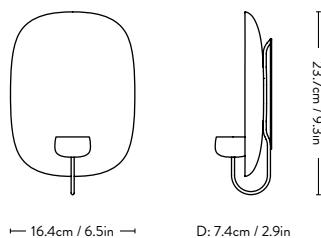


Votive ^{AV20} Anderssen & Voll 2022



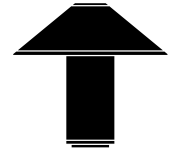
Product no.	Product	Variant	Colli qty.	Lead time	Weight	PRICE EX. STATE TAX
133240A021	Votive	Brushed Brass	1 pc	Stock item	0.63 kg	270

Materials: Brass



NEW

Colette ^{ATD6} &Tradition 2022



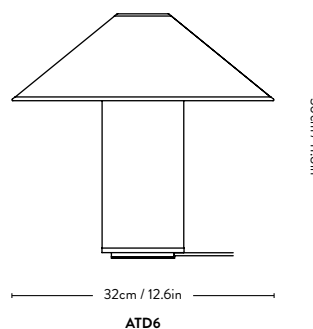
Product no.	Product	Variant	Cord	Colli qty.	Lead time	Weight	PRICE EX. STATE TAX
154799A157	Table lamp	White & Black	2.5m Black textile w. dimmer	1 pc	Stock item	1.60 kg	565
154799A156	Table lamp	White & Merlot	2.5m Black textile w. dimmer	1 pc	Stock item	1.60 kg	565

Technical Specification

E12 Max 40 Watt

Material: Plastic-lined polyester, aluminium, steel

Bulb is not included.



Flowerpot^{VP10} Verner Panton 1968



Product no.	Product	Variant	Cord	Colli qty.	Lead time	Weight	PRICE EX. STATE TAX
146378A221	Pendant	Matt White	3m White textile	2 pcs	Stock item	0.60 kg	340
146378A219	Pendant	Matt Light Grey	3m Grey textile	2 pcs	Stock item	0.60 kg	340
146378A218	Pendant	Matt Black	3m Black textile	2 pcs	Stock item	0.60 kg	340
146378A215	Pendant	Mustard	3m Mustard textile	2 pcs	Stock item	0.60 kg	340
146378A208	Pendant	Stone Blue	3m Stone Blue textile	2 pcs	Stock item	0.60 kg	340
146378A209	Pendant	Grey Beige	3m Grey Beige textile	2 pcs	Stock item	0.60 kg	340
146378A205	Pendant	Signal Green	3m Signal Green textile	2 pcs	Stock item	0.60 kg	340
146378A178	Pendant	Cobalt Blue	3m Cobalt Blue textile	2 pcs	Stock item	0.60 kg	340
146378A182	Pendant	Vermilion Red	3m Vermilion Red textile	2 pcs	Stock item	0.60 kg	340
146378A181	Pendant	Tangy Pink	3m Tangy Pink textile	2 pcs	Stock item	0.60 kg	340
146378A180	Pendant	Dark Plum	3m Dark Plum textile	2 pcs	Stock item	0.60 kg	340
146378A179	Pendant	Swim Blue	3m Swim Blue textile	2 pcs	Stock item	0.60 kg	340
146378A568	Pendant	Steel Blue NEW	3m Steel Blue textile	2 pcs	Stock item	0.60 kg	340
146378A569	Pendant	Ivory NEW	3m Ivory textile	2 pcs	Stock item	0.60 kg	340
146378A570	Pendant	Zesty Orange NEW	3m Zesty Orange textile	2 pcs	Stock item	0.60 kg	340
146378A274	Pendant	Chrome-plated	3m Black textile	2 pcs	Stock item	0.60 kg	475
146378A268	Pendant	Brass-plated	3m Black textile	2 pcs	Stock item	0.60 kg	475
146378A171	Pendant	Cobalt Blue & Twilight Blue Pattern	3m Cobalt Blue textile	2 pcs	Stock item	0.60 kg	475
146378A170	Pendant	Black & White Pattern	3m Black textile	2 pcs	Stock item	0.60 kg	475

Technical Specification

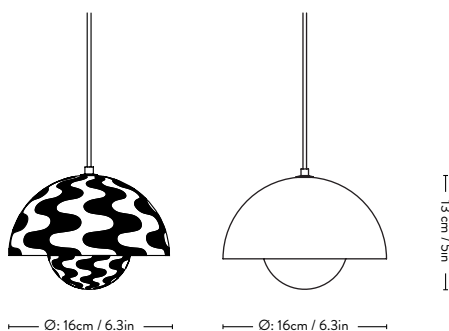
G9 Max 5 Watt LED

Material: Painted or plated steel.

Black textile cord: Black canopy
White and other colored textile cords: White canopy

Bulb is not included.
Canopy included.

Spare parts available. Please refer to the 'Spare Parts' section.



Flowerpot^{VP1} Verner Panton 1968



Product no.	Product	Variant	Cord	Colli qty.	Lead time	Weight	PRICE EX. STATE TAX
146371A221	Pendant	Matt White	3m White textile	2 pcs	Stock item	1.00 kg	405
146371A219	Pendant	Matt Light Grey	3m Grey textile	2 pcs	Stock item	1.00 kg	405
146371A218	Pendant	Matt Black	3m Black textile	2 pcs	Stock item	1.00 kg	405
146371A215	Pendant	Mustard	3m Mustard textile	2 pcs	Stock item	1.00 kg	405
146371A208	Pendant	Stone Blue	3m Stone Blue textile	2 pcs	Stock item	1.00 kg	405
146371A209	Pendant	Grey Beige	3m Grey Beige textile	2 pcs	Stock item	1.00 kg	405
146371A205	Pendant	Signal Green	3m Signal Green textile	2 pcs	Stock item	1.00 kg	405
146371A178	Pendant	Cobalt Blue	3m Cobalt Blue textile	2 pcs	Stock item	1.00 kg	405
146371A182	Pendant	Vermilion Red	3m Vermilion Red textile	2 pcs	Stock item	1.00 kg	405
146371A181	Pendant	Tangy Pink	3m Tangy Pink textile	2 pcs	Stock item	1.00 kg	405
146371A180	Pendant	Dark Plum	3m Dark Plum textile	2 pcs	Stock item	1.00 kg	405
146371A179	Pendant	Swim Blue	3m Swim Blue textile	2 pcs	Stock item	1.00 kg	405
146371A568	Pendant	Steel Blue NEW	3m Steel Blue textile	2 pcs	Stock item	1.00 kg	405
146371A569	Pendant	Ivory NEW	3m Ivory textile	2 pcs	Stock item	1.00 kg	405
146371A570	Pendant	Zesty Orange NEW	3m Zesty Orange textile	2 pcs	Stock item	1.00 kg	405
146371A274	Pendant	Chrome-plated	3m Black textile	2 pcs	Stock item	1.00 kg	565
146371A268	Pendant	Brass-plated	3m Black textile	2 pcs	Stock item	1.00 kg	565
146371A171	Pendant	Cobalt Blue & Twilight Blue Pattern	3m Cobalt Blue textile	2 pcs	Stock item	1.00 kg	565
146371A170	Pendant	Black & White Pattern	3m Black textile	2 pcs	Stock item	1.00 kg	565

Technical Specification

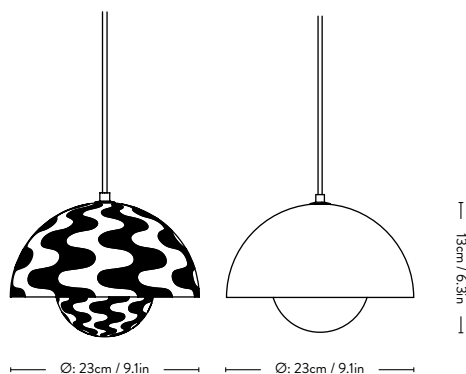
E26 Max 40 Watt

Material: Painted or plated steel.

Black textile cord: Black canopy
White and other colored textile cords: White canopy

Bulb is not included.
Canopy included.

Spare parts available. Please refer to the 'Spare Parts' section.



VP1

Flowerpot^{VP7} Verner Panton 1968



Product no.	Product	Variant	Cord	Colli qty.	Lead time	Weight	PRICE EX. STATE TAX
146376A221	Pendant	Matt White	3m White textile	1 pc	Stock item	2.40 kg	655
146376A219	Pendant	Matt Light Grey	3m Grey textile	1 pc	Stock item	2.40 kg	655
146376A218	Pendant	Matt Black	3m Black textile	1 pc	Stock item	2.40 kg	655
146376A215	Pendant	Mustard	3m Mustard textile	1 pc	Stock item	2.40 kg	655
146376A208	Pendant	Stone Blue	3m Stone Blue textile	1 pc	Stock item	2.40 kg	655
146376A209	Pendant	Grey Beige	3m Grey Beige textile	1 pc	Stock item	2.40 kg	655
146376A205	Pendant	Signal Green	3m Signal Green textile	1 pc	Stock item	2.40 kg	655
146376A178	Pendant	Cobalt Blue	3m Cobalt Blue textile	1 pc	Stock item	2.40 kg	655
146376A182	Pendant	Vermilion Red	3m Vermilion Red textile	1 pc	Stock item	2.40 kg	655
146376A181	Pendant	Tangy Pink	3m Tangy Pink textile	1 pc	Stock item	2.40 kg	655
146376A180	Pendant	Dark Plum	3m Dark Plum textile	1 pc	Stock item	2.40 kg	655
146376A179	Pendant	Swim Blue	3m Swim Blue textile	1 pc	Stock item	2.40 kg	655
146376A568	Pendant	Steel Blue NEW	3m Steel Blue textile	1 pc	Stock item	2.40 kg	655
146376A569	Pendant	Ivory NEW	3m Ivory textile	1 pc	Stock item	2.40 kg	655
146376A570	Pendant	Zesty Orange NEW	3m Zesty Orange textile	1 pc	Stock item	2.40 kg	655
146376A171	Pendant	Cobalt Blue & Twilight Blue Pattern	3m Cobalt Blue textile	1 pc	Stock item	2.40 kg	1.015
146376A170	Pendant	Black & White Pattern	3m Black textile	1 pc	Stock item	2.40 kg	1.015

Technical Specification

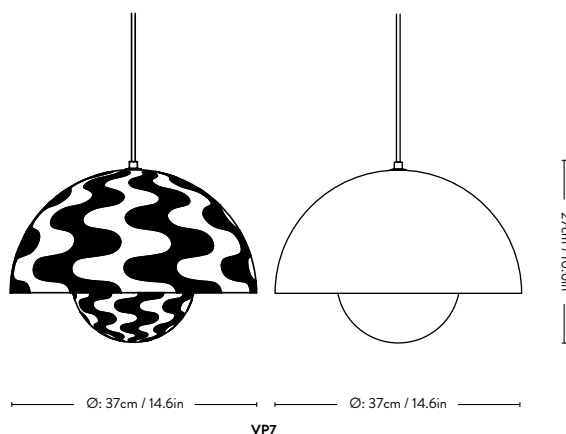
E26 Max 40 Watt

Material: Painted or plated steel.

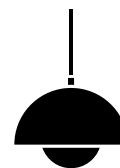
Black textile cord: Black canopy
White and other colored textile cords: White canopy

Bulb is not included.
Canopy included.

Spare parts available. Please refer to the 'Spare Parts' section.



Flowerpot^{VP2} Verner Panton 1968



Product no.	Product	Variant	Cord	Colli qty.	Lead time	Weight	PRICE EX. STATE TAX
146372A221	Pendant	Matt White	3m White textile	1 pc	Stock item	3.40 kg	945
146372A218	Pendant	Matt Black	3m Black textile	1 pc	Stock item	3.40 kg	945
146372A209	Pendant	Grey Beige	3m Grey Beige textile	1 pc	Stock item	3.40 kg	945
146372A208	Pendant	Stone Blue	3m Stone Blue textile	1 pc	Stock item	3.40 kg	945
146372A182	Pendant	Vermilion Red	3m Vermilion Red textile	1 pc	Stock item	3.40 kg	945
146372A568	Pendant	Steel Blue NEW	3m Steel Blue textile	1 pc	Stock item	3.40 kg	945
146372A569	Pendant	Ivory NEW	3m Ivory textile	1 pc	Stock item	3.40 kg	945
146372A570	Pendant	Zesty Orange NEW	3m Zesty Orange textile	1 pc	Stock item	3.40 kg	945
146372A171	Pendant	Cobalt Blue & Twilight Blue Pattern	3m Cobalt Blue textile	1 pc	Stock item	3.40 kg	1.260
146372A170	Pendant	Black & White Pattern	3m Black textile	1 pc	Stock item	3.40 kg	1.260

Technical Specification

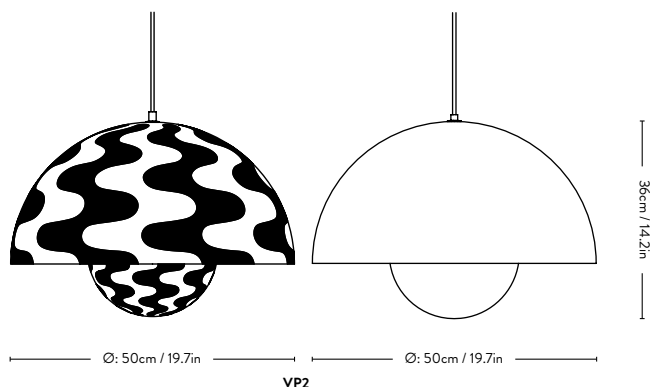
E26 Max 40 Watt

Material: Painted aluminium.

Black textile cord: Black canopy
White and other colored textile cords: White canopy

Bulb is not included.
Canopy included.

Spare parts available. Please refer to the 'Spare Parts' section.



Flowerpot ^{VP3} Verner Panton 1968



Product no.	Product	Variant	Cord	Colli qty.	Lead time	Weight	PRICE EX. STATE TAX
146373A221	Table lamp	Matt White	2m Clear PVC w. switch	1 pc	Stock item	3.50 kg	520
146373A219	Table lamp	Matt Light Grey	2m Clear PVC w. switch	1 pc	Stock item	3.50 kg	520
146373A218	Table lamp	Matt Black	2m Clear PVC w. switch	1 pc	Stock item	3.50 kg	520
146373A215	Table lamp	Mustard	2m Clear PVC w. switch	1 pc	Stock item	3.50 kg	520
146373A208	Table lamp	Stone Blue	2m Clear PVC w. switch	1 pc	Stock item	3.50 kg	520
146373A209	Table lamp	Grey Beige	2m Clear PVC w. switch	1 pc	Stock item	3.50 kg	520
146373A205	Table lamp	Signal Green	2m Clear PVC w. switch	1 pc	Stock item	3.50 kg	520
146373A178	Table lamp	Cobalt Blue	2m Clear PVC w. switch	1 pc	Stock item	3.50 kg	520
146373A182	Table lamp	Vermilion Red	2m Clear PVC w. switch	1 pc	Stock item	3.50 kg	520
146373A181	Table lamp	Tangy Pink	2m Clear PVC w. switch	1 pc	Stock item	3.50 kg	520
146373A180	Table lamp	Dark Plum	2m Clear PVC w. switch	1 pc	Stock item	3.50 kg	520
146373A179	Table lamp	Swim Blue	2m Clear PVC w. switch	1 pc	Stock item	3.50 kg	520
146373A568	Table lamp	Steel Blue NEW	2m Clear PVC w. switch	1 pc	Stock item	3.50 kg	520
146373A569	Table lamp	Ivory NEW	2m Clear PVC w. switch	1 pc	Stock item	3.50 kg	520
146373A570	Table lamp	Zesty Orange NEW	2m Clear PVC w. switch	1 pc	Stock item	3.50 kg	520
146373A274	Table lamp	Chrome-plated	2m Clear PVC w. switch	1 pc	Stock item	3.50 kg	790
146373A268	Table lamp	Brass-plated	2m Clear PVC w. switch	1 pc	Stock item	3.50 kg	790

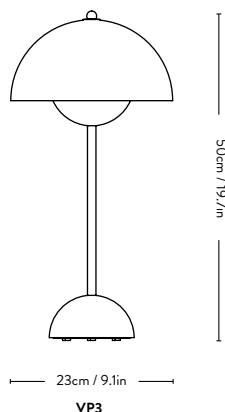
Technical Specification

E26 Max 40 Watt

Material: Painted or plated steel.

Bulb is not included.

Spare parts available. Please refer to the 'Spare Parts' section.



Flowerpot^{VP4} Verner Panton 1968



Product no.	Product	Variant	Cord	Colli qty.	Lead time	Weight	PRICE EX. STATE TAX
146374A221	Table lamp	Matt White	2m White textile w. switch	1 pc	Stock item	1.30 kg	520
146374A218	Table lamp	Matt Black	2m Black textile w. switch	1 pc	Stock item	1.30 kg	520
146374A568	Table lamp	Steel Blue NEW	2m Black textile w. switch	1 pc	Stock item	1.30 kg	520
146374A203	Table lamp	Chrome-plated	2m Black textile w. switch	1 pc	Stock item	1.30 kg	790

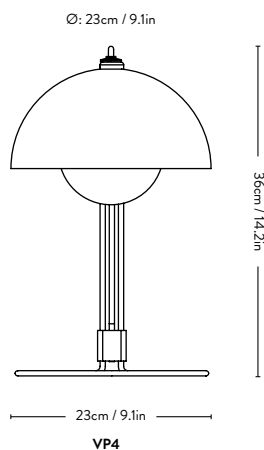
Technical Specification

E26 Max 40 Watt

Material: Painted or plated steel.

Bulb is not included.

Spare parts available. Please refer to the 'Spare Parts' section.



Flowerpot^{VP8} Verner Panton 1968



Product no.	Product	Variant	Cord	Colli qty.	Lead time	Weight	PRICE EX. STATE TAX
146377A221	Wall lamp	Matt White	2m White textile	1 pc	Stock item	1.30 kg	565
146377A218	Wall lamp	Matt Black	2m Black textile	1 pc	Stock item	1.30 kg	565
146377A219	Wall lamp	Matt Light Grey	2m Grey textile	1 pc	Stock item	1.30 kg	565
146377A215	Wall lamp	Mustard	2m Mustard textile	1 pc	Stock item	1.30 kg	565
146377A209	Wall lamp	Grey Beige	2m Grey Beige textile	1 pc	Stock item	1.30 kg	565
146377A182	Wall lamp	Vermilion Red	2m Vermilion Red textile	1 pc	Stock item	1.30 kg	565
146377A205	Wall lamp	Signal Green	2m Signal Green textile	1 pc	Stock item	1.30 kg	565
146377A568	Wall lamp	Steel Blue NEW	2m Steel Blue textile	1 pc	Stock item	1.30 kg	565
146377A203	Wall lamp	Chrome-plated	2m Black Textile	1 pc	Stock item	1.30 kg	835

Technical Specification

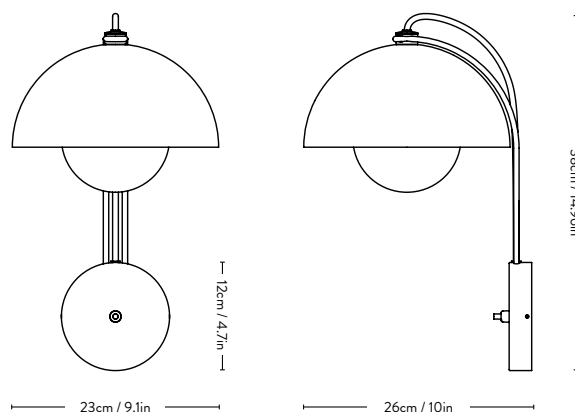
E26 Max 40 Watt

Material: Painted or plated steel

Flowerpot VP8 is available as a plug-in (using the existing power cord) or hardwired (installed directly to the power outlet).

Bulb is not included.

Spare parts available. Please refer to the 'Spare Parts' section.



VP8

Flowerpot^{VP9} Verner Panton 1968



Product no.	Product	Variant	Colli qty.	Lead time	Weight	PRICE EX. STATE TAX	
133093A221	Portable lamp	Matt White	2 pcs	Stock item	0.83 kg	315	
133093A219	Portable lamp	Matt Light Grey	2 pcs	Stock item	0.83 kg	315	
133093A218	Portable lamp	Matt Black	2 pcs	Stock item	0.83 kg	315	
133093A215	Portable lamp	Mustard	2 pcs	Stock item	0.83 kg	315	
133093A209	Portable lamp	Grey Beige	2 pcs	Stock item	0.83 kg	315	
133093A208	Portable lamp	Stone Blue	2 pcs	Stock item	0.83 kg	315	
133093A205	Portable lamp	Signal Green	2 pcs	Stock item	0.83 kg	315	
133093A178	Portable lamp	Cobalt Blue	2 pcs	Stock item	0.83 kg	315	
133093A182	Portable lamp	Vermilion Red	2 pcs	Stock item	0.83 kg	315	
133093A181	Portable lamp	Tangy Pink	2 pcs	Stock item	0.83 kg	315	
133093A180	Portable lamp	Dark Plum	2 pcs	Stock item	0.83 kg	315	
133093A179	Portable lamp	Swim Blue	2 pcs	Stock item	0.83 kg	315	
133093A568	Portable lamp	Steel Blue	NEW	2 pcs	Stock item	0.83 kg	315
133093A569	Portable lamp	Ivory	NEW	2 pcs	Stock item	0.83 kg	315
133093A570	Portable lamp	Zesty Orange	NEW	2 pcs	Stock item	0.83 kg	315
133093A268	Portable lamp	Brass-Plated		2 pcs	Stock item	0.83 kg	450
133093A203	Portable lamp	Chrome-Plated		2 pcs	Stock item	0.83 kg	450

Material: Lacquered polycarbonate (PC) and steel

LED board included - replaceable (spare part).

Magnetic USB A 200 cm / 79 inch charging cable included.

Spare parts available. Please refer to the 'Spare Parts' section.

Technical Specification

3 Watt LED board

CRI: >80

Colour temperature (Kelvin): 2700K

Charging time: 8 hours

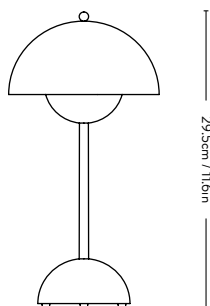
Operating time in highest light setting: 10 hours

Dimmability: 3 level touch dimmer 100% - 50% - 20%

Battery: Replaceable (spare part)

IP class: IP44

(This lamp is for indoors use only. It can be taken outdoors, but must be kept and stored indoors.)



Ø:9.6cm / 3.8in
VP9

Flowerpot^{VP12} Verner Panton 1969



Product no.	Product	Variant	Cord	Colli qty.	Lead time	Weight	PRICE EX. STATE TAX
146379A178	Floor lamp	Cobalt Blue	2m Black textile cord w. switch	1 pc	Stock item	5.50 kg	1.080
146379A209	Floor lamp	Grey Beige	2m Black textile cord w. switch	1 pc	Stock item	5.50 kg	1.080
146379A568	Floor lamp	Steel Blue NEW	2m Black textile cord w. switch	1 pc	Stock item	5.50 kg	1.080
146379A218	Floor lamp	Matt Black	2m Black textile cord w. switch	1 pc	Stock item	5.50 kg	1.080
146379A274	Floor lamp	Chrome-plated	2m Black textile cord w. switch	1 pc	Stock item	5.50 kg	1.350

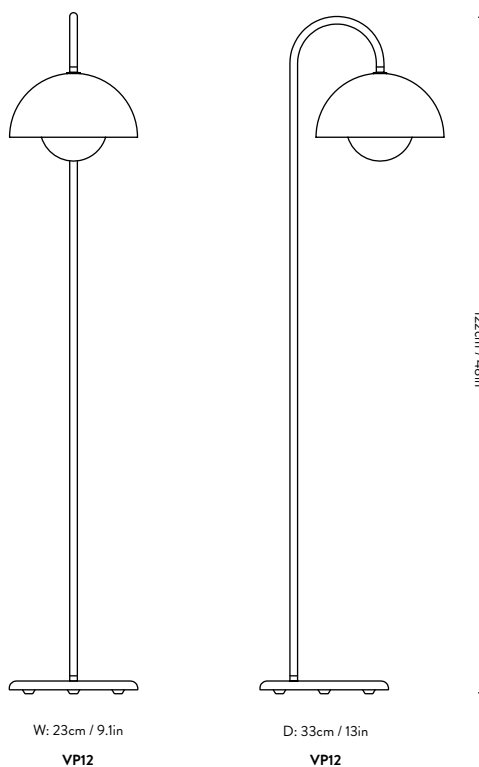
Technical Specification

E26 Max 40 Watt

Material: Painted or plated steel.

Bulb is not included.

Spare parts available. Please refer to the 'Spare Parts' section.



Topan ^{VP6} Verner Panton 1959



Product no.	Product	Variant	Cord	Colli qty.	Lead time	Weight	PRICE EX. STATE TAX
146375A218	Pendant	Matt Black	3m Black textile	2 pcs	Stock item	0.70 kg	405
146375A182	Pendant	Vermilion Red	3m Vermilion Red textile	2 pcs	Stock item	0.70 kg	405
146375A209	Pendant	Grey Beige	3m Grey Beige textile	2 pcs	Stock item	0.70 kg	405
146375A274	Pendant	Chrome-plated	3m Black textile	2 pcs	Stock item	0.70 kg	565

Technical Specification

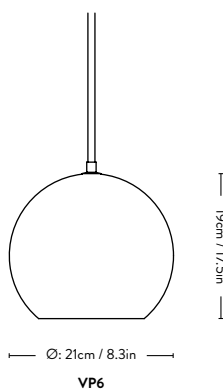
E26 Max 30 Watt

Material: Lacquered or plated aluminium.

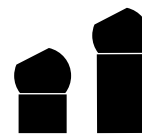
Black textile cord: Black canopy
White and other colored textile cords: White canopy

Bulb is not included.
Canopy included.

Spare parts available. Please refer to the 'Spare Parts' section.



Topan VP13 & VP14 Verner Panton 1959



Product no.	Product	Product code	Variant	Cord	Colli qty.	Lead time	Weight	PRICE EX. STATE TAX
146380A182	Table lamp	VP13	Vermilion Red	3m Vermilion Red textile	2 pcs	Stock item	1.16 kg	520
146380A209	Table lamp	VP13	Grey Beige	3m Grey Beige textile	2 pcs	Stock item	1.16 kg	520
146380A274	Table lamp	VP13	Chrome-plated	3m Black textile	2 pcs	Stock item	1.16 kg	675
146381A182	Table lamp	VP14	Vermilion Red	3m Vermilion Red textile	2 pcs	Stock item	1.55 kg	630
146381A209	Table lamp	VP14	Grey Beige	3m Grey Beige textile	2 pcs	Stock item	1.55 kg	630
146381A274	Table lamp	VP14	Chrome-plated	3m Black textile	2 pcs	Stock item	1.55 kg	790

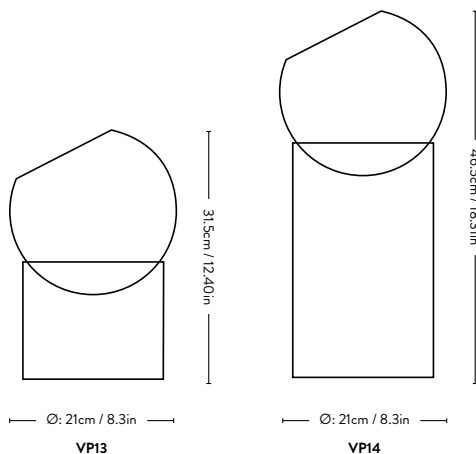
Technical Specification

E26 Max 12W LED

Material: Acrylic base, Aluminium shade, textile cord.

Bulb is not included.

Spare parts available. Please refer to the 'Spare Parts' section.



NEW

Utzon^{JU1} Jørn Utzon 1947



Product no.	Product	Variant	Cord	Colli qty.	Lead time	Weight	PRICE EX. STATE TAX
147619A325	Pendant	Matt White	4m White textile	2 pcs	Stock item	1.40 kg	450
147619A574	Pendant	Dark Burgundy	4m Dark Burgundy textile	2 pcs	Stock item	1.40 kg	495
147619A575	Pendant	Stone Grey	4m Stone Grey textile	2 pcs	Stock item	1.40 kg	495
147619A209	Pendant	Grey Beige	4m Grey Beige textile	2 pcs	Stock item	1.40 kg	495
147619A369	Pendant	Steel Blue	4m Black textile	2 pcs	Stock item	1.40 kg	495
147619A141	Pendant	Brass-plated	4m Black textile	2 pcs	Stock item	1.40 kg	855

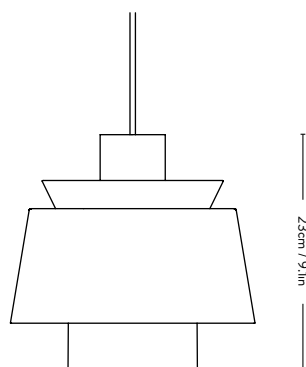
Technical Specification

E26 Max 40 Watt

Material: Lacquered or plated steel.

Black textile cord: Black canopy
White textile cords: White canopy

Bulb is not included.
Canopy included.



Ø: 22cm / 8.7in

JU1

NEW

Herman SHY3 Signe Hytte 2022



Product no.	Product	Variant	Cord	Colli qty.	Lead time	Weight	PRICE EX. STATE TAX
154800A125	Table lamp	Opal glass w. Walnut & Cream Marble	2m Black textile	2 pcs	Stock item	2.10 kg	675



The mark of responsible forestry

Made using FSC® certified wood, supporting responsible environmental, social and economical management of the world's forests. Visit www.fsc.org

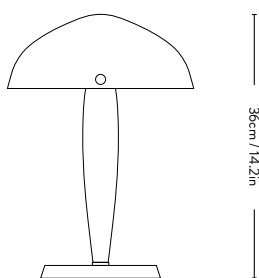
Technical Specification

E12 Max 25 Watt

Material: Opal glass, walnut & marble.

Bulb is not included.

Spare parts available. Please refer to the 'Spare Parts' section.

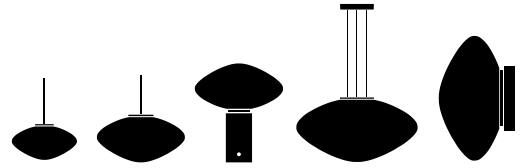


25cm / 9.8in
SHY3

NEW

Mist AP15-AP17, AP20 & AP22

All the Way to Paris 2023



Product no.	Product	Product code	Size	Variant	Cord	Colli qty.	Lead time	Weight	PRICE EX. STATE TAX
154803A324	Pendant	AP15	Ø:25 x H:13 cm	Opal Glass	3m White textile	1 pc	Stock item	1.30 kg	565
154804A324	Pendant	AP16	Ø:37 x H:20 cm	Opal Glass	3m White textile	1 pc	Stock item	2.00 kg	855
154807A324	Table lamp	AP17	Ø:37 x H:41 cm	Guatemala Verde w. Opal glass	2.5m Black textile	1 pc	Stock item	6.20 kg	1.080
154809A324	Table lamp	AP17	Ø:37 x H:41 cm	Grigio Caldo w. Opal Glass	2.5m Black textile	1 pc	Stock item	6.20 kg	1.080
154805A324	Pendant	AP20	Ø:56 x H:29 cm	Opal Glass	6m White textile	1 pc	Stock item	7.00 kg	1.800
156112A324	Wall lamp	AP22	Ø:25 x D:15 cm	Opal Glass		1 pc	Stock item	1.50 kg	565

Technical Specification

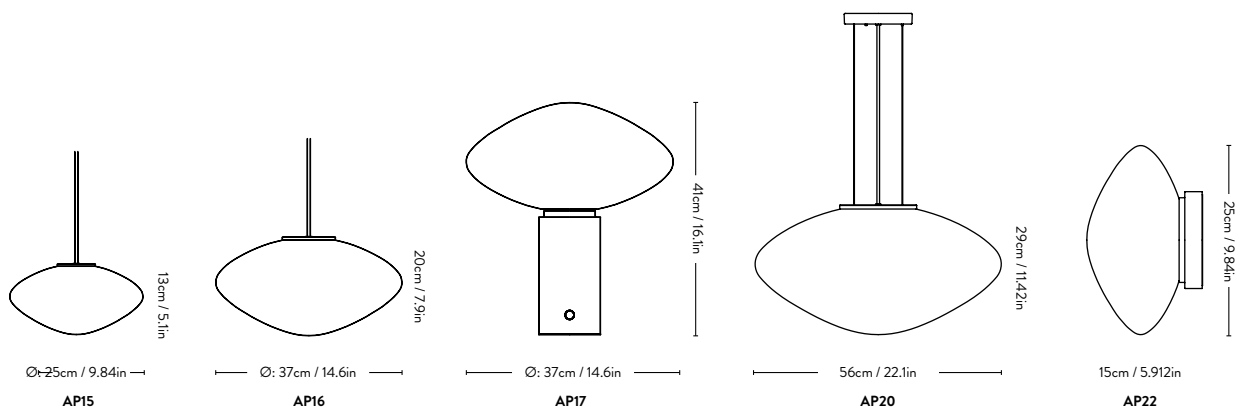
AP15: G9 Max 20 Watt
AP16: E12 Max 40 Watt
AP17: E12 Max 40 Watt, Dimmability: Dimmer on base
AP20: E26 Max 12 W LED
AP22: G9 Max. 5 Watt (not included)
 Indoor/outdoor - IP44
 Hardwired (installed directly to the power outlet).

Material:

AP15, AP16, AP20, AP22: Mouth-blown glass & aluminium
AP17: Mouth-blown glass & marble

Bulb is not included.
 White canopy is included for pendants.

Spare parts available. Please refer to the 'Spare Parts' section.



Lucca^{SC51} Space Copenhagen 2020



Product no.	Product	Variant	Colli qty.	Lead time	Weight	PRICE EX. STATE TAX
133163A127	Portable lamp	Black	2 pcs	Stock item	0.90 kg	270

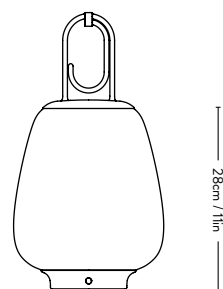
Technical Specification

2.5 Watt LED Board
 CRI: >80
 Colour temperature (Kelvin): 2700K
 Charging time: 8 hours
 Operating time in highest light setting: 12 hours
 Dimmability: 3 level touch dimmer on base 100% - 50% - 20%
 Battery: Replaceable (spare part)
 IP class: IP44 (This lamp works indoors and outdoors. It should be charged indoors, but can be left outside. Ensure the micro USB lid is closed to prevent water damage.)

Material: Satinised opal glass, powder-coated steel, brass.

LED board included – replaceable (spare part).
 Micro USB A 200 cm / 79 in charging cable included.

Spare parts available. Please refer to the 'Spare Parts' section.



16cm / 6.30in
 SC51

Manhattan ^{SC52} Space Copenhagen 2020



Product no.	Product	Variant	Colli qty.	Lead time	Weight	PRICE EX. STATE TAX
133164A119	Portable lamp	Bronzed	2 pcs	Stock item	0.50 kg	340

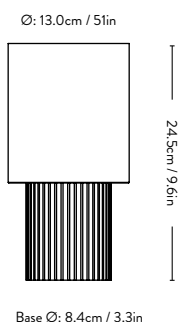
Technical Specification

G4 LED Bulb 1 Watt
 CRI: >85
 Colour temperature (Kelvin): 2700K
 Charging time: 1 battery 3.5 hours – 2 batteries 6 hours
 Operating time in highest light setting:
 1 battery 11 hours – 2 batteries 20 hours
 Dimmability: 3 level touch dimmer on base 100% - 70% - 40%
 Battery: Delivery with 1 battery. Replaceable (spare part)
 IP class: IP20

Material: Aluminium, Canvas, ABS

LED bulb included – replaceable (spare part).
 Magnetic USB A 200 cm / 79 in charging cable included.

Spare parts available. Please refer to the 'Spare Parts' section.



SC52

Como ^{SC53} Space Copenhagen 2020



Product no.	Product	Variant	Colli qty.	Lead time	Weight	PRICE EX. STATE TAX
133165A232	Portable lamp	Bronzed	2 pcs	Stock item	0.40 kg	340
133165A233	Portable lamp	Black	2 pcs	Stock item	0.40 kg	340
136731A138	Portable lamp	Brass	2 pcs	Stock item	0.60 kg	450
133165A207	Portable lamp	Stone Blue	2 pcs	Stock item	0.40 kg	340
133165A212	Portable lamp	Red Brown	2 pcs	Stock item	0.40 kg	340
133165A166	Portable lamp	Aluminium	2 pcs	Stock item	0.40 kg	340

Technical Specification

G4 LED Bulb 1 Watt

CRI: >85

Colour temperature (Kelvin): 2700K

Charging time: 1 battery 3.5 hours – 2 batteries 6 hours

Operating time in highest light setting:

1 battery 11 hours – 2 batteries 20 hours

Dimmability: 3 level touch dimmer on base 100% - 70% - 40%

Battery: Delivery with 1 battery. Replaceable (spare part)

IP class: IP44 (This lamp is for indoors use only. It can be taken outdoors, but must be kept and stored indoors.)

Material:

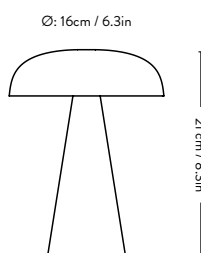
Metal variants: Anodised or lacquered aluminium or brass, polycarbonate (PC) & ABS

Painted variants: Aluminium & polycarbonate (PC) & ABS

LED bulb included – replaceable (spare part).

Magnetic USB A 200 cm / 79 inch charging cable included.

Spare parts available. Please refer to the 'Spare Parts' section.



SC53

Caret^{MF1} Matteo Fogale 2022



Product no.	Product	Variant	Colli qty.	Lead time	Weight	PRICE EX. STATE TAX
133166A160	Portable lamp	Silk Grey	2 pcs	Stock item	0.75 kg	365
133166A163	Portable lamp	Dark Burgundy	2 pcs	Stock item	0.75 kg	365
133166A572	Portable lamp NEW	Antracite	2 pcs	Stock item	0.75 kg	365
133166A573	Portable lamp NEW	Forest	2 pcs	Stock item	0.75 kg	365

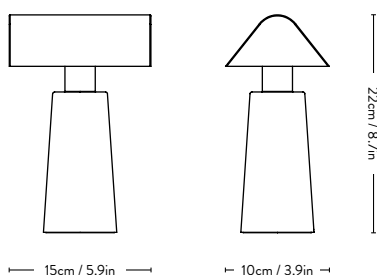
Technical Specification

G4 LED Bulb 1 Watt
 CRI: >85
 Colour temperature (Kelvin): 2700K
 Charging time: 1 battery 3.5 hours – 2 batteries 6 hours
 Operating time in highest light setting:
 1 battery 11 hours – 2 batteries 20 hours
 Dimmability: 3 level touch dimmer on base 100% - 70% - 40%
 Battery: Delivery with 1 battery. Replaceable (spare part)
 IP class: IP44 (This lamp is for indoors use only. It can be taken outdoors, but must be kept and stored indoors.)

Material: Lacquered steel, polycarbonate (PC), ABS

LED bulb included – replaceable (spare part).
 Magnetic USB A 200 cm / 79 in charging cable included.

Spare parts available. Please refer to the 'Spare Parts' section.



MF1

Raku^{SH8} Sebastian Herkner 2022



Product no.	Product	Variant	Colli qty.	Lead time	Weight	PRICE EX. STATE TAX
136746A118	Portable lamp	Blue Green & Brass	2 pcs	Stock item	0.90 kg	430
133167A117	Portable lamp	Beige Grey & Bronzed	2 pcs	Stock item	0.80 kg	430

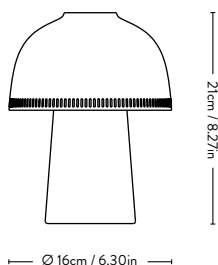
Technical Specification

G4 LED Bulb 1 Watt
 CRI: >85
 Colour temperature (Kelvin): 2700K
 Charging time: 1 battery 3.5 hours – 2 batteries 6 hours
 Operating time in highest light setting:
 1 battery 11 hours – 2 batteries 20 hours
 Dimmability: 3 levels 100% - 70% - 40%
 Battery: Delivery with 1 battery. Replaceable (spare part)
 IP class: IP44 (This lamp is for indoors use only. It can be taken outdoors, but must be kept and stored indoors.)

Material: Anodised aluminium or lacquered brass shade, ceramic with crackle glazed base, ABS

LED bulb included – replaceable (spare part).
 Magnetic USB A 200 cm / 79 inch charging cable included.

Spare parts available. Please refer to the 'Spare Parts' section.



SH8

Setago ^{JH27} Jaime Hayon 2019



Product no.	Product	Variant	Colli qty.	Lead time	Weight	PRICE EX. STATE TAX
133130A152	Portable lamp	Nude & Forest	2 pcs	Stock item	0.70 kg	225
133130A151	Portable lamp	Rust & Thunder	2 pcs	Stock item	0.70 kg	225
133130A150	Portable lamp	Maroon & Grape	2 pcs	Stock item	0.70 kg	225

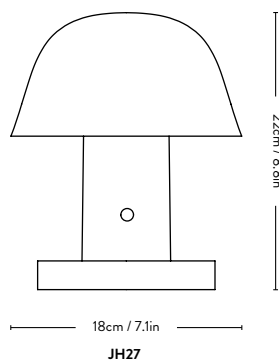
Technical Specification

G4 LED Bulb 3 Watt
 CRI: >80
 Colour temperature (Kelvin): 2800K
 Charging time: 8 hours
 Operating time in highest light setting: 10 hours
 Dimmability: 3 level touch dimmer on base 100% - 70% - 40%
 Battery: Replaceable (spare part)
 IP class: IP44 (This lamp is for indoors use only. It can be taken outdoors, but must be kept and stored indoors.)

Material: Moulded polycarbonate and brass.

LED bulb included - replaceable (spare part).
 Micro USB A 150 cm / 59 in charging cable included.

Spare parts available. Please refer to the 'Spare Parts' section.



Pivot ^{ATD7} & Tradition 2023



Product no.	Product	Variant	Colli qty.	Lead time	Weight	PRICE EX. STATE TAX
133277A357	Portable lamp	Rusty Mint	2 pcs	Stock item	1.60 kg	495
133277A264	Portable lamp	Blue Silver	2 pcs	Stock item	1.60 kg	495

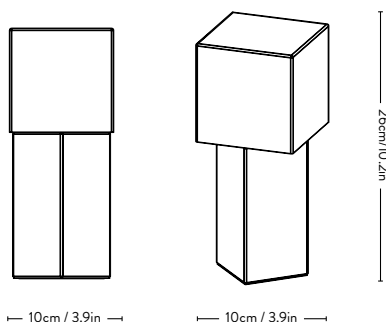
Technical Specification

G4 LED Bulb 3 Watt
 CRI: >80
 Colour temperature (kelvin): 2800K
 Charging time: 16 hours
 Operating time in highest light setting: 20 hours
 Dimmability: 3 level touch dimmer 100% - 70% - 40%
 Battery: Replaceable (spare part)
 IP class: IP44 (This lamp is for indoors use only. It can be taken outdoors, but must be kept and stored indoors.)

Material: Powder-coated steel & painted or chrome-plated steel

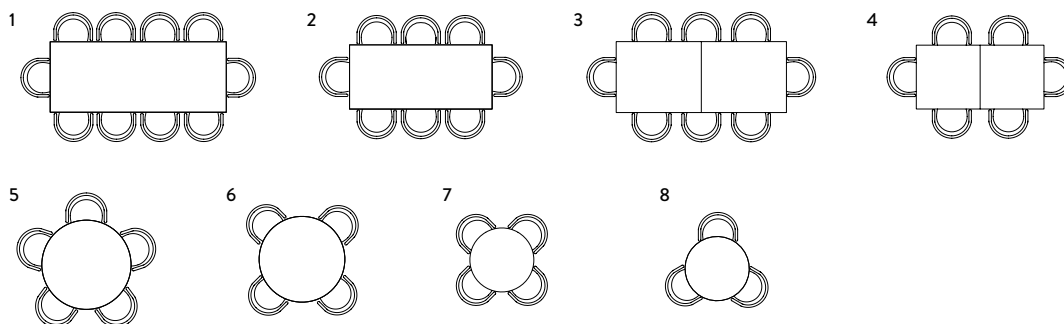
Magnetic USB A 200 cm / 79 in charging cable included.

Spare parts available. Please refer to the 'Spare Parts' section.



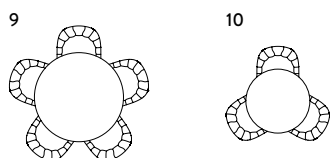
ATD7

Table Settings



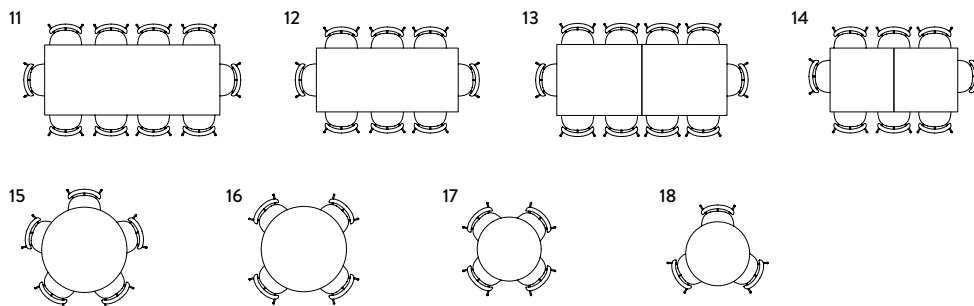
In Between Chair

Product	Size	Chairs
(1) In Between Table SK6	250 x 100cm / 98.4 x 39.3in	10 x In Between chairs (SK1/SK2)
(2) In Between Table SK5	200 x 90cm / 78.7 x 35.4in	8 x In Between chairs (SK1/SK2)
(3) Patch Table HW2	240 (+100cm) x 100cm / 94.5 (+39.4in) x 39.4in	8 x In Between chairs (SK1/SK2) - (extendend +2)
(4) Patch Table HW1	180 (+100cm) x 90cm / 70.9 (+39.4in) x 35.4in	6 x In Between chairs (SK1/SK2) - (extendend +2)
(5) In Between Table SK12	Ø: 120cm / 47.2in	5 x In Between chairs (SK1/SK2)
(6) In Between Table SK4	Ø: 120cm / 47.2in	4 x In Between chairs (SK1/SK2)
(7) In Between Table SK11	Ø: 90cm / 35.4in	4 x In Between chairs (SK1/SK2)
(8) In Between Table SK3	Ø: 90cm / 35.4in	3 x In Between chairs (SK1/SK2)



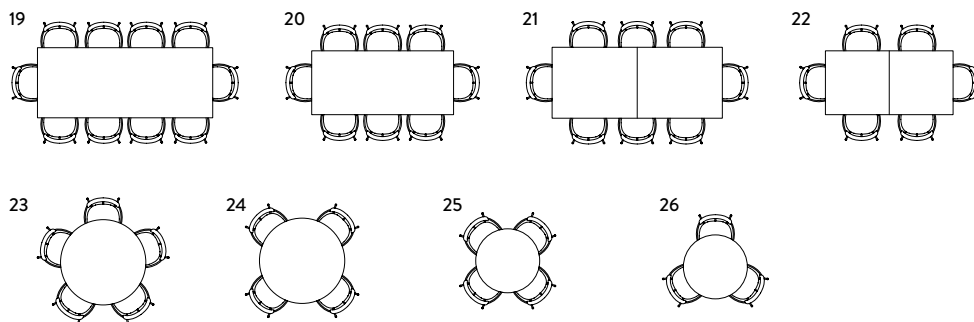
Loafer Dining Chair

Product	Size	Chairs
(9) In Between Table SK12	Ø: 120cm / 35.4in	5 x Loafer dining (SC24)
(10) In Between Table SK11	Ø: 90cm / 35.4in	3 x Loafer dining (SC24)



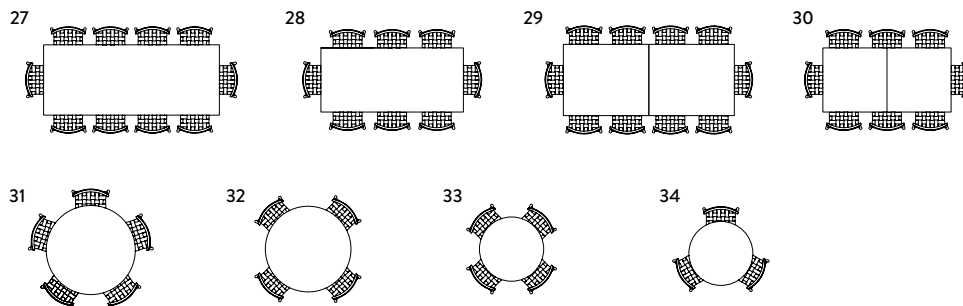
Pavilion Dining Chair

Product	Size	Chairs
(11) In Between Table SK6	250 x 100cm / 98.4 x 39.3in	10 x Pavilion (AV1/AV3)
(12) In Between Table SK5	200 x 90cm / 78.7 x 35.4in	8 x Pavilion (AV1/AV3)
(13) Patch Table HW2	240 (+100cm) x 100cm / 94.5 (+39.4in) x 39.4in	10 x Pavilion (AV1/AV3) - (extendend +4)
(14) Patch Table HW1	180 (+100cm) x 90cm / 70.9 (+39.4in) x 35.4in	8 x Pavilion (AV1/AV3) - (extendend +4)
(15) In Between Table SK12	Ø: 120cm / 47.2in	5 x Pavilion (AV1/AV3)
(16) In Between Table SK4	Ø: 120cm / 47.2in	4 x Pavilion (AV1/AV3)
(17) In Between Table SK11	Ø: 90cm / 35.4in	4 x Pavilion (AV1/AV3)
(18) In Between Table SK3	Ø: 90cm / 35.4in	3 x Pavilion (AV1/AV3)



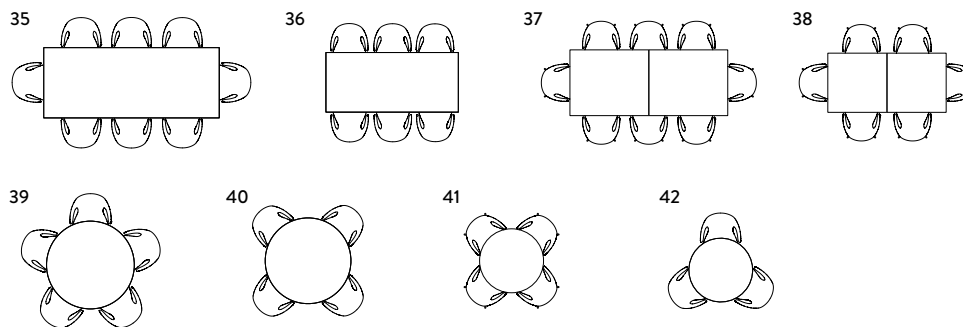
Pavilion Armrest Chair

Product	Size	Chairs
(19) In Between Table SK6	250 x 100cm / 98.4 x 39.3in	10 x Pavilion (AV2/AV4)
(20) In Between Table SK5	200 x 90cm / 78.7 x 35.4in	8 x Pavilion (AV2/AV4)
(21) Patch Table HW2	240 (+100cm) x 100cm / 94.5 (+39.4in) x 39.4in	8 x Pavilion (AV2/AV4) - (extended +2)
(22) Patch Table HW1	180 (+100cm) x 90cm / 70.9 (+39.4in) x 35.4in	6 x Pavilion (AV2/AV4) - (extended +2)
(23) In Between Table SK12	Ø: 120cm / 47.2in	5 x Pavilion (AV2/AV4)
(24) In Between Table SK4	Ø: 120cm / 47.2in	4 x Pavilion (AV2/AV4)
(25) In Between Table SK11	Ø: 90cm / 35.4in	4 x Pavilion (AV2/AV4)
(26) In Between Table SK3	Ø: 90cm / 35.4in	3 x Pavilion (AV2/AV4)



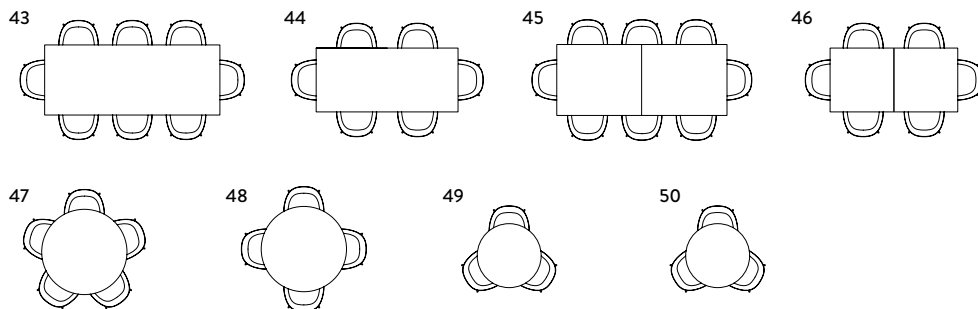
Betty Dining Chair

Product	Size	Chairs
(27) In Between Table SK6	250 x 100cm / 98.4 x 39.3in	10 x Betty (TK1/TK2)
(28) In Between Table SK5	200 x 90cm / 78.7 x 35.4in	8 x Betty (TK1/TK2)
(29) Patch Table HW2	240 (+100cm) x 100cm / 94.5 (+39.4in) x 39.4in	10 x Betty (TK1/TK2) - (extended +4)
(30) Patch Table HW1	180 (+100cm) x 90cm / 70.9 (+39.4in) x 35.4in	8 x Betty (TK1/TK2) - (extended +4)
(31) In Between Table SK12	Ø: 120cm / 47.2in	5 x Betty (TK1/TK2)
(32) In Between Table SK4	Ø: 120cm / 47.2in	4 x Betty (TK1/TK2)
(33) In Between Table SK11	Ø: 90cm / 35.4in	4 x Betty (TK1/TK2)
(34) In Between Table SK3	Ø: 90cm / 35.4in	3 x Betty (TK1/TK2)



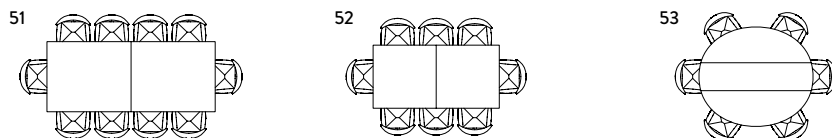
Catch Dining Chair

Product	Size	Chairs
(35) In Between Table SK6	250 x 100cm / 98.4 x 39.3in	8 x Catch (JH1/JH2/JH15)
(36) In Between Table SK5	200 x 90cm / 78.7 x 35.4in	6 x Catch (JH1/JH2/JH15)
(37) Patch Table HW2	240 (+100cm) x 100cm / 94.5 (+39.4in) x 39.4in	8 x Catch (JH1/JH2/JH15) - (extended +2)
(38) Patch Table HW1	180 (+100cm) x 90cm / 70.9 (+39.4in) x 35.4in	6 x Catch (JH1/JH2/JH15) - (extended +2)
(39) In Between Table SK12	Ø: 120cm / 47.2in	5 x Catch (JH1/JH2/JH15)
(40) In Between Table SK4	Ø: 120cm / 47.2in	4 x Catch (JH1/JH2/JH15)
(41) In Between Table SK11	Ø: 90cm / 35.4in	4 x Catch (JH1/JH2/JH15)
(42) In Between Table SK3	Ø: 90cm / 35.4in	3 x Catch (JH1/JH2/JH15)



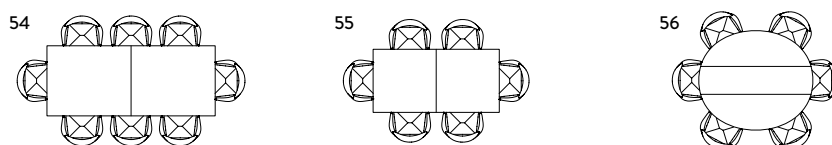
Elefy Dining Chair

Product	Size	Chairs
(43) In Between Table SK6	250 x 100cm / 98.4 x 39.3in	8 x Elefy (JH28 & JH29)
(44) In Between Table SK5	200 x 90cm / 78.7 x 35.4in	6 x Elefy (JH28 & JH29)
(45) Patch Table HW2	240 (+100cm) x 100cm / 94.5 (+39.4in) x 39.4in	8 x Elefy (JH28 & JH29) - (extended +2)
(46) Patch Table HW1	180 (+100cm) x 90cm / 70.9 (+39.4in) x 35.4in	6 x Elefy (JH28 & JH29) - (extended +2)
(47) In Between Table SK12	Ø: 120cm / 47.2in	5 x Elefy (JH28 & JH29)
(48) In Between Table SK4	Ø: 120cm / 47.2in	4 x Elefy (JH28 & JH29)
(49) In Between Table SK11	Ø: 90cm / 35.4in	3 x Elefy (JH28 & JH29)
(50) In Between Table SK3	Ø: 90cm / 35.4in	3 x Elefy (JH28 & JH29)



Drawn Dining Chair

Product	Size	Chairs
(51) Patch HW2	240 (+100cm) x 100cm / 94.5 (+39.4in) x 39.4in	10 x Drawn (HM3) / (extended +4)
(52) Patch HW1	180 (+100cm) x 90cm / 70.9 (+39.4in) x 35.4in	8 x Drawn (HM3) / (extended +4)
(53) Drop Leaf HM6	163 x 142cm / 64.2 x 55.9in	6 x Drawn (HM3)



Drawn Armrest Chair

Product	Size	Chairs
(54) Patch HW2	240 (+100cm) x 100cm / 94.5 (+39.4in) x 39.4in	8 x Drawn (HM4) / (extended +2)
(55) Patch HW1	180 (+100cm) x 90cm / 70.9 (+39.4in) x 35.4in	6 x Drawn (HM4) / (extended +2)
(56) Drop Leaf HM6	163 x 142cm / 64.2 x 55.9in	6 x Drawn (HM4)

Spare Parts

Family	Product code	Product no.	Product	Variant	Colli qty.	PRICE EX. STATE TAX		
Flowerpot Topan	VP1, VP2, VP7, VP10 VP6	135016	Canopy incl. ceiling bracket	White	1 pc	25		
		135017	Canopy incl. ceiling bracket	Black	1 pc	25		
		145109	Ceiling bracket for standard canopy		1 pc	17		
Flowerpot	VP1, VP2, VP6, VP7, VP10	133556	Logo ring + detail ring		1 pc	20		
	VP1, VP2, VP3, VP6, VP7, VP10	133557	Logo ring		1 pc	10		
	VP1, VP4	133606	Stand		1 pc	55		
	VP3	133607	Stand		1 pc	70		
		137592	Socket, Top part		1 pc	20		
		135449	O-ring for socket		1 pc	20		
		133558	Logo ring + top ball		1 pc	25		
	VP4	133561	Logo ring + screw thread		1 pc	35		
	VP10	135287	Stand		1 pc	45		
	VP12	137828	Stand		1 pc	55		
	Flowerpot Shades	VP1	145251A170	Lower shade	Black & White pattern	1 pc	90	
145251A268			Lower shade	Brass-plated	1 pc	90		
145251A171			Lower shade	Cobalt Blue & Twilight Blue pattern	1 pc	90		
145251A180			Lower shade	Dark Plum	1 pc	70		
145251A208			Lower shade	Stone Blue	1 pc	70		
145251A179			Lower shade	Swim Blue	1 pc	70		
145251A181			Lower shade	Tangy Pink	1 pc	70		
VP1, VP4, VP8, VP12			145251A274	Lower shade	Chrome-plated	1 pc	90	
		145251A218	Lower shade	Matt Black	1 pc	70		
		145251A568	Lower shade	Steel Blue	1 pc	70		
		145251A569	Lower shade	Ivory	1 pc	70		
		145251A570	Lower shade	Zesty Orange	1 pc	70		
VP1, VP8		145251A209	Lower shade	Grey Beige	1 pc	70		
		145251A219	Lower shade	Matt Light Grey	1 pc	70		
		145251A215	Lower shade	Mustard	1 pc	70		
		145251A205	Lower shade	Signal Green	1 pc	70		
		145251A182	Lower shade	Vermilion Red	1 pc	70		
		Flowerpot Shades	VP1, VP4, VP8, VP12	145251A221	Lower shade	Matt White	1 pc	70
			VP1, VP12	145251A178	Lower shade	Cobalt Blue	1 pc	70
VP2			145252A170	Lower shade	Black & White pattern	1 pc	205	
	145252A171		Lower shade	Cobalt Blue & Twilight Blue pattern	1 pc	205		
	145252A209		Lower shade	Grey Beige	1 pc	135		
	145252A218		Lower shade	Matt Black	1 pc	135		

Spare Parts

Family	Product code	Product no.	Product	Variant	Colli qty.	PRICE EX. STATE TAX
	VP2	145252A221	Lower shade	Matt White	1 pc	135
		145252A208	Lower shade	Stone Blue	1 pc	135
		145252A182	Lower shade	Vermilion Red	1 pc	135
		145252A568	Lower shade	Steel Blue	1 pc	135
		145252A569	Lower shade	Ivory	1 pc	135
		145252A570	Lower shade	Zesty Orange	1 pc	135
Flowerpot Shades	VP3	145250A268	Shade	Brass-plated	1 pc	135
		145250A274	Shade	Chrome-plated	1 pc	135
		145250A178	Shade	Cobalt Blue	1 pc	115
		145250A180	Shade	Dark Plum	1 pc	115
		145250A209	Shade	Grey Beige	1 pc	115
		145250A218	Shade	Matt Black	1 pc	115
		145250A219	Shade	Matt Light Grey	1 pc	115
		145250A221	Shade	Matt White	1 pc	115
		145250A215	Shade	Mustard	1 pc	115
		145250A205	Shade	Signal Green	1 pc	115
		145250A208	Shade	Stone Blue	1 pc	115
		145250A179	Shade	Swim Blue	1 pc	115
		145250A181	Shade	Tangy Pink	1 pc	115
		145250A182	Shade	Vermilion Red	1 pc	115
		145250A568	Shade	Steel Blue	1 pc	115
		145250A569	Shade	Ivory	1 pc	115
		145250A570	Shade	Zesty Orange	1 pc	115
	VP7	145253A170	Lower shade	Black & White pattern	1 pc	180
		145253A178	Lower shade	Cobalt Blue	1 pc	115
		145253A171	Lower shade	Cobalt Blue & Twilight Blue pattern	1 pc	180
		145253A180	Lower shade	Dark Plum	1 pc	115
		145253A209	Lower shade	Grey Beige	1 pc	115
		145253A218	Lower shade	Matt Black	1 pc	115
		145253A219	Lower shade	Matt Light Grey	1 pc	115
		145253A221	Lower shade	Matt White	1 pc	115
		145253A215	Lower shade	Mustard	1 pc	115
		145253A205	Lower shade	Signal Green	1 pc	115
		145253A208	Lower shade	Stone Blue	1 pc	115
		145253A179	Lower shade	Swim Blue	1 pc	115
		145253A181	Lower shade	Tangy Pink	1 pc	115
		145253A182	Lower shade	Vermilion Red	1 pc	115

Spare Parts

Family	Product code	Product no.	Product	Variant	Colli qty.	PRICE EX. STATE TAX
	VP7	145253A568	Lower shade	Steel Blue	1 pc	115
		145253A569	Lower shade	Ivory	1 pc	115
		145253A570	Lower shade	Zesty Orange	1 pc	115
	VP10	145254A170	Lower shade	Black & White pattern	1 pc	70
		145254A268	Lower shade	Brass-plated	1 pc	70
		145254A274	Lower shade	Chrome-plated	1 pc	70
		145254A178	Lower shade	Cobalt Blue	1 pc	70
		145254A171	Lower shade	Cobalt Blue & Twilight Blue pattern	1 pc	70
		145254A180	Lower shade	Dark Plum	1 pc	70
		145254A209	Lower shade	Grey Beige	1 pc	70
		145254A568	Lower shade	Steel Blue	1 pc	70
		145254A569	Lower shade	Ivory	1 pc	70
		145254A570	Lower shade	Zesty Orange	1 pc	70
		145254A218	Lower shade	Matt Black	1 pc	70
		145254A219	Lower shade	Matt Light Grey	1 pc	70
Flowerpot Shades	VP10	145254A221	Lower shade	Matt White	1 pc	70
		145254A215	Lower shade	Mustard	1 pc	70
		145254A205	Lower shade	Signal Green	1 pc	70
		145254A208	Lower shade	Stone Blue	1 pc	70
		145254A179	Lower shade	Swim Blue	1 pc	70
		145254A181	Lower shade	Tangy Pink	1 pc	70
		145254A182	Lower shade	Vermilion Red	1 pc	70
Topan	VP13	146407A209	Shade	Grey Beige	1 pc	430
		146407A182	Shade	Vermilion red	1 pc	430
		146407A274	Shade	Chrome plated	1 pc	585
		146094	Base	Clear acrylic	1 pc	90
Topan	VP14	146411A209	Shade	Grey Beige	1 pc	495
		146411A182	Shade	Vermilion red	1 pc	495
		146411A274	Shade	Chrome plated	1 pc	655
		146095	Base	Clear acrylic	1 pc	135
Mist	AP17	154810	Base	Guatemala Verde	1 pc	
		154808	Base	Grigio Caldo	1pc	
		133274	Shade	Opal glass	1 pc	
	AP20	154806	Light fixture		1pc	
		146109	Shade	Opal glass	1pc	
Caret	MF1	133632A163	Shade	Dark Burgundy	1 pc	55
		133632A160	Shade	Silk Grey	1 pc	55

Spare Parts

Family	Product code	Product no.	Product	Variant	Colli qty.	PRICE EX. STATE TAX
Caret	MF1	133632A572	Shade	Antracite	1 pc	55
		133632A573	Shade	Forest	1 pc	55
		133644	Base	Dark Burgundy	1 pc	45
		133645	Base	Silk Grey	1 pc	45
		157244	Base	Antracite	1 pc	45
		157243	Base	Forest	1 pc	45
Como	SC53	133630A207	Shade	Stone Blue	1 pc	55
		133630A212	Shade	Red Brown	1 pc	55
		133630A232	Shade	Bronzed	1 pc	55
		133630A233	Shade	Black	1 pc	55
		136732A138	Shade	Brass	1 pc	90
		133630A166	Shade	Aluminium	1 pc	55
		133639	Base	Red Brown	1 pc	45
		133640	Base	Stone Blue	1 pc	45
		133641	Base	Black	1 pc	45
		133642	Base	Bronzed	1 pc	45
		133643	Base	Brass	1 pc	70
		144562	Base	Aluminium	1 pc	45
		Lucca	SC51	133516	2,5W LED incl. Base Pad	
133517	Battery incl. Base Pad			1 pc	55	
133520	Shade incl. Base Pad			1 pc	115	
Manhattan	SC52	133631	Shade	Canvas	1 pc	115
Pivot	ATD7	133627A357	Shade	Rusty Mint	1 pc	205
		133627A264	Shade	Blue Silver	1 pc	205
		133635	Base	Rusty Mint	1 pc	205
		133636	Base	Blue Silver	1 pc	205
Raku	SH8	136747A144	Shade	Brass	1 pc	205
		133628A172	Shade	Bronzed	1 pc	205
		133637	Base	Blue Green	1 pc	115
		133638	Base	Beige Grey	1 pc	115
Setago	JH27	133521	Battery for lamps with PO before 302503 / 305057		1 pc	35
		144563	Battery LG		1 pc	33
		133511	USB A to Magnetic cable		1 pc	25
		133506	Battery		1 pc	35
Caret	MF1	133505	G4 light bulb 1W		1 pc	25
Como	SC53					
Manhattan	SC52					
Raku	SH8					

Spare Parts

Family	Product code	Product no.	Product	Variant	Colli qty.	PRICE EX. STATE TAX
Lucca Setago	SC51 JH27	133512	USB A to USB B micro cable		1 pc	25
Pivot Setago	ATD7 JH27	133504	G4 light bulb 3W		1 pc	25

Spare Parts

Furniture & Objects

Family	Product code	Product no.	Product	Variant	Colli qty.	PRICE EX. STATE TAX
Collect	SC83	133629	Glass Tube		1 pc	405
Inland	AV21, AV22, AV23, AV32, AV41, AV42	138796	Leg w. Felt Gliders, 2 pcs	Warm Black	1 pc	725
		138797	Leg w. Felt Gliders, 2 pcs	Polished aluminium	1 pc	725
RFH	RD5, RD6	137931	Hardware Kit		1 pc	25
Lato	LN8, LN9	133541	Hardware kit		1 pc	
Shuffle	MH1	133562A392	Table Top	Spectrum	1 pc	180
		133562A391	Table Top	Array	1 pc	180
		133542	Hardware Kit		1 pc	
Archivo	JH43	158407A491	Top shelf	Black Grey	1 pc	565
		158407A468	Top shelf	Sky Blue	1 pc	565
		158407A469	Top shelf	Oak	1 pc	810
	JH44	158408A491	Top shelf	Black Grey	1 pc	565
		158408A468	Top shelf	Sky Blue	1 pc	565
		158408A469	Top shelf	Oak	1 pc	810
	JH45	158409A491	Top shelf	Black Grey	1 pc	565
		158409A468	Top shelf	Sky Blue	1 pc	565
		158409A469	Top shelf	Oak	1 pc	810
Thorvald	SC99, SC113	139815	Hardware Kit	Bronze Green, Warm Black	1 pc	25
		145545	Hardware Kit	Ivory	1 pc	25
	SC96, SC97	136558	Hardware Kit	Bronze Green, Warm Black	1 pc	25
		145544	Hardware Kit	Ivory	1 pc	25
	SC98	136557	Hardware Kit	Bronze Green, Warm Black	1 pc	25
		145543	Hardware Kit	Ivory	1 pc	25
	SC108	157686	Hardware Kit	Warm Black	1 pc	25
		157687	Hardware Kit	Bronze green	1 pc	25
		157688	Hardware Kit	Ivory	1 pc	25
	SC96/SC108	135155A408	Tabletop	Warm Black	1 pc	620
		135155A409	Tabletop	Bronze Green	1 pc	620
		135155A410	Tabletop	Ivory	1 pc	620
	SC109	157227	Frame	Warm Black	1 pc	225
		157228	Frame	Bronze Green	1 pc	225
		157229	Frame	Ivory	1 pc	225
SC98/SC109	135160A408	Tabletop	Warm Black	1 pc	1.015	
	135160A409	Tabletop	Bronze Green	1 pc	1.015	
	135160A410	Tabletop	Ivory	1 pc	1.015	

Spare Parts

Furniture & Objects

Family	Product code	Product no.	Product	Variant	Colli qty.	PRICE EX. STATE TAX
Thorvald	SC108	157224	Frame	Warm Black	1 pc	285
		157225	Frame	Bronze Green	1 pc	285
	SC108	157226	Frame	Ivory	1 pc	285
Ville	AV25, AV26, AV27, AV28, AV50	135805	Hardware Kit		1 pc	25
	AV25, AV26, AV50	135823	Replacement slat, end	Teak	1 pc	135
		135822	Replacement slat, Middle	Teak	1 pc	135
	AV27, AV28, AV47	135979	Replacement Slat, End	Teak	1 pc	90
		135978	Replacement Slat, Middle	Teak	1 pc	90
	AV34	136647	Replacement Slat, Armrest	Teak	1 pc	25
	AV44	147552	Replacement slat, Armrest	Teak	1 pc	25
	AV47	145485	Hardware Kit		1 pc	25
In Between	SK11, SK12, SK20	156368	Hardware kit		1 pc	25
	SK16, SK17, SK21, SK22	156367	Hardware kit		1 pc	25
	SK25, SK27	147327	Hardware kit	Black & Smoked oak	1 pc	25
		147447	Hardware kit	Oak	1 pc	25
	SK26, SK28	147328	Hardware kit	Black & Smoked oak	1 pc	25
		147448	Hardware kit	Oak	1 pc	25
	Sett	LN11	145805	Legs	Dark chrome	1 pc
146587			Frame	Dark chrome	1 pc	135
LN12		145802	Frame L133cm	Dark chrome	1 pc	270
		145803	Frame L53cm	Dark chrome	1 pc	160
LN13		145804	Frame	Dark chrome	1 pc	205
LN12, LN13		147313	Legs	Dark chrome	1 pc	90
LN11, LN12, LN13		147314	Hardware kit		1 pc	25
Rombe	IF1, IF2, IF3, IF4, IF5, IF6	147329	Hardware Kit Rombe Wall bracket	Alabaster	1 pc	25
		147330	Hardware Kit Rombe Top cap	Alabaster & Anthracite	1 pc	25
		147331	Hardware Kit Rombe Shelf and Desk	Alabaster	1 pc	25
		156182	Hardware Kit Rombe Shelf and Desk	Anthracite	1 pc	25
		156183	Hardware Kit Rombe Wall bracket	Anthracite	1 pc	25

Spare Parts

Gliders

Family	Product code	Product no.	Product	Variant	Colli qty.	PRICE EX. STATE TAX
Allwood	AV35	135743	Plastic Glider for Allwood, 4 pcs	Black	2 pcs	25
		135744	Felt Glider for Allwood, 4 pcs	Black	2 pcs	25
Drawn Elefy Muno Meantime Rely	HM3, HM4 JH30, JH31 LN16-LN20 AV29-AV31 HW6-HW10, HW33- HW37, HW71-HW105	145307	Plastic gliders for Drawn, Elefy w. wood base, Rely w. tube (ex. stacking) & wood base, Muno, and Meantime Lounge Chairs, 4 pcs	Black	1 pc	20
		145308	Felt gliders for Drawn, Elefy w. wood base, Black Rely w. tube (ex. stacking) & wood base, Muno, and Meantime Lounge Chairs, 4 pcs		1 pc	20
Elefy Pavilion	JH28, JH29 AV1-AV15, AV36-AV38	145303	Plastic gliders for Pavilion and Elefy w. tube base, 4 pcs	Black	1 pc	30
		145304	Felt gliders for Pavilion and Elefy w. tube base, 4 pcs	Black	1 pc	30
In Between Betty RFH	SK1, SK2, SK7-SK10 TK1-TK3, TK7-TK17 RD7, RD8	145306	Plastic gliders for In Between Chairs, Betty Chairs, and RFH Dining & Lounge Chair, 4 pcs	Black	1 pc	20
		145309	Felt gliders for In Between Chairs, Betty Chairs, and RFH Dining & Lounge Chair, 4 pcs	Black	1 pc	20
RFH	RD4 RD5, RD6	137923	Plastic Glider for RFH RD4, 4 pcs.	Black	1 pc	25
		137930	Plastic Glider for RFH RD5, RD6, 4 pcs.	Black	1 pc	25
Thorvald	SC96, SC97	135294	Plastic gliders for Thorvald Café Table, 4 pcs	Black	1 pc	
		135295	Plastic gliders for Thorvald Dining Table, 4 pcs	Black	1 pc	
	SC94, SC95, SC100, SC101	135290	Plastic gliders for Thorvald, 4 pcs	Warm Black	1 pc	
		135292	Plastic gliders for Thorvald, 4 pcs	Bronze Green	1 pc	
		135288	Plastic gliders for Thorvald, 4 pcs	Ivory	1 pc	
	SC102	135296	Plastic gliders for Thorvald Side Table, 4 pcs	Black	1 pc	
Thorvald	SC110, SC111	154813	Plastic gliders for Thorvald, 4 pcs	Warm Black	1 pc	20
		154814	Plastic gliders for Thorvald, 4 pcs	Bronze Green	1 pc	20
		154815	Plastic gliders for Thorvald, 4 pcs	Ivory	1 pc	20
	SC112	157702	Plastic gliders for Thorvald, 4 pcs	Warm Black	1 pc	20
		157703	Plastic gliders for Thorvald, 4 pcs	Bronze green	1 pc	20
		157704	Plastic gliders for Thorvald, 4 pcs	Ivory	1 pc	20
Ville	AV33, AV34, AV45, AV46 AV25, AV26, AV27, AV28, AV47, AV50	135514	Plastic gliders for Ville, 4 pcs	Black	1 pc	
		135520	Plastic gliders for Ville, 4 pcs	Black	1 pc	
Rely	HW138	156123	Plastic glider for Rely Outdoor, Back 2 pcs	Black	1 pc	20
		156122	Plastic glider for Rely Outdoor, Front 2 pcs	Black	1 pc	20

Spare Parts

Family	Product code	Product no.	Product	Colli qty.	PRICE EX. STATE TAX
Develius Mellow	EV8A	136572	Cover, Left Armrest		
	EV8B	136573	Cover, Right Armrest		
			Fabric gr. 1: Grain, Hot Madison, Remix, Re-Wool	1 pc	1.170
			Fabric gr. 2: Barnum, Canvas, Fiord	1 pc	1.440
			Fabric gr. 3: Hallingdal, Mylla, Steelcut Quartet, Steelcut Trio	1 pc	1.530
			Fabric gr. 4: Acca, Beda, Cifrado, Ecriture, Vidar	1 pc	1.935
			Fabric gr. 5: Gentle, Karakorum, Sisu	1 pc	2.250
			Fabric gr. 6: Fuse	1 pc	3.150
		COM Fabric	1 pc	1.170	
Develius Mellow	EV8C	136574	Cover, Center		
			Fabric gr. 1: Grain, Hot Madison, Remix, Re-Wool	1 pc	945
			Fabric gr. 2: Barnum, Canvas, Fiord	1 pc	1.170
			Fabric gr. 3: Hallingdal, Mylla, Steelcut Quartet, Steelcut Trio	1 pc	1.240
			Fabric gr. 4: Acca, Beda, Cifrado, Ecriture, Vidar	1 pc	1.575
			Fabric gr. 5: Gentle, Karakorum, Sisu	1 pc	1.800
			Fabric gr. 6: Fuse	1 pc	2.475
			COM Fabric	1 pc	945
Develius Mellow	EV8D	136575	Cover, Corner		
			Fabric gr. 1: Grain, Hot Madison, Remix, Re-Wool	1 pc	1.105
			Fabric gr. 2: Barnum, Canvas, Fiord	1 pc	1.350
			Fabric gr. 3: Hallingdal, Mylla, Steelcut Quartet, Steelcut Trio	1 pc	1.465
			Fabric gr. 4: Acca, Beda, Cifrado, Ecriture, Vidar	1 pc	1.800
			Fabric gr. 5: Gentle, Karakorum, Sisu	1 pc	2.025
			Fabric gr. 6: Fuse	1 pc	2.925
			COM Fabric	1 pc	1.105
Develius Mellow	EV8E	136576	Cover, Pouf		
			Fabric gr. 1: Grain, Hot Madison, Remix, Re-Wool	1 pc	655
			Fabric gr. 2: Barnum, Canvas, Fiord	1 pc	790
			Fabric gr. 3: Hallingdal, Mylla, Steelcut Quartet, Steelcut Trio	1 pc	855
			Fabric gr. 4: Acca, Beda, Cifrado, Ecriture, Vidar	1 pc	1.060
			Fabric gr. 5: Gentle, Karakorum, Sisu	1 pc	1.240
			Fabric gr. 6: Fuse	1 pc	1.690
			COM Fabric	1 pc	655
Develius Mellow	EV8F	136577	Cover, Left Open Ended		
		136578	Cover, Right Open Ended		
			Fabric gr. 1: Grain, Hot Madison, Remix, Re-Wool	1 pc	1.035
			Fabric gr. 2: Barnum, Canvas, Fiord	1 pc	1.260
		Fabric gr. 3: Hallingdal, Mylla, Steelcut Quartet, Steelcut Trio	1 pc	1.350	

Spare Parts

Family	Product code	Product no.	Product	Colli qty.	PRICE EX. STATE TAX
			Fabric gr. 4: Acca, Beda, Cifrado, Ecriture, Vidar	1 pc	1.735
			Fabric gr. 5: Gentle, Karakorum, Sisu	1 pc	2.025
			Fabric gr. 6: Fuse	1 pc	2.815
			COM Fabric	1 pc	1.035
Develius	EV8H	136579	Cover, Left Chaise Lounge		
Mellow	EV8I	136580	Cover, Right Chaise Lounge		
			Fabric gr. 1: Grain, Hot Madison, Remix, Re-Wool	1 pc	1.350
			Fabric gr. 2: Barnum, Canvas, Fiord	1 pc	1.690
			Fabric gr. 3: Hallingdal, Mylla, Steelcut Quartet, Steelcut Trio	1 pc	1.800
			Fabric gr. 4: Acca, Beda, Cifrado, Ecriture, Vidar	1 pc	2.250
			Fabric gr. 5: Gentle, Karakorum, Sisu	1 pc	2.475
			Fabric gr. 6: Fuse	1 pc	3.600
			COM Fabric	1 pc	1.350
Develius	EV8J	136581	Cover, High Left Armrest		
Mellow	EV8K	136582	Cover, High Right Armrest		
			Fabric gr. 1: Grain, Hot Madison, Remix, Re-Wool	1 pc	1.195
			Fabric gr. 2: Barnum, Canvas, Fiord	1 pc	1.465
			Fabric gr. 3: Hallingdal, Mylla, Steelcut Quartet, Steelcut Trio	1 pc	1.575
			Fabric gr. 4: Acca, Beda, Cifrado, Ecriture, Vidar	1 pc	2.025
			Fabric gr. 5: Gentle, Karakorum, Sisu	1 pc	2.250
			Fabric gr. 6: Fuse	1 pc	3.150
			COM Fabric	1 pc	1.195
Fly	SC1	134568	Seat cushion		
	SC2, SC3	134569	Seat cushion, Left		
	SC2, SC3	134570	Seat cushion, Right		
	SC10	134572	Seat cushion		
	SC12	134573	Seat cushion, Left		
	SC12	134574	Seat cushion, Middle		
	SC12	134575	Seat cushion, Right		
			Fabric gr. 1: Grain, Hot Madison, Remix, Re-Wool	1 pc	790
			Fabric gr. 2: Barnum, Canvas, Fiord	1 pc	945
			Fabric gr. 3: Hallingdal, Mylla, Steelcut Quartet, Steelcut Trio	1 pc	990
			Fabric gr. 4: Acca, Cifrado, Ecriture, Vidar	1 pc	1.105
			Fabric gr. 5: Gentle, Karakorum, Sisu, Zade	1 pc	1.735
			Fabric gr. 6: Fuse	1 pc	1.915
			COM Fabric	1 pc	790
Fly		134576	Small cushion		
			Fabric gr. 1: Grain, Hot Madison, Remix, Re-Wool	1 pc	270
			Fabric gr. 2: Barnum, Canvas, Fiord	1 pc	295
			Fabric gr. 3: Hallingdal, Mylla, Steelcut Quartet, Steelcut Trio	1 pc	315

Spare Parts

Family	Product code	Product no.	Product	Colli qty.	PRICE EX. STATE TAX
			Fabric gr. 4: Acca, Cifrado, Ecriture, Vidar	1 pc	340
			Fabric gr. 5: Gentle, Karakorum, Sisu, Zade	1 pc	540
			Fabric gr. 6: Fuse	1 pc	610
			COM Fabric	1 pc	270
Fly		134577	Medium cushion		
			Fabric gr. 1: Grain, Hot Madison, Remix, Re-Wool	1 pc	360
			Fabric gr. 2: Barnum, Canvas, Fiord	1 pc	405
			Fabric gr. 3: Hallingdal, Mylla, Steelcut Quartet, Steelcut Trio	1 pc	430
			Fabric gr. 4: Acca, Cifrado, Ecriture, Vidar	1 pc	450
			Fabric gr. 5: Gentle, Karakorum, Sisu, Zade	1 pc	675
			Fabric gr. 6: Fuse	1 pc	745
			COM Fabric	1 pc	360
Fly		134578	Back cushion		
			Fabric gr. 1: Grain, Hot Madison, Remix, Re-Wool	1 pc	475
			Fabric gr. 2: Barnum, Canvas, Fiord	1 pc	520
			Fabric gr. 3: Hallingdal, Mylla, Steelcut Quartet, Steelcut Trio	1 pc	565
			Fabric gr. 4: Acca, Cifrado, Ecriture, Vidar	1 pc	585
			Fabric gr. 5: Gentle, Karakorum, Sisu, Zade	1 pc	900
			Fabric gr. 6: Fuse	1 pc	990
			COM Fabric	1 pc	475
Kape	IF7	155385	Cover Back & Seat		
			Grain, Hot Madison, Remix, Re-wool	1 pc	450
			Barnum, Canvas, Fiord	1 pc	520
			Hallingdal, Mylla, Steelcut Quartet, Steelcut Trio	1 pc	565
			Acca, Cifrado, Ecriture, Vidar	1 pc	675
			Gentle, Karakorum, Sisu	1 pc	745
			Fuse	1 pc	1.015
			Tailor Semi-aniline leather	1 pc	630
			Noble Aniline leather	1 pc	790
			Elmosoft Semi-aniline leather	1 pc	880
			COM Fabric		450

Spare Parts

Product no.	Product	Colli qty.	PRICE EX. STATE TAX
138844	Care Kit, Linoleum	1 pc	70
137591	Care Kit, Leather	1 pc	70
135821	Care Kit, Teak	1 pc	70
133539	Cleaning Kit, Laminate	1 pc	40

Maintenance & Care

We challenge convention to create products that rethink how we use materials and manufacturing techniques. We find beauty in products that can be created by the latest industrial processes as well as those that maintain techniques that have evolved over a long period of time. We strive for timeless beauty and quality that is made to last.

Find information about the materials and variants used in the collection as well as guidelines for daily care, cleaning and maintenance through the link below:

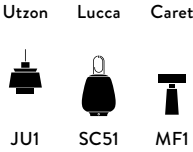
<https://www.andtradition.com/maintenance-and-care>

Colour Overview

	Flowerpot								Topan		Como		
	VP10	VP1	VP7	VP2	VP3	VP4	VP8	VP9	VP12	VP6	VP13	VP14	SC53
Matt White	•	•	•	•	•	•	•	•					
Matt Light Grey	•	•	•		•		•	•					
Matt Black	•	•	•	•	•	•	•	•	•	•	•	•	
Mustard	•	•	•		•		•	•					
Stone Blue	•	•	•	•	•			•					•
Red Brown													•
Grey Beige	•	•	•	•	•		•	•	•	•	•	•	
Signal Green	•	•	•		•		•	•					
Cobalt Blue	•	•	•		•			•	•				
Vermilion Red	•	•	•	•	•		•	•		•	•	•	
Tangy Pink	•	•	•		•			•					
Dark Plum	•	•	•		•			•					
Swim Blue	•	•	•		•			•					
Steel Blue	•	•	•	•	•	•	•	•	•				
Ivory	•	•	•	•	•			•					
Zesty Orange	•	•	•	•	•			•					
Cobalt Blue & Twilight Blue	•	•	•	•									
Black & White	•	•	•	•									

*Variations in colours might occur.

Colour Overview



Black		•	
White	•		
Silk Grey			•
Dark Burgundy	•		•
Antracite			•
Forest			•
Steel Blue	•		
Stone Grey	•		
Grey Beige	•		

*Variations in colours might occur.

Fabric Overview

Manufacturer	Fabric	Martindale	BS 5852 (Part 1)	EN 1021 (Part 1/2)	US. Cal. Bull 117-2013	BS5852 Crib 5.	CRIB 5 Treatable
&Tradition	Noble Aniline leather		•	•	•		
	Tailor Semi-aniline leather		•	•	•		
Dedar	Karakorum	40.000	•	•	•	•	
Elmo Leathers	Elmosoft Semi-aniline		•	•	•	•	
Gabriel	Grain	100.000		•	•		
JAB	Hot Madison	55.000			•		
Kvadrat	Acca	50.000	◦	•	•		•
	Beda	65.000	◦	•	•		•
	Canvas	100.000	•	•	•		•
	Cifrado	30.000	◦	•	•		•
	Ecriture	70.000	•	•	•		•
	Fiord	60.000	•	•	•		•
	Fuse	100.000	•	•	•	•	
	Gentle	80.000	•	•	•		•
	Hallingdal	100.000	•	•	•	•	
	Mylla	50.000	◦	•	•		•
	Remix	100.000	•	•	•		•
	Re-Wool	100.000	•	•	•		•
	Sisu	70.000	•	•	•		•
	Steelcut Quartet	100.000	•	•	•		•
	Steelcut Trio	120.000	•	•	•		•
	Vidar	100.000	•	•	•		•
Zade	35.000	•	•	•			
Nevotex	Barnum	60.000	•		•		
Scandilock	Sheepskin		•		•	•	
Sunbrella	Heritage	22.000	◦	◦	•		
	Marquetry	22.000	◦	◦	•		

◦ Pass with treatment.

* Can be tested upon request.

Packaging Information

Product	Product code	Category	Height cm	Width cm	Depth cm	Weight	Colli qty.
Catch	JH1	Chair	90	61	61	15.50 kg	1 pc
Catch	JH2	Chair	90	61	61	16.50 kg	1 pc
Catch	JH15	Chair	90	61	61	15.50 kg	1 pc
Catch	JH13	Lounge Chair	90	84	94	19.00 kg	1 pc
Catch	JH14	Lounge Chair	90	84	94	19.00 kg	1 pc
Catch	JH16	Counter Chair	125	61	61	21.20 kg	1 pc
Catch	JH17	Bar Chair	125	61	61	19.50 kg	1 pc
Elefy	JH28	Chair	83	59	59	9.40 kg	1 pc
Elefy	JH29	Chair	83	59	59	11.20 kg	1 pc
Elefy	JH30	Chair	83	59	59	10.00 kg	1 pc
Elefy	JH31	Chair	83	59	59	11.80 kg	1 pc
Elefy	JH32	Chair	83	59	59	12.20 kg	1 pc
Elefy	JH33	Chair	83	59	59	14.00 kg	1 pc
Elefy	JH34	Chair	83	59	59	12.20 kg	1 pc
Elefy	JH35	Chair	83	59	59	14.00 kg	1 pc
Elefy	JH36	Chair	83	59	59	12.70 kg	1 pc
Elefy	JH37	Chair	83	59	59	14.50 kg	1 pc
In Between	SK1	Chair	95	72	60	13.30 kg	2 pcs
In Between	SK2	Chair	95	72	60	13.80 kg	2 pcs
In Between	SK7	Counter Chair	104	54	60	8.50 kg	1 pc
In Between	SK8	Counter Chair	104	54	60	8.70 kg	1 pc
In Between	SK9	Bar Chair	104	54	60	8.90 kg	1 pc
In Between	SK10	Bar Chair	104	54	60	9.10 kg	1 pc
Pavilion	AV1	Chair	89	55	55	12.00 kg	2 pcs
Pavilion	AV2	Chair with Armrest	89	59	59	13.00 kg	2 pcs
Pavilion	AV3	Chair	89	55	55	12.00 kg	2 pcs
Pavilion	AV4	Chair with Armrest	89	59	59	13.00 kg	2 pcs
Pavilion	AV5	Lounge Chair	72	70	67	8.00 kg	1 pc
Pavilion	AV6	Lounge Chair	72	70	67	6.00 kg	1 pc
Pavilion	AV7	Counter Chair	97	53	51	7.00 kg	1 pc
Pavilion	AV8	Counter Chair	97	53	51	7.00 kg	1 pc
Pavilion	AV9	Bar Chair	95	55	51	7.00 kg	1 pc
Pavilion	AV10	Bar Chair	95	55	51	7.00 kg	1 pc
Pavilion	AV11	Lounge Chair	72	70	67	9.00 kg	1 pc
Pavilion	AV12	Chair	89	55	55	15.00 kg	2 pcs
Pavilion	AV13	Chair with Armrest	89	55	55	16.00 kg	2 pcs
Pavilion	AV51	Side Chair	90	56	56	11.80 kg	2 pcs
Pavilion	AV52	Side Chair	90	56	56	12.30 kg	2 pcs
Pavilion	AV53	Side Chair	90	56	56	12.70 kg	2 pcs
Pavilion	AV14	Counter Chair	97	53	51	7.00 kg	1 pc

Packaging Information

Product	Product code	Category	Height cm	Width cm	Depth cm	Weight	Colli qty.
Pavilion	AV15	Bar Chair	95	55	51	7.00 kg	1 pc
Pavilion	AV36	Stool	49.5	45	38.5	3.50 kg	1 pc
Pavilion	AV37	Counter Chair	69	47	40	4.90 kg	1 pc
Pavilion	AV38	Bar Chair	79	47	40	5.30 kg	1 pc
Rely	HW6	Chair	84	51	60	9.05 kg	1 pc
Rely	HW7	Chair	84	51	60	10.35 kg	1 pc
Rely	HW8	Chair	84	51	60	9.55 kg	1 pc
Rely	HW9	Chair	84	51	60	10.65 kg	1 pc
Rely	HW10	Chair	84	51	60	10.65 kg	1 pc
Rely	HW11	Chair	84	51	60	11.65 kg	1 pc
Rely	HW12	Chair	84	51	60	12.95 kg	1 pc
Rely	HW13	Chair	84	51	60	12.15 kg	1 pc
Rely	HW14	Chair	84	51	60	13.25 kg	1 pc
Rely	HW15	Chair	84	51	60	13.25 kg	1 pc
Rely	HW16	Chair	84	51	60	11.65 kg	1 pc
Rely	HW17	Chair	84	51	60	12.95 kg	1 pc
Rely	HW18	Chair	84	51	60	12.15 kg	1 pc
Rely	HW19	Chair	84	51	60	13.25 kg	1 pc
Rely	HW20	Chair	84	51	60	13.25 kg	1 pc
Rely	HW21	Chair	84	51	60	11.65 kg	1 pc
Rely	HW22	Chair	84	51	60	12.95 kg	1 pc
Rely	HW23	Chair	84	51	60	12.15 kg	1 pc
Rely	HW24	Chair	84	51	60	13.25 kg	1 pc
Rely	HW25	Chair	84	51	60	13.25 kg	1 pc
Rely	HW26	Chair	84	56	60	8.80 kg	1 pc
Rely	HW27	Chair	84	56	60	8.80 kg	1 pc
Rely	HW28	Chair	82	68	68	12.50 kg	1 pc
Rely	HW29	Chair	82	68	68	13.80 kg	1 pc
Rely	HW30	Chair	82	68	68	13.00 kg	1 pc
Rely	HW31	Chair	82	68	68	14.10 kg	1 pc
Rely	HW32	Chair	82	68	68	14.10 kg	1 pc
Rely	HW33	Chair	85	62	62	10.90 kg	1 pc
Rely	HW34	Chair	85	62	62	12.10 kg	1 pc
Rely	HW35	Chair	85	62	62	5.70 kg	1 pc
Rely	HW36	Chair	85	62	62	6.80 kg	1 pc
Rely	HW37	Chair	85	62	62	6.80 kg	1 pc
Rely	HW38	Chair	85	62	62	13.40 kg	1 pc
Rely	HW39	Chair	85	62	62	14.70 kg	1 pc
Rely	HW40	Chair	85	62	62	9.40 kg	1 pc
Rely	HW41	Chair	85	62	62	9.40 kg	1 pc

Packaging Information

Product	Product code	Category	Height cm	Width cm	Depth cm	Weight	Colli qty.
Rely	HW42	Chair	85	62	62	9.40 kg	1 pc
Rely	HW43	Chair	85	62	62	13.40 kg	1 pc
Rely	HW44	Chair	85	62	62	14.70 kg	1 pc
Rely	HW45	Chair	85	62	62	8.30 kg	1 pc
Rely	HW46	Chair	85	62	62	9.40 kg	1 pc
Rely	HW47	Chair	85	62	62	9.40 kg	1 pc
Rely	HW48	Chair	85	62	62	13.40 kg	1 pc
Rely	HW49	Chair	85	62	62	14.70 kg	1 pc
Rely	HW50	Chair	85	62	62	8.30 kg	1 pc
Rely	HW51	Chair	85	62	62	9.40 kg	1 pc
Rely	HW52	Chair	85	62	62	9.40 kg	1 pc
Rely	HW53	Chair	85	62	62	14.50 kg	1 pc
Rely	HW54	Chair	85	62	62	15.80 kg	1 pc
Rely	HW55	Chair	85	68	68	9.40 kg	1 pc
Rely	HW56	Chair	85	68	68	10.50 kg	1 pc
Rely	HW57	Chair	85	68	68	10.50 kg	1 pc
Rely	HW65	Chair	84	56	60	14.20 kg	2 pcs
Rely	HW66	Chair	84	56	60	16.20 kg	2 pcs
Rely	HW67	Chair	84	56	60	15.60 kg	2 pcs
Rely	HW68	Chair	84	56	60	17.80 kg	2 pcs
Rely	HW69	Chair	84	56	60	17.80 kg	2 pcs
Rely	HW71	Chair	84	51	60	5.68 kg	1 pc
Rely	HW72	Chair	84	51	60	6.48 kg	1 pc
Rely	HW73	Chair	84	51	60	6.18 kg	1 pc
Rely	HW74	Chair	84	51	60	7.28 kg	1 pc
Rely	HW75	Chair	84	51	60	7.28 kg	1 pc
Rely	HW76	Chair	85	62	62	7.04 kg	1 pc
Rely	HW77	Chair	85	62	62	8.24 kg	1 pc
Rely	HW78	Chair	85	62	62	7.74 kg	1 pc
Rely	HW79	Chair	85	62	62	7.98 kg	1 pc
Rely	HW80	Chair	85	62	62	7.98 kg	1 pc
Rely	HW81	Counter Stool	81	46	47	6.98 kg	1 pc
Rely	HW82	Counter Stool	81	46	47	7.73 kg	1 pc
Rely	HW83	Counter Stool	81	46	47	7.28 kg	1 pc
Rely	HW84	Counter Stool	81	46	47	7.93 kg	1 pc
Rely	HW85	Counter Stool	81	46	47	7.93 kg	1 pc
Rely	HW86	Bar Stool	91	46	47	7.22 kg	1 pc
Rely	HW87	Bar Stool	91	46	47	7.97 kg	1 pc
Rely	HW88	Bar Stool	91	46	47	7.52 kg	1 pc
Rely	HW89	Bar Stool	91	46	47	8.17 kg	1 pc

Packaging Information

Product	Product code	Category	Height cm	Width cm	Depth cm	Weight	Colli qty.
Rely	HW90	Bar Stool	91	46	47	8.17 kg	1 pc
Rely	HW91	Counter Chair	103	51	55	9.42 kg	1 pc
Rely	HW92	Counter Chair	103	51	55	10.22 kg	1 pc
Rely	HW93	Counter Chair	103	51	55	9.92 kg	1 pc
Rely	HW94	Counter Chair	103	51	55	11.02 kg	1 pc
Rely	HW95	Counter Chair	103	51	55	11.02 kg	1 pc
Rely	HW96	Bar Chair	113	51	55	9.74 kg	1 pc
Rely	HW97	Bar Chair	113	51	55	10.54 kg	1 pc
Rely	HW98	Bar Chair	113	51	55	10.24 kg	1 pc
Rely	HW99	Bar Chair	113	51	55	11.34 kg	1 pc
Rely	HW100	Bar Chair	113	51	55	11.34 kg	1 pc
Rely	HW118	Counter Stool	47	46	81	5.70 kg	1 pc
Rely	HW119	Counter Stool	47	46	81	6.50 kg	1 pc
Rely	HW120	Counter Stool	47	46	81	6.00 kg	1 pc
Rely	HW121	Counter Stool	47	46	81	6.70 kg	1 pc
Rely	HW122	Counter Stool	47	46	81	6.70 kg	1 pc
Rely	HW123	Bar Stool	47	46	91	5.90 kg	1 pc
Rely	HW124	Bar Stool	47	46	91	6.70 kg	1 pc
Rely	HW125	Bar Stool	47	46	91	6.30 kg	1 pc
Rely	HW126	Bar Stool	47	46	91	6.90 kg	1 pc
Rely	HW127	Bar Stool	47	46	91	6.90 kg	1 pc
Rely	HW128	Counter Chair	60	50	101	8.20 kg	1 pc
Rely	HW129	Counter Chair	60	50	101	9.00 kg	1 pc
Rely	HW130	Counter Chair	60	50	101	8.70 kg	1 pc
Rely	HW131	Counter Chair	60	50	101	9.80 kg	1 pc
Rely	HW132	Counter Chair	60	50	101	9.80 kg	1 pc
Rely	HW133	Bar Chair	60	50	111	8.40 kg	1 pc
Rely	HW134	Bar Chair	60	50	111	9.20 kg	1 pc
Rely	HW135	Bar Chair	60	50	111	8.90 kg	1 pc
Rely	HW136	Bar Chair	60	50	111	10.00 kg	1 pc
Rely	HW137	Bar Chair	60	50	111	10.00 kg	1 pc
Rely	HW101	Lounge Chair	77	62	62	6.42 kg	1 pc
Rely	HW102	Lounge Chair	77	62	62	7.62 kg	1 pc
Rely	HW103	Lounge Chair	77	62	62	7.12 kg	1 pc
Rely	HW104	Lounge Chair	77	62	62	7.36 kg	1 pc
Rely	HW105	Lounge Chair	77	62	62	7.36 kg	1 pc
Allwood	AV35	Chair	91	51	60	13.40 kg	2 pcs
Allwood	AV35	Stacking Trolley	57	76.2	54.8	13.40 kg	1 pc
Betty	TK1	Stackable Chair	86	52	52	9.95 kg	2 pcs
Betty	TK2	Stackable Chair	86	52	52	12.15 kg	2 pcs

Packaging Information

Product	Product code	Category	Height cm	Width cm	Depth cm	Weight	Colli qty.
Betty	TK3	Chair	86	53	52	13.15 kg	2 pcs
Betty	TK9	Chair	90	50	62.5	11.20 kg	2 pcs
Betty	TK10	Chair	90	50	62.5	11.20 kg	2 pcs
Betty	TK11	Chair	90	50	62.5	14.50 kg	2 pcs
Betty	TK4	Bench	8	108	38	7.40 kg	1 pc
Betty	TK5	Bench	8	159	38	9.80 kg	1 pc
Betty	TK7	Stool	70	42	42	4.90 kg	1 pc
Betty	TK8	Stool	80	42	42	4.90 kg	1 pc
Betty	TK12	Counter Chair	95.3	49.4	46.8	6.50 kg	1 pc
Betty	TK13	Counter Chair	95.3	49.4	46.8	6.50 kg	1 pc
Betty	TK14	Counter Chair	95.3	49.4	46.8	7.50 kg	1 pc
Betty	TK15	Bar Chair	105.3	49.4	46.8	7.55 kg	1 pc
Betty	TK16	Bar Chair	105.3	49.4	46.8	7.55 kg	1 pc
Betty	TK17	Bar Chair	105.3	49.4	46.8	8.55 kg	1 pc
Daystak	RD1	Chair	93.2	52.5	51.4	4.60 kg	2 pcs
Drawn	HM3	Chair	78	46	49	6.50 kg	1 pc
Drawn	HM4	Chair	78	46	54	8.70 kg	1 pc
RFH	RD7	Armchair	82	60.5	55.5	12.00 kg	1 pc
RFH	RD8	Lounge Chair	75	70	90	23.00 kg	1 pc
Kape	IF7	Side Chair	81	48	53	13.00 kg	1 pc
Massif	AV39	Counter Stool	31	43	43	10.00 kg	1 pc
Massif	AV40	Bar Stool	40	45	45	11.30 kg	1 pc
Wire stool	VP11	Stool	47	46	46	3.80 kg	1 pc
Wire stool Seat pad	VP11	Seat Pad	4.5	38	38	0.60 kg	1 pc
Wire stool Trolley	VP11	Stacking Trolley	14	57	54	3.06 kg	1 pc
Wire stool Table Top	VP11	Table Top	47	45	7	06:05 kg	1 pc
Ita	OS5	Bench	17	174	45.4	36.40 kg	1 pc
Ita	OS5	Bench, Seat Pad	2.5	170	28	2.10 kg	1 pc
Ita	OS6	Bench	17	234	45.4	46.80 kg	1 pc
Ita	OS6	Bench, Seat Pad	2.5	230	28	2.70 kg	1 pc
Boomerang	HM1	Lounge Chair	80	61	69	11.80 kg	1 pc
Boomerang	HM2	Lounge Chair	80	69	69	13.8 kg	1 pc
Boomerang	HM1 / HM2	Lounge Chair Cushion	11	58	58	3.10 kg	1 pc
X chair	HM10	Lounge Chair	80	81	69	14.15 kg	1 pc
AX chair	HM11	Lounge Chair	80	67	80	11.34 kg	1 pc
Little Petra	VB1	Lounge Chair	88	88	88	27.20 kg	1 pc
Little Petra	VB2	Sofa	85	150	78	43.10 kg	1 pc
Petra	VB3	Lounge Chair	110	85	95	35.76 kg	1 pc
Little Petra & Pouf	VB1 & ATD1	Lounge Chair & Pouf	80	88	88	32.30 kg	1 pc
Pouf	ATD1	Pouf	41	53	53	6.80 kg	1 pc

Packaging Information

Product	Product code	Category	Height cm	Width cm	Depth cm	Weight	Colli qty.
Wulff	ATD2	Lounge Chair	90	91	93	15.00 kg	1 pc
Wulff	ATD3	Pouf	42	55	60	8.50 kg	1 pc
Wulff	ATD2 & ATD3	Lounge Chair & Pouf	90	91	93	32.60 kg	1 pc
Margas	LC1	Lounge Chair	81	95	95	26.00 kg	1 pc
Margas	LC2	Lounge Chair	81	95	95	32.00 kg	1 pc
Margas	LC3	Sofa	81	165	95	38.00 kg	1 pc
Margas	LC4	Sofa	84	248	115	80.00 kg	1 pc
Margas	LC5	Pouf	46	84	59	17.50 kg	1 pc
Meantime	AV29	Lounge Chair	74	112	94	35.00 kg	1 pc
Meantime	AV30	Sofa	74	202	94	64.00 kg	1 pc
Meantime	AV31	Sofa	84	246	94	73.00 kg	1 pc
Muno	LN16	Lounge Chair	104	74	88	24.00 kg	1 pc
Muno	LN17	Lounge Chair	102	94	88	30.00 kg	1 pc
Muno	LN18	Lounge Chair	90	74	88	20.00 kg	1 pc
Muno	LN19	Lounge Chair	80	94	88	26.00 kg	1 pc
Muno	LN20	Lounge Chair	50	76	48	12.00 kg	1 pc
Loafer	SC24	Dining Chairs	80	65	65	33.20 kg	1 pc
Loafer	SC106	Dining Chairs	82	62	55	16.60 kg	1 pc
Loafer	SC23	Lounge Chair	80	75	75	31.50 kg	1 pc
Loafer	SC107	Lounge Chair	62	64	75	18.45 kg	1 pc
Loafer	SC25	Sofa	80	153	73	43.80 kg	1 pc
Loafer	SC26	Sofa	80	188	73	54.10 kg	1 pc
Mayor	AJ5	Sofa	80	211	73	82.00 kg	1 pc
Mayor	AJ6	Sofa	80	150	74	57.00 kg	1 pc
Cloud	LN1	Lounge Chair	75	89	108	63.80 kg	1 pc
Cloud	LN2	Sofa	75	90	179	83.95 kg	1 pc
Cloud	LN3.2	Sofa	76	90	228	102.40 kg	1 pc
Cloud High Back	LN5	Lounge Chair	120	109	90	73.80 kg	1 pc
Cloud High Back	LN6	Sofa	120	179	90	98.25 kg	1 pc
Cloud High Back	LN7	Sofa	120	229	90	118.70 kg	1 pc
Inland	AV22	Sofa	69	102	182	78.10 kg	1 pc
Inland	AV23	Sofa	69	104	231	92.00 kg	1 pc
Inland	AV21	Lounge Chair	73	104	97	66.00 kg	1 pc
Inland	AV41	Corner Module	72	106	100	56.00 kg	1 pc
Inland	AV41	Open End Module	72	104	231	98.00 kg	2 pcs/2 boxes
Inland	AV42	Chaise Longue Module	72	102	182	82.00 kg	1 pc
Inland	AV42	Open End Module	72	104	231	98.00 kg	1 pc
Inland	AV32	Pouf	43	109	82	46.00 kg	1 pc
Develius	EV5	Modular Sofa	50	80	17	6.05 kg	1 pc
Develius	EV6	Modular Sofa	50	50	15	3.10 kg	1 pc

Packaging Information

Product	Product code	Category	Height cm	Width cm	Depth cm	Weight	Colli qty.
Develius	EV7	Modular Sofa	35	50	13	1.70 kg	1 pc
Develius	EV1A	Modular Sofa	74	114	93	57.10 kg	1 pc
Develius	EV1B	Modular Sofa	74	114	93	57.10 kg	1 pc
Develius	EV1C	Modular Sofa	74	94	94	42.35 kg	1 pc
Develius	EV1D	Modular Sofa	74	94	94	42.35	1 pc
Develius	EV1E	Modular Sofa	46	93	93	31.50 kg	1 pc
Develius	EV1F	Modular Sofa	74	114	93	57.10 kg	1 pc
Develius	EV1G	Modular Sofa	74	114	93	57.10 kg	1 pc
Develius	EV1H	Modular Sofa	74	115	155	79.40 kg	1 pc
Develius	EV1I	Modular Sofa	74	115	155	79.40 kg	1 pc
Develius	EV1J	Modular Sofa	74	114	93	57.10 kg	1 pc
Develius	EV1K	Modular Sofa	74	114	93	57.10 kg	1 pc
Develius	EV2A	Modular Sofa	74	135	112	71.70 kg	1 pc
Develius	EV2B	Modular Sofa	74	135	112	71.70 kg	1 pc
Develius	EV2C	Modular Sofa	74	115	115	64.90 kg	1 pc
Develius	EV2D	Modular Sofa	74	115	115	65.90 kg	1 pc
Develius	EV2E	Modular Sofa	46	114	112	38.90 kg	1 pc
Develius	EV2F	Modular Sofa	74	135	112	65.70 kg	1 pc
Develius	EV2G	Modular Sofa	74	135	112	65.70 kg	1 pc
Develius	EV2J	Modular Sofa	74	135	112	71.70 kg	1 pc
Develius	EV2K	Modular Sofa	74	135	112	71.70 kg	1 pc
Develius Mellow	EV8A	Modular Sofa	74	114	93	57.10 kg	1 pc
Develius Mellow	EV8B	Modular Sofa	74	114	93	57.10 kg	1 pc
Develius Mellow	EV8C	Modular Sofa	74	94	94	42.35 kg	1 pc
Develius Mellow	EV8D	Modular Sofa	74	94	94	42.35 kg	1 pc
Develius Mellow	EV8E	Modular Sofa	46	93	93	31.50 kg	1 pc
Develius Mellow	EV8F	Modular Sofa	74	114	93	57.10 kg	1 pc
Develius Mellow	EV8G	Modular Sofa	74	114	93	57.10 kg	1 pc
Develius Mellow	EV8H	Modular Sofa	74	115	155	79.40 kg	1 pc
Develius Mellow	EV8I	Modular Sofa	74	115	155	79.40 kg	1 pc
Develius Mellow	EV8J	Modular Sofa	74	114	93	57.10 kg	1 pc
Develius Mellow	EV8K	Modular Sofa	74	114	93	57.10 kg	1 pc
Hi Lo	AV54	Modular Sofa	88	119	119	46.00 kg	1 pc
Hi Lo	AV55	Modular Sofa	88	119	119	57.00 kg	1 pc
Isole	NN1A	Modular Sofa	26.5	66.5	66.5	9.50 kg	1 pc
Isole	NN1B	Modular Sofa	22.5	61.5	67.5	8.30 kg	1 pc
Isole	NN1C	Modular Sofa	22.5	46.6	68	6.90 kg	1 pc
Isole	NN1D	Modular Sofa	3	31	31	1.50 kg	1 pc
Isole	NN1E	Modular Sofa	3	21	65.5	2.35 kg	1 pc
Isole	NN1F	Modular Sofa	3	66	66	7.70 kg	1 pc

Packaging Information

Product	Product code	Category	Height cm	Width cm	Depth cm	Weight	Colli qty.
Isole	NN1G	Modular Sofa	7	4	4	0.50 kg	1 pc
Fly	SC10	Lounge Chair	53	75	75	28.80 kg	1 pc
Fly	SC1	Lounge Chair	53	91	84	35.10 kg	1 pc
Fly	SC2	Sofa	53	166	84.5	63.80 kg	1 pc
Fly	SC3	Sofa	53	240.5	84.5	77.25 kg	1 pc
Fly	SC12	Sofa	53	240.5	84.5	76.75 kg	1 pc
Fly	SC9	Pouf Base	11	85	96	14.60 kg	1 pc
Fly	SC9	Pouf Cushion	20	80	80	8.00 kg	1 pc
Fly	SC4	Table Top	8	88	88	41.90 kg	1 pc
Fly	SC4	Table Base	11	85	96	14.60 kg	1 pc
Fly	SC5	Table Top	8	67	128	59.90 kg	1 pc
Fly	SC5	Table Base	7	75	126	15.90 kg	1 pc
Fly	SC11	Table Top	15	136	136	92.90 kg	1 pc
Fly	SC11	Table Base	9	125	135	48.00 kg	1 pc
Sett	LN11	Sett Frame	13.5	19	55.5	4.00 kg	1 pc
Sett	LN11	Sett Marble Table Top	8	48	48	11.00 kg	1 pc
Sett	LN11	Sett Glass Table Top	8	48	48	13.00 kg	1 pc
Sett	LN12	Sett Frame	13.5	19	136.5	7.10 kg	1 pc
Sett	LN12	Sett Marble Table Top	8	148	68	56.00 kg	1 pc
Sett	LN12	Sett Glass Table Top	8	148	68	65.00 kg	1 pc
Sett	LN13	Sett Frame	13.5	19	96.5	6.70 kg	1 pc
Sett	LN13	Sett Marble Table Top	8	108	108	66.00 kg	1 pc
Sett	LN13	Sett Glass Table Top	8	108	108	78.00 kg	1 pc
In Between	SK3/SK11	Table Top	4.5	92	92	19.95 kg	1 pc
In Between	SK11	Table Top - Marble	8	100	100	61.00 kg	1 pc
In Between	SK3	Table Legs	25.5	81	23	8.60 kg	1 pc
In Between Center Base	SK11	Support	60	60	5	8.30 kg	1 pc
In Between Center Base	SK11	Column	75	19	19	8.00 kg	1 pc
In Between Center Base	SK11	Base	60	60	5	20.00 kg	1 pc
In Between	SK4/SK12	Table Top	4.5	122.5	120	37.50 kg	1 pc
In Between	SK12	Table Top - Marble	8	130	130	104.00 kg	1 pc
In Between	SK4	Table Legs	25.5	81	23	10.10 kg	1 pc
In Between Center Base	SK12	Support	5	75	75	16.00 kg	1 pc
In Between Center Base	SK12	Column	75	19	19	8.00 kg	1 pc
In Between Center Base	SK12	Base	5	75	75	24.00 kg	1 pc
In Between	SK23	Lounge Table	7	65	125	11.3 kg	1 pc
In Between	SK24	Lounge Table	7	105	105	16.8 kg	1 pc
In Between	SK5	Table Top	10	100	215	50.00 kg	1 pc
In Between	SK5	Table Legs	20	78	87	13.00 kg	1 pc

Packaging Information

Product	Product code	Category	Height cm	Width cm	Depth cm	Weight	Colli qty.
In Between	SK6	Table Top	10	110	265	67.80 kg	1 pc
In Between	SK6	Table Legs	20	78	97	13.50 kg	1 pc
In Between	SK13	Lounge Table	7	63	63	5.05 kg	1 pc
In Between	SK14	Lounge Table	7	75	75	7.15 kg	1 pc
In Between	SK15	Lounge Table	7	105	105	15.35 kg	1 pc
In Between	SK16	Table Top - Marble	8	80	70	40.00 kg	1 pc
In Between	SK16, SK21	Table Top - Fenix	5	64	74	15.00 kg	1 pc
In Between	SK17, SK22	Table Top - Fenix	5	64	64	14.00 kg	1 pc
In Between	SK20	Table Top - Marble	8	160	160	160.00 kg	1 pc
In Between	SK16, SK17, SK21, SK22	Support	5	50	50	6.20 kg	1 pc
In Between	SK18	Support	5	60	60	9.00 kg	1 pc
In Between	SK19 & SK20	Support	5	75	75	14.90 kg	1 pc
In Between	SK16 & SK17	Column	10	75	10	1.70 kg	1 pc
In Between	SK18	Column	15	76	15	5.50 kg	1 pc
In Between	SK19 & SK20	Column	18	76	18	6.00 kg	1 pc
In Between	SK21 & SK22	Column	5	105	10	2.50 kg	1 pc
In Between	SK16, SK17, SK21, SK22	Base	5	50	50	12.50 kg	1 pc
In Between	SK18	Base	5	60	60	18.40 kg	1 pc
In Between	SK19 & SK20	Base	5	75	75	29.70 kg	1 pc
In Between	SK25	Counter Table	21	195	61	36.40 kg	1 pc
In Between	SK26	Counter Table	21	195	91	52.90 kg	1 pc
In Between	SK27	Bar Table	21	195	61	36.80 kg	1 pc
In Between	SK28	Bar Table	21	195	91	53.30 kg	1 pc
Patch	HW1	ExtEndable Table	14	97	187	90.25 kg	1 pc
Patch	HW2	ExtEndable Table	14	107	247	110.70 kg	1 pc
Drip	HW115	Table Top	8	90.8	151.4	27.50 kg	1 pc
Drip	HW115	Table Frame	16	230	16	13.30 kg	1 pc
Drip	HW116	Table Top	8	90.8	201.3	34.00 kg	1 pc
Drip	HW116	Table Frame	16	230	16	13.70 kg	1 pc
Drip	HW117	Table Top	8	111.3	261.3	53.00 kg	1 pc
Drip	HW117	Table Frame	16	255	16	16.00 kg	1 pc
Drip	HW58	Table Top	7	84	144	19.9 kg	1 pc
Drip	HW58	Legs	8	234	26	12.3 kg	1 pc
Drip	HW59	Table Top	7	84	194	23.2 kg	1 pc
Drip	HW59	Legs	8	234	26	13.7 kg	1 pc
Drip	HW60	Table Top	7	104	250	39.4 kg	1 pc
Drip	HW60	Legs	8	234	26	16 kg	1 pc
Drip	HW61	Table Top	7	54	194	13.9 kg	1 pc
Drip	HW61	Legs	16	184	27	19.9 kg	1 pc

Packaging Information

Product	Product code	Category	Height cm	Width cm	Depth cm	Weight	Colli qty.
Drip	HW62	Table Top	7	84	194	23.2 kg	1 pc
Drip	HW62	Legs	16	184	27	21.7 kg	1 pc
Drip	HW63	Table Top	7	54	194	13.9 kg	1 pc
Drip	HW63	Legs	16	184	27	20.2 kg	1 pc
Drip	HW64	Table Top	7	84	194	23.2 kg	1 pc
Drip	HW64	Legs	16	184	27	22 kg	1 pc
Drip	HW111	Table Top	7	54	144	10.3 kg	1 pc
Drip	HW111	Legs	16	184	27	17.8 kg	1 pc
Drip	HW112	Table Top	7	54	144	16.9 kg	1 pc
Drip	HW112	Legs	16	184	27	19.8 kg	1 pc
Drip	HW113	Table Top	7	54	144	10.3 kg	1 pc
Drip	HW113	Legs	16	184	27	18.3 kg	1 pc
Drip	HW114	Table Top	7	84	144	16.9 kg	1 pc
Drip	HW114	Legs	16	184	27	19.9 kg	1 pc
Ita	OS1	Dining Table	18.6	204.8	99.4	69.70 kg	1 pc
Ita	OS2	Dining Table	18.6	268.4	99.4	84.40 kg	1 pc
Ita	OS3	Coffee Table	23.6	114	54.2	23.50 kg	1 pc
Ita	OS4	Coffee Table	30.8	114	57.6	38.30 kg	1 pc
Pavilion	AV16	Table Top + Stretcher	8	75	145	21.1 kg	1 pc
Pavilion	AV16	Frame	11	66	82	11.1 kg	1 pc
Pavilion	AV17	Table Top + Stretcher	19	75	145	22.1 kg	1 pc
Pavilion	AV17	Frame	11	66	82	11.1 kg	1 pc
Pavilion	AV18	Table	7.2	166	96	33.6 kg	1 pc
Pavilion	AV19	Table	7.2	206	96	44.0 kg	1 pc
Pavilion	AV24	Table	7.2	256	116	53.60 kg	1 pc
Daystak	RD2	Table	13	85	134	23.80 kg	1 pc
Daystak	RD3	Desk	13	85	134	23.80 kg	1 pc
Daystak	RD3	Drawer unit	31	51	51	15.14 kg	1 pc
Drop Leaf	HM5	Side Table	15	85	86	17.95 kg	1 pc
Drop Leaf	HM6	Dining Table	53	142	163	51.60 kg	1 pc
Pinwheel	HM7	Table	5	71	79	6.55 kg	1 pc
X	HM13	Coffee Table	12.5	133	71.5	18.70 kg	1 pc
Lato	LN8	Lounge Table Top	9	44	42	5.40 kg	1 pc
Lato	LN8	Wood Table Top	10	70	50	4.20 kg	1 pc
Lato	LN9	Lounge Table Top	9	54	42	6.20 kg	1 pc
Lato	LN9	Wood Table Top	10	70	50	4.20 kg	1 pc
Lato	LN8 & LN9	Side Table Base	30	30	30	16.00 kg	1 pc
Tung	JA3	Side Table	54.5	41	41	13.42 kg	1 pc
Palette	JH7	Lounge Table	50	70	126	28.40 kg	1 pc

Packaging Information

Product	Product code	Category	Height cm	Width cm	Depth cm	Weight	Colli qty.
Palette	JH9	Desk	88	145	67	32.25 kg	1 pc
Palette	JH25	Lounge Table	48	107	120	49.50 kg	1 pc
Shuffle	MH1	Table	20	79	48	14.70 kg	1 pc
Halten	SH9	Table Warm Black Frame	56.5	40.5	46.5	4.56 kg	1 pc
Halten	SH9	Table Warm Black Frame	56.5	40.5	46.5	4.52 kg	1 pc
Halten	SH9	Table Marble Top	6.5	41	39	3.17 kg	1 pc
Halten	SH9	Table Glass Top	6.5	41	39	2.92 kg	1 pc
Develius	EV3	Coffee Table	40	92	92	62.00 kg	1 pc
Alima Trolley	NDS1	Trolley	63	97	46	14.50 kg	1 pc
Alima Tray	NDS1	Trolley Tray	5	51	48.5	2.80 kg	1 pc
Guild	HM14	Shelving	14	87	35.5	6.90 kg	1 pc
Guild	HM15	Shelving	14	132	39.5	7.70 kg	1 pc
Rotate	SC73	Trolley	64	39	39	18.40 kg	1 pc
Archivo	JH43	Column (3 pcs)	40	30	39	7.00 kg	1 pc
Archivo	JH43	Feet (2 pcs)	40	32	13	2.50 kg	1 pc
Archivo	JH43	Shelf (2 pcs)	158	57	9	25.80 kg	1 pc
Archivo	JH44	Column (6 pcs)	43	42	32	13.70 kg	1 pc
Archivo	JH44	Column (1 pc)	43	42	13	2.60 kg	1 pc
Archivo	JH44	Feet (2 pcs)	40	32	13	2.50 kg	1 pc
Archivo	JH44	Shelf (1 pc)	158	57	5	13.50 kg	1 pc
Archivo	JH44	Shelf (2 pcs)	158	57	9	25.80 kg	1 pc
Archivo	JH45	Column (6 pcs)	43	42	32	13.70 kg	1 pc
Archivo	JH45	Feet (2 pcs)	40	32	13	2.50 kg	1 pc
Archivo	JH45	Shelf (2 pcs)	158	57	9	25.80 kg	1 pc
Archivo	JH45	Shelf (3 pcs)	158	57	13	37.70 kg	1 pc
Rombe	IF1, IF2, IF3, IF4, IF5, IF6	Top support	4.9	39.7	7.9	0.5 kg	1 pc
Rombe	IF1, IF2, IF3, IF4, IF5, IF6	Upright	223.6	6.3	6.2	3.50 kg	1 pc
Rombe	IF1, IF2, IF3, IF4, IF5, IF6	Steel Shelf	13.8	84.4	34.2	5.35 kg	1 pc
Rombe	IF1, IF2, IF3, IF4, IF5, IF6	Steel Shelf w. bushing	13.8	84.4	34.2	6.20 kg	1 pc
Rombe	IF1, IF2, IF3, IF4, IF5, IF6	Wood Shelf	4.3	81.6	35	5.10 kg	1 pc
Rombe	IF1, IF2, IF3, IF4, IF5, IF6	Wood Shelf	4.3	81.6	35	6.10 kg	1 pc
Rombe	IF2, IF5	Wood Desk	4.3	81.6	35	8.00 kg	1 pc
Rombe	IF3, IF6	Wood Cabinet	8.2	83.6	45.4	16.75 kg	1 pc
Rombe	IF3, IF6	Cabinet Steel Shelf	25.3	83.1	23.7	5.35 kg	1 pc
Thorvald	SC94	Outdoor Side Chair	88.5	66	55.5	17.30 kg	2 pcs
Thorvald	SC95	Outdoor Armchair	88.5	66	65	20.60 kg	2 pcs
Thorvald	SC94/SC95	Outdoor Cushion	3	42	84	0.60 kg	1 pc
Thorvald	SC94	Outdoor Side Chair	88.5	66	55.5	17.30 kg	2 pcs
Thorvald	SC95	Outdoor Armchair	88.5	66	65	20.60 kg	2 pcs

Packaging Information

Product	Product code	Category	Height cm	Width cm	Depth cm	Weight	Colli qty.
Thorvald	SC94/SC95	Outdoor Cushion	3	42	84	0.60 kg	1 pc
Thorvald	SC94/SC95	Outdoor Seat Pad	3	42	42	0.30 kg	1 pc
Thorvald	SC111	Outdoor Dining Bench	82.5	82.5	65	23 kg	1 pc
Thorvald	SC111	Outdoor Cushion	7	130	50	2.85 kg	1 pc
Thorvald	SC111	Outdoor Seat Pad	3.5	121.5	43	21.50 kg	1 pc
Thorvald	SC96	Outdoor Café Table Top	5.5	76	76	7.80 kg	1 pc
Thorvald	SC96/SC97	Outdoor Café Table Frame	8.5	81	66.5	9.40 kg	1 pc
Thorvald	SC97	Outdoor Café Table Top	5.5	79	79	10.50 kg	1 pc
Thorvald	SC98	Outdoor Dining Table Top	5.5	123.5	122	19.10 kg	1 pc
Thorvald	SC98	Outdoor Dining Table Frame	21	100.5	87	17.00 kg	1 pc
Thorvald	SC113	Outdoor Dining Table	10.5	171.5	97.5	46.00 kg	1 pc
Thorvald	SC99	Outdoor Dining Table	231.5	97.5	10.5	58.70 kg	1 pc
Thorvald	SC102	Outdoor Side Table	51.5	45	45	6.10 kg	1 pc
Thorvald	SC108	Outdoor Coffee table	41	73	73	10.80 kg	1 pc
Thorvald	SC109	Outdoor Coffee table	20.5	87	100.5	12.70 kg	1 pc
Thorvald	SC100	Outdoor Lounge Chair	65	82.5	82.5	21.00 kg	1 pc
Thorvald	SC101	Outdoor Lounge Armchair	74	82.5	82.5	24.20 kg	1 pc
Thorvald	SC100/SC101	Outdoor Cushion	3	53	97	0.70 kg	1 pc
Thorvald	SC100/SC101	Outdoor Seat Pad	3	53	53	0.35 kg	1 pc
Thorvald	SC110	Outdoor Lounge Sofa	81.5	146	81	27.10 kg	1 pc
Thorvald	SC110	Outdoor Cushion	7	130	58	3.40 kg	1 pc
Thorvald	SC110	Outdoor Seat Pad	3.5	124	50.5	2.70 kg	1 pc
Thorvald	SC112	Outdoor Bench	51	130	49.5	15.60 kg	1 pc
Thorvald	SC112	Outdoor Seat Pad	3.5	118	39.5	2.20 kg	1 pc
Ville	AV33	Outdoor Chair	54.5	62	91	20.20 kg	2 pcs
Ville	AV34	Outdoor Chair	69	62	91	23.40 kg	2 pcs
Ville	AV33/AV34	Outdoor Cushion	3	45.5	80	0.50 kg	1 pc
Ville	AV44	Outdoor Lounge Chair	62.5	74	84	23.80 kg	2 pcs
Ville	AV45	Outdoor Lounge Chair with Arms	77	74	84.5	25.50 kg	2 pcs
Ville	AV44/AV45	Outdoor Lounge Chair, Cushion	2	53	108	0.73 kg	1 pc
Ville	AV46	Outdoor FootStool	18.5	40	70	7.80 kg	1 pc
Ville	AV46	Outdoor FootStool, Seat Pad	2	59	29	0.20 kg	1 pc
Ville	AV27	Outdoor Bench	128.5	50	16	18.00 kg	1 pc
Ville	AV28	Outdoor Bench	198.5	50	16	25.85 kg	1 pc
Ville	AV27	Outdoor Cushion	3	110	40	0.50 kg	1 pc
Ville	AV28	Outdoor Cushion	3	180	40	0.65 kg	1 pc
Ville	AV47	Outdoor Stool	54	48.5	19.5	11.00 kg	1 pc
Ville	AV47	Outdoor Stool, Cushion	2	39.5	40	0.22 kg	1 pc
Ville	AV25	Outdoor Table	168.5	100	16	42.00 kg	1 pc

Packaging Information

Product	Product code	Category	Height cm	Width cm	Depth cm	Weight	Colli qty.
Ville	AV26	Outdoor Table	238.5	100	16	56.58 kg	1 pc
Ville	AV50	Outdoor Coffee Table	15	101	110	29.00 kg	1 pc
RFH	RD4	Outdoor Chair	93	57.5	60.5	17.80 kg	1 pc
RFH	RD4	Outdoor Cushion	45	44	7	0.56 kg	1 pc
RFH	RD4	Outdoor Seat Pad	3	43	44	0.30 kg	1 pc
RFH	RD5	Outdoor Table Top	5	80	79	9.80 kg	1 pc
RFH	RD5	Outdoor Legs	38.5	43	75	11.85 kg	1 pc
RFH	RD6	Outdoor Table Top	5	102	101	16.30 kg	1 pc
RFH	RD6	Outdoor Legs	38.5	43	75	11.85 kg	1 pc
Rely	HW138	Outdoor Side Chair	60.5	91.5	60.6	7.10 kg	1 pc

Packaging Information

Product	Product code	Category	Height cm	Width cm	Depth cm	Weight	Colli qty.
Collect Weave	SC28	Cushion	10	50	50	1.00 kg	1 pc
Collect Weave	SC48	Cushion	10	60	40	1.00 kg	1 pc
Collect Soft Boucle	SC28	Cushion	10	50	50	1.00 kg	1 pc
Collect Soft Boucle	SC48	Cushion	10	60	40	1.00 kg	1 pc
Collect Cotton Throw	SC32	Throw	8	43	46	1.10 kg	1 pc
Collect Cotton Throw	SC33	Throw	11	42	58	2.15 kg	1 pc
Collect Woolen Throw	SC34	Throw	7	32	45	0.85 kg	1 pc
Collect Throw	SC81	Throw	8	46	43	1.10 kg	1 pc
Collect Plate	SC55	Plate	14	62	62	14.80 kg	1 pc
Collect Candleholder	SC57	Candleholder	12	5	5	0.45 kg	4 pcs
Collect Candleholder	SC58	Candleholder	14	5	5	0.47 kg	4 pcs
Collect Candleholder	SC59	Candleholder	21	5	5	0.51 kg	4 pcs
Collect Glass	SC60	Glass	11	13	7	1.40 kg	4 pcs
Collect Glass	SC61	Glass	13	17	9	0.30 kg	4 pcs
Collect Carafe	SC62	Carafe	27	9	9	0.40 kg	2 pcs
Collect Carafe	SC63	Carafe	30	10	10	0.50 kg	2 pcs
Collect Tray	SC64	Tray	3	29	42	0.87 kg	1 pc
Collect Tray	SC65	Tray	3	39	56	1.20 kg	1 pc
Collect Bowl	SC82	Bowl	23	33.5	17	2.00 kg	1 pc
Collect Wine glass	SC79	Wine Glass	16	40	21.5	2.20 kg	2 pcs
Collect Wine glass	SC80	Wine Glass	21.5	38.5	20.5	2.20 kg	2 pcs
Collect Glass	SC78	Glass	8.5	16.8	8.4	0.28 kg	2 pcs
Collect Hurricane	SC83	Lantern	29	29	60	9.11 kg	1 pc
Collect Rug	SC84	Rug	170	17	17	13.87 kg	1 pc
Collect Rug	SC85	Rug	200	20	20	22.2 kg	1 pc
Momento Jug	JH38	Jug	25.5	38.5	46.5	6.95 kg	6 pcs
Momento Candleholder	JH39	Candleholder	22	16	32	1.66 kg	4 pcs
Momento Vase	JH40	Vase	32	27	40	2.3 kg	2 pcs
Momento Vase	JH41	Vase	72	24	38	2.8 kg	2 pcs
Momento Vase	JH47	Vase	28.3	17.3	17.3	1.32 kg	2 pcs
Momento I Throw	JH46	Throw	8.5	29.5	39	1.12 kg	1 pc
Capture	SC74	Hook	6	30	23	0.83 kg	1 pc
Capture	SC76	Hanger	6	29	67	2.90 kg	1 pc
Capture	SC77	Coat Stand	14	41	189	8.50 kg	1 pc
Cruise	AP11	Rug	250	30	30	24.50 kg	1 pc
Cruise	AP12	Rug	210	30	30	25.00 kg	1 pc
Cruise	AP23	Rug	21	21	175	18.50 kg	1 pc
The Moor	AP5	Rug	180	30	30	16.25 kg	1 pc
The Moor	AP6	Rug	250	30	30	33.15 kg	1 pc
The Moor	AP18	Rug	21	21	171	14.00 kg	1 pc

Packaging Information

Product	Product code	Category	Height cm	Width cm	Depth cm	Weight	Colli qty.
The Moor	AP19	Rug	26	26	202	21.00 kg	1 pc
The Moor	AP7	Rug	210	30	30	32.00 kg	1 pc
The Moor	AP8	Rug	310	30	30	38.90 kg	1 pc
Amore	SC49	Mirror	122	122	13	47.50 kg	1 pc
Amore	SC50	Mirror	197	67	13	49.50 kg	1 pc
Amore	SC56	Mirror	80	80	8	12.5kg	1 pc
Sillon	SH4	Mirror	9	54	54	5.40 kg	1 pc
Sillon	SH5	Mirror	9	74	74	9.30 kg	1 pc
Sillon	SH7	Mirror	11	71	201	55.90 kg	1 pc
Votive	AV20	Candleholder	8	18.5	24	0.88 kg	1 pc

Packaging Information

Product	Product code	Category	Height cm	Width cm	Depth cm	Weight	Colli qty.
Colette	ATD6	Table Lamp	18	40	54	3.00 kg	1 pc
Flowerpot	VP10	Pendant	20.5	20.5	15.7	0.98 kg	2 pcs
Flowerpot	VP1	Pendant	15	24.5	25	1.45 kg	2 pcs
Flowerpot	VP7	Pendant	45	45	28	3.95 kg	1 pc
Flowerpot	VP2	Pendant	31	53	53	5.00 kg	1 pc
Flowerpot	VP3	Table Lamp	45	29	26	4.80 kg	1 pc
Flowerpot	VP4	Table Lamp	40	25.5	25.5	1.85 kg	1 pc
Flowerpot	VP8	Wall Lamp	26	40	28	1.72 kg	1 pc
Flowerpot	VP9	Portable Lamp	36	42	33	3.90 kg	2 pcs
Flowerpot	VP12	Floor Lamp	28	128	39	11.00 kg	1 pc
Topan	VP6	Pendant	28.5	45.5	23.5	2.14 kg	2 pcs
Topan	VP13 - Shade	Table Lamp	28	23	23	1.40 kg	1 pc
Topan	VP13 - Base	Table Lamp	16.6	21.8	21.8	0.60 kg	1 pc
Topan	VP14 - Shade	Floor Lamp	28	23	23	1.40 kg	1 pc
Topan	VP14 - Base	Floor Lamp	31.6	21.8	21.8	1.05 kg	1 pc
Utzon Lamp	JU1	Pendant	25.5	24.5	24.5	1.60 kg	1 pc
Herman	SHY3-Shade	Table Lamp	18	32	32	1.9 kg	2 pcs
Herman	SHY3-Base	Table Lamp	20	21	34	2.3 kg	2 pcs
Mist	AP15	Pendant	33	33	23	2 kg	2 pcs
Mist	AP16	Pendant	45	45	30	2 kg	2 pcs
Mist	AP17-Shade	Table Lamp	35	48	48	4.2 kg	1 pc
Mist	AP17-Base	Table Lamp	35	18	18	8.3 kg	1 pc
Mist	AP20-Shade	Pendant	44	70	70	11.27 kg	1 pc
Mist	AP20-Fixture	Pendant	19.5	18	19.5	0.15 kg	1 pc
Mist	AP22	Wall Lamp	44.5	33.5	33.5	1.97 kg	1 pc
Lucca	SC51	Outdoor Portable Lamp	37	46	27	3.50 kg	2 pcs
Manhattan	SC52	Portable Lamp	33	18	18	1.25 kg	1 pc
Como	SC53	Portable Lamp	29	21	21	1.00 kg	1 pc
Caret	MF1	Portable Lamp	31	17.5	17.5	1.34 kg	2 pcs
Raku	SH8 - Brass	Portable Lamp	31	45	21	1.4 kg	2 pcs
Raku	SH8 - Bronzed	Portable Lamp	31	45	21	1.2 kg	2 pcs
Setago	JH27	Portable Lamp	23.5	46	30	4.00 kg	2 pcs
Pivot	ATD7	Portable Lamp	15	25	21	2 kg	2 pcs

General Terms & Conditions for Sales (B2B)

These general terms and conditions for sales ("GTCs") shall govern all purchase orders ("Order" or "Orders") placed with &Tradition A/S, CVR-nr. 18169304, Fredericiagade 21, 1310 Copenhagen K, Denmark ("&Tradition"), unless otherwise explicitly agreed in writing between the buyer ("Buyer") and &Tradition.

1. Prices

1.1. All prices in the price list are recommended resale prices.

1.2. &Tradition may, without prior notice and with immediate effect, change the recommended resale prices, net prices, and/or discount structures.

2. Quotations

2.1. Any quotation given by &Tradition will be valid 60 days from the date of issuance, unless otherwise stated.

3. Order Handling and Confirmation

3.1. Orders must be sent to info@andtradition.com or to the Buyer's assigned sales representative.

3.2. Orders shall not be binding on &Tradition until the Buyer has received &Tradition's written order confirmation.

3.3. The Buyer must review the order confirmation immediately upon receipt thereof and report any errors within 24 hours to &Tradition on info@andtradition.com or +45 3920 0233.

4. Changes and Cancellations of Orders

4.1. Orders can be changed or cancelled in accordance with below rules:

4.2. Stock products (standard collection)

4.2.1. For stock products, the Buyer may change or cancel the Order within 24 hours from receipt of the order confirmation. Changes or cancellations later than 24 hours are not possible.

4.3. Non-stock products (standard collection)

4.3.1. For non-stock products (standard collection), the Buyer may change or cancel the Order within 72 hours from receipt of the order confirmation.

4.4. Customized products

4.4.1. For customized products changes or cancellations are not possible.

4.5. If &Tradition, at its sole discretion, accepts a cancellation request in writing after the above-mentioned deadlines, the Buyer shall be subject to a cancellation fee determined by &Tradition.

5. Terms of Payment

5.1. Payment is 14 days net from invoice date.

5.2. Conditions of payment and payment procedures are stated in the order confirmation and invoice.

5.3. &Tradition reserves the right at any time to demand full or partial advance payment on Orders.

5.4. In case of late payment, interest will be charged at a rate of 1.5% per month or part thereof as of the due date.

5.5. Furthermore, &Tradition reserves the right to suspend a Buyer's account if the Buyer's balance is due, in which event no Orders or deliveries to the Buyer will be processed.

6. Reservation of Title

6.1. Delivered products remain the property of &Tradition and &Tradition will retain full title over the delivered products until the full invoiced amount including delivery charges as well as interest payable in arrears is fully paid. The Buyer shall be obliged to clearly mark the delivered products as being the property of &Tradition until full pay-

ment has been made.

6.2. Additional and specific terms on retention of title applicable to the Order may be set out in the quotation, order confirmation, delivery note and/or invoice.

7. Terms of Delivery

7.1. The shipment date of the Order will be stated on the order confirmation.

7.2. If the Order cannot be shipped in accordance with the stated delivery date, &Tradition will inform the Buyer without undue delay and inform the new shipment date and send an updated order confirmation to the Buyer. Only if the delay exceeds 3 months and is not due to force majeure, the Buyer is entitled to cancel the Order. The Buyer is not entitled to make further claims against &Tradition in cases of delay.

7.3. The lead times as stated in &Tradition's price list in force from time to time can only be used as indicative.

8. Delivery Costs

8.1. Delivery costs for the Order will be stated in the order confirmation.

8.2. Delivery costs are calculated on basis of the total Order amount and will be charged for each shipment.

9. Transportation

9.1. Standard Delivery

9.1.1. The standard delivery term is DAP (Incoterms 2020), and Orders will be shipped from &Tradition or its affiliated warehouses or directly from its suppliers. &Tradition will confirm on the order confirmation if DAP delivery is possible.

9.1.2. Delivery can only happen to shop or warehouse addresses during weekdays and normal working hours of the Buyer.

9.1.3. The Buyer must inform &Tradition of all relevant information related to the Buyer's ability to receive the Order, e.g. if the transportation must be carried out with a big or small lorry, with or without a fork lift, opening hours etc. Any failure to inform &Tradition thereof which consequently results in a failed delivery will be imposed a charge cf. 9.1.4.

9.1.4. In events where the Buyer needs a fixed delivery date and/or slot for the Order, redelivery due to failed delivery attempt of an Order, change of delivery address and/or change to Orders after the deadlines defined in these GTCs additional costs will be charged the Buyer.

9.1.5. A fixed delivery date and/or slot must be informed and accepted by &Tradition in advance of placing the Order and shall be considered agreed when stated in the order confirmation.

9.2. Non-standard Delivery

9.2.1. Where standard delivery is not possible or offered, the delivery term is EX-WORKS (Incoterms 2020) at a designated address, such to be accepted by &Tradition in advance.

9.2.2. EX-WORKS Orders will as standard be packed for SEA-freight. If the Buyer wishes the Order packed for AIR-freight, such must be informed and accepted by &Tradition in advance of placing the Order and shall be considered agreed when stated in the order confirmation.

9.2.3. The Order must be collected at the designated location as stated in the order confirmation no later than 30 days after the delivery date. Any delay in picking up the Order will be charged a fee per week of delay.

9.2.4. If the Order hasn't been collected within 60 days from the delivery date this will be deemed as if the Buyer has cancelled the Order, in which event the Buyer will be charged the total Order amount and other incurred costs related to the rearrangement of the packing and shipping of the Order.

General Terms & Conditions for Sales (B2B)

10. Inspection of Orders upon Delivery and Claims

10.1. The Buyer is obliged to inspect the Order upon delivery and check that the number of packages corresponds with the delivery note and that the packaging and products are free from visual defects.

10.2. If a delivery does not comply with the corresponding Order or delivery note, or if the products received appear to have been damaged during transportation, the Buyer must ensure to record a reservation on the delivery document upon receipt or alternatively reject receipt of the Order. If reservation is made subject to receipt of the Order, this must be as specific as possible and include photo documentation of all visual damages in accordance with the claims procedure outlined below. &Tradition shall have the right to reject all claims in connection with visual damages and/or quantity errors if the Buyer has not made a reservation on the delivery document.

10.3. Claim Procedure

10.3.1. The Buyer must notify &Tradition of any claims related to clause 10.2. no later than 2 calendar days after delivery of the Order by sending an e-mail to info@andtradition.com informing:

- Sales order number or invoice number;
- Purchase order no. (PO no.);
- &Tradition item number;
- Description of the claim; and
- Photo documentation supporting the claim.

10.3.2. Any claims made subject to the warranty provisions must be notified &Tradition without undue delay and include same documentation as outlined in 10.3.1. and send by e-mail to after-sales@andtradition.com.

10.3.3. &Tradition reserves the right to reject any claims that do not meet the requirements as set out herein.

10.3.4. Insofar &Tradition approves the claim, &Tradition shall at its sole discretion determine its remedy whether to repair, replace the product or repay the purchase price. The Buyer is not entitled to make financial claims against &Tradition in cases of non-conforming products, unless where mandatory applicable law precludes or prohibits any exclusion or limitation of liability.

11. Warranty

11.1. &Tradition provides a two-year warranty on all standard products and five-year warranty on all standard furniture against defects in materials and workmanship. The warranties do not extend to situations and/or defects resulting from, without limitation, any of the following:

- Non-compliance with &Tradition's instructions for assembly, use, maintenance or care;
- Exposure to direct sunlight or heat from i.e. radiators that may fade and dry out surfaces on wood, fabrics or leather;
- Normal wear and tear, including without limitation deformation of foam, webbing, paper cord and rattan, or damage to upholstery; or
- Use of customer's own material (COM), other non-standard fabrics or leather not listed in &Tradition's pricelist on a specific product, or customer-supplied components.

11.2. The warranty will become void upon any alteration or repair of product on the Buyer's own initiative.

11.3. Tolerances

11.3.1. Variations naturally occurring in wood, leather, marble and other natural materials, as well as formation of wrinkles on leather and fabrics on upholstery products, are not considered defects in material or workmanship.

11.3.2. For products with LED light, reduction in light output may be expected over time.

11.4. Assembling and Maintenance Guides for Products

11.4.1. On www.andtradition.com instruction manuals, care and maintenance guides are available.

12. Product Compliance

12.1. &Tradition shall be responsible that any product delivered adheres to all laws and regulations applicable to the product within the delivery location at the time of delivery to the Buyer.

12.2. The Buyer undertakes not to export the products to countries where the products do not comply with the laws and regulations applicable to the products in respect to without limitation materials, labelling, packaging, technical requirements etc. The Buyer shall indemnify and hold &Tradition harmless for any damage, loss or claim resulting out of or in connection with the Buyer's breach thereof.

13. Force Majeure

13.1. &Tradition shall not be in breach nor liable for any delay in performing, or failure to perform, any of its obligations pursuant to the Order if such delay or failure results from events, circumstances or causes beyond its reasonable control.

14. Customer's Own Material (COM)

14.1. &Tradition may, at its sole discretion, accept COM orders where the Buyer wishes to use its own material, including but not limited to textiles, leather, or wood. Any such material must be tested and approved in writing by &Tradition. Approval solely confirms technical suitability for use on the selected product.

14.2. The Buyer is responsible for sourcing, delivering, and ensuring the quality, suitability, and quantity of any COM material supplied.

14.3. Lead time for COM products is calculated from receipt of the material. &Tradition is not liable for any delay resulting from issues related to the COM.

14.4. &Tradition does not guarantee compliance with laws, the alignment of patterns, or the final visual appearance.

14.5. Any warranty provided by &Tradition does not apply to COM products. The Buyer shall indemnify and hold harmless &Tradition against any claims, losses, damages, or costs arising out of or in connection with the use of COM.

15. Termination

15.1. Each party may terminate the agreement, including the trade relationship governed by these GTCs, for convenience by giving the other party one (1) month's prior written notice.

16. Governing Law and Jurisdiction

16.1. The Order, including these GTCs shall be governed by and construed in accordance with the laws of Denmark, excluding its conflicts of law provisions and the CISG.

16.2. Any disputes between the Parties arising out of or in connection with the Order and/or GTCs shall be settled by the City Court of Copenhagen.

17. All Rights Reserved

17.1. &Tradition is not responsible for any printing errors or price errors. &Tradition reserves the right to make changes or to discontinue any product or part thereof without prior notice.

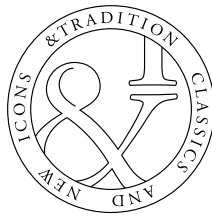
18. Contact Information

&Tradition A/S, CVR-nr. 18169304

Office: Fredericiagade 21, 1310 Copenhagen, Denmark

Showroom: Kronprinsessegade 4, 1306 Copenhagen K, Denmark, +45 3920 0233, info@andtradition.com

Last updated 15-05-2025



&Tradition
Fredericiagade 21
DK-1310 Copenhagen
info@andtradition.com
andtradition.com

©&Tradition 2025
#andtradition

&Tradition®

& Tradition

Lighting
2026



Price list 2026 - Valid from February 4th
Currency: USD



Lighting

NEW VARIANTS

NEW VARIANTS

Colette ^{ATD6}
Design &Tradition | 2020
Category Table lamp
Variants White & Black, White & Merlot
Price* 565 USD

p. 6

Flowerpot ^{VP10}
Design Verner Panton | 1968
Category Pendant
New Variants Steel Blue, Ivory, Zesty Orange
Price* 340 USD

p. 7

Flowerpot ^{VP1}
Design Verner Panton | 1968
Category Pendant
New Variants Steel Blue, Ivory, Zesty Orange
Price* 405 USD

p. 8

NEW VARIANTS

NEW VARIANTS

NEW VARIANTS

Flowerpot ^{VP7}
Design Verner Panton | 1968
Category Pendant
New Variants Steel Blue, Ivory, Zesty Orange
Price* 655 USD

p. 9

Flowerpot ^{VP2}
Design Verner Panton | 1968
Category Pendant
New Variants Steel Blue, Ivory, Zesty Orange
Price* 945 USD

p. 10

Flowerpot ^{VP3}
Design Verner Panton | 1968
Category Table lamp
New Variants Steel Blue, Ivory, Zesty Orange
Price* 520 USD

p. 11

NEW VARIANTS

NEW VARIANTS

NEW VARIANTS

Flowerpot ^{VP4}
Design Verner Panton | 1968
Category Table lamp
New Variants Steel Blue
Price* 520 USD

p. 12

Flowerpot ^{VP8}
Design Verner Panton | 1968
Category Wall lamp
New Variants Steel Blue
Price* 565 USD

p. 13

Flowerpot ^{VP9}
Design Verner Panton | 1968
Category Portable lamp
New Variants Steel Blue, Ivory, Zesty Orange
Price* 315 USD

p. 14

NEW VARIANTS

Flowerpot ^{VP12}
Design Verner Panton | 1969
Category Floor lamp
New Variants Steel Blue
Price* 1.080 USD

p. 15

Utzon ^{JU1}
Design Jørn Utzon | 1947
Category Pendant
Variants Stone Grey, Grey Beige, Dark Burgundy, Steel blue, Matt White, Brass-plated
Price* from 450 USD

p. 18

Herman ^{SHY3}
Design Signe Hytte | 2022
Category Table Lamp
Variants Opal glass w. Walnut & Cream Marble
Price* 675 USD

p. 19

Lighting

Mist ^{AP15}

Design All the Way to Paris | 2023
Category Pendant
Variants Opal Glass

Price* 565 USD

p. 20

Mist ^{AP16}

Design All the Way to Paris | 2023
Category Pendant
Variants Opal Glass

Price* 855 USD

p. 20

Mist ^{AP17}

Design All the Way to Paris | 2023
Category Table Lamp
Variants Guatemala Verde or Grigio Caldo w. opal glass

Price* 1.080 USD

p. 20

NEW VARIANTS

Mist ^{AP20}

Design All the Way to Paris | 2025
Category Pendant
Variants Opal Glass

Price* 1.800 USD

p. 20

Mist ^{AP22}

Design All the Way to Paris | 2025
Category Wall & Ceiling Lamp
Variants Opal Glass

Price* 565 USD

p. 20

Caret ^{MF1}

Design Matteo Fogale | 2022
Category Portable lamp
New Variants Antracite, Forest

Price* 365 USD

p. 24

Index

Lighting

Colette ATD6
p. 6 **NEW**

Flowerpot VP10 VP1 VP7 VP2
p. 7-10

Flowerpot VP3 VP4 VP8 VP9 VP12
p. 11-15

Topan VP6 VP13 VP14
p. 16-17

Utzon Lamp JU1
p. 18 **NEW**

Herman SHY3
p. 19 **NEW**

Mist AP15 AP16 AP17 AP20 AP22
p. 20 **NEW** **NEW** **NEW** **NEW** **NEW**

Lucca SC51
p. 21

Manhattan SC52
p. 22

Como SC53
p. 23

Caret MF1
p. 24

Raku SH8
p. 25

Setago JH27
p. 26

Pivot ATD7
p. 27

Index

Product information

Spare Parts
p. 28-32

Maintenance and Care
p. 33

Colour Overview
p. 34-35

Packaging Information
p. 36

Sales procedures for dealers
p. 37-38

Information regarding lead times

Kindly note that lead times are stated excluding transport from the &Tradition warehouse.

NEW

Colette ^{ATD6} &Tradition 2022



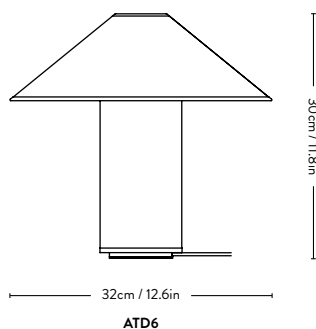
Product no.	Product	Variant	Cord	Colli qty.	Lead time	Weight	PRICE EX. STATE TAX
154799A157	Table lamp	White & Black	2.5m Black textile w. dimmer	1 pc	Stock item	1.60 kg	565
154799A156	Table lamp	White & Merlot	2.5m Black textile w. dimmer	1 pc	Stock item	1.60 kg	565

Technical Specification

E12 Max 40 Watt

Material: Plastic-lined polyester, aluminium, steel

Bulb is not included.



Flowerpot^{VP10} Verner Panton 1968



Product no.	Product	Variant	Cord	Colli qty.	Lead time	Weight	PRICE EX. STATE TAX
146378A221	Pendant	Matt White	3m White textile	2 pcs	Stock item	0.60 kg	340
146378A219	Pendant	Matt Light Grey	3m Grey textile	2 pcs	Stock item	0.60 kg	340
146378A218	Pendant	Matt Black	3m Black textile	2 pcs	Stock item	0.60 kg	340
146378A215	Pendant	Mustard	3m Mustard textile	2 pcs	Stock item	0.60 kg	340
146378A208	Pendant	Stone Blue	3m Stone Blue textile	2 pcs	Stock item	0.60 kg	340
146378A209	Pendant	Grey Beige	3m Grey Beige textile	2 pcs	Stock item	0.60 kg	340
146378A205	Pendant	Signal Green	3m Signal Green textile	2 pcs	Stock item	0.60 kg	340
146378A178	Pendant	Cobalt Blue	3m Cobalt Blue textile	2 pcs	Stock item	0.60 kg	340
146378A182	Pendant	Vermilion Red	3m Vermilion Red textile	2 pcs	Stock item	0.60 kg	340
146378A181	Pendant	Tangy Pink	3m Tangy Pink textile	2 pcs	Stock item	0.60 kg	340
146378A180	Pendant	Dark Plum	3m Dark Plum textile	2 pcs	Stock item	0.60 kg	340
146378A179	Pendant	Swim Blue	3m Swim Blue textile	2 pcs	Stock item	0.60 kg	340
146378A568	Pendant	Steel Blue NEW	3m Steel Blue textile	2 pcs	Stock item	0.60 kg	340
146378A569	Pendant	Ivory NEW	3m Ivory textile	2 pcs	Stock item	0.60 kg	340
146378A570	Pendant	Zesty Orange NEW	3m Zesty Orange textile	2 pcs	Stock item	0.60 kg	340
146378A274	Pendant	Chrome-plated	3m Black textile	2 pcs	Stock item	0.60 kg	475
146378A268	Pendant	Brass-plated	3m Black textile	2 pcs	Stock item	0.60 kg	475
146378A171	Pendant	Cobalt Blue & Twilight Blue Pattern	3m Cobalt Blue textile	2 pcs	Stock item	0.60 kg	475
146378A170	Pendant	Black & White Pattern	3m Black textile	2 pcs	Stock item	0.60 kg	475

Technical Specification

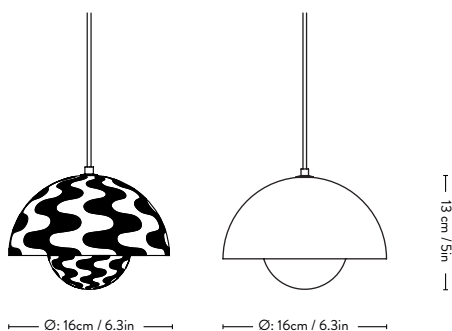
G9 Max 5 Watt LED

Material: Painted or plated steel.

Black textile cord: Black canopy
White and other colored textile cords: White canopy

Bulb is not included.
Canopy included.

Spare parts available. Please refer to the 'Spare Parts' section.



VP10

Flowerpot^{VP1} Verner Panton 1968



Product no.	Product	Variant	Cord	Colli qty.	Lead time	Weight	PRICE EX. STATE TAX
146371A221	Pendant	Matt White	3m White textile	2 pcs	Stock item	1.00 kg	405
146371A219	Pendant	Matt Light Grey	3m Grey textile	2 pcs	Stock item	1.00 kg	405
146371A218	Pendant	Matt Black	3m Black textile	2 pcs	Stock item	1.00 kg	405
146371A215	Pendant	Mustard	3m Mustard textile	2 pcs	Stock item	1.00 kg	405
146371A208	Pendant	Stone Blue	3m Stone Blue textile	2 pcs	Stock item	1.00 kg	405
146371A209	Pendant	Grey Beige	3m Grey Beige textile	2 pcs	Stock item	1.00 kg	405
146371A205	Pendant	Signal Green	3m Signal Green textile	2 pcs	Stock item	1.00 kg	405
146371A178	Pendant	Cobalt Blue	3m Cobalt Blue textile	2 pcs	Stock item	1.00 kg	405
146371A182	Pendant	Vermilion Red	3m Vermilion Red textile	2 pcs	Stock item	1.00 kg	405
146371A181	Pendant	Tangy Pink	3m Tangy Pink textile	2 pcs	Stock item	1.00 kg	405
146371A180	Pendant	Dark Plum	3m Dark Plum textile	2 pcs	Stock item	1.00 kg	405
146371A179	Pendant	Swim Blue	3m Swim Blue textile	2 pcs	Stock item	1.00 kg	405
146371A568	Pendant	Steel Blue NEW	3m Steel Blue textile	2 pcs	Stock item	1.00 kg	405
146371A569	Pendant	Ivory NEW	3m Ivory textile	2 pcs	Stock item	1.00 kg	405
146371A570	Pendant	Zesty Orange NEW	3m Zesty Orange textile	2 pcs	Stock item	1.00 kg	405
146371A274	Pendant	Chrome-plated	3m Black textile	2 pcs	Stock item	1.00 kg	565
146371A268	Pendant	Brass-plated	3m Black textile	2 pcs	Stock item	1.00 kg	565
146371A171	Pendant	Cobalt Blue & Twilight Blue Pattern	3m Cobalt Blue textile	2 pcs	Stock item	1.00 kg	565
146371A170	Pendant	Black & White Pattern	3m Black textile	2 pcs	Stock item	1.00 kg	565

Technical Specification

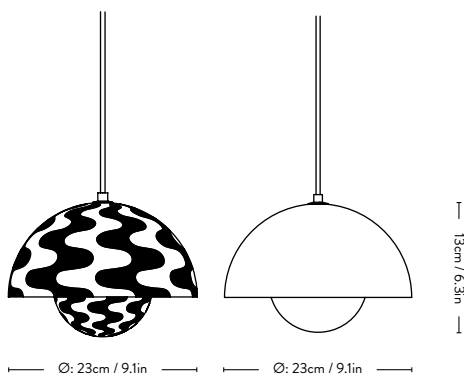
E26 Max 40 Watt

Material: Painted or plated steel.

Black textile cord: Black canopy
White and other colored textile cords: White canopy

Bulb is not included.
Canopy included.

Spare parts available. Please refer to the 'Spare Parts' section.



Flowerpot^{VP7} Verner Panton 1968



Product no.	Product	Variant	Cord	Colli qty.	Lead time	Weight	PRICE EX. STATE TAX
146376A221	Pendant	Matt White	3m White textile	1 pc	Stock item	2.40 kg	655
146376A219	Pendant	Matt Light Grey	3m Grey textile	1 pc	Stock item	2.40 kg	655
146376A218	Pendant	Matt Black	3m Black textile	1 pc	Stock item	2.40 kg	655
146376A215	Pendant	Mustard	3m Mustard textile	1 pc	Stock item	2.40 kg	655
146376A208	Pendant	Stone Blue	3m Stone Blue textile	1 pc	Stock item	2.40 kg	655
146376A209	Pendant	Grey Beige	3m Grey Beige textile	1 pc	Stock item	2.40 kg	655
146376A205	Pendant	Signal Green	3m Signal Green textile	1 pc	Stock item	2.40 kg	655
146376A178	Pendant	Cobalt Blue	3m Cobalt Blue textile	1 pc	Stock item	2.40 kg	655
146376A182	Pendant	Vermilion Red	3m Vermilion Red textile	1 pc	Stock item	2.40 kg	655
146376A181	Pendant	Tangy Pink	3m Tangy Pink textile	1 pc	Stock item	2.40 kg	655
146376A180	Pendant	Dark Plum	3m Dark Plum textile	1 pc	Stock item	2.40 kg	655
146376A179	Pendant	Swim Blue	3m Swim Blue textile	1 pc	Stock item	2.40 kg	655
146376A568	Pendant	Steel Blue NEW	3m Steel Blue textile	1 pc	Stock item	2.40 kg	655
146376A569	Pendant	Ivory NEW	3m Ivory textile	1 pc	Stock item	2.40 kg	655
146376A570	Pendant	Zesty Orange NEW	3m Zesty Orange textile	1 pc	Stock item	2.40 kg	655
146376A171	Pendant	Cobalt Blue & Twilight Blue Pattern	3m Cobalt Blue textile	1 pc	Stock item	2.40 kg	1.015
146376A170	Pendant	Black & White Pattern	3m Black textile	1 pc	Stock item	2.40 kg	1.015

Technical Specification

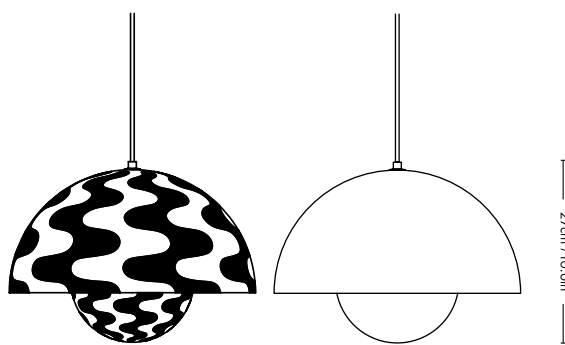
E26 Max 40 Watt

Material: Painted or plated steel.

Black textile cord: Black canopy
White and other colored textile cords: White canopy

Bulb is not included.
Canopy included.

Spare parts available. Please refer to the 'Spare Parts' section.

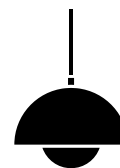


Ø: 37cm / 14.6in

Ø: 37cm / 14.6in

VP7

Flowerpot^{VP2} Verner Panton 1968



Product no.	Product	Variant	Cord	Colli qty.	Lead time	Weight	PRICE EX. STATE TAX
146372A221	Pendant	Matt White	3m White textile	1 pc	Stock item	3.40 kg	945
146372A218	Pendant	Matt Black	3m Black textile	1 pc	Stock item	3.40 kg	945
146372A209	Pendant	Grey Beige	3m Grey Beige textile	1 pc	Stock item	3.40 kg	945
146372A208	Pendant	Stone Blue	3m Stone Blue textile	1 pc	Stock item	3.40 kg	945
146372A182	Pendant	Vermilion Red	3m Vermilion Red textile	1 pc	Stock item	3.40 kg	945
146372A568	Pendant	Steel Blue NEW	3m Steel Blue textile	1 pc	Stock item	3.40 kg	945
146372A569	Pendant	Ivory NEW	3m Ivory textile	1 pc	Stock item	3.40 kg	945
146372A570	Pendant	Zesty Orange NEW	3m Zesty Orange textile	1 pc	Stock item	3.40 kg	945
146372A171	Pendant	Cobalt Blue & Twilight Blue Pattern	3m Cobalt Blue textile	1 pc	Stock item	3.40 kg	1.260
146372A170	Pendant	Black & White Pattern	3m Black textile	1 pc	Stock item	3.40 kg	1.260

Technical Specification

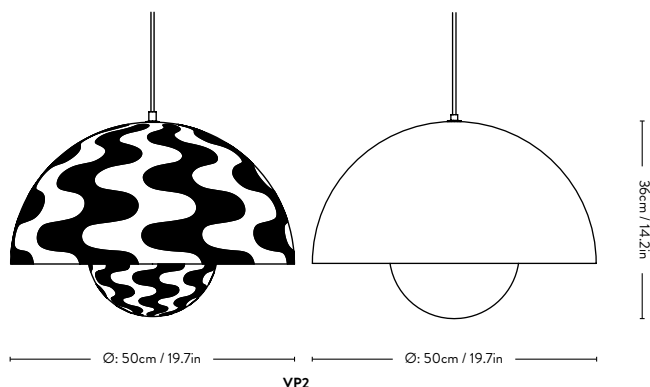
E26 Max 40 Watt

Material: Painted aluminium.

Black textile cord: Black canopy
White and other colored textile cords: White canopy

Bulb is not included.
Canopy included.

Spare parts available. Please refer to the 'Spare Parts' section.



Flowerpot ^{VP3} Verner Panton 1968



Product no.	Product	Variant	Cord	Colli qty.	Lead time	Weight	PRICE EX. STATE TAX
146373A221	Table lamp	Matt White	2m Clear PVC w. switch	1 pc	Stock item	3.50 kg	520
146373A219	Table lamp	Matt Light Grey	2m Clear PVC w. switch	1 pc	Stock item	3.50 kg	520
146373A218	Table lamp	Matt Black	2m Clear PVC w. switch	1 pc	Stock item	3.50 kg	520
146373A215	Table lamp	Mustard	2m Clear PVC w. switch	1 pc	Stock item	3.50 kg	520
146373A208	Table lamp	Stone Blue	2m Clear PVC w. switch	1 pc	Stock item	3.50 kg	520
146373A209	Table lamp	Grey Beige	2m Clear PVC w. switch	1 pc	Stock item	3.50 kg	520
146373A205	Table lamp	Signal Green	2m Clear PVC w. switch	1 pc	Stock item	3.50 kg	520
146373A178	Table lamp	Cobalt Blue	2m Clear PVC w. switch	1 pc	Stock item	3.50 kg	520
146373A182	Table lamp	Vermilion Red	2m Clear PVC w. switch	1 pc	Stock item	3.50 kg	520
146373A181	Table lamp	Tangy Pink	2m Clear PVC w. switch	1 pc	Stock item	3.50 kg	520
146373A180	Table lamp	Dark Plum	2m Clear PVC w. switch	1 pc	Stock item	3.50 kg	520
146373A179	Table lamp	Swim Blue	2m Clear PVC w. switch	1 pc	Stock item	3.50 kg	520
146373A568	Table lamp	Steel Blue NEW	2m Clear PVC w. switch	1 pc	Stock item	3.50 kg	520
146373A569	Table lamp	Ivory NEW	2m Clear PVC w. switch	1 pc	Stock item	3.50 kg	520
146373A570	Table lamp	Zesty Orange NEW	2m Clear PVC w. switch	1 pc	Stock item	3.50 kg	520
146373A274	Table lamp	Chrome-plated	2m Clear PVC w. switch	1 pc	Stock item	3.50 kg	790
146373A268	Table lamp	Brass-plated	2m Clear PVC w. switch	1 pc	Stock item	3.50 kg	790

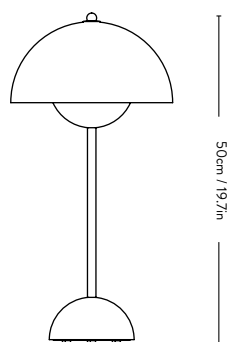
Technical Specification

E26 Max 40 Watt

Material: Painted or plated steel.

Bulb is not included.

Spare parts available. Please refer to the 'Spare Parts' section.



23cm / 9.1in

VP3

Flowerpot^{VP4} Verner Panton 1968



Product no.	Product	Variant	Cord	Colli qty.	Lead time	Weight	PRICE EX. STATE TAX
146374A221	Table lamp	Matt White	2m White textile w. switch	1 pc	Stock item	1.30 kg	520
146374A218	Table lamp	Matt Black	2m Black textile w. switch	1 pc	Stock item	1.30 kg	520
146374A568	Table lamp	Steel Blue NEW	2m Black textile w. switch	1 pc	Stock item	1.30 kg	520
146374A203	Table lamp	Chrome-plated	2m Black textile w. switch	1 pc	Stock item	1.30 kg	790

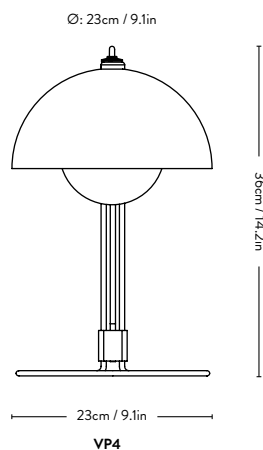
Technical Specification

E26 Max 40 Watt

Material: Painted or plated steel.

Bulb is not included.

Spare parts available. Please refer to the 'Spare Parts' section.



Flowerpot^{VP8} Verner Panton 1968



Product no.	Product	Variant	Cord	Colli qty.	Lead time	Weight	PRICE EX. STATE TAX
146377A221	Wall lamp	Matt White	2m White textile	1 pc	Stock item	1.30 kg	565
146377A218	Wall lamp	Matt Black	2m Black textile	1 pc	Stock item	1.30 kg	565
146377A219	Wall lamp	Matt Light Grey	2m Grey textile	1 pc	Stock item	1.30 kg	565
146377A215	Wall lamp	Mustard	2m Mustard textile	1 pc	Stock item	1.30 kg	565
146377A209	Wall lamp	Grey Beige	2m Grey Beige textile	1 pc	Stock item	1.30 kg	565
146377A182	Wall lamp	Vermilion Red	2m Vermilion Red textile	1 pc	Stock item	1.30 kg	565
146377A205	Wall lamp	Signal Green	2m Signal Green textile	1 pc	Stock item	1.30 kg	565
146377A568	Wall lamp	Steel Blue NEW	2m Steel Blue textile	1 pc	Stock item	1.30 kg	565
146377A203	Wall lamp	Chrome-plated	2m Black Textile	1 pc	Stock item	1.30 kg	835

Technical Specification

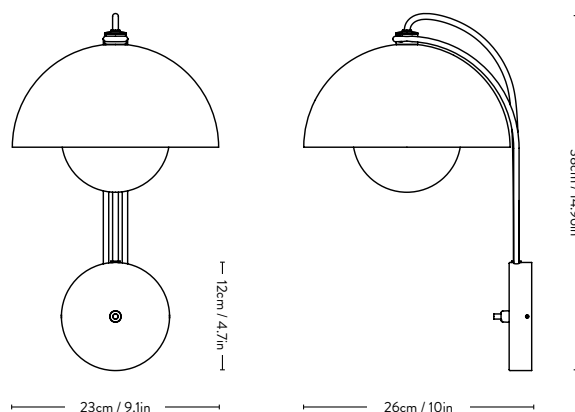
E26 Max 40 Watt

Material: Painted or plated steel

Flowerpot VP8 is available as a plug-in (using the existing power cord) or hardwired (installed directly to the power outlet).

Bulb is not included.

Spare parts available. Please refer to the 'Spare Parts' section.



VP8

Flowerpot ^{VP9} Verner Panton 1968



Product no.	Product	Variant	Colli qty.	Lead time	Weight	PRICE EX. STATE TAX
133093A221	Portable lamp	Matt White	2 pcs	Stock item	0.83 kg	315
133093A219	Portable lamp	Matt Light Grey	2 pcs	Stock item	0.83 kg	315
133093A218	Portable lamp	Matt Black	2 pcs	Stock item	0.83 kg	315
133093A215	Portable lamp	Mustard	2 pcs	Stock item	0.83 kg	315
133093A209	Portable lamp	Grey Beige	2 pcs	Stock item	0.83 kg	315
133093A208	Portable lamp	Stone Blue	2 pcs	Stock item	0.83 kg	315
133093A205	Portable lamp	Signal Green	2 pcs	Stock item	0.83 kg	315
133093A178	Portable lamp	Cobalt Blue	2 pcs	Stock item	0.83 kg	315
133093A182	Portable lamp	Vermilion Red	2 pcs	Stock item	0.83 kg	315
133093A181	Portable lamp	Tangy Pink	2 pcs	Stock item	0.83 kg	315
133093A180	Portable lamp	Dark Plum	2 pcs	Stock item	0.83 kg	315
133093A179	Portable lamp	Swim Blue	2 pcs	Stock item	0.83 kg	315
133093A568	Portable lamp	Steel Blue NEW	2 pcs	Stock item	0.83 kg	315
133093A569	Portable lamp	Ivory NEW	2 pcs	Stock item	0.83 kg	315
133093A570	Portable lamp	Zesty Orange NEW	2 pcs	Stock item	0.83 kg	315
133093A268	Portable lamp	Brass-Plated	2 pcs	Stock item	0.83 kg	450
133093A203	Portable lamp	Chrome-Plated	2 pcs	Stock item	0.83 kg	450

Material: Lacquered polycarbonate (PC) and steel

LED board included - replaceable (spare part).

Magnetic USB A 200 cm / 79 inch charging cable included.

Spare parts available. Please refer to the 'Spare Parts' section.

Technical Specification

3 Watt LED board

CRI: >80

Colour temperature (Kelvin): 2700K

Charging time: 8 hours

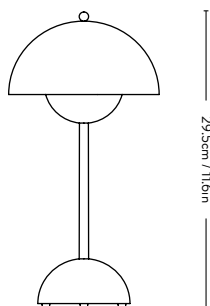
Operating time in highest light setting: 10 hours

Dimmability: 3 level touch dimmer 100% - 50% - 20%

Battery: Replaceable (spare part)

IP class: IP44

(This lamp is for indoors use only. It can be taken outdoors, but must be kept and stored indoors.)



Ø:9.6cm / 3.8in
VP9

Flowerpot^{VP12} Verner Panton 1969



Product no.	Product	Variant	Cord	Colli qty.	Lead time	Weight	PRICE EX. STATE TAX
146379A178	Floor lamp	Cobalt Blue	2m Black textile cord w. switch	1 pc	Stock item	5.50 kg	1.080
146379A209	Floor lamp	Grey Beige	2m Black textile cord w. switch	1 pc	Stock item	5.50 kg	1.080
146379A568	Floor lamp	Steel Blue NEW	2m Black textile cord w. switch	1 pc	Stock item	5.50 kg	1.080
146379A218	Floor lamp	Matt Black	2m Black textile cord w. switch	1 pc	Stock item	5.50 kg	1.080
146379A274	Floor lamp	Chrome-plated	2m Black textile cord w. switch	1 pc	Stock item	5.50 kg	1.350

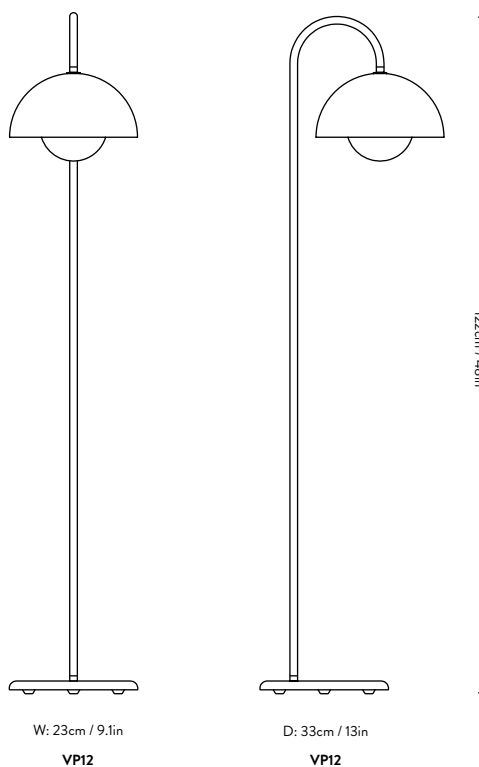
Technical Specification

E26 Max 40 Watt

Material: Painted or plated steel.

Bulb is not included.

Spare parts available. Please refer to the 'Spare Parts' section.



Topan ^{VP6} Verner Panton 1959



Product no.	Product	Variant	Cord	Colli qty.	Lead time	Weight	PRICE EX. STATE TAX
146375A218	Pendant	Matt Black	3m Black textile	2 pcs	Stock item	0.70 kg	405
146375A182	Pendant	Vermilion Red	3m Vermilion Red textile	2 pcs	Stock item	0.70 kg	405
146375A209	Pendant	Grey Beige	3m Grey Beige textile	2 pcs	Stock item	0.70 kg	405
146375A274	Pendant	Chrome-plated	3m Black textile	2 pcs	Stock item	0.70 kg	565

Technical Specification

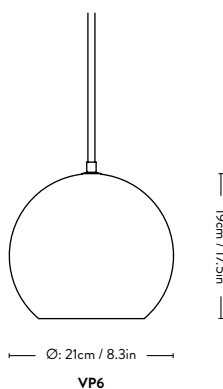
E26 Max 30 Watt

Material: Lacquered or plated aluminium.

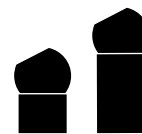
Black textile cord: Black canopy
White and other colored textile cords: White canopy

Bulb is not included.
Canopy included.

Spare parts available. Please refer to the 'Spare Parts' section.



Topan VP13 & VP14 Verner Panton 1959



Product no.	Product	Product code	Variant	Cord	Colli qty.	Lead time	Weight	PRICE EX. STATE TAX
146380A182	Table lamp	VP13	Vermilion Red	3m Vermilion Red textile	2 pcs	Stock item	1.16 kg	520
146380A209	Table lamp	VP13	Grey Beige	3m Grey Beige textile	2 pcs	Stock item	1.16 kg	520
146380A274	Table lamp	VP13	Chrome-plated	3m Black textile	2 pcs	Stock item	1.16 kg	675
146381A182	Table lamp	VP14	Vermilion Red	3m Vermilion Red textile	2 pcs	Stock item	1.55 kg	630
146381A209	Table lamp	VP14	Grey Beige	3m Grey Beige textile	2 pcs	Stock item	1.55 kg	630
146381A274	Table lamp	VP14	Chrome-plated	3m Black textile	2 pcs	Stock item	1.55 kg	790

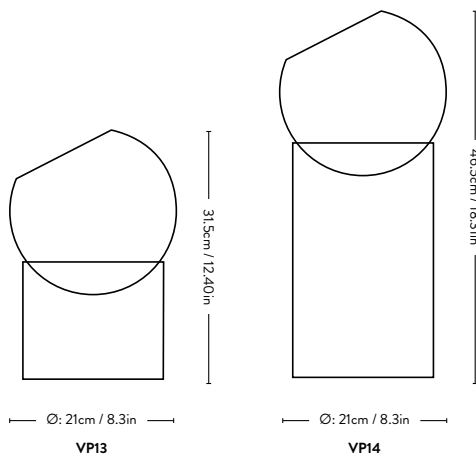
Technical Specification

E26 Max 12W LED

Material: Acrylic base, Aluminium shade, textile cord.

Bulb is not included.

Spare parts available. Please refer to the 'Spare Parts' section.



NEW

Utzon^{JU1} Jørn Utzon 1947



Product no.	Product	Variant	Cord	Colli qty.	Lead time	Weight	PRICE EX. STATE TAX
147619A325	Pendant	Matt White	4m White textile	2 pcs	Stock item	1.40 kg	450
147619A574	Pendant	Dark Burgundy	4m Dark Burgundy textile	2 pcs	Stock item	1.40 kg	495
147619A575	Pendant	Stone Grey	4m Stone Grey textile	2 pcs	Stock item	1.40 kg	495
147619A209	Pendant	Grey Beige	4m Grey Beige textile	2 pcs	Stock item	1.40 kg	495
147619A369	Pendant	Steel Blue	4m Black textile	2 pcs	Stock item	1.40 kg	495
147619A141	Pendant	Brass-plated	4m Black textile	2 pcs	Stock item	1.40 kg	855

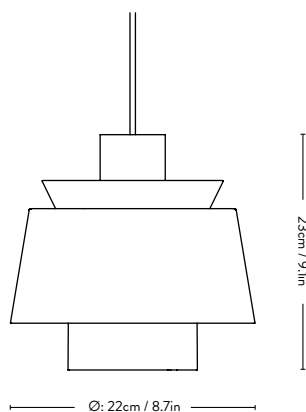
Technical Specification

E26 Max 40 Watt

Material: Lacquered or plated steel.

Black textile cord: Black canopy
White textile cords: White canopy

Bulb is not included.
Canopy included.



JU1

NEW

Herman SHY3 Signe Hytte 2022



Product no.	Product	Variant	Cord	Colli qty.	Lead time	Weight	PRICE EX. STATE TAX
154800A125	Table lamp	Opal glass w. Walnut & Cream Marble	2m Black textile	2 pcs	Stock item	2.10 kg	675



Made using FSC® certified wood, supporting responsible environmental, social and economical management of the world's forests. Visit www.fsc.org

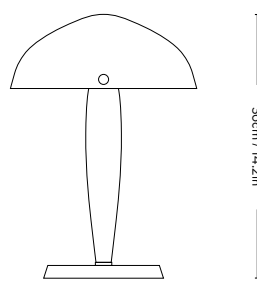
Technical Specification

E12 Max 25 Watt

Material: Opal glass, walnut & marble.

Bulb is not included.

Spare parts available. Please refer to the 'Spare Parts' section.

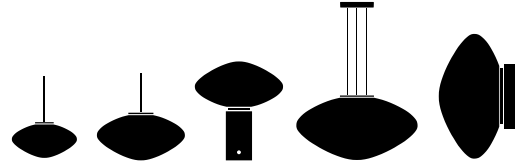


SHY3

NEW

Mist AP15-AP17, AP20 & AP22

All the Way to Paris 2023



Product no.	Product	Product code	Size	Variant	Cord	Colli qty.	Lead time	Weight	PRICE EX. STATE TAX
154803A324	Pendant	AP15	Ø:25 x H:13 cm	Opal Glass	3m White textile	1 pc	Stock item	1.30 kg	565
154804A324	Pendant	AP16	Ø:37 x H:20 cm	Opal Glass	3m White textile	1 pc	Stock item	2.00 kg	855
154807A324	Table lamp	AP17	Ø:37 x H:41 cm	Guatemala Verde w. Opal glass	2.5m Black textile	1 pc	Stock item	6.20 kg	1.080
154809A324	Table lamp	AP17	Ø:37 x H:41 cm	Grigio Caldo w. Opal Glass	2.5m Black textile	1 pc	Stock item	6.20 kg	1.080
154805A324	Pendant	AP20	Ø:56 x H:29 cm	Opal Glass	6m White textile	1 pc	Stock item	7.00 kg	1.800
156112A324	Wall lamp	AP22	Ø:25 x D:15 cm	Opal Glass		1 pc	Stock item	1.50 kg	565

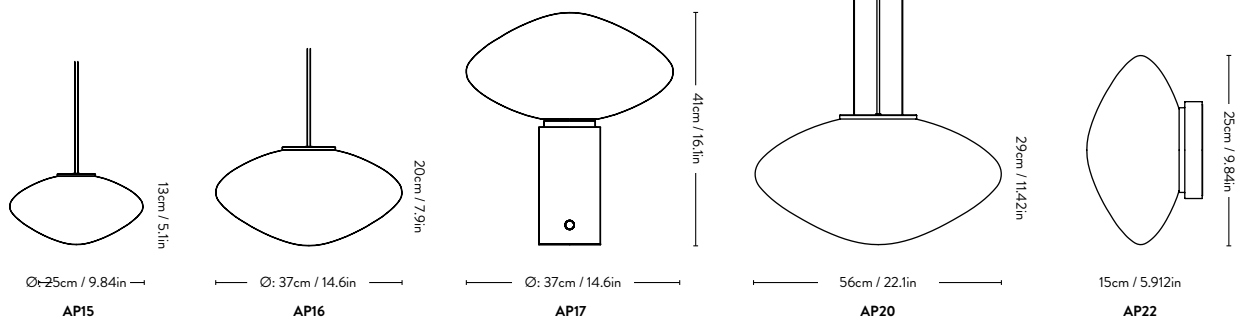
Technical Specification

AP15: G9 Max 20 Watt
AP16: E12 Max 40 Watt
AP17: E12 Max 40 Watt, Dimmability: Dimmer on base
AP20: E26 Max 12 W LED
AP22: G9 Max. 5 Watt (not included)
 Indoor/outdoor - IP44
 Hardwired (installed directly to the power outlet).

Material:
AP15, AP16, AP20, AP22: Mouth-blown glass & aluminium
AP17: Mouth-blown glass & marble

Bulb is not included.
 White canopy is included for pendants.

Spare parts available. Please refer to the 'Spare Parts' section.



Lucca^{SC51} Space Copenhagen 2020



Product no.	Product	Variant	Colli qty.	Lead time	Weight	PRICE EX. STATE TAX
133163A127	Portable lamp	Black	2 pcs	Stock item	0.90 kg	270

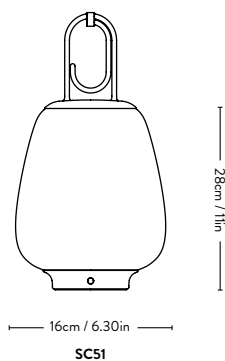
Technical Specification

2.5 Watt LED Board
 CRI: >80
 Colour temperature (Kelvin): 2700K
 Charging time: 8 hours
 Operating time in highest light setting: 12 hours
 Dimmability: 3 level touch dimmer on base 100% - 50% - 20%
 Battery: Replaceable (spare part)
 IP class: IP44 (This lamp works indoors and outdoors. It should be charged indoors, but can be left outside. Ensure the micro USB lid is closed to prevent water damage.)

Material: Satinised opal glass, powder-coated steel, brass.

LED board included – replaceable (spare part).
 Micro USB A 200 cm / 79 in charging cable included.

Spare parts available. Please refer to the 'Spare Parts' section.



Manhattan ^{SC52} Space Copenhagen 2020



Product no.	Product	Variant	Colli qty.	Lead time	Weight	PRICE EX. STATE TAX
133164A119	Portable lamp	Bronzed	2 pcs	Stock item	0.50 kg	340

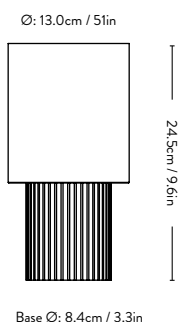
Technical Specification

G4 LED Bulb 1 Watt
 CRI: >85
 Colour temperature (Kelvin): 2700K
 Charging time: 1 battery 3.5 hours – 2 batteries 6 hours
 Operating time in highest light setting:
 1 battery 11 hours – 2 batteries 20 hours
 Dimmability: 3 level touch dimmer on base 100% - 70% - 40%
 Battery: Delivery with 1 battery. Replaceable (spare part)
 IP class: IP20

Material: Aluminium, Canvas, ABS

LED bulb included – replaceable (spare part).
 Magnetic USB A 200 cm / 79 in charging cable included.

Spare parts available. Please refer to the 'Spare Parts' section.



SC52

Como SC53 Space Copenhagen 2020



Product no.	Product	Variant	Colli qty.	Lead time	Weight	PRICE EX. STATE TAX
133165A232	Portable lamp	Bronzed	2 pcs	Stock item	0.40 kg	340
133165A233	Portable lamp	Black	2 pcs	Stock item	0.40 kg	340
136731A138	Portable lamp	Brass	2 pcs	Stock item	0.60 kg	450
133165A207	Portable lamp	Stone Blue	2 pcs	Stock item	0.40 kg	340
133165A212	Portable lamp	Red Brown	2 pcs	Stock item	0.40 kg	340
133165A166	Portable lamp	Aluminium	2 pcs	Stock item	0.40 kg	340

Technical Specification

G4 LED Bulb 1 Watt

CRI: >85

Colour temperature (Kelvin): 2700K

Charging time: 1 battery 3.5 hours – 2 batteries 6 hours

Operating time in highest light setting:

1 battery 11 hours – 2 batteries 20 hours

Dimmability: 3 level touch dimmer on base 100% - 70% - 40%

Battery: Delivery with 1 battery. Replaceable (spare part)

IP class: IP44 (This lamp is for indoors use only. It can be taken outdoors, but must be kept and stored indoors.)

Material:

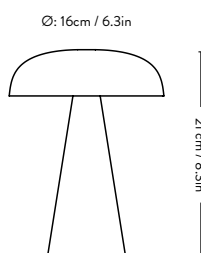
Metal variants: Anodised or lacquered aluminium or brass, polycarbonate (PC) & ABS

Painted variants: Aluminium & polycarbonate (PC) & ABS

LED bulb included – replaceable (spare part).

Magnetic USB A 200 cm / 79 inch charging cable included.

Spare parts available. Please refer to the 'Spare Parts' section.



Caret^{MF1} Matteo Fogale 2022



Product no.	Product	Variant	Colli qty.	Lead time	Weight	PRICE EX. STATE TAX
133166A160	Portable lamp	Silk Grey	2 pcs	Stock item	0.75 kg	365
133166A163	Portable lamp	Dark Burgundy	2 pcs	Stock item	0.75 kg	365
133166A572	Portable lamp NEW	Antracite	2 pcs	Stock item	0.75 kg	365
133166A573	Portable lamp NEW	Forest	2 pcs	Stock item	0.75 kg	365

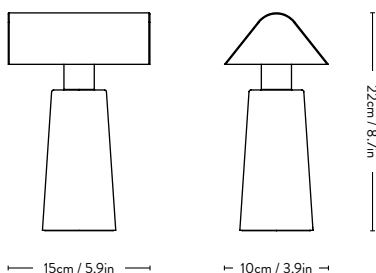
Technical Specification

G4 LED Bulb 1 Watt
 CRI: >85
 Colour temperature (Kelvin): 2700K
 Charging time: 1 battery 3.5 hours – 2 batteries 6 hours
 Operating time in highest light setting:
 1 battery 11 hours – 2 batteries 20 hours
 Dimmability: 3 level touch dimmer on base 100% - 70% - 40%
 Battery: Delivery with 1 battery. Replaceable (spare part)
 IP class: IP44 (This lamp is for indoors use only. It can be taken outdoors, but must be kept and stored indoors.)

Material: Lacquered steel, polycarbonate (PC), ABS

LED bulb included – replaceable (spare part).
 Magnetic USB A 200 cm / 79 in charging cable included.

Spare parts available. Please refer to the 'Spare Parts' section.



MF1

Raku^{SH8} Sebastian Herkner 2022



Product no.	Product	Variant	Colli qty.	Lead time	Weight	PRICE EX. STATE TAX
136746A118	Portable lamp	Blue Green & Brass	2 pcs	Stock item	0.90 kg	430
133167A117	Portable lamp	Beige Grey & Bronzed	2 pcs	Stock item	0.80 kg	430

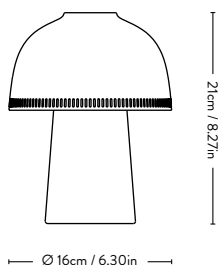
Technical Specification

G4 LED Bulb 1 Watt
 CRI: >85
 Colour temperature (Kelvin): 2700K
 Charging time: 1 battery 3.5 hours – 2 batteries 6 hours
 Operating time in highest light setting:
 1 battery 11 hours – 2 batteries 20 hours
 Dimmability: 3 levels 100% - 70% - 40%
 Battery: Delivery with 1 battery. Replaceable (spare part)
 IP class: IP44 (This lamp is for indoors use only. It can be taken outdoors, but must be kept and stored indoors.)

Material: Anodised aluminium or lacquered brass shade, ceramic with crackle glazed base, ABS

LED bulb included – replaceable (spare part).
 Magnetic USB A 200 cm / 79 inch charging cable included.

Spare parts available. Please refer to the 'Spare Parts' section.



SH8

Setago ^{JH27} Jaime Hayon 2019



Product no.	Product	Variant	Colli qty.	Lead time	Weight	PRICE EX. STATE TAX
133130A152	Portable lamp	Nude & Forest	2 pcs	Stock item	0.70 kg	225
133130A151	Portable lamp	Rust & Thunder	2 pcs	Stock item	0.70 kg	225
133130A150	Portable lamp	Maroon & Grape	2 pcs	Stock item	0.70 kg	225

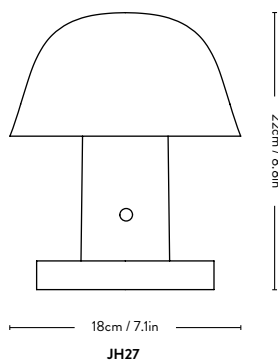
Technical Specification

G4 LED Bulb 3 Watt
 CRI: >80
 Colour temperature (Kelvin): 2800K
 Charging time: 8 hours
 Operating time in highest light setting: 10 hours
 Dimmability: 3 level touch dimmer on base 100% - 70% - 40%
 Battery: Replaceable (spare part)
 IP class: IP44 (This lamp is for indoors use only. It can be taken outdoors, but must be kept and stored indoors.)

Material: Moulded polycarbonate and brass.

LED bulb included - replaceable (spare part).
 Micro USB A 150 cm / 59 in charging cable included.

Spare parts available. Please refer to the 'Spare Parts' section.



Pivot ^{ATD7} & Tradition 2023



Product no.	Product	Variant	Colli qty.	Lead time	Weight	PRICE EX. STATE TAX
133277A357	Portable lamp	Rusty Mint	2 pcs	Stock item	1.60 kg	495
133277A264	Portable lamp	Blue Silver	2 pcs	Stock item	1.60 kg	495

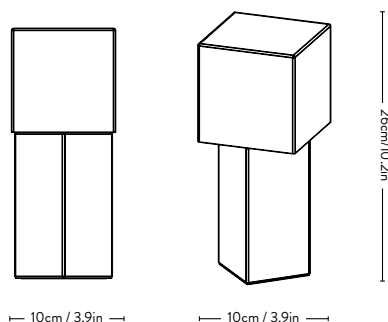
Technical Specification

G4 LED Bulb 3 Watt
 CRI: >80
 Colour temperature (kelvin): 2800K
 Charging time: 16 hours
 Operating time in highest light setting: 20 hours
 Dimmability: 3 level touch dimmer 100% - 70% - 40%
 Battery: Replaceable (spare part)
 IP class: IP44 (This lamp is for indoors use only. It can be taken outdoors, but must be kept and stored indoors.)

Material: Powder-coated steel & painted or chrome-plated steel

Magnetic USB A 200 cm / 79 in charging cable included.

Spare parts available. Please refer to the 'Spare Parts' section.



ATD7

Spare Parts

Family	Product code	Product no.	Product	Variant	Colli qty.	PRICE EX. STATE TAX	
Flowerpot Topan	VP1, VP2, VP7, VP10 VP6	135016	Canopy incl. ceiling bracket	White	1 pc	25	
		135017	Canopy incl. ceiling bracket	Black	1 pc	25	
		145109	Ceiling bracket for standard canopy		1 pc	17	
Flowerpot	VP1, VP2, VP6, VP7, VP10	133556	Logo ring + detail ring		1 pc	20	
		133557	Logo ring		1 pc	10	
	VP1, VP4	133606	Stand		1 pc	55	
	VP3	133607	Stand		1 pc	70	
		137592	Socket, Top part		1 pc	20	
		135449	O-ring for socket		1 pc	20	
		133558	Logo ring + top ball		1 pc	25	
	VP4	133561	Logo ring + screw thread		1 pc	35	
	VP10	135287	Stand		1 pc	45	
	VP12	137828	Stand		1 pc	55	
	Flowerpot Shades	VP1	145251A170	Lower shade	Black & White pattern	1 pc	90
145251A268			Lower shade	Brass-plated	1 pc	90	
145251A171			Lower shade	Cobalt Blue & Twilight Blue pattern	1 pc	90	
145251A180			Lower shade	Dark Plum	1 pc	70	
145251A208			Lower shade	Stone Blue	1 pc	70	
145251A179			Lower shade	Swim Blue	1 pc	70	
145251A181			Lower shade	Tangy Pink	1 pc	70	
VP1, VP4, VP8, VP12			145251A274	Lower shade	Chrome-plated	1 pc	90
		145251A218	Lower shade	Matt Black	1 pc	70	
		145251A568	Lower shade	Steel Blue	1 pc	70	
		145251A569	Lower shade	Ivory	1 pc	70	
		145251A570	Lower shade	Zesty Orange	1 pc	70	
		VP1, VP8	145251A209	Lower shade	Grey Beige	1 pc	70
145251A219			Lower shade	Matt Light Grey	1 pc	70	
145251A215			Lower shade	Mustard	1 pc	70	
145251A205			Lower shade	Signal Green	1 pc	70	
145251A182			Lower shade	Vermilion Red	1 pc	70	
Flowerpot Shades			VP1, VP4, VP8, VP12	145251A221	Lower shade	Matt White	1 pc
		145251A178		Lower shade	Cobalt Blue	1 pc	70
		VP2	145252A170	Lower shade	Black & White pattern	1 pc	205
	145252A171		Lower shade	Cobalt Blue & Twilight Blue pattern	1 pc	205	
	145252A209		Lower shade	Grey Beige	1 pc	135	
	145252A218		Lower shade	Matt Black	1 pc	135	

Spare Parts

Family	Product code	Product no.	Product	Variant	Colli qty.	PRICE EX. STATE TAX
	VP2	145252A221	Lower shade	Matt White	1 pc	135
		145252A208	Lower shade	Stone Blue	1 pc	135
		145252A182	Lower shade	Vermilion Red	1 pc	135
		145252A568	Lower shade	Steel Blue	1 pc	135
		145252A569	Lower shade	Ivory	1 pc	135
		145252A570	Lower shade	Zesty Orange	1 pc	135
Flowerpot Shades	VP3	145250A268	Shade	Brass-plated	1 pc	135
		145250A274	Shade	Chrome-plated	1 pc	135
		145250A178	Shade	Cobalt Blue	1 pc	115
		145250A180	Shade	Dark Plum	1 pc	115
		145250A209	Shade	Grey Beige	1 pc	115
		145250A218	Shade	Matt Black	1 pc	115
		145250A219	Shade	Matt Light Grey	1 pc	115
		145250A221	Shade	Matt White	1 pc	115
		145250A215	Shade	Mustard	1 pc	115
		145250A205	Shade	Signal Green	1 pc	115
		145250A208	Shade	Stone Blue	1 pc	115
		145250A179	Shade	Swim Blue	1 pc	115
		145250A181	Shade	Tangy Pink	1 pc	115
		145250A182	Shade	Vermilion Red	1 pc	115
		145250A568	Shade	Steel Blue	1 pc	115
		145250A569	Shade	Ivory	1 pc	115
		145250A570	Shade	Zesty Orange	1 pc	115
	VP7	145253A170	Lower shade	Black & White pattern	1 pc	180
		145253A178	Lower shade	Cobalt Blue	1 pc	115
		145253A171	Lower shade	Cobalt Blue & Twilight Blue pattern	1 pc	180
		145253A180	Lower shade	Dark Plum	1 pc	115
		145253A209	Lower shade	Grey Beige	1 pc	115
		145253A218	Lower shade	Matt Black	1 pc	115
		145253A219	Lower shade	Matt Light Grey	1 pc	115
		145253A221	Lower shade	Matt White	1 pc	115
		145253A215	Lower shade	Mustard	1 pc	115
		145253A205	Lower shade	Signal Green	1 pc	115
		145253A208	Lower shade	Stone Blue	1 pc	115
		145253A179	Lower shade	Swim Blue	1 pc	115
		145253A181	Lower shade	Tangy Pink	1 pc	115
		145253A182	Lower shade	Vermilion Red	1 pc	115

Spare Parts

Family	Product code	Product no.	Product	Variant	Colli qty.	PRICE EX. STATE TAX
	VP7	145253A568	Lower shade	Steel Blue	1 pc	115
		145253A569	Lower shade	Ivory	1 pc	115
		145253A570	Lower shade	Zesty Orange	1 pc	115
	VP10	145254A170	Lower shade	Black & White pattern	1 pc	70
		145254A268	Lower shade	Brass-plated	1 pc	70
		145254A274	Lower shade	Chrome-plated	1 pc	70
		145254A178	Lower shade	Cobalt Blue	1 pc	70
		145254A171	Lower shade	Cobalt Blue & Twilight Blue pattern	1 pc	70
		145254A180	Lower shade	Dark Plum	1 pc	70
		145254A209	Lower shade	Grey Beige	1 pc	70
		145254A568	Lower shade	Steel Blue	1 pc	70
		145254A569	Lower shade	Ivory	1 pc	70
		145254A570	Lower shade	Zesty Orange	1 pc	70
		145254A218	Lower shade	Matt Black	1 pc	70
		145254A219	Lower shade	Matt Light Grey	1 pc	70
Flowerpot Shades	VP10	145254A221	Lower shade	Matt White	1 pc	70
		145254A215	Lower shade	Mustard	1 pc	70
		145254A205	Lower shade	Signal Green	1 pc	70
		145254A208	Lower shade	Stone Blue	1 pc	70
		145254A179	Lower shade	Swim Blue	1 pc	70
		145254A181	Lower shade	Tangy Pink	1 pc	70
		145254A182	Lower shade	Vermilion Red	1 pc	70
Topan	VP13	146407A209	Shade	Grey Beige	1 pc	430
		146407A182	Shade	Vermilion red	1 pc	430
		146407A274	Shade	Chrome plated	1 pc	585
		146094	Base	Clear acrylic	1 pc	90
Topan	VP14	146411A209	Shade	Grey Beige	1 pc	495
		146411A182	Shade	Vermilion red	1 pc	495
		146411A274	Shade	Chrome plated	1 pc	655
		146095	Base	Clear acrylic	1 pc	135
Mist	AP17	154810	Base	Guatemala Verde	1 pc	
		154808	Base	Grigio Caldo	1pc	
		133274	Shade	Opal glass	1 pc	
	AP20	154806	Light fixture		1pc	
		146109	Shade	Opal glass	1pc	
Caret	MF1	133632A163	Shade	Dark Burgundy	1 pc	55
		133632A160	Shade	Silk Grey	1 pc	55

Spare Parts

Family	Product code	Product no.	Product	Variant	Colli qty.	PRICE EX. STATE TAX
Caret	MF1	133632A572	Shade	Antracite	1 pc	55
		133632A573	Shade	Forest	1 pc	55
		133644	Base	Dark Burgundy	1 pc	45
		133645	Base	Silk Grey	1 pc	45
		157244	Base	Antracite	1 pc	45
		157243	Base	Forest	1 pc	45
Como	SC53	133630A207	Shade	Stone Blue	1 pc	55
		133630A212	Shade	Red Brown	1 pc	55
		133630A232	Shade	Bronzed	1 pc	55
		133630A233	Shade	Black	1 pc	55
		136732A138	Shade	Brass	1 pc	90
		133630A166	Shade	Aluminium	1 pc	55
		133639	Base	Red Brown	1 pc	45
		133640	Base	Stone Blue	1 pc	45
		133641	Base	Black	1 pc	45
		133642	Base	Bronzed	1 pc	45
		133643	Base	Brass	1 pc	70
		144562	Base	Aluminium	1 pc	45
		Lucca	SC51	133516	2,5W LED incl. Base Pad	
133517	Battery incl. Base Pad			1 pc	55	
133520	Shade incl. Base Pad			1 pc	115	
Manhattan	SC52	133631	Shade	Canvas	1 pc	115
Pivot	ATD7	133627A357	Shade	Rusty Mint	1 pc	205
		133627A264	Shade	Blue Silver	1 pc	205
		133635	Base	Rusty Mint	1 pc	205
		133636	Base	Blue Silver	1 pc	205
Raku	SH8	136747A144	Shade	Brass	1 pc	205
		133628A172	Shade	Bronzed	1 pc	205
		133637	Base	Blue Green	1 pc	115
		133638	Base	Beige Grey	1 pc	115
Setago	JH27	133521	Battery for lamps with PO before 302503 / 305057		1 pc	35
		144563	Battery LG		1 pc	33
		133511	USB A to Magnetic cable		1 pc	25
		133506	Battery		1 pc	35
Caret	MF1	133505	G4 light bulb 1W		1 pc	25
Como	SC53					
Manhattan	SC52					
Raku	SH8					

Spare Parts

Family	Product code	Product no.	Product	Variant	Colli qty.	PRICE EX. STATE TAX
Lucca Setago	SC51 JH27	133512	USB A to USB B micro cable		1 pc	25
Pivot Setago	ATD7 JH27	133504	G4 light bulb 3W		1 pc	25

Maintenance & Care

We challenge convention to create products that rethink how we use materials and manufacturing techniques. We find beauty in products that can be created by the latest industrial processes as well as those that maintain techniques that have evolved over a long period of time. We strive for timeless beauty and quality that is made to last.

Find information about the materials and variants used in the collection as well as guidelines for daily care, cleaning and maintenance through the link below:

<https://www.andtradition.com/maintenance-and-care>

Colour Overview

	Flowerpot								Topan		Como		
	VP10	VP1	VP7	VP2	VP3	VP4	VP8	VP9	VP12	VP6	VP13	VP14	SC53
Matt White	•	•	•	•	•	•	•	•					
Matt Light Grey	•	•	•		•		•	•					
Matt Black	•	•	•	•	•	•	•	•	•	•	•	•	
Mustard	•	•	•		•		•	•					
Stone Blue	•	•	•	•	•			•					•
Red Brown													•
Grey Beige	•	•	•	•	•		•	•	•	•	•	•	
Signal Green	•	•	•		•		•	•					
Cobalt Blue	•	•	•		•			•	•				
Vermilion Red	•	•	•	•	•		•	•		•	•	•	
Tangy Pink	•	•	•		•			•					
Dark Plum	•	•	•		•			•					
Swim Blue	•	•	•		•			•					
Steel Blue	•	•	•	•	•	•	•	•	•				
Ivory	•	•	•	•	•			•					
Zesty Orange	•	•	•	•	•			•					
Cobalt Blue & Twilight Blue	•	•	•	•									
Black & White	•	•	•	•									

*Variations in colours might occur.

Colour Overview

	Utzon	Lucca	Caret
			
	JU1	SC51	MF1
Black		•	
White	•		
Silk Grey			•
Dark Burgundy	•		•
Antracite			•
Forest			•
Steel Blue	•		
Stone Grey	•		
Grey Beige	•		

Packaging Information

Product	Product code	Category	Height cm	Width cm	Depth cm	Weight	Colli qty.
Colette	ATD6	Table Lamp	18	40	54	3.00 kg	1 pc
Flowerpot	VP10	Pendant	20.5	20.5	15.7	0.98 kg	2 pcs
Flowerpot	VP1	Pendant	15	24.5	25	1.45 kg	2 pcs
Flowerpot	VP7	Pendant	45	45	28	3.95 kg	1 pc
Flowerpot	VP2	Pendant	31	53	53	5.00 kg	1 pc
Flowerpot	VP3	Table Lamp	45	29	26	4.80 kg	1 pc
Flowerpot	VP4	Table Lamp	40	25.5	25.5	1.85 kg	1 pc
Flowerpot	VP8	Wall Lamp	26	40	28	1.72 kg	1 pc
Flowerpot	VP9	Portable Lamp	36	42	33	3.90 kg	2 pcs
Flowerpot	VP12	Floor Lamp	28	128	39	11.00 kg	1 pc
Topan	VP6	Pendant	28.5	45.5	23.5	2.14 kg	2 pcs
Topan	VP13 - Shade	Table Lamp	28	23	23	1.40 kg	1 pc
Topan	VP13 - Base	Table Lamp	16.6	21.8	21.8	0.60 kg	1 pc
Topan	VP14 - Shade	Floor Lamp	28	23	23	1.40 kg	1 pc
Topan	VP14 - Base	Floor Lamp	31.6	21.8	21.8	1.05 kg	1 pc
Utzon Lamp	JU1	Pendant	25.5	24.5	24.5	1.60 kg	1 pc
Herman	SHY3-Shade	Table Lamp	18	32	32	1.9 kg	2 pcs
Herman	SHY3-Base	Table Lamp	20	21	34	2.3 kg	2 pcs
Mist	AP15	Pendant	33	33	23	2 kg	2 pcs
Mist	AP16	Pendant	45	45	30	2 kg	2 pcs
Mist	AP17-Shade	Table Lamp	35	48	48	4.2 kg	1 pc
Mist	AP17-Base	Table Lamp	35	18	18	8.3 kg	1 pc
Mist	AP20-Shade	Pendant	44	70	70	11.27 kg	1 pc
Mist	AP20-Fixture	Pendant	19.5	18	19.5	0.15 kg	1 pc
Mist	AP22	Wall Lamp	44.5	33.5	33.5	1.97 kg	1 pc
Lucca	SC51	Outdoor Portable Lamp	37	46	27	3.50 kg	2 pcs
Manhattan	SC52	Portable Lamp	33	18	18	1.25 kg	1 pc
Como	SC53	Portable Lamp	29	21	21	1.00 kg	1 pc
Caret	MF1	Portable Lamp	31	17.5	17.5	1.34 kg	2 pcs
Raku	SH8 - Brass	Portable Lamp	31	45	21	1.4 kg	2 pcs
Raku	SH8 - Bronzed	Portable Lamp	31	45	21	1.2 kg	2 pcs
Setago	JH27	Portable Lamp	23.5	46	30	4.00 kg	2 pcs
Pivot	ATD7	Portable Lamp	15	25	21	2 kg	2 pcs

General Terms & Conditions for Sales (B2B)

These general terms and conditions for sales ("GTCs") shall govern all purchase orders ("Order" or "Orders") placed with &Tradition A/S, CVR-nr. 18169304, Fredericiagade 21, 1310 Copenhagen K, Denmark ("&Tradition"), unless otherwise explicitly agreed in writing between the buyer ("Buyer") and &Tradition.

1. Prices

1.1. All prices in the price list are recommended resale prices.

1.2. &Tradition may, without prior notice and with immediate effect, change the recommended resale prices, net prices, and/or discount structures.

2. Quotations

2.1. Any quotation given by &Tradition will be valid 60 days from the date of issuance, unless otherwise stated.

3. Order Handling and Confirmation

3.1. Orders must be sent to info@andtradition.com or to the Buyer's assigned sales representative.

3.2. Orders shall not be binding on &Tradition until the Buyer has received &Tradition's written order confirmation.

3.3. The Buyer must review the order confirmation immediately upon receipt thereof and report any errors within 24 hours to &Tradition on info@andtradition.com or +45 3920 0233.

4. Changes and Cancellations of Orders

4.1. Orders can be changed or cancelled in accordance with below rules:

4.2. Stock products (standard collection)

4.2.1. For stock products, the Buyer may change or cancel the Order within 24 hours from receipt of the order confirmation. Changes or cancellations later than 24 hours are not possible.

4.3. Non-stock products (standard collection)

4.3.1. For non-stock products (standard collection), the Buyer may change or cancel the Order within 72 hours from receipt of the order confirmation.

4.4. Customized products

4.4.1. For customized products changes or cancellations are not possible.

4.5. If &Tradition, at its sole discretion, accepts a cancellation request in writing after the above-mentioned deadlines, the Buyer shall be subject to a cancellation fee determined by &Tradition.

5. Terms of Payment

5.1. Payment is 14 days net from invoice date.

5.2. Conditions of payment and payment procedures are stated in the order confirmation and invoice.

5.3. &Tradition reserves the right at any time to demand full or partial advance payment on Orders.

5.4. In case of late payment, interest will be charged at a rate of 1.5% per month or part thereof as of the due date.

5.5. Furthermore, &Tradition reserves the right to suspend a Buyer's account if the Buyer's balance is due, in which event no Orders or deliveries to the Buyer will be processed.

6. Reservation of Title

6.1. Delivered products remain the property of &Tradition and &Tradition will retain full title over the delivered products until the full invoiced amount including delivery charges as well as interest payable in arrears is fully paid. The Buyer shall be obliged to clearly mark the delivered products as being the property of &Tradition until full pay-

ment has been made.

6.2. Additional and specific terms on retention of title applicable to the Order may be set out in the quotation, order confirmation, delivery note and/or invoice.

7. Terms of Delivery

7.1. The shipment date of the Order will be stated on the order confirmation.

7.2. If the Order cannot be shipped in accordance with the stated delivery date, &Tradition will inform the Buyer without undue delay and inform the new shipment date and send an updated order confirmation to the Buyer. Only if the delay exceeds 3 months and is not due to force majeure, the Buyer is entitled to cancel the Order. The Buyer is not entitled to make further claims against &Tradition in cases of delay.

7.3. The lead times as stated in &Tradition's price list in force from time to time can only be used as indicative.

8. Delivery Costs

8.1. Delivery costs for the Order will be stated in the order confirmation.

8.2. Delivery costs are calculated on basis of the total Order amount and will be charged for each shipment.

9. Transportation

9.1. Standard Delivery

9.1.1. The standard delivery term is DAP (Incoterms 2020), and Orders will be shipped from &Tradition or its affiliated warehouses or directly from its suppliers. &Tradition will confirm on the order confirmation if DAP delivery is possible.

9.1.2. Delivery can only happen to shop or warehouse addresses during weekdays and normal working hours of the Buyer.

9.1.3. The Buyer must inform &Tradition of all relevant information related to the Buyer's ability to receive the Order, e.g. if the transportation must be carried out with a big or small lorry, with or without a fork lift, opening hours etc. Any failure to inform &Tradition thereof which consequently results in a failed delivery will be imposed a charge cf. 9.1.4.

9.1.4. In events where the Buyer needs a fixed delivery date and/or slot for the Order, redelivery due to failed delivery attempt of an Order, change of delivery address and/or change to Orders after the deadlines defined in these GTCs additional costs will be charged the Buyer.

9.1.5. A fixed delivery date and/or slot must be informed and accepted by &Tradition in advance of placing the Order and shall be considered agreed when stated in the order confirmation.

9.2. Non-standard Delivery

9.2.1. Where standard delivery is not possible or offered, the delivery term is EX-WORKS (Incoterms 2020) at a designated address, such to be accepted by &Tradition in advance.

9.2.2. EX-WORKS Orders will as standard be packed for SEA-freight. If the Buyer wishes the Order packed for AIR-freight, such must be informed and accepted by &Tradition in advance of placing the Order and shall be considered agreed when stated in the order confirmation.

9.2.3. The Order must be collected at the designated location as stated in the order confirmation no later than 30 days after the delivery date. Any delay in picking up the Order will be charged a fee per week of delay.

9.2.4. If the Order hasn't been collected within 60 days from the delivery date this will be deemed as if the Buyer has cancelled the Order, in which event the Buyer will be charged the total Order amount and other incurred costs related to the rearrangement of the packing and shipping of the Order.

General Terms & Conditions for Sales (B2B)

10. Inspection of Orders upon Delivery and Claims

10.1. The Buyer is obliged to inspect the Order upon delivery and check that the number of packages corresponds with the delivery note and that the packaging and products are free from visual defects.

10.2. If a delivery does not comply with the corresponding Order or delivery note, or if the products received appear to have been damaged during transportation, the Buyer must ensure to record a reservation on the delivery document upon receipt or alternatively reject receipt of the Order. If reservation is made subject to receipt of the Order, this must be as specific as possible and include photo documentation of all visual damages in accordance with the claims procedure outlined below. &Tradition shall have the right to reject all claims in connection with visual damages and/or quantity errors if the Buyer has not made a reservation on the delivery document.

10.3. Claim Procedure

10.3.1. The Buyer must notify &Tradition of any claims related to clause 10.2. no later than 2 calendar days after delivery of the Order by sending an e-mail to info@andtradition.com informing:

- Sales order number or invoice number;
- Purchase order no. (PO no.);
- &Tradition item number;
- Description of the claim; and
- Photo documentation supporting the claim.

10.3.2. Any claims made subject to the warranty provisions must be notified &Tradition without undue delay and include same documentation as outlined in 10.3.1. and send by e-mail to af-tersales@andtradition.com.

10.3.3. &Tradition reserves the right to reject any claims that do not meet the requirements as set out herein.

10.3.4. Insofar &Tradition approves the claim, &Tradition shall at its sole discretion determine its remedy whether to repair, replace the product or repay the purchase price. The Buyer is not entitled to make financial claims against &Tradition in cases of non-conforming products, unless where mandatory applicable law precludes or prohibits any exclusion or limitation of liability.

11. Warranty

11.1. &Tradition provides a two-year warranty on all standard products and five-year warranty on all standard furniture against defects in materials and workmanship. The warranties do not extend to situations and/or defects resulting from, without limitation, any of the following:

- Non-compliance with &Tradition's instructions for assembly, use, maintenance or care;
- Exposure to direct sunlight or heat from i.e. radiators that may fade and dry out surfaces on wood, fabrics or leather;
- Normal wear and tear, including without limitation deformation of foam, webbing, paper cord and rattan, or damage to upholstery; or
- Use of customer's own material (COM), other non-standard fabrics or leather not listed in &Tradition's pricelist on a specific product, or customer-supplied components.

11.2. The warranty will become void upon any alteration or repair of product on the Buyer's own initiative.

11.3. Tolerances

11.3.1. Variations naturally occurring in wood, leather, marble and other natural materials, as well as formation of wrinkles on leather and fabrics on upholstery products, are not considered defects in material or workmanship.

11.3.2. For products with LED light, reduction in light output may be expected over time.

11.4. Assembling and Maintenance Guides for Products

11.4.1. On www.andtradition.com instruction manuals, care and maintenance guides are available.

12. Product Compliance

12.1. &Tradition shall be responsible that any product delivered adheres to all laws and regulations applicable to the product within the delivery location at the time of delivery to the Buyer.

12.2. The Buyer undertakes not to export the products to countries where the products do not comply with the laws and regulations applicable to the products in respect to without limitation materials, labelling, packaging, technical requirements etc. The Buyer shall indemnify and hold &Tradition harmless for any damage, loss or claim resulting out of or in connection with the Buyer's breach thereof.

13. Force Majeure

13.1. &Tradition shall not be in breach nor liable for any delay in performing, or failure to perform, any of its obligations pursuant to the Order if such delay or failure results from events, circumstances or causes beyond its reasonable control.

14. Customer's Own Material (COM)

14.1. &Tradition may, at its sole discretion, accept COM orders where the Buyer wishes to use its own material, including but not limited to textiles, leather, or wood. Any such material must be tested and approved in writing by &Tradition. Approval solely confirms technical suitability for use on the selected product.

14.2. The Buyer is responsible for sourcing, delivering, and ensuring the quality, suitability, and quantity of any COM material supplied.

14.3. Lead time for COM products is calculated from receipt of the material. &Tradition is not liable for any delay resulting from issues related to the COM.

14.4. &Tradition does not guarantee compliance with laws, the alignment of patterns, or the final visual appearance.

14.5. Any warranty provided by &Tradition does not apply to COM products. The Buyer shall indemnify and hold harmless &Tradition against any claims, losses, damages, or costs arising out of or in connection with the use of COM.

15. Termination

15.1. Each party may terminate the agreement, including the trade relationship governed by these GTCs, for convenience by giving the other party one (1) month's prior written notice.

16. Governing Law and Jurisdiction

16.1. The Order, including these GTCs shall be governed by and construed in accordance with the laws of Denmark, excluding its conflicts of law provisions and the CISG.

16.2. Any disputes between the Parties arising out of or in connection with the Order and/or GTCs shall be settled by the City Court of Copenhagen.

17. All Rights Reserved

17.1. &Tradition is not responsible for any printing errors or price errors. &Tradition reserves the right to make changes or to discontinue any product or part thereof without prior notice.

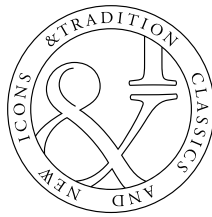
18. Contact Information

&Tradition A/S, CVR-nr. 18169304

Office: Fredericiagade 21, 1310 Copenhagen, Denmark

Showroom: Kronprinsessegade 4, 1306 Copenhagen K, Denmark, +45 3920 0233, info@andtradition.com

Last updated 15-05-2025



&Tradition
Fredericiagade 21
DK-1310 Copenhagen
info@andtradition.com
andtradition.com

©&Tradition 2025
#andtradition

&Tradition®

& Tradition

Objects
2026



Price list 2026 - Valid from February 4th
Currency: USD



Index

Objects


Collect | Cushion SC28 SC48
p. 5-6

Collect | Throw SC32 SC34 SC81
p. 7-9
SC33

Collect | Plate SC55
p. 10

Collect | Candleholder SC57-
p. 11 SC59

Collect | Glass & Carafe SC78 SC60 SC62
p. 12 SC61 SC63

Collect | Wine glass & Bowl SC79 SC82
p. 13 SC80 

Collect | Tray SC64-
p. 14 SC65

Collect | Hurricane SC83
p. 15

Collect | Rug SC84 SC85
p. 16

Momento Jug JH38
p. 17

Momento Candleholder JH39
p. 18

Momento Vase JH40 JH41 JH47
p. 19

Momento Throw JH46
p. 20

Capture SC74 SC76 SC77
p. 21

The Moor AP5 AP7 AP18 AP19 AP6 AP8
p. 22-25

Cruise AP11 AP12 AP23
p. 26

Amore SC49 SC50 SC56
p. 27

Sillon SH4 SH5 SH7
p. 28

Index

Votive	AV20
p. 29	

Index

Product information

Spare Parts

p. 30

Maintenance and Care

p. 31

Packaging Information

p. 32-33

Sales procedures for dealers

p. 34-35

Information regarding lead times

Kindly note that lead times are stated excluding transport from the &Tradition warehouse.

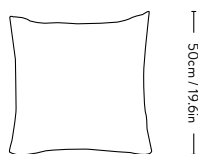
Collect | Cushion ^{SC28} Space Copenhagen 2020



Product no.	Product	Size	Textile	Variant	Colli qty.	Lead time	Weight	PRICE EX. STATE TAX
133173A231	Collect Cushion	50x50cm	Weave	Coco	1 pc	Stock item	1.24 kg	225
133173A230	Collect Cushion	50x50cm	Weave	Almond	1 pc	Stock item	1.24 kg	225
135248A443	Collect Cushion	50x50cm	Soft Boucle	Cloud	1 pc	Stock item	1.26 kg	205
135248A444	Collect Cushion	50x50cm	Soft Boucle	Moss	1 pc	Stock item	1.26 kg	205

Materials:

Weave cover	72% Cotton, 28% Wool.
Soft Boucle cover	56% Acrylic, 37% Cotton, 7% Recycled Polyester
Inner sham	100% cotton
Filling	50% feather, 50% down.



50cm / 19.6in

SC28

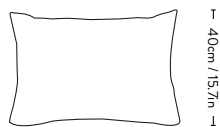
Collect | Cushion ^{SC48} Space Copenhagen 2022



Product no.	Product	Size	Textile	Variant	Colli qty.	Lead time	Weight	PRICE EX. STATE TAX
133172A231	Collect Cushion	40x60cm	Weave	Coco	1 pc	Stock item	2.00 kg	225
133172A230	Collect Cushion	40x60cm	Weave	Almond	1 pc	Stock item	2.00 kg	225
135249A443	Collect Cushion	40x60cm	Soft Boucle	Cloud	1 pc	Stock item	1.80 kg	205
135249A444	Collect Cushion	40x60cm	Soft Boucle	Moss	1 pc	Stock item	1.80 kg	205

Materials:

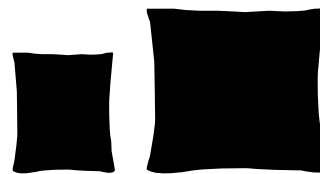
Weave cover	72% Cotton, 28% Wool.
Soft Boucle cover	56% Acrylic, 37% Cotton, 7% Recycled Polyester
Inner sham	100% cotton
Filling	50% feather, 50% down.



60cm / 23.6in

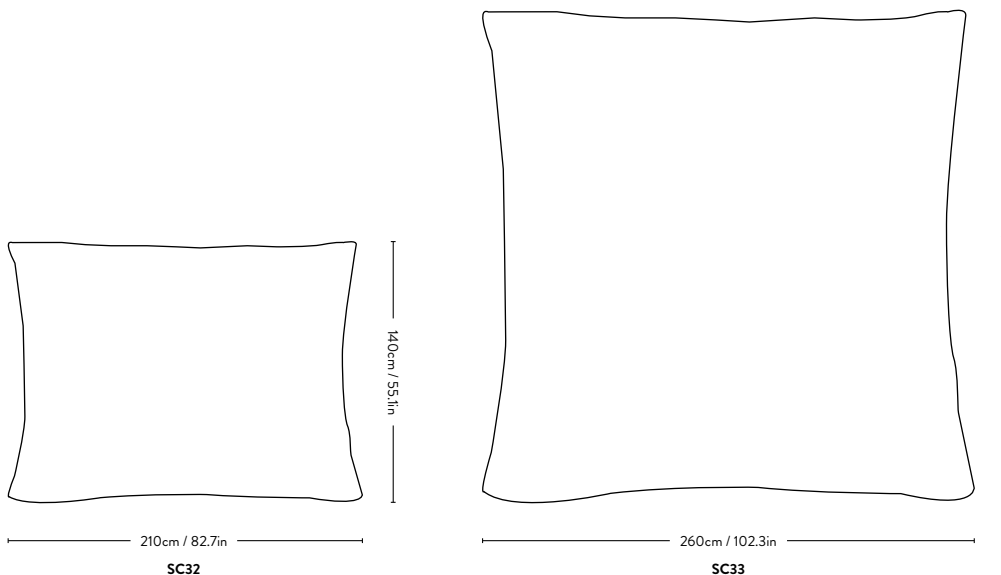
SC48

Collect | Cotton Throw ^{SC32 & SC33} Space Copenhagen 2020



Product no.	Product	Product code	Variant	Colli qty.	Lead time	Weight	PRICE EX. STATE TAX
133183A112	Collect Throw 140x210cm	SC32	Cloud & Milk	1 pc	Stock item	0.95 kg	180
133183A110	Collect Throw 140x210cm	SC32	Cloud & Slate	1 pc	Stock item	0.95 kg	180
133184A112	Collect Throw 260x260cm	SC33	Cloud & Milk	1 pc	Stock item	2.00 kg	340
133184A110	Collect Throw 260x260cm	SC33	Cloud & Slate	1 pc	Stock item	2.00 kg	340

Materials: 100% Organic Cotton.

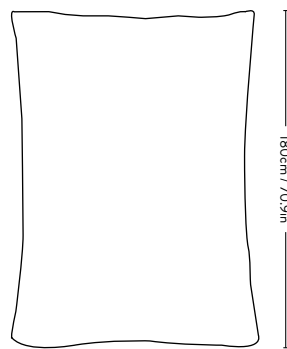


Collect | Woolen Throw ^{SC34} Space Copenhagen 2020



Product no.	Product	Variant	Colli qty.	Lead time	Weight	PRICE EX. STATE TAX
133185A112	Collect Woolen Throw 130x180cm	Cloud & Milk	1 pc	Stock item	0.68 kg	430

Materials: 100% extra fine Merino Wool.



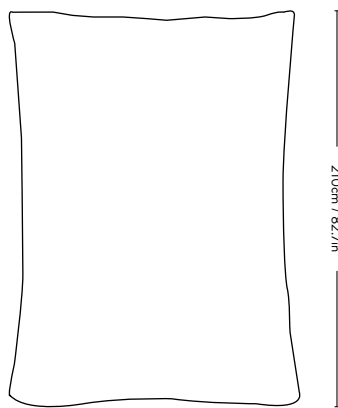
130cm / 51.2in
SC34

Collect | Throw ^{SC81} Space Copenhagen 2022



Product no.	Product	Variant	Colli qty.	Lead time	Weight	PRICE EX. STATE TAX
133186A096	Collect Throw 140x210cm	Moss & Cloud	1 pc	Stock item	1.10 kg	340
133186A095	Collect Throw 140x210cm	Sand & Cloud	1 pc	Stock item	1.10 kg	340

Materials: 60% Organic Cotton, 40% Linen



140cm / 55.1in

210cm / 82.7in

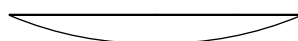
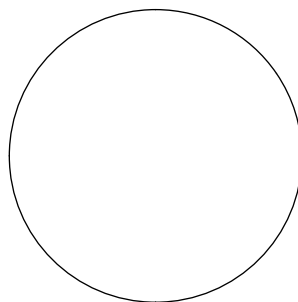
SC81

Collect | Plate^{SC55} Space Copenhagen 2020



Product no.	Product	Variant	Colli qty.	Lead time	Weight	PRICE EX. STATE TAX
133201A090	Collect Plate Ø50cm	Beige Travertine	1 pc	Stock item	8.50 kg	790

Materials: Unfilled beige travertine.



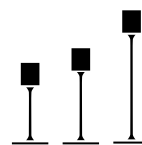
H: 5cm / 1.9in

Ø: 50cm / 19in

SC55

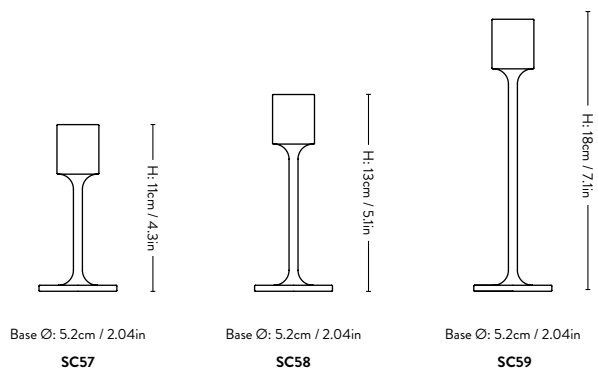
Collect | Candleholder SC57-SC59

Space Copenhagen 2021



Product no.	Product	Product code	Variant	Colli qty.	Lead time	Weight	PRICE EX. STATE TAX
133195A137	Collect Candleholder H:11cm	SC57	Brushed Brass	4 pcs	Stock item	0.20 kg	70
133196A137	Collect Candleholder H:13cm	SC58	Brushed Brass	4 pcs	Stock item	0.21 kg	80
133197A137	Collect Candleholder H:18cm	SC59	Brushed Brass	4 pcs	Stock item	0.22 kg	90

Materials: Brushed Brass.



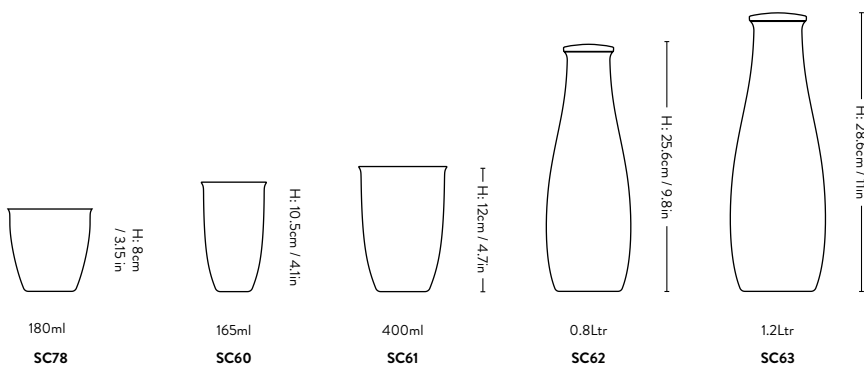
Collect | Glass & Carafe SC60-SC63 & SC78

Space Copenhagen 2021



Product no.	Product	Product code	Variant	Colli qty.	Lead time	Weight	PRICE EX. STATE TAX
133179A115	Collect Glass 2 pcs H: 8cm	SC78	Clear	4 sets	Stock item	0.18 kg	55
133175A115	Collect Glass 2 pcs H: 10.5cm	SC60	Clear	4 sets	Stock item	0.14 kg	55
133176A115	Collect Glass 2 pcs H: 12cm	SC61	Clear	4 sets	Stock item	0.20 kg	65
133177A115	Collect Carafe H: 25cm	SC62	Clear	2 pcs	Stock item	0.24 kg	80
133178A115	Collect Carafe H: 28cm	SC63	Clear	2 pcs	Stock item	0.34 kg	90

Materials: Mouth blown glass.



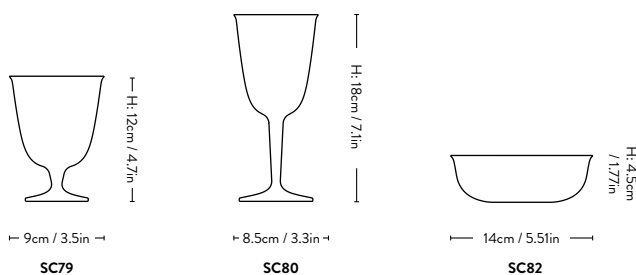
Collect | Wine glass & Bowl SC79, SC80 & SC82

Space Copenhagen 2022

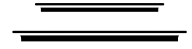


Product no.	Product	Product code	Variant	Colli qty.	Lead time	Weight	PRICE EX. STATE TAX
133181A115	Collect Wine glass 2 pcs H: 12cm	SC79	Clear	4 sets	Stock item	0.22 kg	90
133180A115	Collect Wine glass 2 pcs H: 18cm	SC80	Clear	4 sets	Stock item	0.23 kg	100
133182A115	Collect Bowl 1 pc H:4.5cm, Ø: 14cm	SC82	Clear	8 pcs	Stock item	0.20 kg	55

Materials: Mouth blown glass.



Collect | Tray SC64 & SC65 Space Copenhagen 2021

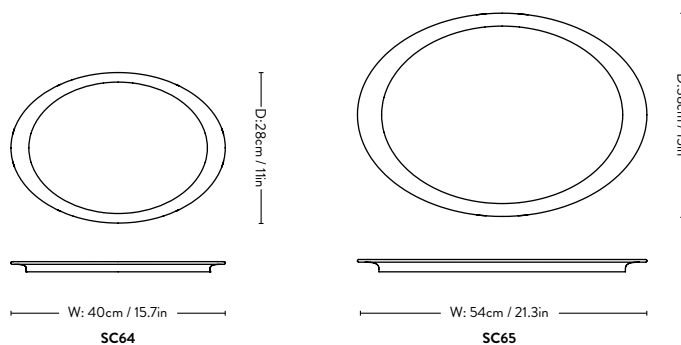


Product no.	Product	Product code	Variant	Colli qty.	Lead time	Weight	PRICE EX. STATE TAX
133202A250	Collect Tray W: 40cm x D: 28cm x H:2cm	SC64	Oak	1 pc	Stock item	0.35 kg	180
133202A252	Collect Tray W: 40cm x D: 28cm x H:2cm	SC64	Black Oak	1 pc	Stock item	0.35 kg	180
133203A250	Collect Tray W: 54cm x D: 38cm x H: 2.3cm	SC65	Oak	1 pc	Stock item	0.67 kg	295
133203A252	Collect Tray W: 54cm x D: 38cm x H: 2.3cm	SC65	Black Oak	1 pc	Stock item	0.67 kg	295

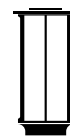


Made using FSC® certified wood, supporting responsible environmental, social and economical management of the world's forests. Visit www.fsc.org

Materials: Water Based Lacquered oak.



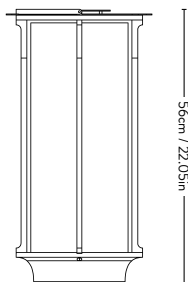
Collect | Hurricane ^{SC83} Space Copenhagen 2023



Product no.	Product	Variant	Colli qty.	Lead time	Weight	PRICE EX. STATE TAX
133242A260	Collect Hurricane	Matt Black	1 pc	Stock item	7.62kg	675

Material: Die-cast aluminium, galvanized iron and borosilicate glass

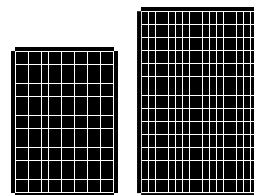
Spare parts available. Please refer to the 'Spare Parts' section.



W: 26cm / 10.24in
D: 30cm / 11.81in

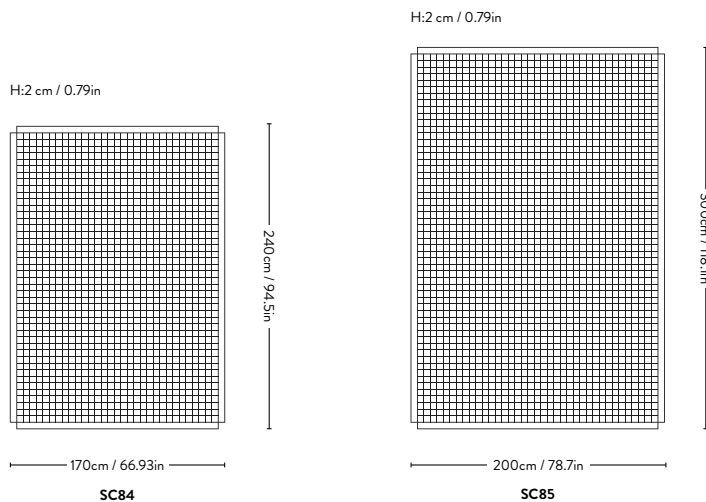
SC83

Collect | Rug^{SC84 & SC85} Space Copenhagen 2023



Product no.	Variant	Size	Product code	Colli qty.	Lead time	Weight	PRICE EX. STATE TAX
133278A370	Stone	170x240cm	SC84	1 pc	Stock item	9.38 kg	1.350
133278A105	Milk	170x240cm	SC84	1 pc	Stock item	9.38 kg	1.350
133278A272	Camel	170x240cm	SC84	1 pc	Stock item	9.38 kg	1.350
133279A370	Stone	200x300cm	SC85	1 pc	Stock item	13.8 kg	2.025
133279A105	Milk	200x300cm	SC85	1 pc	Stock item	13.8 kg	2.025
133279A272	Camel	200x300cm	SC85	1 pc	Stock item	13.8 kg	2.025
135310	Rug underlay	160x230cm		1 pc	Stock item	2.20 kg	115
135311	Rug underlay	190x290cm		1 pc	Stock item	3.34 kg	135

Materials: Wool, Recycled Polyester

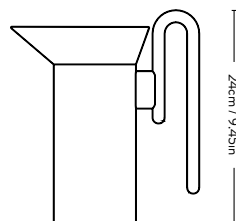


Momento Jug ^{JH38} Jaime Hayon 2023



Product no.	Product	Variant	Colli qty.	Lead time	Weight	PRICE EX. STATE TAX
133241A301	Jug	Ivory	4 pcs	Stock item	0.24 kg	270
133241A167	Jug	Polished Steel	4 pcs	Stock item	0.24 kg	270
133241A551	Jug NEW	Pistachio	4 pcs	Stock item	0.24 kg	270

Materials: Stainless steel.



D: 21.5cm / 8.46in
W: 11.6cm / 4.57in

JH38

Momento Candleholder ^{JH39}

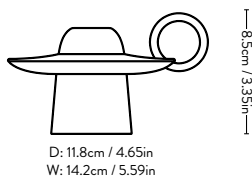
Jaime Hayon

2023



Product no.	Product	Variant	Colli qty.	Lead time	Weight	PRICE EX. STATE TAX
133243A256	Candleholder	Azure	4 pcs	Stock item	0.24kg	115
133243A302	Candleholder	Ivory	4 pcs	Stock item	0.24kg	115
133243A355	Candleholder	Red-Brown	4 pcs	Stock item	0.24kg	115
133243A351	Candleholder	Poppy Red	4 pcs	Stock item	0.24kg	115

Materials: Ceramic



JH39

Momento Vase JH40, JH41 & JH47

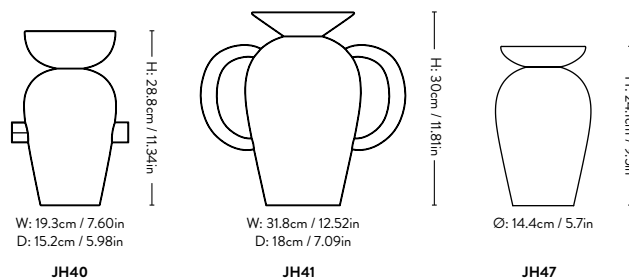
Jaime Hayon

2023



Product no.	Product	Product code	Variant	Colli qty.	Lead time	Weight	PRICE EX. STATE TAX
133244A283	Vase	JH40	Cream	2 pcs	Stock item	1.00 kg	205
133245A289	Vase	JH41	Emerald	2 pcs	Stock item	1.20 kg	315
146461A355	Vase NEW	JH47	Red brown	2pc	Stock item	1.07 kg	160

Materials: Ceramic



Momento Throw ^{JH46}

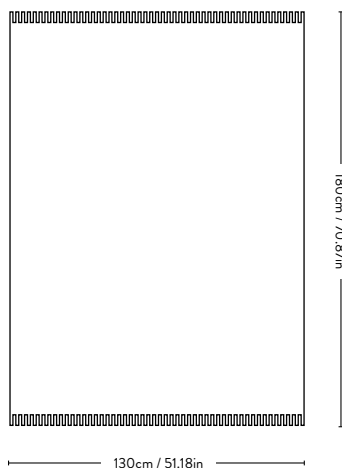
Jaime Hayon

2024



Product no.	Product	Variant	Colli qty.	Lead time	Weight	PRICE EX. STATE TAX
137829A495	Throw	Midnight Blue	1 pc	Stock item	0.95 kg	405
137829A496	Throw	Red Dawn	1 pc	Stock item	0.95 kg	405

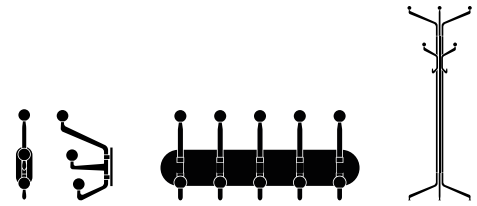
Materials: 100% Organic cotton



JH46

Capture SC74, SC76 & SC77

Space Copenhagen 2022

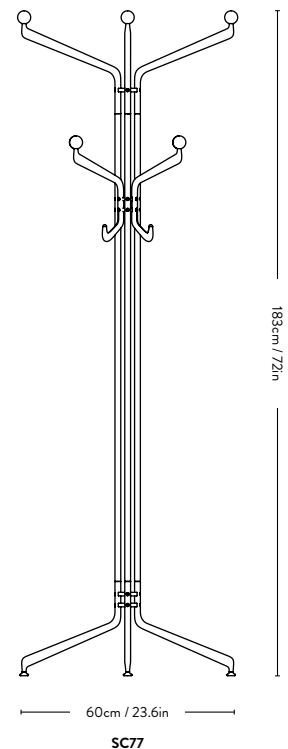
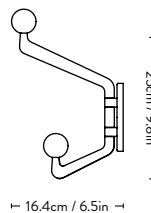
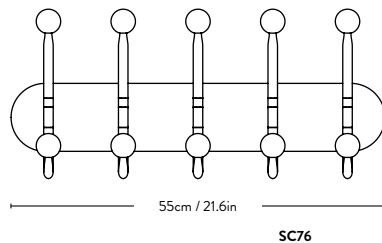
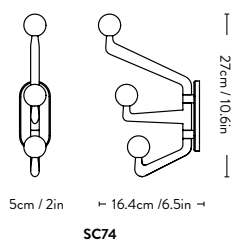


Product no.	Product	Product code	Variant	Colli qty.	Lead time	Weight	PRICE EX. STATE TAX
133217A040	Small Hook	SC74	Graphite / Colour knob	1 pc	Stock item	0.60 kg	180
133217A041	Small Hook	SC74	Graphite / Oak knob	1 pc	Stock item	0.60 kg	180
133219A040	Hanger	SC76	Graphite / Colour knob	1 pc	Stock item	2.00 kg	450
133219A041	Hanger	SC76	Graphite / Oak knob	1 pc	Stock item	2.00 kg	450
133220A040	Coat stand	SC77	Graphite / Colour knob	1 pc	Stock item	6.00 kg	1.125
133220A041	Coat stand	SC77	Graphite / Oak knob	1 pc	Stock item	6.00 kg	1.125



Graphite / Oak knob made using FSC® certified wood, supporting responsible environmental, social and economical management of the world's forests. Visit www.fsc.org

Materials: Powder coated aluminium and water based lacquered oak.

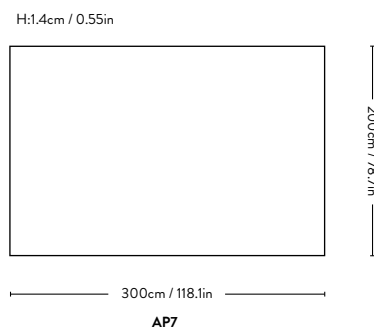
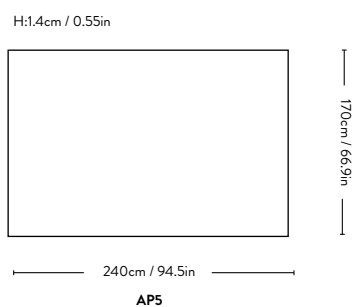


The Moor ^{AP5 & AP7} All the Way to Paris 2016



Product no.	Variant	Size	Product code	Colli qty.	Lead time	Weight	PRICE EX. STATE TAX
133221A033	Red Heather	170x240cm	AP5	1 pc	Stock item	25.00 kg	2.015
133221A036	Golden Brown	170x240cm	AP5	1 pc	Stock item	25.00 kg	2.015
133221A039	Beige Dew	170x240cm	AP5	1 pc	Stock item	25.00 kg	2.015
133221A035	Green Pine	170x240cm	AP5	1 pc	Stock item	25.00 kg	2.015
133221A034	Grey Blue Thunder	170x240cm	AP5	1 pc	Stock item	25.00 kg	2.015
133223A033	Red Heather	200x300cm	AP7	1 pc	Stock item	30.00 kg	3.040
133223A036	Golden Brown	200x300cm	AP7	1 pc	Stock item	30.00 kg	3.040
133223A039	Beige Dew	200x300cm	AP7	1 pc	Stock item	30.00 kg	3.040
133223A035	Green Pine	200x300cm	AP7	1 pc	Stock item	30.00 kg	3.040
133223A034	Grey Blue Thunder	200x300cm	AP7	1 pc	Stock item	30.00 kg	3.040
135310	Rug underlay	160x230cm		1 pc	Stock item	2.20 kg	115
135311	Rug underlay	190x290cm		1 pc	Stock item	3.34 kg	135

Material: Handloom-woven from 85% New Zealand wool & 15% viscose.

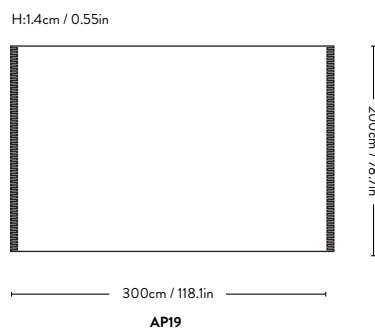
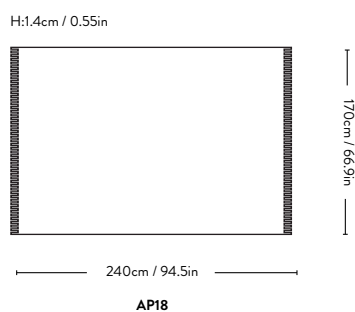


The Moor ^{AP18 & AP19} All the Way to Paris 2024



Product no.	Variant	Size	Product code	Colli qty.	Lead time	Weight	PRICE EX. STATE TAX
137830A033	Red Heather	170x240cm	AP18	1 pc	Stock item	14.00 kg	2.015
137830A039	Beige Dew	170x240cm	AP18	1 pc	Stock item	14.00 kg	2.015
137830A036	Golden Brown	170x240cm	AP18	1 pc	Stock item	14.00 kg	2.015
137830A035	Green Pine	170x240cm	AP18	1 pc	Stock item	14.00 kg	2.015
137830A034	Grey Blue Thunder	170x240cm	AP18	1 pc	Stock item	14.00 kg	2.015
137831A033	Red Heather	200x300cm	AP19	1 pc	Stock item	21.00 kg	3.040
137831A039	Beige Dew	200x300cm	AP19	1 pc	Stock item	21.00 kg	3.040
137831A036	Golden Brown	200x300cm	AP19	1 pc <td Stock item	21.00 kg	3.040	
137831A035	Green Pine	200x300cm	AP19	1 pc	Stock item	21.00 kg	3.040
137831A034	Grey Blue Thunder	200x300cm	AP19	1 pc	Stock item	21.00 kg	3.040
135310	Rug underlay	160x230cm		1 pc	Stock item	2.20 kg	115
135311	Rug underlay	190x290cm		1 pc	Stock item	3.34 kg	135

Material: 85% New Zealand Wool, 15% Viscose & 100% Cotton fringe

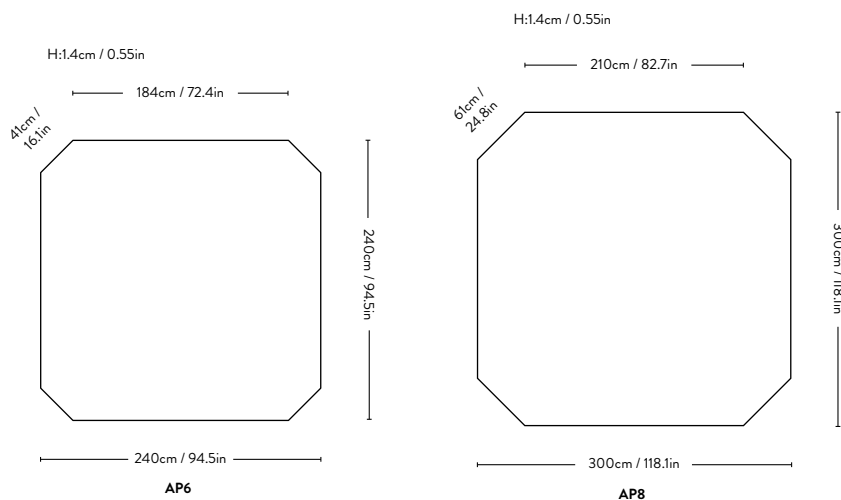


The Moor ^{AP6 & AP8} All the Way to Paris 2016



Product no.	Variant	Size	Product code	Colli qty.	Lead time	Weight	PRICE EX. STATE TAX
133222A033	Red Heather	240x240cm	AP6	1 pc	Stock item	30.00 kg	2.590
133222A036	Golden Brown	240x240cm	AP6	1 pc	Stock item	30.00 kg	2.590
133222A039	Beige Dew	240x240cm	AP6	1 pc	Stock item	30.00 kg	2.590
133222A035	Green Pine	240x240cm	AP6	1 pc	Stock item	30.00 kg	2.590
133222A034	Grey Blue Thunder	240x240cm	AP6	1 pc	Stock item	30.00 kg	2.590
133224A033	Red Heather	300x300cm	AP8	1 pc	Stock item	35.00 kg	4.050
133224A036	Golden Brown	300x300cm	AP8	1 pc	Stock item	35.00 kg	4.050
133224A039	Beige Dew	300x300cm	AP8	1 pc	Stock item	35.00 kg	4.050
133224A035	Green Pine	300x300cm	AP8	1 pc	Stock item	35.00 kg	4.050
133224A034	Grey Blue Thunder	300x300cm	AP8	1 pc	Stock item	35.00 kg	4.050
135310	Rug underlay	160x230cm		1 pc	Stock item	2.20 kg	115
135311	Rug underlay	190x290cm		1 pc	Stock item	3.34 kg	135

Material: Handloom-woven from 85% New Zealand wool & 15% viscose.



The Moor custom made version

All the Way to Paris

2016

Product	Product code	Colli qty.	Lead time	PRICE EX. STATE TAX
CUS Square	Square	1 pc	22-24 weeks	844

Material: Handloom-woven from 85% New Zealand wool & 15% viscose.

Minimum width: 1.4 meters
Maximum width: 3 meters

Minimum length: 2 meters
Maximum length: 10 meters

Minimum size 3 m²
Maximum size 30 m²

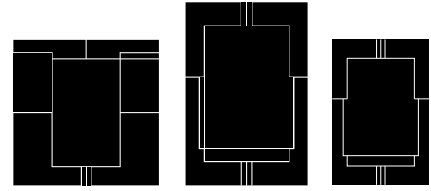
Minimum 20 m² is required to order non-standard colors

Please note a size and weight tolerance of +/- 3%

*The price is per square meter.

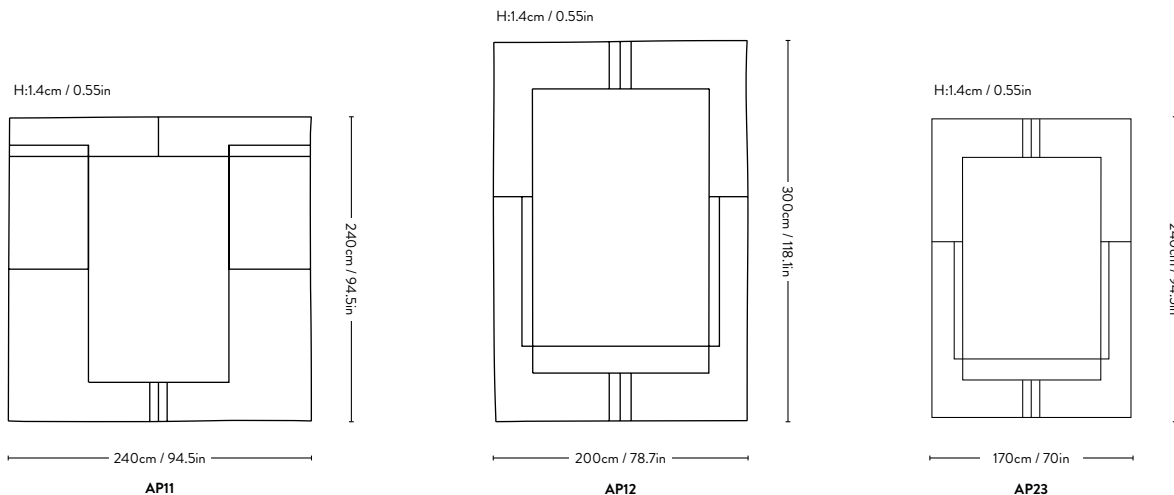
Cruise AP11, AP12 & AP23

All the Way to Paris 2022

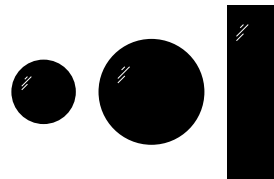


Product no.	Variant	Size	Product code	Colli qty.	Lead time	Weight	PRICE EX. STATE TAX
133225A032	Bombay Golden Brown	240x240cm	AP11	1 pc	Stock item	23.10 kg	3.040
133225A031	Aden Desert Beige	240x240cm	AP11	1 pc	Stock item	23.10 kg	3.040
133225A521	Colombo Grey Blue	240x240cm	AP11	1 pc	Stock item	23.10 kg	3.040
133226A032	Bombay Golden Brown	200x300cm	AP12	1 pc	Stock item	23.40 kg	3.490
133226A031	Aden Desert Beige	200x300cm	AP12	1 pc	Stock item	23.40 kg	3.490
133226A521	Colombo Grey Blue	200x300cm	AP12	1 pc	Stock item	23.40 kg	3.490
139751A031	Aden Desert Beige	240x170 cm	AP23	1 pc	Stock item	17.00 kg	2.365
139751A032	Bombay Golden Brown	240x170 cm	AP23	1 pc	Stock item	17.00 kg	2.365
139751A521	Colombo Grey Blue	240x170 cm	AP23	1 pc	Stock item	17.00 kg	2.365
135310	Rug underlay	160x230cm		1 pc	Stock item	2.20 kg	115
135311	Rug underlay	190x290cm		1 pc	Stock item	3.34 kg	135

Materials: New Zealand Wool 77%, Viscose 13%, Bamboo Silk 10%

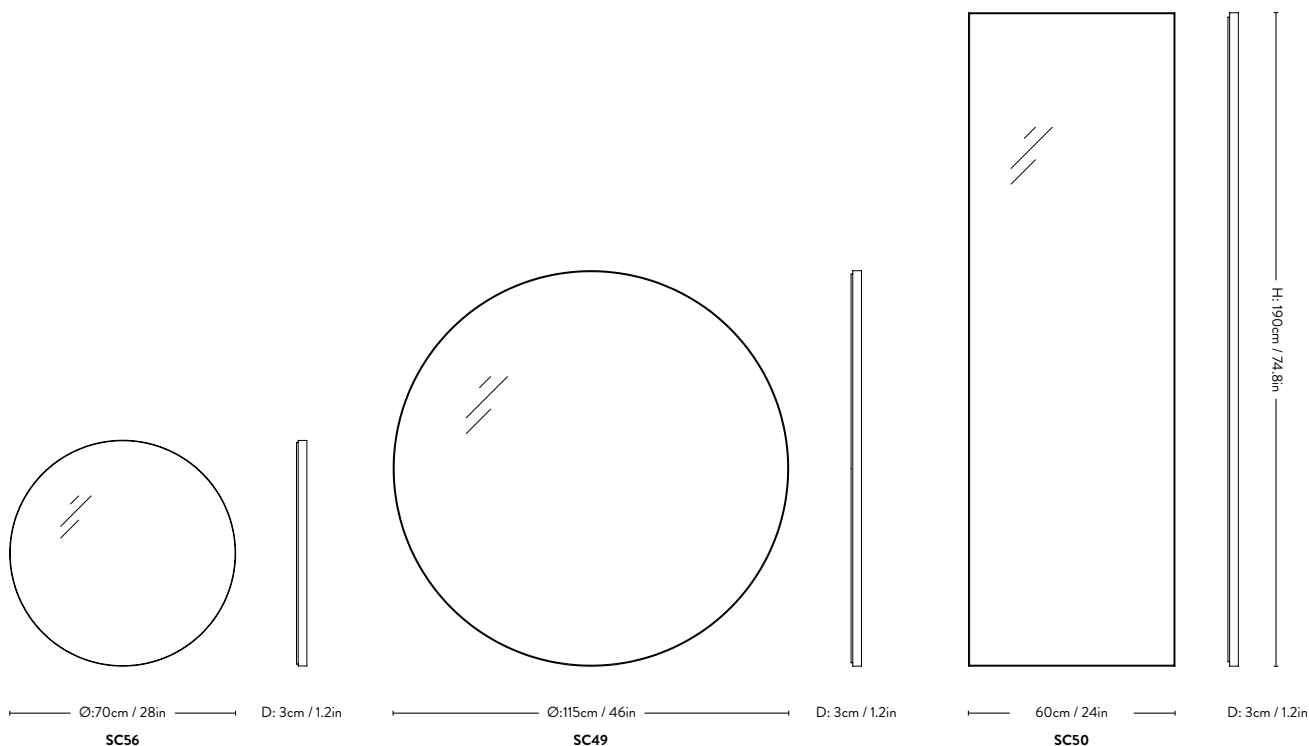


Amore SC49, SC50 & SC56 Space Copenhagen 2018



Product no.	Variant	Size	Product code	Colli qty.	Lead time	Weight	PRICE EX. STATE TAX
133232A023	Bronzed Brass	Ø70cm	SC56	1 pc	Stock item	10.00 kg	1.690
133233A023	Bronzed Brass	Ø115cm	SC49	1 pc	Stock item	23.50 kg	2.365
133231A023	Bronzed Brass	60x190cm	SC50	1 pc	Stock item	29.00 kg	2.815

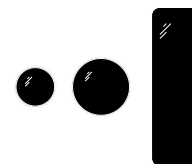
Material: Bronzed brass frame, silver coloured mirror, textile backing.



Sillon SH4, SH5 & SH7

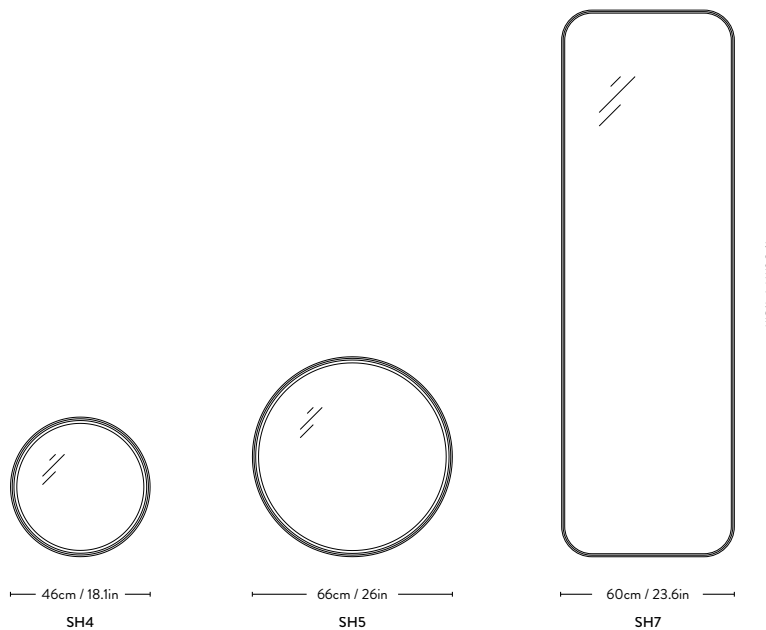
Sebastian Herkner

2019

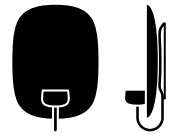


Product no.	Variant	Size	Product code	Colli qty.	Lead time	Weight	PRICE EX. STATE TAX
133234A140	Brass	Ø46cm	SH4	1 pc	Stock item	4.50 kg	565
133234A167	Stainless Steel	Ø46cm	SH4	1 pc	Stock item	4.50 kg	495
133235A140	Brass	Ø66cm	SH5	1 pc	Stock item	8.00 kg	945
133235A167	Stainless Steel	Ø66cm	SH5	1 pc	Stock item	8.00 kg	855
133237A140	Brass	190x60cm	SH7	1 pc	Stock item	28.50 kg	2.700
133237A167	Stainless Steel	190x60cm	SH7	1 pc	Stock item	28.50 kg	2.520

Material: Plated steel & silver coloured mirror

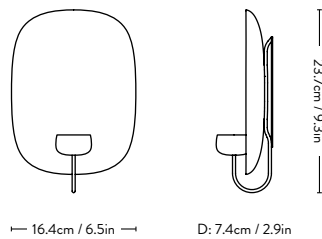


Votive ^{AV20} Anderssen & Voll 2022



Product no.	Product	Variant	Colli qty.	Lead time	Weight	PRICE EX. STATE TAX
133240A021	Votive	Brushed Brass	1 pc	Stock item	0.63 kg	270

Materials: Brass



AV20

NEW

Colette ^{ATD6} &Tradition 2022



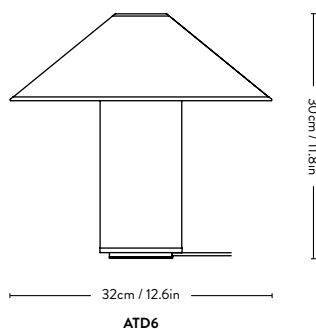
Product no.	Product	Variant	Cord	Colli qty.	Lead time	Weight	PRICE EX. STATE TAX
154799A157	Table lamp	White & Black	2.5m Black textile w. dimmer	1 pc	Stock item	1.60 kg	565
154799A156	Table lamp	White & Merlot	2.5m Black textile w. dimmer	1 pc	Stock item	1.60 kg	565

Technical Specification

E12 Max 40 Watt

Material: Plastic-lined polyester, aluminium, steel

Bulb is not included.



Flowerpot^{VP10} Verner Panton 1968



Product no.	Product	Variant	Cord	Colli qty.	Lead time	Weight	PRICE EX. STATE TAX
146378A221	Pendant	Matt White	3m White textile	2 pcs	Stock item	0.60 kg	340
146378A219	Pendant	Matt Light Grey	3m Grey textile	2 pcs	Stock item	0.60 kg	340
146378A218	Pendant	Matt Black	3m Black textile	2 pcs	Stock item	0.60 kg	340
146378A215	Pendant	Mustard	3m Mustard textile	2 pcs	Stock item	0.60 kg	340
146378A208	Pendant	Stone Blue	3m Stone Blue textile	2 pcs	Stock item	0.60 kg	340
146378A209	Pendant	Grey Beige	3m Grey Beige textile	2 pcs	Stock item	0.60 kg	340
146378A205	Pendant	Signal Green	3m Signal Green textile	2 pcs	Stock item	0.60 kg	340
146378A178	Pendant	Cobalt Blue	3m Cobalt Blue textile	2 pcs	Stock item	0.60 kg	340
146378A182	Pendant	Vermilion Red	3m Vermilion Red textile	2 pcs	Stock item	0.60 kg	340
146378A181	Pendant	Tangy Pink	3m Tangy Pink textile	2 pcs	Stock item	0.60 kg	340
146378A180	Pendant	Dark Plum	3m Dark Plum textile	2 pcs	Stock item	0.60 kg	340
146378A179	Pendant	Swim Blue	3m Swim Blue textile	2 pcs	Stock item	0.60 kg	340
146378A568	Pendant	Steel Blue NEW	3m Steel Blue textile	2 pcs	Stock item	0.60 kg	340
146378A569	Pendant	Ivory NEW	3m Ivory textile	2 pcs	Stock item	0.60 kg	340
146378A570	Pendant	Zesty Orange NEW	3m Zesty Orange textile	2 pcs	Stock item	0.60 kg	340
146378A274	Pendant	Chrome-plated	3m Black textile	2 pcs	Stock item	0.60 kg	475
146378A268	Pendant	Brass-plated	3m Black textile	2 pcs	Stock item	0.60 kg	475
146378A171	Pendant	Cobalt Blue & Twilight Blue Pattern	3m Cobalt Blue textile	2 pcs	Stock item	0.60 kg	475
146378A170	Pendant	Black & White Pattern	3m Black textile	2 pcs	Stock item	0.60 kg	475

Technical Specification

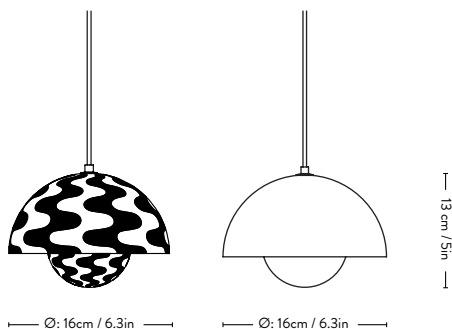
G9 Max 5 Watt LED

Material: Painted or plated steel.

Black textile cord: Black canopy
White and other colored textile cords: White canopy

Bulb is not included.
Canopy included.

Spare parts available. Please refer to the 'Spare Parts' section.



VP10

Flowerpot^{VP1} Verner Panton 1968



Product no.	Product	Variant	Cord	Colli qty.	Lead time	Weight	PRICE EX. STATE TAX
146371A221	Pendant	Matt White	3m White textile	2 pcs	Stock item	1.00 kg	405
146371A219	Pendant	Matt Light Grey	3m Grey textile	2 pcs	Stock item	1.00 kg	405
146371A218	Pendant	Matt Black	3m Black textile	2 pcs	Stock item	1.00 kg	405
146371A215	Pendant	Mustard	3m Mustard textile	2 pcs	Stock item	1.00 kg	405
146371A208	Pendant	Stone Blue	3m Stone Blue textile	2 pcs	Stock item	1.00 kg	405
146371A209	Pendant	Grey Beige	3m Grey Beige textile	2 pcs	Stock item	1.00 kg	405
146371A205	Pendant	Signal Green	3m Signal Green textile	2 pcs	Stock item	1.00 kg	405
146371A178	Pendant	Cobalt Blue	3m Cobalt Blue textile	2 pcs	Stock item	1.00 kg	405
146371A182	Pendant	Vermilion Red	3m Vermilion Red textile	2 pcs	Stock item	1.00 kg	405
146371A181	Pendant	Tangy Pink	3m Tangy Pink textile	2 pcs	Stock item	1.00 kg	405
146371A180	Pendant	Dark Plum	3m Dark Plum textile	2 pcs	Stock item	1.00 kg	405
146371A179	Pendant	Swim Blue	3m Swim Blue textile	2 pcs	Stock item	1.00 kg	405
146371A568	Pendant	Steel Blue NEW	3m Steel Blue textile	2 pcs	Stock item	1.00 kg	405
146371A569	Pendant	Ivory NEW	3m Ivory textile	2 pcs	Stock item	1.00 kg	405
146371A570	Pendant	Zesty Orange NEW	3m Zesty Orange textile	2 pcs	Stock item	1.00 kg	405
146371A274	Pendant	Chrome-plated	3m Black textile	2 pcs	Stock item	1.00 kg	565
146371A268	Pendant	Brass-plated	3m Black textile	2 pcs	Stock item	1.00 kg	565
146371A171	Pendant	Cobalt Blue & Twilight Blue Pattern	3m Cobalt Blue textile	2 pcs	Stock item	1.00 kg	565
146371A170	Pendant	Black & White Pattern	3m Black textile	2 pcs	Stock item	1.00 kg	565

Technical Specification

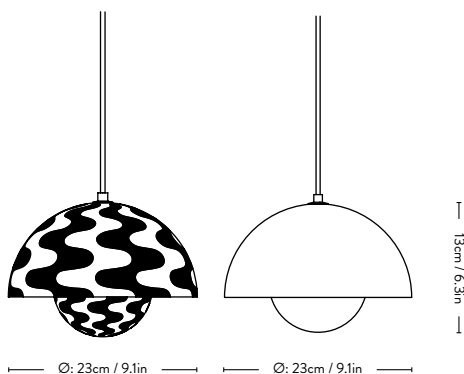
E26 Max 40 Watt

Material: Painted or plated steel.

Black textile cord: Black canopy
White and other colored textile cords: White canopy

Bulb is not included.
Canopy included.

Spare parts available. Please refer to the 'Spare Parts' section.



Flowerpot^{VP7} Verner Panton 1968



Product no.	Product	Variant	Cord	Colli qty.	Lead time	Weight	PRICE EX. STATE TAX
146376A221	Pendant	Matt White	3m White textile	1 pc	Stock item	2.40 kg	655
146376A219	Pendant	Matt Light Grey	3m Grey textile	1 pc	Stock item	2.40 kg	655
146376A218	Pendant	Matt Black	3m Black textile	1 pc	Stock item	2.40 kg	655
146376A215	Pendant	Mustard	3m Mustard textile	1 pc	Stock item	2.40 kg	655
146376A208	Pendant	Stone Blue	3m Stone Blue textile	1 pc	Stock item	2.40 kg	655
146376A209	Pendant	Grey Beige	3m Grey Beige textile	1 pc	Stock item	2.40 kg	655
146376A205	Pendant	Signal Green	3m Signal Green textile	1 pc	Stock item	2.40 kg	655
146376A178	Pendant	Cobalt Blue	3m Cobalt Blue textile	1 pc	Stock item	2.40 kg	655
146376A182	Pendant	Vermilion Red	3m Vermilion Red textile	1 pc	Stock item	2.40 kg	655
146376A181	Pendant	Tangy Pink	3m Tangy Pink textile	1 pc	Stock item	2.40 kg	655
146376A180	Pendant	Dark Plum	3m Dark Plum textile	1 pc	Stock item	2.40 kg	655
146376A179	Pendant	Swim Blue	3m Swim Blue textile	1 pc	Stock item	2.40 kg	655
146376A568	Pendant	Steel Blue NEW	3m Steel Blue textile	1 pc	Stock item	2.40 kg	655
146376A569	Pendant	Ivory NEW	3m Ivory textile	1 pc	Stock item	2.40 kg	655
146376A570	Pendant	Zesty Orange NEW	3m Zesty Orange textile	1 pc	Stock item	2.40 kg	655
146376A171	Pendant	Cobalt Blue & Twilight Blue Pattern	3m Cobalt Blue textile	1 pc	Stock item	2.40 kg	1.015
146376A170	Pendant	Black & White Pattern	3m Black textile	1 pc	Stock item	2.40 kg	1.015

Technical Specification

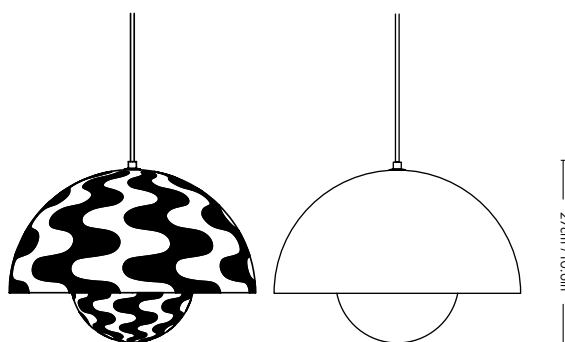
E26 Max 40 Watt

Material: Painted or plated steel.

Black textile cord: Black canopy
White and other colored textile cords: White canopy

Bulb is not included.
Canopy included.

Spare parts available. Please refer to the 'Spare Parts' section.

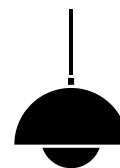


Ø: 37cm / 14.6in

Ø: 37cm / 14.6in

VP7

Flowerpot^{VP2} Verner Panton 1968



Product no.	Product	Variant	Cord	Colli qty.	Lead time	Weight	PRICE EX. STATE TAX
146372A221	Pendant	Matt White	3m White textile	1 pc	Stock item	3.40 kg	945
146372A218	Pendant	Matt Black	3m Black textile	1 pc	Stock item	3.40 kg	945
146372A209	Pendant	Grey Beige	3m Grey Beige textile	1 pc	Stock item	3.40 kg	945
146372A208	Pendant	Stone Blue	3m Stone Blue textile	1 pc	Stock item	3.40 kg	945
146372A182	Pendant	Vermilion Red	3m Vermilion Red textile	1 pc	Stock item	3.40 kg	945
146372A568	Pendant	Steel Blue NEW	3m Steel Blue textile	1 pc	Stock item	3.40 kg	945
146372A569	Pendant	Ivory NEW	3m Ivory textile	1 pc	Stock item	3.40 kg	945
146372A570	Pendant	Zesty Orange NEW	3m Zesty Orange textile	1 pc	Stock item	3.40 kg	945
146372A171	Pendant	Cobalt Blue & Twilight Blue Pattern	3m Cobalt Blue textile	1 pc	Stock item	3.40 kg	1.260
146372A170	Pendant	Black & White Pattern	3m Black textile	1 pc	Stock item	3.40 kg	1.260

Technical Specification

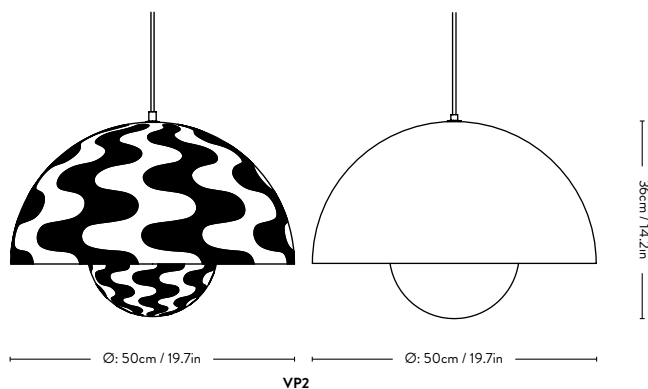
E26 Max 40 Watt

Material: Painted aluminium.

Black textile cord: Black canopy
White and other colored textile cords: White canopy

Bulb is not included.
Canopy included.

Spare parts available. Please refer to the 'Spare Parts' section.



Flowerpot ^{VP3} Verner Panton 1968



Product no.	Product	Variant	Cord	Colli qty.	Lead time	Weight	PRICE EX. STATE TAX
146373A221	Table lamp	Matt White	2m Clear PVC w. switch	1 pc	Stock item	3.50 kg	520
146373A219	Table lamp	Matt Light Grey	2m Clear PVC w. switch	1 pc	Stock item	3.50 kg	520
146373A218	Table lamp	Matt Black	2m Clear PVC w. switch	1 pc	Stock item	3.50 kg	520
146373A215	Table lamp	Mustard	2m Clear PVC w. switch	1 pc	Stock item	3.50 kg	520
146373A208	Table lamp	Stone Blue	2m Clear PVC w. switch	1 pc	Stock item	3.50 kg	520
146373A209	Table lamp	Grey Beige	2m Clear PVC w. switch	1 pc	Stock item	3.50 kg	520
146373A205	Table lamp	Signal Green	2m Clear PVC w. switch	1 pc	Stock item	3.50 kg	520
146373A178	Table lamp	Cobalt Blue	2m Clear PVC w. switch	1 pc	Stock item	3.50 kg	520
146373A182	Table lamp	Vermilion Red	2m Clear PVC w. switch	1 pc	Stock item	3.50 kg	520
146373A181	Table lamp	Tangy Pink	2m Clear PVC w. switch	1 pc	Stock item	3.50 kg	520
146373A180	Table lamp	Dark Plum	2m Clear PVC w. switch	1 pc	Stock item	3.50 kg	520
146373A179	Table lamp	Swim Blue	2m Clear PVC w. switch	1 pc	Stock item	3.50 kg	520
146373A568	Table lamp	Steel Blue NEW	2m Clear PVC w. switch	1 pc	Stock item	3.50 kg	520
146373A569	Table lamp	Ivory NEW	2m Clear PVC w. switch	1 pc	Stock item	3.50 kg	520
146373A570	Table lamp	Zesty Orange NEW	2m Clear PVC w. switch	1 pc	Stock item	3.50 kg	520
146373A274	Table lamp	Chrome-plated	2m Clear PVC w. switch	1 pc	Stock item	3.50 kg	790
146373A268	Table lamp	Brass-plated	2m Clear PVC w. switch	1 pc	Stock item	3.50 kg	790

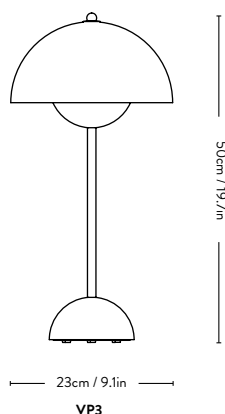
Technical Specification

E26 Max 40 Watt

Material: Painted or plated steel.

Bulb is not included.

Spare parts available. Please refer to the 'Spare Parts' section.



Flowerpot^{VP4} Verner Panton 1968



Product no.	Product	Variant	Cord	Colli qty.	Lead time	Weight	PRICE EX. STATE TAX
146374A221	Table lamp	Matt White	2m White textile w. switch	1 pc	Stock item	1.30 kg	520
146374A218	Table lamp	Matt Black	2m Black textile w. switch	1 pc	Stock item	1.30 kg	520
146374A568	Table lamp	Steel Blue NEW	2m Black textile w. switch	1 pc	Stock item	1.30 kg	520
146374A203	Table lamp	Chrome-plated	2m Black textile w. switch	1 pc	Stock item	1.30 kg	790

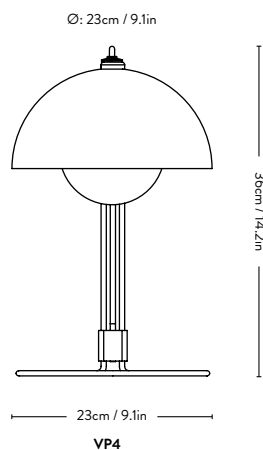
Technical Specification

E26 Max 40 Watt

Material: Painted or plated steel.

Bulb is not included.

Spare parts available. Please refer to the 'Spare Parts' section.



Flowerpot^{VP8} Verner Panton 1968



Product no.	Product	Variant	Cord	Colli qty.	Lead time	Weight	PRICE EX. STATE TAX
146377A221	Wall lamp	Matt White	2m White textile	1 pc	Stock item	1.30 kg	565
146377A218	Wall lamp	Matt Black	2m Black textile	1 pc	Stock item	1.30 kg	565
146377A219	Wall lamp	Matt Light Grey	2m Grey textile	1 pc	Stock item	1.30 kg	565
146377A215	Wall lamp	Mustard	2m Mustard textile	1 pc	Stock item	1.30 kg	565
146377A209	Wall lamp	Grey Beige	2m Grey Beige textile	1 pc	Stock item	1.30 kg	565
146377A182	Wall lamp	Vermilion Red	2m Vermilion Red textile	1 pc	Stock item	1.30 kg	565
146377A205	Wall lamp	Signal Green	2m Signal Green textile	1 pc	Stock item	1.30 kg	565
146377A568	Wall lamp	Steel Blue NEW	2m Steel Blue textile	1 pc	Stock item	1.30 kg	565
146377A203	Wall lamp	Chrome-plated	2m Black Textile	1 pc	Stock item	1.30 kg	835

Technical Specification

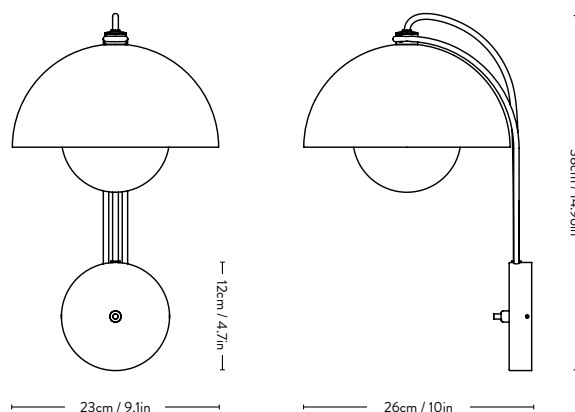
E26 Max 40 Watt

Material: Painted or plated steel

Flowerpot VP8 is available as a plug-in (using the existing power cord) or hardwired (installed directly to the power outlet).

Bulb is not included.

Spare parts available. Please refer to the 'Spare Parts' section.



VP8

Flowerpot ^{VP9} Verner Panton 1968



Product no.	Product	Variant	Colli qty.	Lead time	Weight	PRICE EX. STATE TAX
133093A221	Portable lamp	Matt White	2 pcs	Stock item	0.83 kg	315
133093A219	Portable lamp	Matt Light Grey	2 pcs	Stock item	0.83 kg	315
133093A218	Portable lamp	Matt Black	2 pcs	Stock item	0.83 kg	315
133093A215	Portable lamp	Mustard	2 pcs	Stock item	0.83 kg	315
133093A209	Portable lamp	Grey Beige	2 pcs	Stock item	0.83 kg	315
133093A208	Portable lamp	Stone Blue	2 pcs	Stock item	0.83 kg	315
133093A205	Portable lamp	Signal Green	2 pcs	Stock item	0.83 kg	315
133093A178	Portable lamp	Cobalt Blue	2 pcs	Stock item	0.83 kg	315
133093A182	Portable lamp	Vermilion Red	2 pcs	Stock item	0.83 kg	315
133093A181	Portable lamp	Tangy Pink	2 pcs	Stock item	0.83 kg	315
133093A180	Portable lamp	Dark Plum	2 pcs	Stock item	0.83 kg	315
133093A179	Portable lamp	Swim Blue	2 pcs	Stock item	0.83 kg	315
133093A568	Portable lamp	Steel Blue NEW	2 pcs	Stock item	0.83 kg	315
133093A569	Portable lamp	Ivory NEW	2 pcs	Stock item	0.83 kg	315
133093A570	Portable lamp	Zesty Orange NEW	2 pcs	Stock item	0.83 kg	315
133093A268	Portable lamp	Brass-Plated	2 pcs	Stock item	0.83 kg	450
133093A203	Portable lamp	Chrome-Plated	2 pcs	Stock item	0.83 kg	450

Material: Lacquered polycarbonate (PC) and steel

LED board included - replaceable (spare part).

Magnetic USB A 200 cm / 79 inch charging cable included.

Spare parts available. Please refer to the 'Spare Parts' section.

Technical Specification

3 Watt LED board

CRI: >80

Colour temperature (Kelvin): 2700K

Charging time: 8 hours

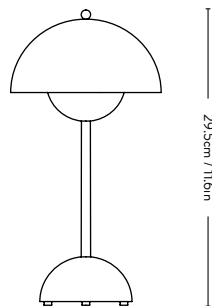
Operating time in highest light setting: 10 hours

Dimmability: 3 level touch dimmer 100% - 50% - 20%

Battery: Replaceable (spare part)

IP class: IP44

(This lamp is for indoors use only. It can be taken outdoors, but must be kept and stored indoors.)



Ø:9.6cm / 3.8in
VP9

Flowerpot^{VP12} Verner Panton 1969



Product no.	Product	Variant	Cord	Colli qty.	Lead time	Weight	PRICE EX. STATE TAX
146379A178	Floor lamp	Cobalt Blue	2m Black textile cord w. switch	1 pc	Stock item	5.50 kg	1.080
146379A209	Floor lamp	Grey Beige	2m Black textile cord w. switch	1 pc	Stock item	5.50 kg	1.080
146379A568	Floor lamp	Steel Blue NEW	2m Black textile cord w. switch	1 pc	Stock item	5.50 kg	1.080
146379A218	Floor lamp	Matt Black	2m Black textile cord w. switch	1 pc	Stock item	5.50 kg	1.080
146379A274	Floor lamp	Chrome-plated	2m Black textile cord w. switch	1 pc	Stock item	5.50 kg	1.350

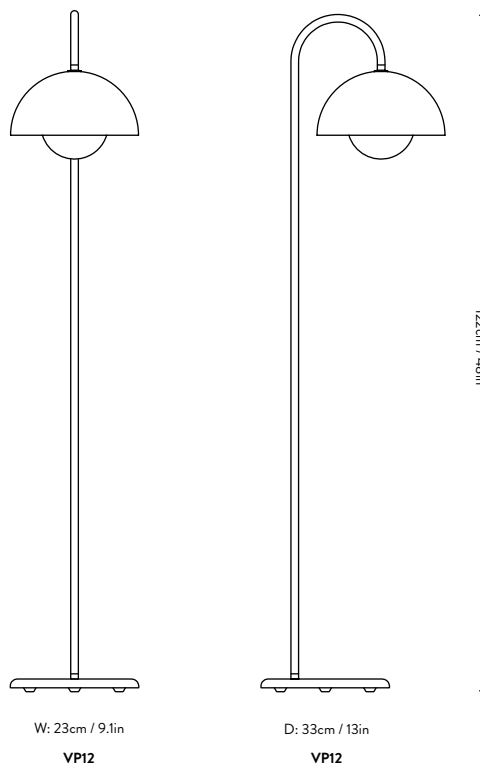
Technical Specification

E26 Max 40 Watt

Material: Painted or plated steel.

Bulb is not included.

Spare parts available. Please refer to the 'Spare Parts' section.



Topan ^{VP6} Verner Panton 1959



Product no.	Product	Variant	Cord	Colli qty.	Lead time	Weight	PRICE EX. STATE TAX
146375A218	Pendant	Matt Black	3m Black textile	2 pcs	Stock item	0.70 kg	405
146375A182	Pendant	Vermilion Red	3m Vermilion Red textile	2 pcs	Stock item	0.70 kg	405
146375A209	Pendant	Grey Beige	3m Grey Beige textile	2 pcs	Stock item	0.70 kg	405
146375A274	Pendant	Chrome-plated	3m Black textile	2 pcs	Stock item	0.70 kg	565

Technical Specification

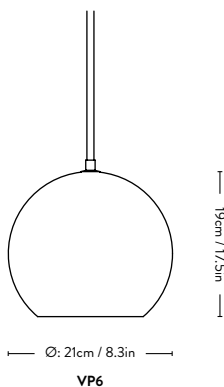
E26 Max 30 Watt

Material: Lacquered or plated aluminium.

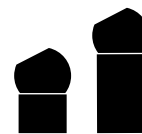
Black textile cord: Black canopy
White and other colored textile cords: White canopy

Bulb is not included.
Canopy included.

Spare parts available. Please refer to the 'Spare Parts' section.



Topan VP13 & VP14 Verner Panton 1959



Product no.	Product	Product code	Variant	Cord	Colli qty.	Lead time	Weight	PRICE EX. STATE TAX
146380A182	Table lamp	VP13	Vermilion Red	3m Vermilion Red textile	2 pcs	Stock item	1.16 kg	520
146380A209	Table lamp	VP13	Grey Beige	3m Grey Beige textile	2 pcs	Stock item	1.16 kg	520
146380A274	Table lamp	VP13	Chrome-plated	3m Black textile	2 pcs	Stock item	1.16 kg	675
146381A182	Table lamp	VP14	Vermilion Red	3m Vermilion Red textile	2 pcs	Stock item	1.55 kg	630
146381A209	Table lamp	VP14	Grey Beige	3m Grey Beige textile	2 pcs	Stock item	1.55 kg	630
146381A274	Table lamp	VP14	Chrome-plated	3m Black textile	2 pcs	Stock item	1.55 kg	790

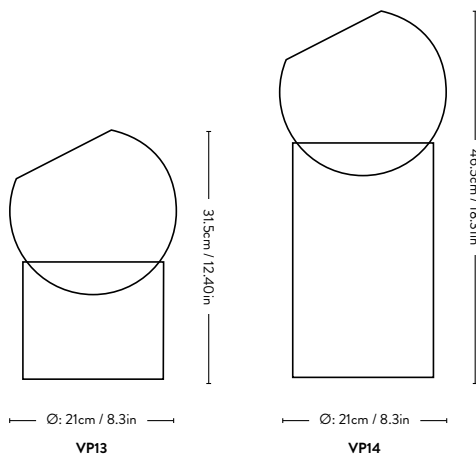
Technical Specification

E26 Max 12W LED

Material: Acrylic base, Aluminium shade, textile cord.

Bulb is not included.

Spare parts available. Please refer to the 'Spare Parts' section.



NEW

Utzon^{JU1} Jørn Utzon 1947



Product no.	Product	Variant	Cord	Colli qty.	Lead time	Weight	PRICE EX. STATE TAX
147619A325	Pendant	Matt White	4m White textile	2 pcs	Stock item	1.40 kg	450
147619A574	Pendant	Dark Burgundy	4m Dark Burgundy textile	2 pcs	Stock item	1.40 kg	495
147619A575	Pendant	Stone Grey	4m Stone Grey textile	2 pcs	Stock item	1.40 kg	495
147619A209	Pendant	Grey Beige	4m Grey Beige textile	2 pcs	Stock item	1.40 kg	495
147619A369	Pendant	Steel Blue	4m Black textile	2 pcs	Stock item	1.40 kg	495
147619A141	Pendant	Brass-plated	4m Black textile	2 pcs	Stock item	1.40 kg	855

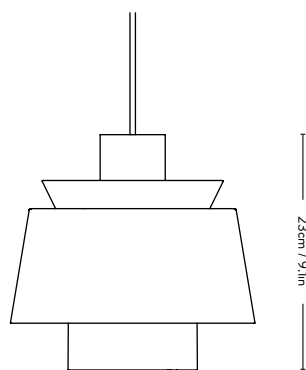
Technical Specification

E26 Max 40 Watt

Material: Lacquered or plated steel.

Black textile cord: Black canopy
White textile cords: White canopy

Bulb is not included.
Canopy included.



Ø: 22cm / 8.7in

JU1

NEW

Herman SHY3 Signe Hytte 2022



Product no.	Product	Variant	Cord	Colli qty.	Lead time	Weight	PRICE EX. STATE TAX
154800A125	Table lamp	Opal glass w. Walnut & Cream Marble	2m Black textile	2 pcs	Stock item	2.10 kg	675



The mark of responsible forestry

Made using FSC® certified wood, supporting responsible environmental, social and economical management of the world's forests. Visit www.fsc.org

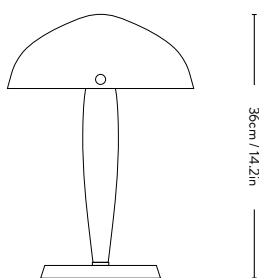
Technical Specification

E12 Max 25 Watt

Material: Opal glass, walnut & marble.

Bulb is not included.

Spare parts available. Please refer to the 'Spare Parts' section.



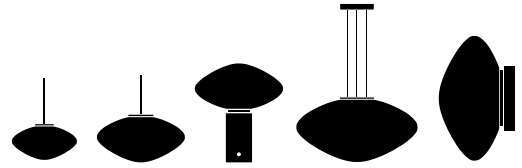
25cm / 9.8in

SHY3

NEW

Mist AP15-AP17, AP20 & AP22

All the Way to Paris 2023



Product no.	Product	Product code	Size	Variant	Cord	Colli qty.	Lead time	Weight	PRICE EX. STATE TAX
154803A324	Pendant	AP15	Ø:25 x H:13 cm	Opal Glass	3m White textile	1 pc	Stock item	1.30 kg	565
154804A324	Pendant	AP16	Ø:37 x H:20 cm	Opal Glass	3m White textile	1 pc	Stock item	2.00 kg	855
154807A324	Table lamp	AP17	Ø:37 x H:41 cm	Guatemala Verde w. Opal glass	2.5m Black textile	1 pc	Stock item	6.20 kg	1.080
154809A324	Table lamp	AP17	Ø:37 x H:41 cm	Grigio Caldo w. Opal Glass	2.5m Black textile	1 pc	Stock item	6.20 kg	1.080
154805A324	Pendant	AP20	Ø:56 x H:29 cm	Opal Glass	6m White textile	1 pc	Stock item	7.00 kg	1.800
156112A324	Wall lamp	AP22	Ø:25 x D:15 cm	Opal Glass		1 pc	Stock item	1.50 kg	565

Technical Specification

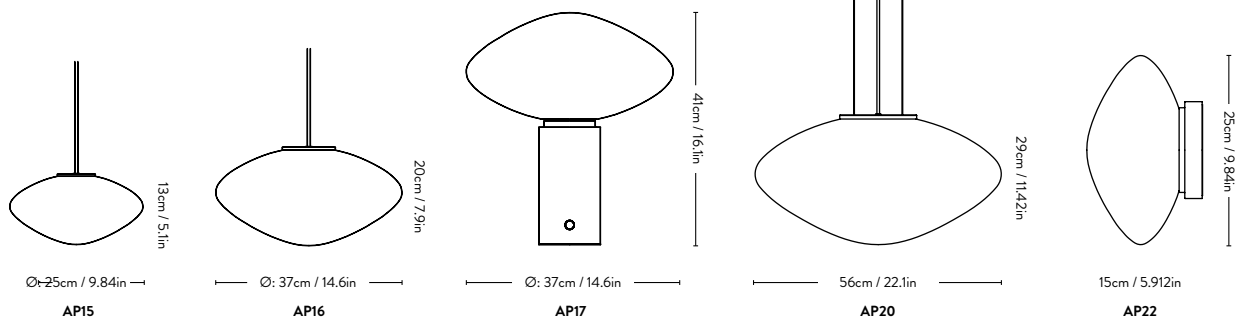
AP15: G9 Max 20 Watt
AP16: E12 Max 40 Watt
AP17: E12 Max 40 Watt, Dimmability: Dimmer on base
AP20: E26 Max 12 W LED
AP22: G9 Max. 5 Watt (not included)
 Indoor/outdoor - IP44
 Hardwired (installed directly to the power outlet).

Material:

AP15, AP16, AP20, AP22: Mouth-blown glass & aluminium
AP17: Mouth-blown glass & marble

Bulb is not included.
 White canopy is included for pendants.

Spare parts available. Please refer to the 'Spare Parts' section.



Lucca^{SC51} Space Copenhagen 2020



Product no.	Product	Variant	Colli qty.	Lead time	Weight	PRICE EX. STATE TAX
133163A127	Portable lamp	Black	2 pcs	Stock item	0.90 kg	270

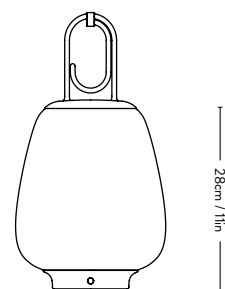
Technical Specification

2.5 Watt LED Board
 CRI: >80
 Colour temperature (Kelvin): 2700K
 Charging time: 8 hours
 Operating time in highest light setting: 12 hours
 Dimmability: 3 level touch dimmer on base 100% - 50% - 20%
 Battery: Replaceable (spare part)
 IP class: IP44 (This lamp works indoors and outdoors. It should be charged indoors, but can be left outside. Ensure the micro USB lid is closed to prevent water damage.)

Material: Satinised opal glass, powder-coated steel, brass.

LED board included – replaceable (spare part).
 Micro USB A 200 cm / 79 in charging cable included.

Spare parts available. Please refer to the 'Spare Parts' section.



16cm / 6.30in
 SC51

Manhattan ^{SC52} Space Copenhagen 2020



Product no.	Product	Variant	Colli qty.	Lead time	Weight	PRICE EX. STATE TAX
133164A119	Portable lamp	Bronzed	2 pcs	Stock item	0.50 kg	340

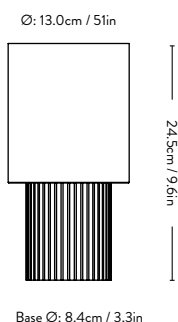
Technical Specification

G4 LED Bulb 1 Watt
 CRI: >85
 Colour temperature (Kelvin): 2700K
 Charging time: 1 battery 3.5 hours – 2 batteries 6 hours
 Operating time in highest light setting:
 1 battery 11 hours – 2 batteries 20 hours
 Dimmability: 3 level touch dimmer on base 100% - 70% - 40%
 Battery: Delivery with 1 battery. Replaceable (spare part)
 IP class: IP20

Material: Aluminium, Canvas, ABS

LED bulb included – replaceable (spare part).
 Magnetic USB A 200 cm / 79 in charging cable included.

Spare parts available. Please refer to the 'Spare Parts' section.



SC52

Como ^{SC53} Space Copenhagen 2020



Product no.	Product	Variant	Colli qty.	Lead time	Weight	PRICE EX. STATE TAX
133165A232	Portable lamp	Bronzed	2 pcs	Stock item	0.40 kg	340
133165A233	Portable lamp	Black	2 pcs	Stock item	0.40 kg	340
136731A138	Portable lamp	Brass	2 pcs	Stock item	0.60 kg	450
133165A207	Portable lamp	Stone Blue	2 pcs	Stock item	0.40 kg	340
133165A212	Portable lamp	Red Brown	2 pcs	Stock item	0.40 kg	340
133165A166	Portable lamp	Aluminium	2 pcs	Stock item	0.40 kg	340

Technical Specification

G4 LED Bulb 1 Watt

CRI: >85

Colour temperature (Kelvin): 2700K

Charging time: 1 battery 3.5 hours – 2 batteries 6 hours

Operating time in highest light setting:

1 battery 11 hours – 2 batteries 20 hours

Dimmability: 3 level touch dimmer on base 100% - 70% - 40%

Battery: Delivery with 1 battery. Replaceable (spare part)

IP class: IP44 (This lamp is for indoors use only. It can be taken outdoors, but must be kept and stored indoors.)

Material:

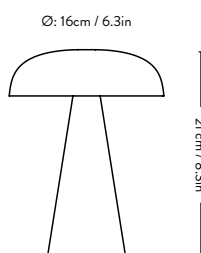
Metal variants: Anodised or lacquered aluminium or brass, polycarbonate (PC) & ABS

Painted variants: Aluminium & polycarbonate (PC) & ABS

LED bulb included – replaceable (spare part).

Magnetic USB A 200 cm / 79 inch charging cable included.

Spare parts available. Please refer to the 'Spare Parts' section.



Caret ^{MF1} Matteo Fogale 2022



Product no.	Product	Variant	Colli qty.	Lead time	Weight	PRICE EX. STATE TAX
133166A160	Portable lamp	Silk Grey	2 pcs	Stock item	0.75 kg	365
133166A163	Portable lamp	Dark Burgundy	2 pcs	Stock item	0.75 kg	365
133166A572	Portable lamp NEW	Antracite	2 pcs	Stock item	0.75 kg	365
133166A573	Portable lamp NEW	Forest	2 pcs	Stock item	0.75 kg	365

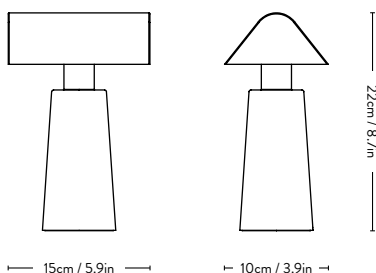
Technical Specification

G4 LED Bulb 1 Watt
 CRI: >85
 Colour temperature (Kelvin): 2700K
 Charging time: 1 battery 3.5 hours – 2 batteries 6 hours
 Operating time in highest light setting:
 1 battery 11 hours – 2 batteries 20 hours
 Dimmability: 3 level touch dimmer on base 100% - 70% - 40%
 Battery: Delivery with 1 battery. Replaceable (spare part)
 IP class: IP44 (This lamp is for indoors use only. It can be taken outdoors, but must be kept and stored indoors.)

Material: Lacquered steel, polycarbonate (PC), ABS

LED bulb included – replaceable (spare part).
 Magnetic USB A 200 cm / 79 in charging cable included.

Spare parts available. Please refer to the 'Spare Parts' section.



MF1

Raku^{SH8} Sebastian Herkner 2022



Product no.	Product	Variant	Colli qty.	Lead time	Weight	PRICE EX. STATE TAX
136746A118	Portable lamp	Blue Green & Brass	2 pcs	Stock item	0.90 kg	430
133167A117	Portable lamp	Beige Grey & Bronzed	2 pcs	Stock item	0.80 kg	430

Technical Specification

G4 LED Bulb 1 Watt

CRI: >85

Colour temperature (Kelvin): 2700K

Charging time: 1 battery 3.5 hours – 2 batteries 6 hours

Operating time in highest light setting:

1 battery 11 hours – 2 batteries 20 hours

Dimmability: 3 levels 100% - 70% - 40%

Battery: Delivery with 1 battery. Replaceable (spare part)

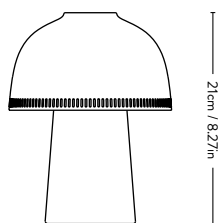
IP class: IP44 (This lamp is for indoors use only. It can be taken outdoors, but must be kept and stored indoors.)

Material: Anodised aluminium or lacquered brass shade, ceramic with crackle glazed base, ABS

LED bulb included – replaceable (spare part).

Magnetic USB A 200 cm / 79 inch charging cable included.

Spare parts available. Please refer to the 'Spare Parts' section.



— Ø 16cm / 6.30in —

SH8

Setago ^{JH27} Jaime Hayon 2019



Product no.	Product	Variant	Colli qty.	Lead time	Weight	PRICE EX. STATE TAX
133130A152	Portable lamp	Nude & Forest	2 pcs	Stock item	0.70 kg	225
133130A151	Portable lamp	Rust & Thunder	2 pcs	Stock item	0.70 kg	225
133130A150	Portable lamp	Maroon & Grape	2 pcs	Stock item	0.70 kg	225

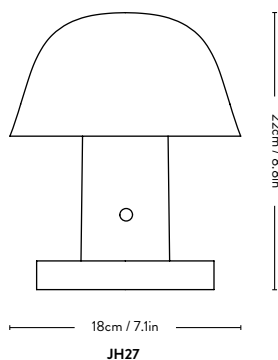
Technical Specification

G4 LED Bulb 3 Watt
 CRI: >80
 Colour temperature (Kelvin): 2800K
 Charging time: 8 hours
 Operating time in highest light setting: 10 hours
 Dimmability: 3 level touch dimmer on base 100% - 70% - 40%
 Battery: Replaceable (spare part)
 IP class: IP44 (This lamp is for indoors use only. It can be taken outdoors, but must be kept and stored indoors.)

Material: Moulded polycarbonate and brass.

LED bulb included - replaceable (spare part).
 Micro USB A 150 cm / 59 in charging cable included.

Spare parts available. Please refer to the 'Spare Parts' section.



Pivot ^{ATD7} & Tradition 2023



Product no.	Product	Variant	Colli qty.	Lead time	Weight	PRICE EX. STATE TAX
133277A357	Portable lamp	Rusty Mint	2 pcs	Stock item	1.60 kg	495
133277A264	Portable lamp	Blue Silver	2 pcs	Stock item	1.60 kg	495

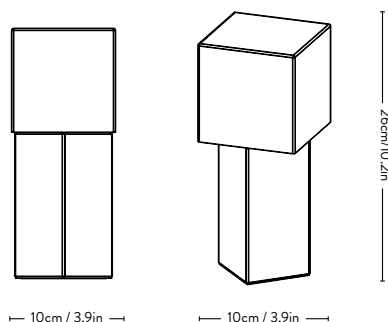
Technical Specification

G4 LED Bulb 3 Watt
 CRI: >80
 Colour temperature (kelvin): 2800K
 Charging time: 16 hours
 Operating time in highest light setting: 20 hours
 Dimmability: 3 level touch dimmer 100% - 70% - 40%
 Battery: Replaceable (spare part)
 IP class: IP44 (This lamp is for indoors use only. It can be taken outdoors, but must be kept and stored indoors.)

Material: Powder-coated steel & painted or chrome-plated steel

Magnetic USB A 200 cm / 79 in charging cable included.

Spare parts available. Please refer to the 'Spare Parts' section.



ATD7

Spare Parts

Furniture & Objects

Family	Product code	Product no.	Product	Variant	Colli qty.	PRICE EX. STATE TAX
Collect	SC83	133629	Glass Tube		1 pc	405

Maintenance & Care

We challenge convention to create products that rethink how we use materials and manufacturing techniques. We find beauty in products that can be created by the latest industrial processes as well as those that maintain techniques that have evolved over a long period of time. We strive for timeless beauty and quality that is made to last.

Find information about the materials and variants used in the collection as well as guidelines for daily care, cleaning and maintenance through the link below:

<https://www.andtradition.com/maintenance-and-care>

Packaging Information

Product	Product code	Category	Height cm	Width cm	Depth cm	Weight	Colli qty.
Collect Weave	SC28	Cushion	10	50	50	1.00 kg	1 pc
Collect Weave	SC48	Cushion	10	60	40	1.00 kg	1 pc
Collect Soft Boucle	SC28	Cushion	10	50	50	1.00 kg	1 pc
Collect Soft Boucle	SC48	Cushion	10	60	40	1.00 kg	1 pc
Collect Cotton Throw	SC32	Throw	8	43	46	1.10 kg	1 pc
Collect Cotton Throw	SC33	Throw	11	42	58	2.15 kg	1 pc
Collect Woolen Throw	SC34	Throw	7	32	45	0.85 kg	1 pc
Collect Throw	SC81	Throw	8	46	43	1.10 kg	1 pc
Collect Plate	SC55	Plate	14	62	62	14.80 kg	1 pc
Collect Candleholder	SC57	Candleholder	12	5	5	0.45 kg	4 pcs
Collect Candleholder	SC58	Candleholder	14	5	5	0.47 kg	4 pcs
Collect Candleholder	SC59	Candleholder	21	5	5	0.51 kg	4 pcs
Collect Glass	SC60	Glass	11	13	7	1.40 kg	4 pcs
Collect Glass	SC61	Glass	13	17	9	0.30 kg	4 pcs
Collect Carafe	SC62	Carafe	27	9	9	0.40 kg	2 pcs
Collect Carafe	SC63	Carafe	30	10	10	0.50 kg	2 pcs
Collect Tray	SC64	Tray	3	29	42	0.87 kg	1 pc
Collect Tray	SC65	Tray	3	39	56	1.20 kg	1 pc
Collect Bowl	SC82	Bowl	23	33.5	17	2.00 kg	1 pc
Collect Wine glass	SC79	Wine Glass	16	40	21.5	2.20 kg	2 pcs
Collect Wine glass	SC80	Wine Glass	21.5	38.5	20.5	2.20 kg	2 pcs
Collect Glass	SC78	Glass	8.5	16.8	8.4	0.28 kg	2 pcs
Collect Hurricane	SC83	Lantern	29	29	60	9.11 kg	1 pc
Collect Rug	SC84	Rug	170	17	17	13.87 kg	1 pc
Collect Rug	SC85	Rug	200	20	20	22.2 kg	1 pc
Momento Jug	JH38	Jug	25.5	38.5	46.5	6.95 kg	6 pcs
Momento Candleholder	JH39	Candleholder	22	16	32	1.66 kg	4 pcs
Momento Vase	JH40	Vase	32	27	40	2.3 kg	2 pcs
Momento Vase	JH41	Vase	72	24	38	2.8 kg	2 pcs
Momento Vase	JH47	Vase	28.3	17.3	17.3	1.32 kg	2 pcs
Momento I Throw	JH46	Throw	8.5	29.5	39	1.12 kg	1 pc
Capture	SC74	Hook	6	30	23	0.83 kg	1 pc
Capture	SC76	Hanger	6	29	67	2.90 kg	1 pc
Capture	SC77	Coat Stand	14	41	189	8.50 kg	1 pc
Cruise	AP11	Rug	250	30	30	24.50 kg	1 pc
Cruise	AP12	Rug	210	30	30	25.00 kg	1 pc
Cruise	AP23	Rug	21	21	175	18.50 kg	1 pc
The Moor	AP5	Rug	180	30	30	16.25 kg	1 pc
The Moor	AP6	Rug	250	30	30	33.15 kg	1 pc
The Moor	AP18	Rug	21	21	171	14.00 kg	1 pc

Packaging Information

Product	Product code	Category	Height cm	Width cm	Depth cm	Weight	Colli qty.
The Moor	AP19	Rug	26	26	202	21.00 kg	1 pc
The Moor	AP7	Rug	210	30	30	32.00 kg	1 pc
The Moor	AP8	Rug	310	30	30	38.90 kg	1 pc
Amore	SC49	Mirror	122	122	13	47.50 kg	1 pc
Amore	SC50	Mirror	197	67	13	49.50 kg	1 pc
Amore	SC56	Mirror	80	80	8	12.5kg	1 pc
Sillon	SH4	Mirror	9	54	54	5.40 kg	1 pc
Sillon	SH5	Mirror	9	74	74	9.30 kg	1 pc
Sillon	SH7	Mirror	11	71	201	55.90 kg	1 pc
Votive	AV20	Candleholder	8	18.5	24	0.88 kg	1 pc

General Terms & Conditions for Sales (B2B)

These general terms and conditions for sales ("GTCs") shall govern all purchase orders ("Order" or "Orders") placed with &Tradition A/S, CVR-nr. 18169304, Fredericiagade 21, 1310 Copenhagen K, Denmark ("&Tradition"), unless otherwise explicitly agreed in writing between the buyer ("Buyer") and &Tradition.

1. Prices

1.1. All prices in the price list are recommended resale prices.

1.2. &Tradition may, without prior notice and with immediate effect, change the recommended resale prices, net prices, and/or discount structures.

2. Quotations

2.1. Any quotation given by &Tradition will be valid 60 days from the date of issuance, unless otherwise stated.

3. Order Handling and Confirmation

3.1. Orders must be sent to info@andtradition.com or to the Buyer's assigned sales representative.

3.2. Orders shall not be binding on &Tradition until the Buyer has received &Tradition's written order confirmation.

3.3. The Buyer must review the order confirmation immediately upon receipt thereof and report any errors within 24 hours to &Tradition on info@andtradition.com or +45 3920 0233.

4. Changes and Cancellations of Orders

4.1. Orders can be changed or cancelled in accordance with below rules:

4.2. Stock products (standard collection)

4.2.1. For stock products, the Buyer may change or cancel the Order within 24 hours from receipt of the order confirmation. Changes or cancellations later than 24 hours are not possible.

4.3. Non-stock products (standard collection)

4.3.1. For non-stock products (standard collection), the Buyer may change or cancel the Order within 72 hours from receipt of the order confirmation.

4.4. Customized products

4.4.1. For customized products changes or cancellations are not possible.

4.5. If &Tradition, at its sole discretion, accepts a cancellation request in writing after the above-mentioned deadlines, the Buyer shall be subject to a cancellation fee determined by &Tradition.

5. Terms of Payment

5.1. Payment is 14 days net from invoice date.

5.2. Conditions of payment and payment procedures are stated in the order confirmation and invoice.

5.3. &Tradition reserves the right at any time to demand full or partial advance payment on Orders.

5.4. In case of late payment, interest will be charged at a rate of 1.5% per month or part thereof as of the due date.

5.5. Furthermore, &Tradition reserves the right to suspend a Buyer's account if the Buyer's balance is due, in which event no Orders or deliveries to the Buyer will be processed.

6. Reservation of Title

6.1. Delivered products remain the property of &Tradition and &Tradition will retain full title over the delivered products until the full invoiced amount including delivery charges as well as interest payable in arrears is fully paid. The Buyer shall be obliged to clearly mark the delivered products as being the property of &Tradition until full pay-

ment has been made.

6.2. Additional and specific terms on retention of title applicable to the Order may be set out in the quotation, order confirmation, delivery note and/or invoice.

7. Terms of Delivery

7.1. The shipment date of the Order will be stated on the order confirmation.

7.2. If the Order cannot be shipped in accordance with the stated delivery date, &Tradition will inform the Buyer without undue delay and inform the new shipment date and send an updated order confirmation to the Buyer. Only if the delay exceeds 3 months and is not due to force majeure, the Buyer is entitled to cancel the Order. The Buyer is not entitled to make further claims against &Tradition in cases of delay.

7.3. The lead times as stated in &Tradition's price list in force from time to time can only be used as indicative.

8. Delivery Costs

8.1. Delivery costs for the Order will be stated in the order confirmation.

8.2. Delivery costs are calculated on basis of the total Order amount and will be charged for each shipment.

9. Transportation

9.1. Standard Delivery

9.1.1. The standard delivery term is DAP (Incoterms 2020), and Orders will be shipped from &Tradition or its affiliated warehouses or directly from its suppliers. &Tradition will confirm on the order confirmation if DAP delivery is possible.

9.1.2. Delivery can only happen to shop or warehouse addresses during weekdays and normal working hours of the Buyer.

9.1.3. The Buyer must inform &Tradition of all relevant information related to the Buyer's ability to receive the Order, e.g. if the transportation must be carried out with a big or small lorry, with or without a fork lift, opening hours etc. Any failure to inform &Tradition thereof which consequently results in a failed delivery will be imposed a charge cf. 9.1.4.

9.1.4. In events where the Buyer needs a fixed delivery date and/or slot for the Order, redelivery due to failed delivery attempt of an Order, change of delivery address and/or change to Orders after the deadlines defined in these GTCs additional costs will be charged the Buyer.

9.1.5. A fixed delivery date and/or slot must be informed and accepted by &Tradition in advance of placing the Order and shall be considered agreed when stated in the order confirmation.

9.2. Non-standard Delivery

9.2.1. Where standard delivery is not possible or offered, the delivery term is EX-WORKS (Incoterms 2020) at a designated address, such to be accepted by &Tradition in advance.

9.2.2. EX-WORKS Orders will as standard be packed for SEA-freight. If the Buyer wishes the Order packed for AIR-freight, such must be informed and accepted by &Tradition in advance of placing the Order and shall be considered agreed when stated in the order confirmation.

9.2.3. The Order must be collected at the designated location as stated in the order confirmation no later than 30 days after the delivery date. Any delay in picking up the Order will be charged a fee per week of delay.

9.2.4. If the Order hasn't been collected within 60 days from the delivery date this will be deemed as if the Buyer has cancelled the Order, in which event the Buyer will be charged the total Order amount and other incurred costs related to the rearrangement of the packing and shipping of the Order.

General Terms & Conditions for Sales (B2B)

10. Inspection of Orders upon Delivery and Claims

10.1. The Buyer is obliged to inspect the Order upon delivery and check that the number of packages corresponds with the delivery note and that the packaging and products are free from visual defects.

10.2. If a delivery does not comply with the corresponding Order or delivery note, or if the products received appear to have been damaged during transportation, the Buyer must ensure to record a reservation on the delivery document upon receipt or alternatively reject receipt of the Order. If reservation is made subject to receipt of the Order, this must be as specific as possible and include photo documentation of all visual damages in accordance with the claims procedure outlined below. &Tradition shall have the right to reject all claims in connection with visual damages and/or quantity errors if the Buyer has not made a reservation on the delivery document.

10.3. Claim Procedure

10.3.1. The Buyer must notify &Tradition of any claims related to clause 10.2. no later than 2 calendar days after delivery of the Order by sending an e-mail to info@andtradition.com informing:

- Sales order number or invoice number;
- Purchase order no. (PO no.);
- &Tradition item number;
- Description of the claim; and
- Photo documentation supporting the claim.

10.3.2. Any claims made subject to the warranty provisions must be notified &Tradition without undue delay and include same documentation as outlined in 10.3.1. and send by e-mail to af-tersales@andtradition.com.

10.3.3. &Tradition reserves the right to reject any claims that do not meet the requirements as set out herein.

10.3.4. Insofar &Tradition approves the claim, &Tradition shall at its sole discretion determine its remedy whether to repair, replace the product or repay the purchase price. The Buyer is not entitled to make financial claims against &Tradition in cases of non-conforming products, unless where mandatory applicable law precludes or prohibits any exclusion or limitation of liability.

11. Warranty

11.1. &Tradition provides a two-year warranty on all standard products and five-year warranty on all standard furniture against defects in materials and workmanship. The warranties do not extend to situations and/or defects resulting from, without limitation, any of the following:

- Non-compliance with &Tradition's instructions for assembly, use, maintenance or care;
- Exposure to direct sunlight or heat from i.e. radiators that may fade and dry out surfaces on wood, fabrics or leather;
- Normal wear and tear, including without limitation deformation of foam, webbing, paper cord and rattan, or damage to upholstery; or
- Use of customer's own material (COM), other non-standard fabrics or leather not listed in &Tradition's pricelist on a specific product, or customer-supplied components.

11.2. The warranty will become void upon any alteration or repair of product on the Buyer's own initiative.

11.3. Tolerances

11.3.1. Variations naturally occurring in wood, leather, marble and other natural materials, as well as formation of wrinkles on leather and fabrics on upholstery products, are not considered defects in material or workmanship.

11.3.2. For products with LED light, reduction in light output may be expected over time.

11.4. Assembling and Maintenance Guides for Products

11.4.1. On www.andtradition.com instruction manuals, care and maintenance guides are available.

12. Product Compliance

12.1. &Tradition shall be responsible that any product delivered adheres to all laws and regulations applicable to the product within the delivery location at the time of delivery to the Buyer.

12.2. The Buyer undertakes not to export the products to countries where the products do not comply with the laws and regulations applicable to the products in respect to without limitation materials, labelling, packaging, technical requirements etc. The Buyer shall indemnify and hold &Tradition harmless for any damage, loss or claim resulting out of or in connection with the Buyer's breach thereof.

13. Force Majeure

13.1. &Tradition shall not be in breach nor liable for any delay in performing, or failure to perform, any of its obligations pursuant to the Order if such delay or failure results from events, circumstances or causes beyond its reasonable control.

14. Customer's Own Material (COM)

14.1. &Tradition may, at its sole discretion, accept COM orders where the Buyer wishes to use its own material, including but not limited to textiles, leather, or wood. Any such material must be tested and approved in writing by &Tradition. Approval solely confirms technical suitability for use on the selected product.

14.2. The Buyer is responsible for sourcing, delivering, and ensuring the quality, suitability, and quantity of any COM material supplied.

14.3. Lead time for COM products is calculated from receipt of the material. &Tradition is not liable for any delay resulting from issues related to the COM.

14.4. &Tradition does not guarantee compliance with laws, the alignment of patterns, or the final visual appearance.

14.5. Any warranty provided by &Tradition does not apply to COM products. The Buyer shall indemnify and hold harmless &Tradition against any claims, losses, damages, or costs arising out of or in connection with the use of COM.

15. Termination

15.1. Each party may terminate the agreement, including the trade relationship governed by these GTCs, for convenience by giving the other party one (1) month's prior written notice.

16. Governing Law and Jurisdiction

16.1. The Order, including these GTCs shall be governed by and construed in accordance with the laws of Denmark, excluding its conflicts of law provisions and the CISG.

16.2. Any disputes between the Parties arising out of or in connection with the Order and/or GTCs shall be settled by the City Court of Copenhagen.

17. All Rights Reserved

17.1. &Tradition is not responsible for any printing errors or price errors. &Tradition reserves the right to make changes or to discontinue any product or part thereof without prior notice.

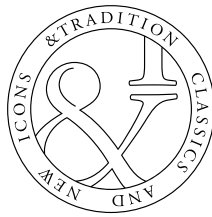
18. Contact Information

&Tradition A/S, CVR-nr. 18169304

Office: Fredericiagade 21, 1310 Copenhagen, Denmark

Showroom: Kronprinsessegade 4, 1306 Copenhagen K, Denmark, +45 3920 0233, info@andtradition.com

Last updated 15-05-2025



&Tradition
Fredericiagade 21
DK-1310 Copenhagen
info@andtradition.com
andtradition.com

©&Tradition 2025
#andtradition

&Tradition®