

Pricelist 2025
USD



VERPAN

All Verpan products are designed by Verner Panton
©Verner Panton Design AG
Produced under license by Verpan A/S

PRICE LIST – USD
Valid from 01.09.2025

Recommended retail prices excl. sales tax

PAYMENT
Currency: USD
Bank: Nordea
Iban: DK1820005036622247
Bic: NDEADKKK

TERMS OF SALE AND DELIVERY
verpan.com/pages/t-c

VERPAN A/S
Møntergade 19B, DK-1116 Copenhagen K
info@verpan.com
verpan.com

VAT NO. / CVR: 46481410

Verpan disclaims any responsibility for errors or omissions in this price list, and we retain the right to implement future changes.

CHAIRS, SOFAS & LOUNGE

- 4 Series 430
- 12 System 1-2-3
- 16 Series 270 F
- 17 Panto Pop
- 18 Cloverleaf
- 26 Easy
- 30 Flying Chair
- 31 Welle

TABLES

- 37 Barboy
- 38 Panton Move
- 39 Series 430

WARDROBE

- 40 System 1-2-3

OBJECTS

- 64 Mirror Sculptures

—

- 66 Packaging Overview
- 68 Upholstery Programme

PENDANTS

- 42 Fun
- 44 Fun XL
- 46 Moon
- 48 Hive
- 49 Pantop
- 50 Panto
- 51 VP Globe
- 52 Spiral
- 53 Spiral XL

TABLE & PORTABLE

LAMPS

- 54 Fun
- 55 Reflect
- 56 Pantop
- 58 Wire

FLOOR LAMPS

- 60 Fun
- 61 Wire

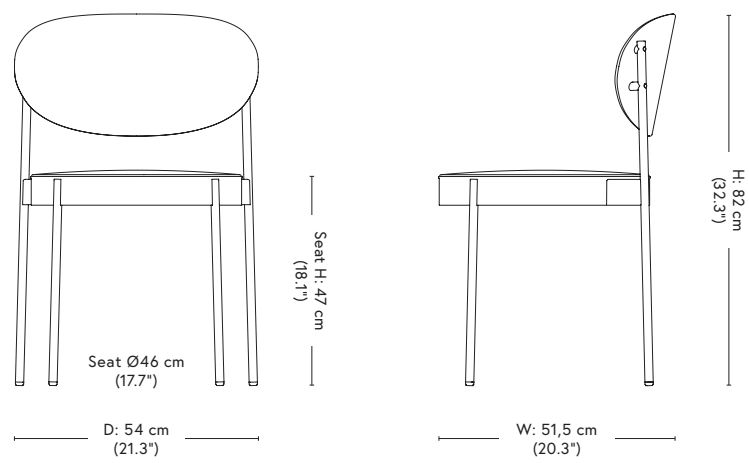
WALL LAMPS

- 62 Fun
- 63 Spiegel

SERIES 430 CHAIR 1967

FURNITURE

Design by Verner Panton



SERIES 430 CHAIR 1967

FURNITURE

Design by Verner Panton

Item no	Frame	Price gr.	Upholstery	Colli qty.	Prod. time	Net weight	LIST PRICE (USD)
131361	Black	F1	Linara, Remix	1 pc	6-8 weeks	6,5 kg	800
131363	White						800
131369	Stainless steel						897
131365	Brass						1.121
131361	Black	F2	Canvas, Re-wool	1 pc	6-8 weeks	6,5 kg	849
131363	White						849
131369	Stainless steel						945
131365	Brass						1.169
131361	Black	F3	Divina, Divina MD, Divina Melange, Hallingdal,	1 pc	6-8 weeks	6,5 kg	881
131363	White		Steelcut Trio, Steelcut Quartet, Tonus				881
131369	Stainless steel						1.009
131365	Brass						1.217
131361	Black	F4	Sunday, Vidar	1 pc	6-8 weeks	6,5 kg	1.009
131363	White						1.009
131369	Stainless steel						1.121
131365	Brass						1.281
131361	Black	F5	Karakorum	1 pc	6-8 weeks	6,5 kg	1.121
131363	White						1.121
131369	Stainless steel						1.201
131365	Brass						1.361
131361	Black	F6	Alpaca Alto, Argo, A Soft Place	1 pc	6-8 weeks	6,5 kg	1.281
131363	White						1.281
131369	Stainless steel						1.345
131365	Brass						1.522
131361	Black	L1	Ultra	1 pc	6-8 weeks	6,5 kg	1.121
131363	White						1.121
131369	Stainless steel						1.201
131365	Brass						1.361
131361	Black	L2	Envy, Savanne	1 pc	6-8 weeks	6,5 kg	1.281
131363	White						1.281
131369	Stainless steel						1.345
131365	Brass						1.522
131361	Black	L3	Duet	1 pc	6-8 weeks	6,5 kg	1.442
131363	White						1.442
131369	Stainless steel						1.506
131365	Brass						1.602
131361	Black	COM		1 pc	6-8 weeks	6,5 kg	800
131363	White						800
131369	Stainless steel						897
131365	Brass						1.121
131361	Black	COL		1 pc	6-8 weeks	6,5 kg	1.121
131363	White						1.121
131369	Stainless steel						1.201
131365	Brass						1.361

Item no. Add on

119466	Trolley for Series 430	1 pc	Stock item
--------	------------------------	------	------------

More info upon request

Material

FSC certified plywood. Elastic band webbing in the seat. HR foam (Cal117) as standard. CMHR Foam (CRIB5) upon request. Painted metal/ brushed stainless steel/ plated brass frame. With felt gliders. Plastic gliders available upon request.

Test & Certifications

Contract standard

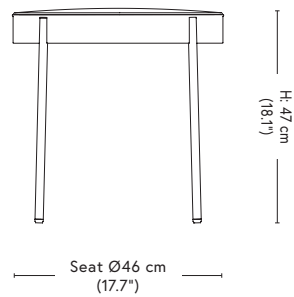
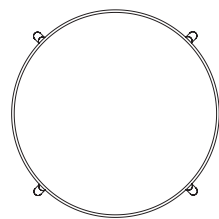
Stackable

3-4 on floor, 8 on trolley

SERIES 430 STOOL 1967

FURNITURE

Design by Verner Panton



SERIES 430 STOOL 1967

FURNITURE

Design by Verner Pantón

Item no	Frame	Price gr.	Upholstery	Colli qty.	Prod. time	Net weight	LIST PRICE (USD)
131379	Black	F1	Linara, Remix	1 pc	6-8 weeks	4,5 kg	544
131381	White						544
131387	Stainless steel						817
131383	Brass						897
131379	Black	F2	Canvas, Re-wool	1 pc	6-8 weeks	4,5 kg	608
131381	White						608
131387	Stainless steel						865
131383	Brass						961
131379	Black	F3	Divina, Divina MD, Divina Melange, Hallingdal	1 pc	6-8 weeks	4,5 kg	656
131381	White		Steelcut Trio, Steelcut Quartet, Tonus				656
131387	Stainless steel						913
131383	Brass						1.009
131379	Black	F4	Sunday, Vidar	1 pc	6-8 weeks	4,5 kg	704
131381	White						704
131387	Stainless steel						1.009
131383	Brass						1.121
131379	Black	F5	Karakorum	1 pc	6-8 weeks	4,5 kg	800
131381	White						800
131387	Stainless steel						1.073
131383	Brass						1.201
131379	Black	F6	Alpaca Alto, Argo, A Soft Place	1 pc	6-8 weeks	4,5 kg	977
131381	White						977
131387	Stainless steel						1.249
131383	Brass						1.345
131379	Black	L1	Ultra	1 pc	6-8 weeks	4,5 kg	800
131381	White						800
131387	Stainless steel						1.073
131383	Brass						1.201
131379	Black	L2	Envy, Savanne	1 pc	6-8 weeks	4,5 kg	977
131381	White						977
131387	Stainless steel						1.249
131383	Brass						1.345
131379	Black	L3	Duet	1 pc	6-8 weeks	4,5 kg	1.073
131381	White						1.073
131387	Stainless steel						1.329
131383	Brass						1.506
131379	Black	COM		1 pc	6-8 weeks	4,5 kg	544
131381	White						544
131387	Stainless steel						817
131383	Brass						897
131379	Black	COL		1 pc	6-8 weeks	4,5 kg	800
131381	White						800
131387	Stainless steel						1.073
131383	Brass						1.201

Material

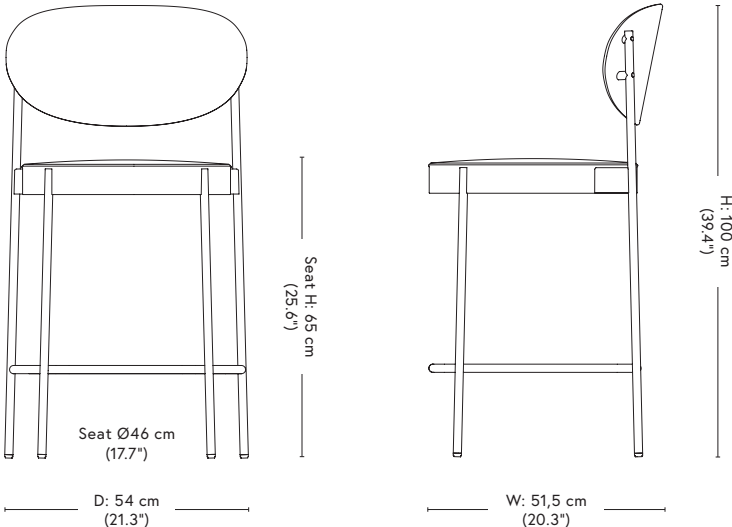
FSC certified plywood. Elastic band webbing in the seat. HR foam (Cal117) as standard. CMHR Foam (CRIB5) upon request. Painted metal/ brushed stainless steel/ plated brass frame. With felt gliders. Plastic gliders available upon request.

Test & Certifications

Contract standard

SERIES 430 COUNTER STOOL 65 1967

Design by Verner Panton



SERIES 430 COUNTER STOOL 65 1967

FURNITURE

Design by Verner Panton

Item no	Frame	Price gr.	Upholstery	Colli qty.	Prod. time	Net weight	LIST PRICE (USD)
137623	Black	F1	Linara, Remix	1 pc	6-8 weeks	9,0 kg	1.105
156842	Stainless steel						1.217
137624	Brass						1.730
137623	Black	F2	Canvas, Re-wool	1 pc	6-8 weeks	9,0 kg	1.153
156842	Stainless steel						1.265
137624	Brass						1.778
137623	Black	F3	Divina, Divina MD, Divina Melange, Hallingdal,	1 pc	6-8 weeks	9,0 kg	1.201
156842	Stainless steel		Steelcut Trio, Steelcut Quartet, Tonus				1.313
137624	Brass						1.842
137623	Black	F4	Sunday, Vidar	1 pc	6-8 weeks	9,0 kg	1.249
156842	Stainless steel						1.361
137624	Brass						1.922
137623	Black	F5	Karakorum	1 pc	6-8 weeks	9,0 kg	1.281
156842	Stainless steel						1.393
137624	Brass						2.083
137623	Black	F6	Alpaca Alto, Argo, A Soft Place	1 pc	6-8 weeks	9,0 kg	1.474
156842	Stainless steel						1.586
137624	Brass						2.307
137623	Black	L1	Ultra	1 pc	6-8 weeks	9,0 kg	1.281
156842	Stainless steel						1.393
137624	Brass						2.083
137623	Black	L2	Envy, Savanne	1 pc	6-8 weeks	9,0 kg	1.474
156842	Stainless steel						1.586
137624	Brass						2.307
137623	Black	L3	Duet	1 pc	6-8 weeks	9,0 kg	1.538
156842	Stainless steel						1.650
137624	Brass						2.355
137623	Black	COM		1 pc	6-8 weeks	9,0 kg	1.105
156842	Stainless steel						1.217
137624	Brass						1.730
137623	Black	COL		1 pc	6-8 weeks	9,0 kg	1.281
156842	Stainless steel						1.393
137624	Brass						2.083

Material

FSC certified plywood. Elastic band webbing in the seat. HR foam (Cal117) as standard. CMHR Foam (CRIB5) upon request. Painted metal/plated brass frame. With felt gliders. Plastic gliders available upon request.

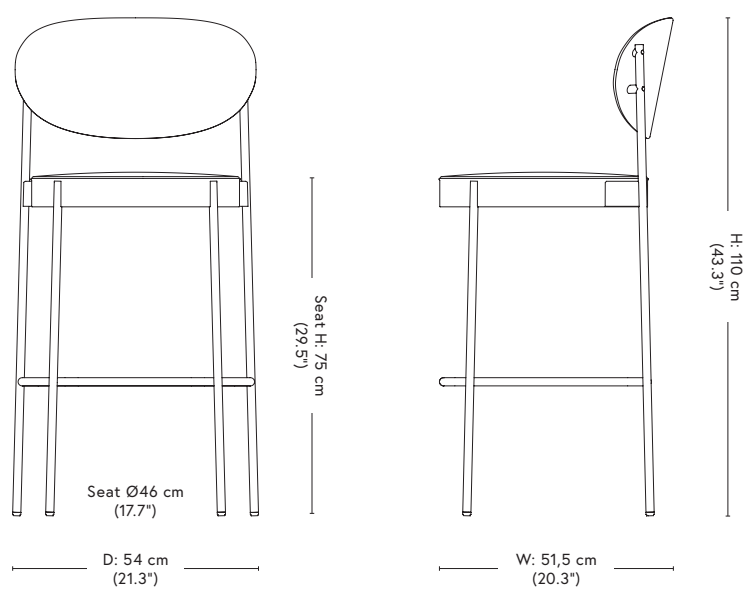
Test & Certifications

Contract standard

SERIES 430 BAR STOOL 75 1967

FURNITURE

Design by Verner Panton



SERIES 430 BAR STOOL 75 1967

FURNITURE

Design by Verner Pantan

Item no	Frame	Price gr.	Upholstery	Colli qty.	Prod. time	Net weight	LIST PRICE (USD)
137026	Black	F1	Linara, Remix	1 pc	6-8 weeks	10 kg	1.105
156844	Stainless steel						1.217
137628	Brass						1.730
137026	Black	F2	Canvas, Re-wool	1 pc	6-8 weeks	10 kg	1.153
156844	Stainless steel						1.265
137628	Brass						1.778
137026	Black	F3	Divina, Divina MD, Divina Melange, Hallingdal, Steelcut Trio, Steelcut Quartet, Tonus	1 pc	6-8 weeks	10 kg	1.201
156844	Stainless steel						1.313
137628	Brass						1.842
137026	Black	F4	Sunday, Vidar	1 pc	6-8 weeks	10 kg	1.249
156844	Stainless steel						1.361
137628	Brass						1.922
137026	Black	F5	Karakorum	1 pc	6-8 weeks	10 kg	1.281
156844	Stainless steel						1.393
137628	Brass						2.083
137026	Black	F6	Alpaca Alto, Argo, A Soft Place	1 pc	6-8 weeks	10 kg	1.474
156844	Stainless steel						1.586
137628	Brass						2.307
137026	Black	L1	Ultra	1 pc	6-8 weeks	10 kg	1.281
156844	Stainless steel						1.393
137628	Brass						2.083
137026	Black	L2	Envy, Savanne	1 pc	6-8 weeks	10 kg	1.474
156844	Stainless steel						1.586
137628	Brass						2.307
137026	Black	L3	Duet	1 pc	6-8 weeks	10 kg	1.538
156844	Stainless steel						1.650
137628	Brass						2.355
137026	Black	COM		1 pc	6-8 weeks	10 kg	1.105
156844	Stainless steel						1.217
137628	Brass						1.730
137026	Black	COL		1 pc	6-8 weeks	10 kg	1.281
156844	Stainless steel						1.393
137628	Brass						2.083

Material

FSC certified plywood. Elastic band webbing in the seat. HR foam (Cal117) as standard. CMHR Foam (CRIB5) upon request. Painted metal/plated brass frame. With felt gliders. Plastic gliders available upon request.

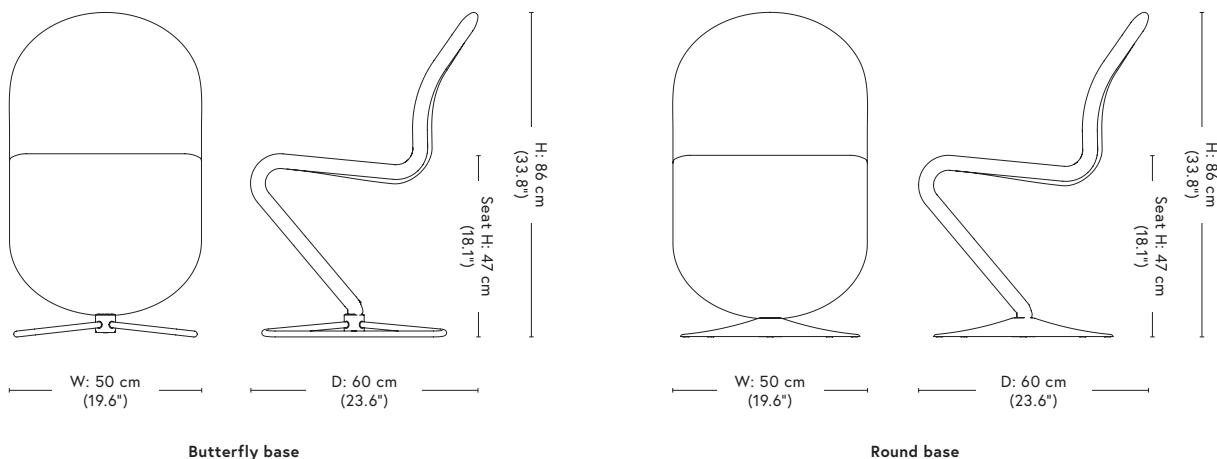
Test & Certifications

Contract standard

SYSTEM 1-2-3 DINING CHAIR STANDARD, 1973

FURNITURE

Design by Verner Panton



Item no	Frame	Price gr.	Upholstery	Colli qty.	Prod. time	Net weight	LIST PRICE (USD)
131391	Butterfly	F1	Linara, Remix	1 pc	6-8 weeks	13,5 kg	1.442
131392	Round						1.442
131391	Butterfly	F2	Canvas, Re-wool	1 pc	6-8 weeks	13,5 kg	1.522
131392	Round						1.522
131391	Butterfly	F3	Divina, Divina MD, Divina Melange, Hallingdal, Steelcut Trio, Steelcut Quartet, Tonus	1 pc	6-8 weeks	13,5 kg	1.602
131392	Round						1.602
131391	Butterfly	F4	Vidar	1 pc	6-8 weeks	13,5 kg	1.762
131392	Round						1.762
131391	Butterfly	F5	Karakorum	1 pc	6-8 weeks	13,5 kg	1.922
131392	Round						1.922
131391	Butterfly	F6	Argo	1 pc	6-8 weeks	13,5 kg	2.243
131392	Round						2.243
131391	Butterfly	L1	Ultra	1 pc	6-8 weeks	13,5 kg	1.922
131392	Round						1.922
131391	Butterfly	L2	Envy, Savanne	1 pc	6-8 weeks	13,5 kg	2.243
131392	Round						2.243
131391	Butterfly	L3	Duet	1 pc	6-8 weeks	13,5 kg	2.403
131392	Round						2.403
131391	Butterfly	COM		1 pc	6-8 weeks	13,5 kg	1.442
131392	Round						1.442
131391	Butterfly	COL		1 pc	6-8 weeks	13,5 kg	1.922
131392	Round						1.922
Item no.	Add on						
118140	Felt for System 1-2-3 Round base			1 pc	Stock item		15

Material

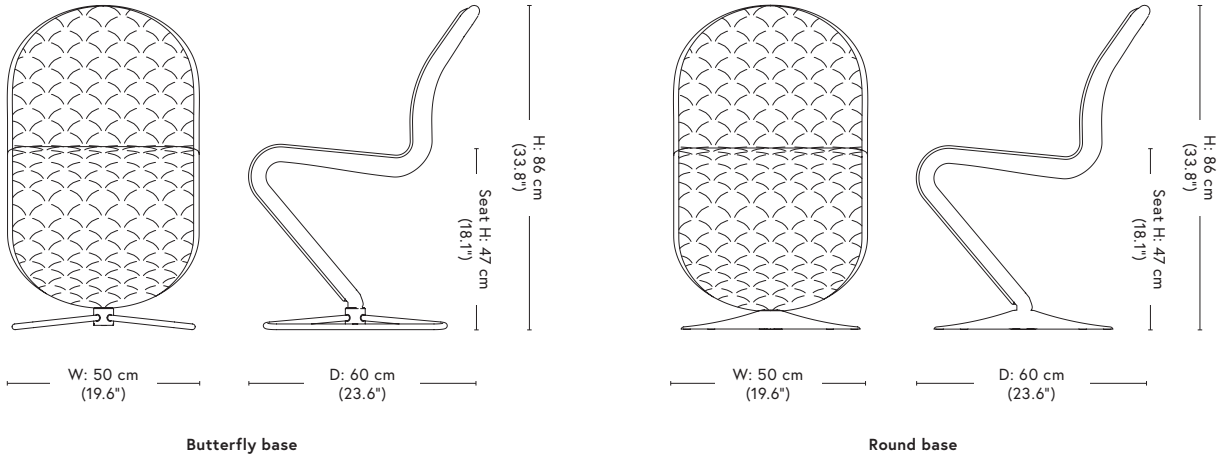
Steel frame. HR foam (Cal117) as standard CMHR Foam (CRIB5) upon request. Chrome plated butterfly base/ Brushed aluminum round base.

Test & Certifications

Contract standard

SYSTEM 1-2-3 DINING CHAIR DELUXE, 1973

Design by Verner Pantón



Item no	Frame	Price gr.	Upholstery	Colli qty.	Prod. time	Net weight	LIST PRICE (USD)
131389	Butterfly	F1	Linara, Remix	1 pc	6-8 weeks	13,5 kg	2.083
131390	Round						2.083
131389	Butterfly	F2	Canvas, Re-wool	1 pc	6-8 weeks	13,5 kg	2.243
131390	Round						2.243
131389	Butterfly	F3	Divina, Divina MD, Divina Melange, Hallingdal, Steelcut Trio, Steelcut Quartet, Tonus	1 pc	6-8 weeks	13,5 kg	2.403
131390	Round						2.403
131389	Butterfly	F4	Vidar	1 pc	6-8 weeks	13,5 kg	2.724
131390	Round						2.724
131389	Butterfly	F5	Karakorum	1 pc	6-8 weeks	13,5 kg	2.884
131390	Round						2.884
131389	Butterfly	F6	Alpaca Alto, Argo, A Soft Place	1 pc	6-8 weeks	13,5 kg	3.525
131390	Round						3.525
131389	Butterfly	L1	Ultra	1 pc	6-8 weeks	13,5 kg	2.884
131390	Round						2.884
131389	Butterfly	L2	Envy, Savanne	1 pc	6-8 weeks	13,5 kg	3.525
131390	Round						3.525
131389	Butterfly	L3	Duet	1 pc	6-8 weeks	13,5 kg	3.685
131390	Round						3.685
131389	Butterfly	COM		1 pc	6-8 weeks	13,5 kg	2.083
131390	Round						2.083
131389	Butterfly	COL		1 pc	6-8 weeks	13,5 kg	2.884
131390	Round						2.884

Item no.	Add on			
118140	Felt for System 1-2-3 Round base	1 pc	Stock item	15

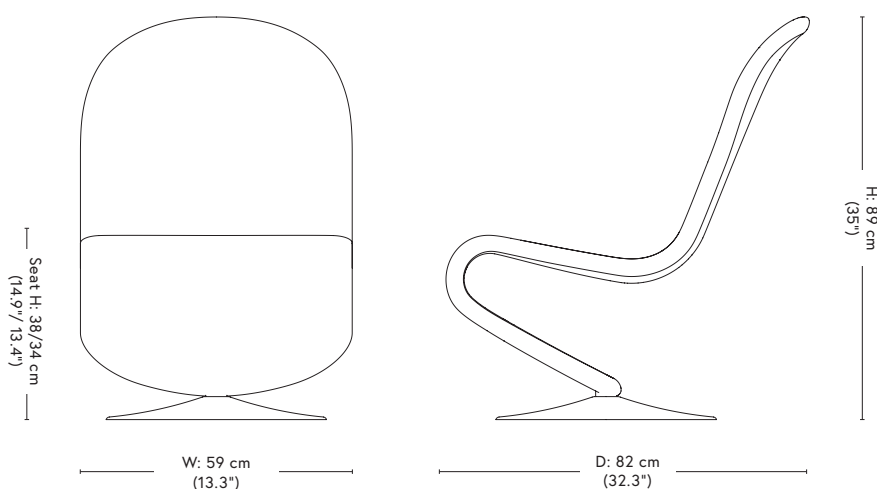
Material
 Steel frame. HR foam (Cal117) as standard CMHR
 Foam (CRIB5) upon request. Chrome plated butterfly
 base/ Brushed aluminum round base.

Test & Certifications
 Contract standard

SYSTEM 1-2-3 LOUNGE CHAIR STANDARD, 1973

FURNITURE

Design by Verner Panton



Item no.	Price gr.	Upholstery	Colli qty.	Prod. time	Net weight	LIST PRICE (USD)
131393	F1	Linara, Remix	1 pc	6-8 weeks	16,5 kg	1.682
	F2	Canvas, Re-wool	1 pc	6-8 weeks	16,5 kg	1.842
	F3	Divina, Divina MD, Divina Melange, Hallingdal Steelcut Trio, Steelcut Quartet, Tonus	1 pc	6-8 weeks	16,5 kg	1.922
	F4	Vidar	1 pc	6-8 weeks	16,5 kg	2.163
	F5	Karakorum	1 pc	6-8 weeks	16,5 kg	2.403
	F6	Argo	1 pc	6-8 weeks	16,5 kg	2.724
	L1	Ultra	1 pc	6-8 weeks	16,5 kg	2.403
	L2	Envy, Savanne	1 pc	6-8 weeks	16,5 kg	2.724
	L3	Duet	1 pc	6-8 weeks	16,5 kg	3.044
	COM		1 pc	6-8 weeks	16,5 kg	1.682
	COL		1 pc	6-8 weeks	16,5 kg	2.403

Item no.	Add on	Colli qty.	Prod. time	LIST PRICE (USD)
118140	Felt for System 1-2-3 Round base	1 pc	Stock item	15

Material

Steel frame. HR foam (Cal117) as standard CMHR
Foam (CRIB5) upon request. Brushed aluminum base.

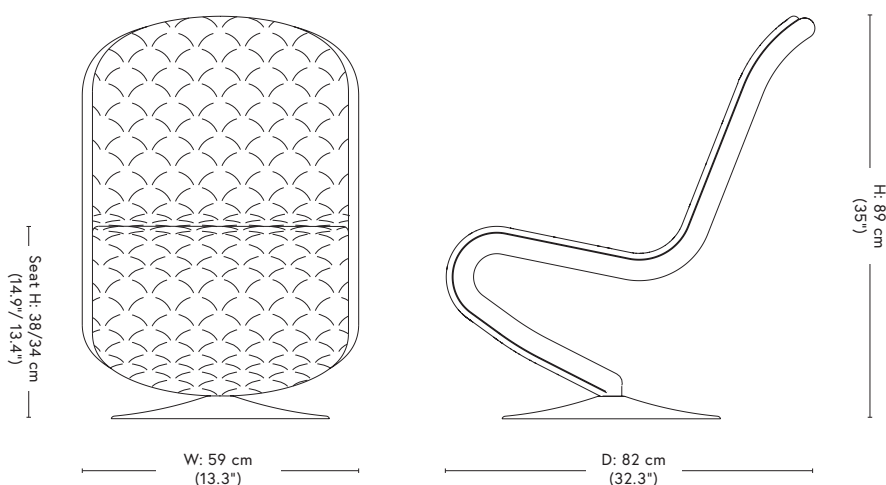
Test & Certifications

Contract standard

SYSTEM 1-2-3 LOUNGE CHAIR DELUXE, 1973

FURNITURE

Design by Verner Panton



Item no.	Price gr.	Upholstery	Colli qty.	Prod. time	Net weight	LIST PRICE (USD)
131394	F1	Linara, Remix	1 pc	6-8 weeks	16,5 kg	2.403
	F2	Canvas, Re-wool	1 pc	6-8 weeks	16,5 kg	2.724
	F3	Divina, Divina MD, Divina Melange, Hallingdal Steelcut Trio, Steelcut Quartet, Tonus	1 pc	6-8 weeks	16,5 kg	3.044
	F4	Vidar	1 pc	6-8 weeks	16,5 kg	3.365
	F5	Karakorum	1 pc	6-8 weeks	16,5 kg	3.685
	F6	Alpaca Alto, Argo, A Soft Place	1 pc	6-8 weeks	16,5 kg	4.647
	L1	Ultra	1 pc	6-8 weeks	16,5 kg	3.685
	L2	Envy, Savanne	1 pc	6-8 weeks	16,5 kg	4.647
	L3	Duet	1 pc	6-8 weeks	16,5 kg	4.967
	COM		1 pc	6-8 weeks	16,5 kg	2.403
	COL		1 pc	6-8 weeks	16,5 kg	3.685

Item no.	Add on	Colli qty.	Prod. time	LIST PRICE (USD)
118140	Felt for System 1-2-3 Round base	1 pc	Stock item	15

Material

Steel frame. HR foam (Cal117) as standard. CMHR foam (CRIB5) upon request. Brushed aluminum base.

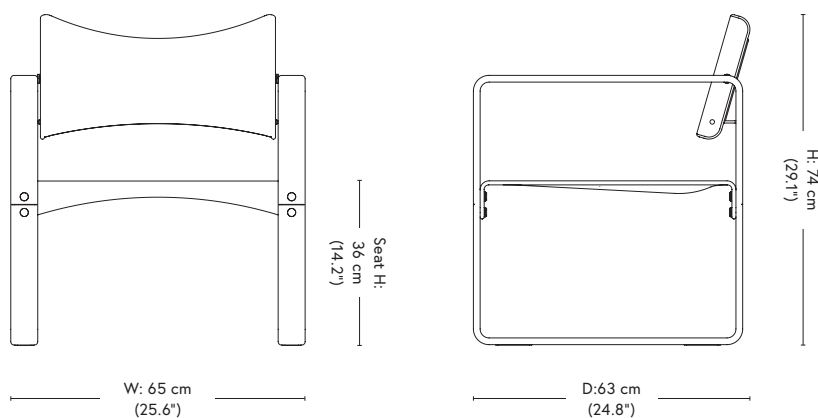
Test & Certifications

Contract standard

SERIES 270 F ARMCHAIR 1965/66

FURNITURE

Design by Verner Panton



Item no.	Colour	Colli qty.	Lead time	Net weight	LIST PRICE (USD)
147398	Orange	1 pc	Stock item	7 kg	1.361
147399	Red	1 pc	Stock item	7 kg	1.361
147400	Blue	1 pc	Stock item	7 kg	1.361
147397	Black	1 pc	Stock item	7 kg	1.361
147396	Honey-stained	1 pc	Stock item	7 kg	1.361

CIRCULAR SHAPE CUSHION Ø42

Item no.	Textile/Leather	Colli qty.	Lead time	Net weight	LIST PRICE (USD)
155870	Orange textile, Hallingdal 65 590	1 pc	Stock item	0,7 kg	200
155873	Red textile, Hallingdal 65 657	1 pc	Stock item	0,7 kg	200
155874	Blue textile, Hallingdal 65 763	1 pc	Stock item	0,7 kg	200
155872	Black leather, Envy Black 20321	1 pc	Stock item	0,7 kg	232
155875	Honey-stained leather, Terra Ochre 20363	1 pc	Stock item	0,7 kg	264

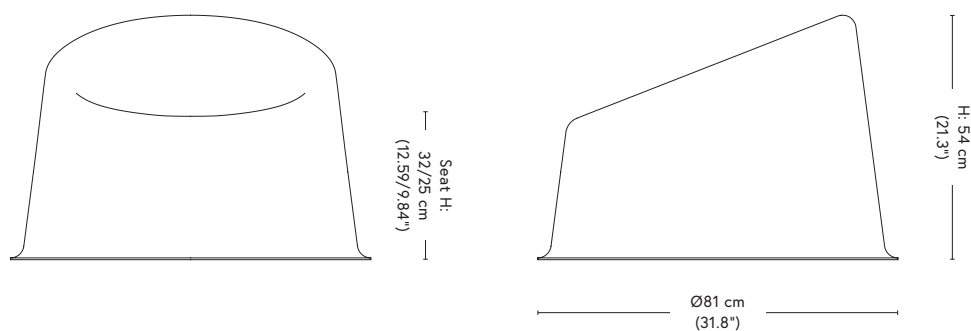
Material

Chair: Bent and painted/stained FSC certified birch plywood. Cushion: CMHR Foam. Kvadrat Hallingdal textile (70% new wool, 30% viscose) or Sørensen OEKO-TEX® leather.

PANTO POP 1969

FURNITURE

Design by Verner Panton



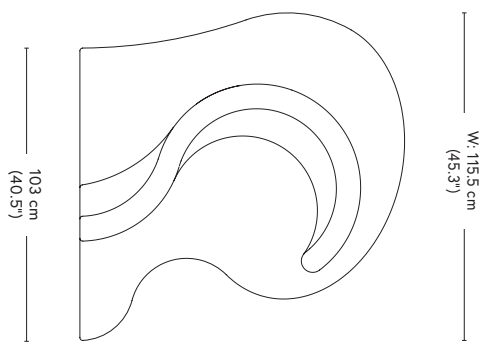
Item no.	Colour	Colli qty.	Lead time	Net weight	LIST PRICE (USD)
115772	White	1 pc	Stock item	4,76 kg	208
124911	Dark Green	1 pc	Stock item	4,76 kg	208
124912	Yellow	1 pc	Stock item	4,76 kg	208
124913	Grey	1 pc	Stock item	4,76 kg	208

Material
Polypropylene.

CLOVERLEAF SOFA 1969

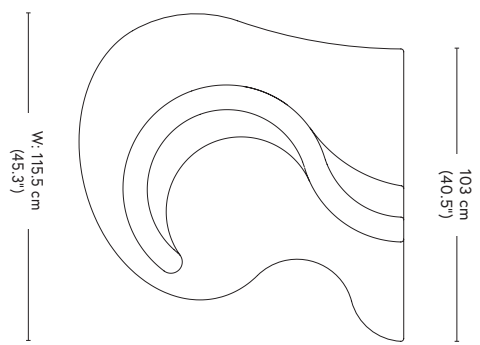
FURNITURE

Design by Verner Pantan



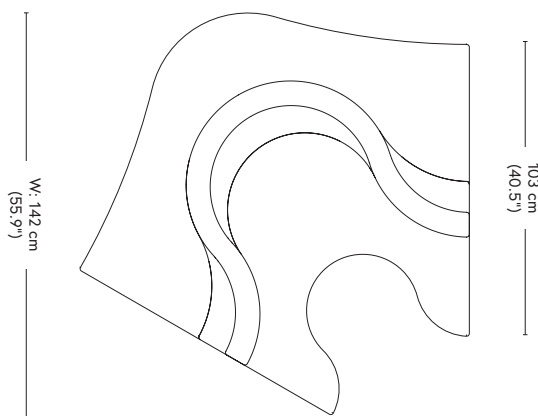
L: 114.5
cm (45.1")

Left Unit



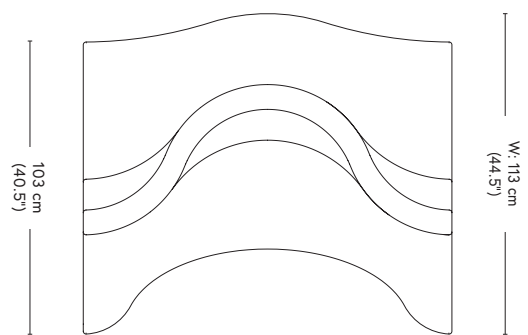
L: 114.5
cm (45.1")

Right Unit



D: 137 cm
(53.9")

Middle Unit



L: 130 cm
(51.2")

Extension Unit

H: 80 cm (31.5") / Seat height: 40 cm (15.7")

CLOVERLEAF SOFA

1969

FURNITURE

Design by Verner Panton

Item no	Unit	Price gr.	Upholstery	Colli qty.	Prod. time	Net weight	LIST PRICE (USD)
131405	Left	F1	Remix	1 pc	6-8 weeks	46,5 kg	5.008
131407	Right					46,5 kg	5.008
131409	Middle					57,5 kg	6.090
131411	Extension					53,5 kg	6.410
131405	Left	F2	Re-wool	1 pc	6-8 weeks	46,5 kg	5.608
131407	Right					46,5 kg	5.608
131409	Middle					57,5 kg	6.730
131411	Extension					53,5 kg	7.211
131405	Left	F3	Divina, Divina MD, Divina Melange, Hallingdal,	1 pc	6-8 weeks	46,5 kg	6.731
131407	Right		Steelcut Trio, Steelcut Quartet, Tonus			46,5 kg	6.731
131409	Middle					57,5 kg	7.853
131411	Extension					53,5 kg	8.413
131405	Left	F4	Sunday, Vidar	1 pc	6-8 weeks	46,5 kg	7.933
131407	Right					46,5 kg	7.933
131409	Middle					57,5 kg	9.295
131411	Extension					53,5 kg	10.128
131405	Left	F5	Karakorum	1 pc	6-8 weeks	46,5 kg	8.253
131407	Right					46,5 kg	8.253
131409	Middle					57,5 kg	9.615
131411	Extension					53,5 kg	10.897
131405	Left	F6	Alpaca Alto, Argo, A Soft Place, Gentle	1 pc	6-8 weeks	46,5 kg	9.135
131407	Right					46,5 kg	9.135
131409	Middle					57,5 kg	11.218
131411	Extension					53,5 kg	13.141
131405	Left	COM		1 pc	6-8 weeks	46,5 kg	5.008
131407	Right					46,5 kg	5.008
131409	Middle					57,5 kg	6.090
131411	Extension					53,5 kg	6.410

Item no.	Unit	Add on	Colli qty.	Lead time	LIST PRICE (USD)
	Left	Plinth 4 cm, black painted wood	1 pc	6-8 weeks	400
	Right		1 pc	6-8 weeks	400
	Middle		1 pc	6-8 weeks	592
	Extension		1 pc	6-8 weeks	592
134797		Power Pixel, integrated charging station incl. power outlet, USB- and data port.	1 pc	6-8 weeks	1.121

Material

TSCA wood. HR foam (Cal117) as standard.
CMHR Foam (CRIB5) upon request. Plastic connector brackets. Adjustable nylon gliders.

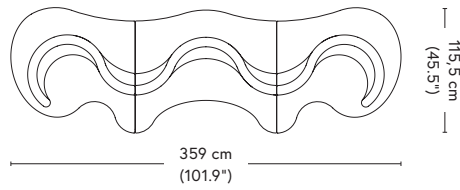
Test & Certifications

Contract standard

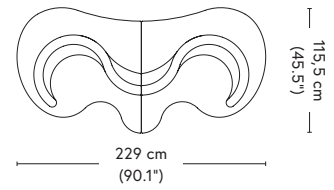
CLOVERLEAF SOFA 1969

FURNITURE

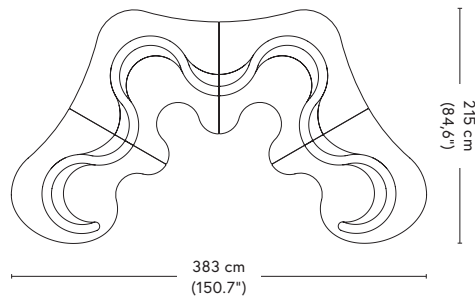
Design by Verner Pantan



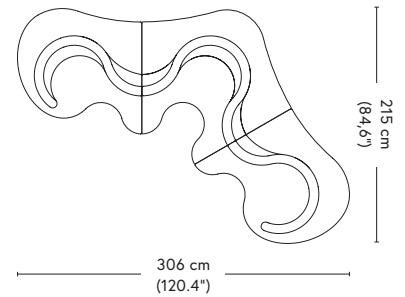
2 UNITS + 1 EXT.
Seat capacity min. 5



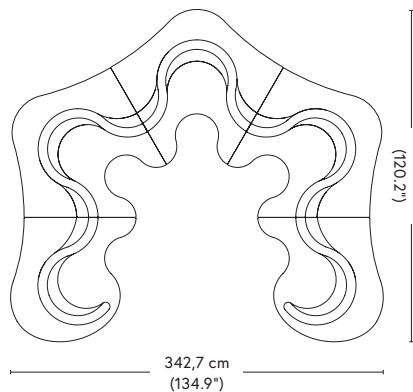
2 UNITS
Seat capacity min. 3



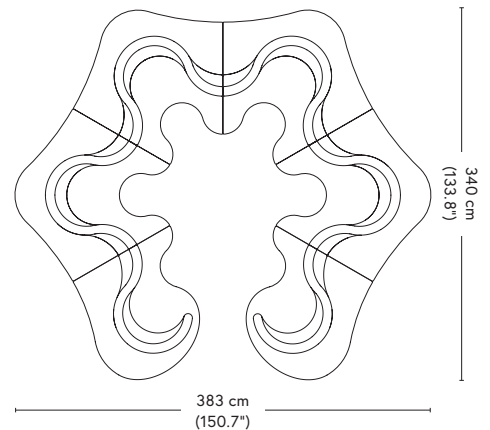
4 UNITS
Seat capacity min. 7



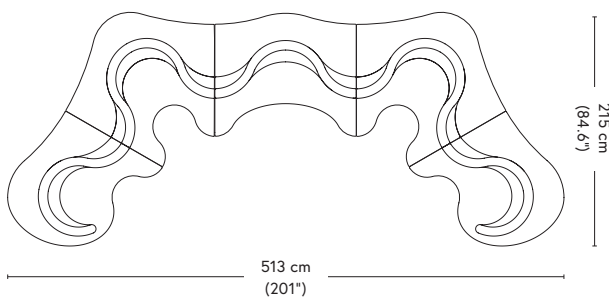
3 UNITS
Seat capacity min. 5



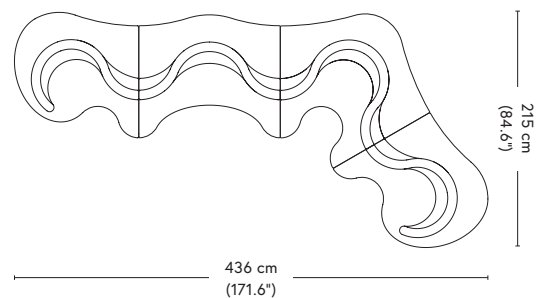
5 UNITS
Seat capacity min. 9



6 UNITS
Seat capacity min. 11



4 UNITS + 1 EXT.
Seat capacity min. 9

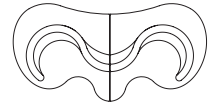


3 UNITS + 1 EXT.
Seat capacity min. 7

CLOVERLEAF SOFA 1969

FURNITURE

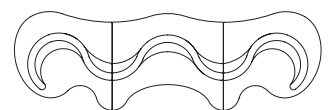
Design by Verner Panton



2 UNITS
(131405 + 131407)

Price gr.	Upholstery	Colli qty.	Prod. time	Net weight	LIST PRICE (USD)
F1	Remix	1 pc	6-8 weeks	93 kg	10.016
F2	Re-wool	1 pc	6-8 weeks	93 kg	11.216
F3	Divina, Divina MD, Divina Melange, Hallingdal, Steelcut Trio, Steelcut Quartet, Tonus	1 pc	6-8 weeks	93 kg	13.462
F4	Sunday, Vidar	1 pc	6-8 weeks	93 kg	15.865
F5	Karakorum	1 pc	6-8 weeks	93 kg	16.506
F6	Alpaca Alto, Argo, A Soft Place, Gentle	1 pc	6-8 weeks	93 kg	18.269
COM		1 pc	6-8 weeks	93 kg	10.016

Test & Certifications
Contract standard



2 UNITS + 1 EXT.
(131405 + 131411 + 131407)

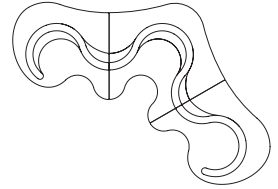
Price gr.	Upholstery	Colli qty.	Prod. time	Net weight	LIST PRICE (USD)
F1	Remix	1 pc	6-8 weeks	146,5 kg	16.426
F2	Re-wool	1 pc	6-8 weeks	146,5 kg	18.427
F3	Divina, Divina MD, Divina Melange, Hallingdal, Steelcut Trio, Steelcut Quartet, Tonus	1 pc	6-8 weeks	146,5 kg	21.875
F4	Sunday, Vidar	1 pc	6-8 weeks	146,5 kg	25.994
F5	Karakorum	1 pc	6-8 weeks	146,5 kg	27.404
F6	Alpaca Alto, Argo, A Soft Place, Gentle	1 pc	6-8 weeks	146,5 kg	31.410
COM		1 pc	6-8 weeks	146,5 kg	16.426

Test & Certifications
Contract standard

CLOVERLEAF SOFA 1969

FURNITURE

Design by Verner Panton

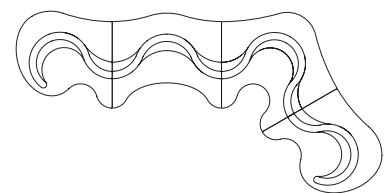


3 UNITS

(131405 + 131407 + 131409)

Price gr.	Upholstery	Colli qty.	Prod. time	Net weight	LIST PRICE (USD)
F1	Remix	1 pc	6-8 weeks	150,5 kg	16.106
F2	Re-wool	1 pc	6-8 weeks	150,5 kg	17.946
F3	Divina, Divina MD, Divina Melange, Hallingdal, Steelcut Trio, Steelcut Quartet, Tonus	1 pc	6-8 weeks	150,5 kg	21.314
F4	Sunday, Vidar	1 pc	6-8 weeks	150,5 kg	25.160
F5	Karakorum	1 pc	6-8 weeks	150,5 kg	26.122
F6	Alpaca Alto, Argo, A Soft Place, Gentle	1 pc	6-8 weeks	150,5 kg	29.487
COM		1 pc	6-8 weeks	150,5 kg	16.106

Test & Certifications
Contract standard



3 UNITS + 1 EXT.

(131405 + 131407 + 131409 + 131411)

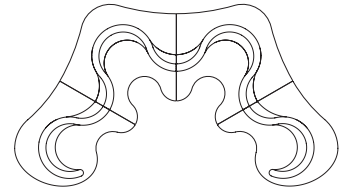
Price gr.	Upholstery	Colli qty.	Prod. time	Net weight	LIST PRICE (USD)
F1	Remix	1 pc	6-8 weeks	204 kg	22.516
F2	Re-wool	1 pc	6-8 weeks	204 kg	25.157
F3	Divina, Divina MD, Divina Melange, Hallingdal, Steelcut Trio, Steelcut Quartet, Tonus	1 pc	6-8 weeks	204 kg	29.728
F4	Sunday, Vidar	1 pc	6-8 weeks	204 kg	35.288
F5	Karakorum	1 pc	6-8 weeks	204 kg	37.019
F6	Alpaca Alto, Argo, A Soft Place, Gentle	1 pc	6-8 weeks	204 kg	42.628
COM		1 pc	6-8 weeks	204 kg	22.516

Test & Certifications
Contract standard

CLOVERLEAF SOFA 1969

FURNITURE

Design by Verner Panton

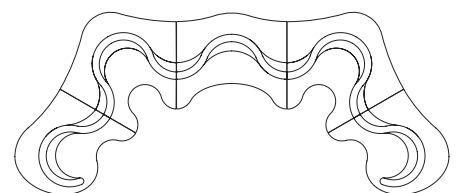


4 UNITS

(131405 + 131407 + 2 × 131409)

Price gr.	Upholstery	Colli qty.	Prod. time	Net weight	LIST PRICE (USD)
F1	Remix	1 pc	6-8 weeks	208 kg	22.196
F2	Re-wool	1 pc	6-8 weeks	208 kg	24.676
F3	Divina, Divina MD, Divina Melange, Hallingdal, Steelcut Trio, Steelcut Quartet, Tonus	1 pc	6-8 weeks	208 kg	29.167
F4	Sunday, Vidar	1 pc	6-8 weeks	208 kg	34.455
F5	Karakorum	1 pc	6-8 weeks	208 kg	35.737
F6	Alpaca Alto, Argo, A Soft Place, Gentle	1 pc	6-8 weeks	208 kg	40.705
COM		1 pc	6-8 weeks	208 kg	22.196

Test & Certifications
Contract standard



4 UNITS + 1 EXT.

(131405 + 131407 + 2 × 131409 + 131411)

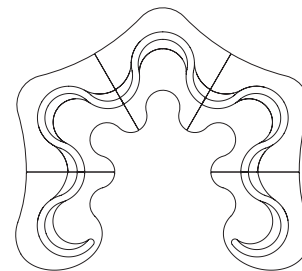
Price gr.	Upholstery	Colli qty.	Prod. time	Net weight	LIST PRICE (USD)
F1	Remix	1 pc	6-8 weeks	261,5 kg	28.606
F2	Re-wool	1 pc	6-8 weeks	261,5 kg	31.887
F3	Divina, Divina MD, Divina Melange, Hallingdal, Steelcut Trio, Steelcut Quartet, Tonus	1 pc	6-8 weeks	261,5 kg	37.580
F4	Sunday, Vidar	1 pc	6-8 weeks	261,5 kg	44.583
F5	Karakorum	1 pc	6-8 weeks	261,5 kg	46.635
F6	Alpaca Alto, Argo, A Soft Place, Gentle	1 pc	6-8 weeks	261,5 kg	53.846
COM		1 pc	6-8 weeks	261,5 kg	28.606

Test & Certifications
Contract standard

CLOVERLEAF SOFA 1969

FURNITURE

Design by Verner Panton

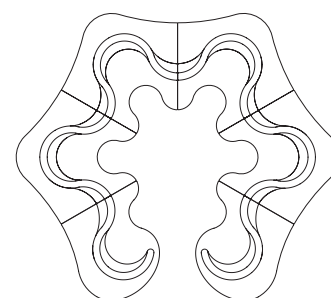


5 UNITS

(131405 + 131407 + 3 × 131409)

Price gr.	Upholstery	Colli qty.	Prod. time	Net weight	LIST PRICE (USD)
F1	Remix	1 pc	6-8 weeks	265,5 kg	28.285
F2	Re-wool	1 pc	6-8 weeks	265,5 kg	31.406
F3	Divina, Divina MD, Divina Melange, Hallingdal, Steelcut Trio, Steelcut Quartet, Tonus	1 pc	6-8 weeks	265,5 kg	37.019
F4	Sunday, Vidar	1 pc	6-8 weeks	265,5 kg	43.750
F5	Karakorum	1 pc	6-8 weeks	265,5 kg	45.353
F6	Alpaca Alto, Argo, A Soft Place, Gentle	1 pc	6-8 weeks	265,5 kg	51.923
COM		1 pc	6-8 weeks	265,5 kg	28.285

Test & Certifications
Contract standard



6 UNITS

(131405 + 131407 + 4 × 131409)

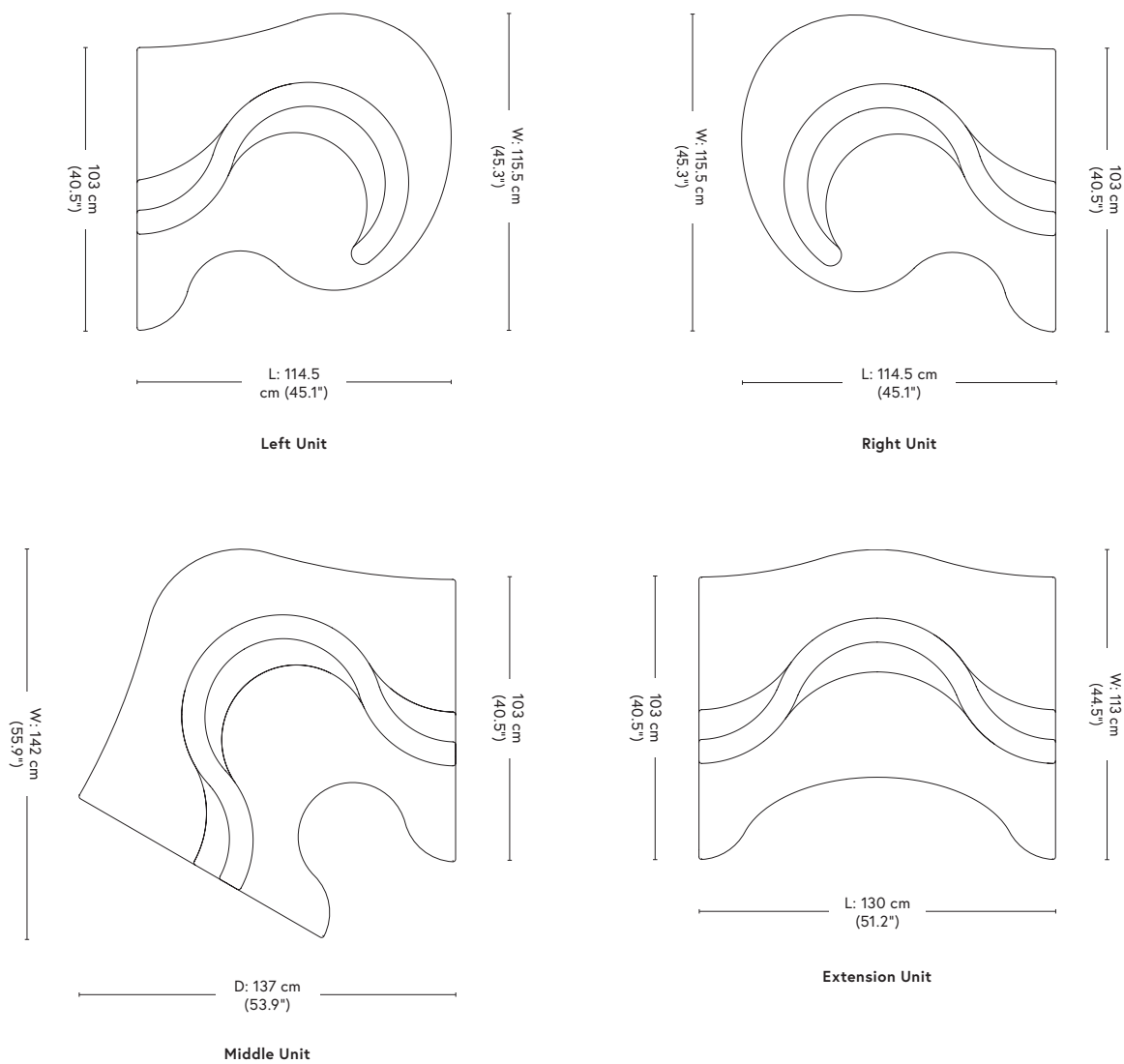
Price gr.	Upholstery	Colli qty.	Prod. time	Net weight	LIST PRICE (USD)
F1	Remix	1 pc	6-8 weeks	323 kg	34.375
F2	Re-wool	1 pc	6-8 weeks	323 kg	38.136
F3	Divina, Divina MD, Divina Melange, Hallingdal, Steelcut Trio, Steelcut Quartet, Tonus	1 pc	6-8 weeks	323 kg	44.872
F4	Sunday, Vidar	1 pc	6-8 weeks	323 kg	53.045
F5	Karakorum	1 pc	6-8 weeks	323 kg	54.968
F6	Alpaca Alto, Argo, A Soft Place, Gentle	1 pc	6-8 weeks	323 kg	63.141
COM		1 pc	6-8 weeks	323 kg	34.375

Test & Certifications
Contract standard

CLOVERLEAF SOFA IN/OUTDOOR 1969

FURNITURE

Design by Verner Panton



H: 80 cm (31.5") / Seat height: 40 cm (15.7")

Item no.	Product	Colli qty.	Prod. time	Net weight	LIST PRICE (USD)
134818	Right unit	1 pc	4-6 weeks	40 kg	3.108
134819	Left unit	1 pc	4-6 weeks	40 kg	3.108
134820	Middle Unit	1 pc	4-6 weeks	51 kg	4.374
134821	Extension Unit	1 pc	4-6 weeks	47 kg	4.374

Colours

Yellow, Orange, Red, Lime, Grass Green, Sky Blue, Dark Blue, Black, Grey, Opal White, White (Custom RAL colours available on request, please contact us for delivery time.)

Material

PE polyethylen.

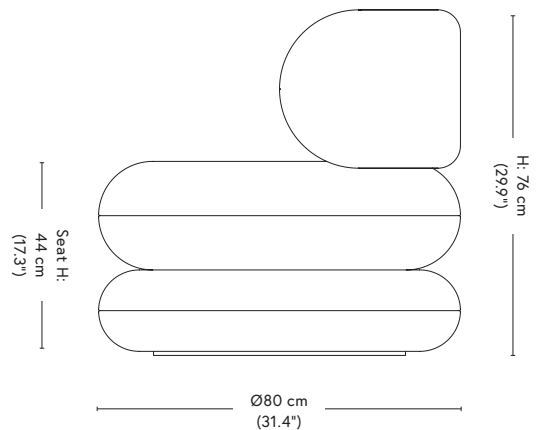
Test & Certifications

Contract standard

EASY CHAIR 1963

FURNITURE

Design by Verner Panton



Item no.	Price gr.	Upholstery	Colli qty.	Prod. time	Net weight	LIST PRICE (USD)
140058	F1	Linara, Remix	1 pc	6 weeks	41 kg	2.884
	F2	Canvas, Re-wool	1 pc	6 weeks	41 kg	3.204
	F3	Divina, Divina MD, Divina Melange, Hallingdal, Steelcut Trio, Steelcut Quartet, Tonus	1 pc	6 weeks	41 kg	3.525
	F4	Vidar	1 pc	6 weeks	41 kg	3.845
	F5	Karakorum	1 pc	6 weeks	41 kg	4.486
	F6	Alpaca Alto, Argo, A Soft Place, Gentle	1 pc	6 weeks	41 kg	5.448
	COM		1 pc	6 weeks	41 kg	2.884

Material

FSC & TSCA certified plywood, MDP and MDF.
HR foam (Cal117) as standard CMHR foam (CRIB5)
upon request.

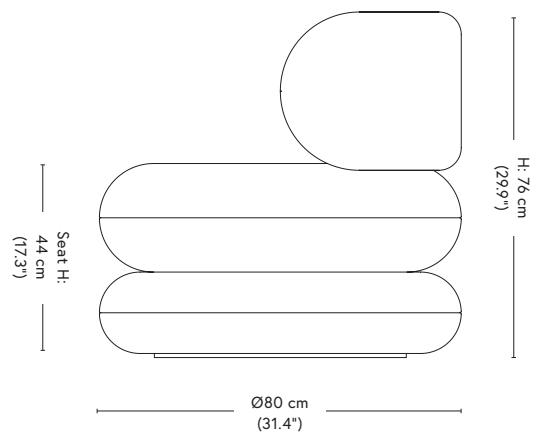
Test & Certifications

Contract standard

EASY CHAIR WITH SWIVEL 1963

FURNITURE

Design by Verner Panton



Item no.	Price gr.	Upholstery	Colli qty.	Prod. time	Net weight	LIST PRICE (USD)
139987	F1	Linara, Remix	1 pc	6 weeks	41 kg	3.044
	F2	Canvas, Re-wool	1 pc	6 weeks	41 kg	3.365
	F3	Divina, Divina MD, Divina Melange, Hallingdal, Steelcut Trio, Steelcut Quartet, Tonus	1 pc	6 weeks	41 kg	3.685
	F4	Vidar	1 pc	6 weeks	41 kg	4.006
	F5	Karakorum	1 pc	6 weeks	41 kg	4.647
	F6	Alpaca Alto, Argo, A Soft Place, Gentle	1 pc	6 weeks	41 kg	5.608
	COM		1 pc	6 weeks	41 kg	3.044

Material

FSC & TSCA certified plywood, MDP and MDF.
HR foam (Cal117) as standard CMHR foam (CRIB5)
upon request.

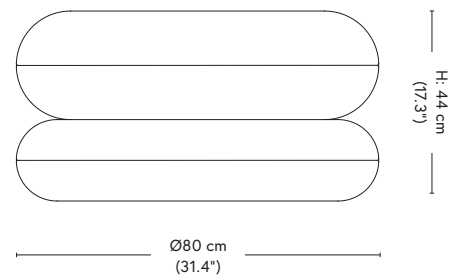
Test & Certifications

Contract standard

EASY POUF 1963

FURNITURE

Design by Verner Panton



Item no.	Price gr.	Upholstery	Colli qty.	Prod. time	Net weight	LIST PRICE (USD)
131397	F1	Linara, Remix	1 pc	6 weeks	20 kg	2.083
	F2	Canvas, Re-wool	1 pc	6 weeks	20 kg	2.403
	F3	Divina, Divina MD, Divina Melange, Hallingdal, Steelcut Trio, Steelcut Quartet, Tonus	1 pc	6 weeks	20 kg	2.724
	F4	Vidar	1 pc	6 weeks	20 kg	2.884
	F5	Karakorum	1 pc	6 weeks	20 kg	3.525
	F6	Alpaca Alto, Argo, A Soft Place, Gentle	1 pc	6 weeks	20 kg	4.006
	COM		1 pc	6 weeks	20 kg	2.083

Material

FSC & TSCA certified plywood, MDP and MDF.
HR foam (Cal117) as standard CMHR foam (CRIB5)
upon request.

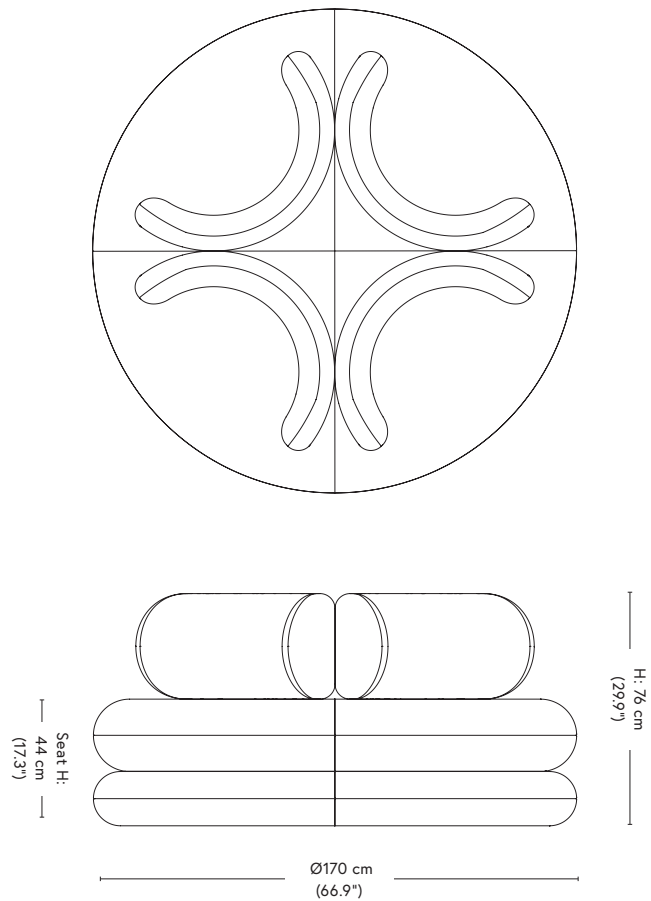
Test & Certifications

Contract standard

EASY SOFA 1963

FURNITURE

Design by Verner Panton



Item no.	Price gr.	Upholstery	Colli qty.	Prod. time	Net weight	LIST PRICE (USD)
140059	F1	Linara, Remix	1 pc	6 weeks	111 kg	8.012
	F2	Canvas, Re-wool	1 pc	6 weeks	111 kg	10.416
	F3	Divina, Divina MD, Divina Melange, Hallingdal, Steelcut Trio, Steelcut Quartet, Tonus	1 pc	6 weeks	111 kg	11.217
	F4	Vidar	1 pc	6 weeks	111 kg	12.018
	F5	Karakorum	1 pc	6 weeks	111 kg	15.224
	F6	Alpaca Alto, Argo, A Soft Place, Gentle	1 pc	6 weeks	111 kg	16.025
	COM		1 pc	6 weeks	111 kg	8.012

Item no.	Add on	Colli qty.	Prod. time	LIST PRICE (USD)
140060	Electrical sockets	1 pc	Stock item	1.602

Material

FSC & TSCA certified plywood, MDP and MDF.
HR foam (Cal117) as standard, VB foam and fire resistant CH foam upon request.

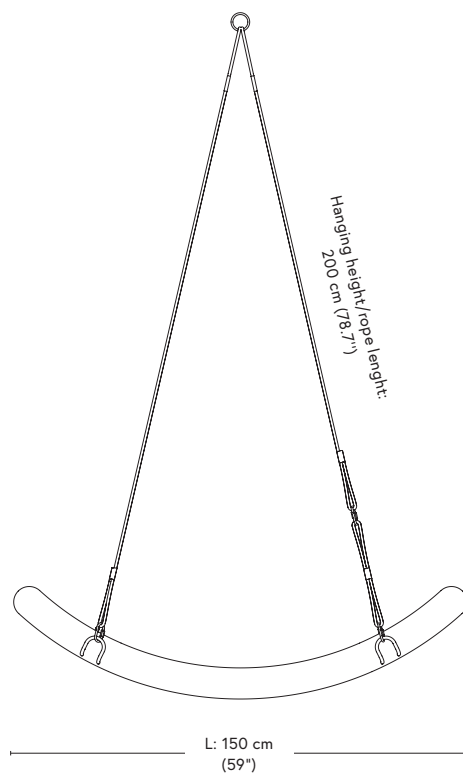
Test & Certifications

Contract standard

FLYING CHAIR 1964

FURNITURE

Design by Verner Panton



Item no.	Price gr.	Upholstery	Colli qty.	Prod. time	Net weight	LIST PRICE (USD)
131404	F1	Linara, Remix	1 pc	6-8 weeks	20 kg	2.804
	F2	Re-wool	1 pc	6-8 weeks	20 kg	3.044
	F3	Divina, Divina MD, Divina Melange, Hallingdal, Steelcut Trio, Steelcut Quartet, Tonus	1 pc	6-8 weeks	20 kg	3.284
	F4	Vidar	1 pc	6-8 weeks	20 kg	3.685
	F5	Karakorum	1 pc	6-8 weeks	20 kg	4.246
	F6	-	1 pc	6-8 weeks	20 kg	5.127
	COM		1 pc	6-8 weeks	20 kg	2.804

Material

FSC-approved form pressed plywood, supporting steel frame, CMHR foam, polyester ropes with steel fixtures.

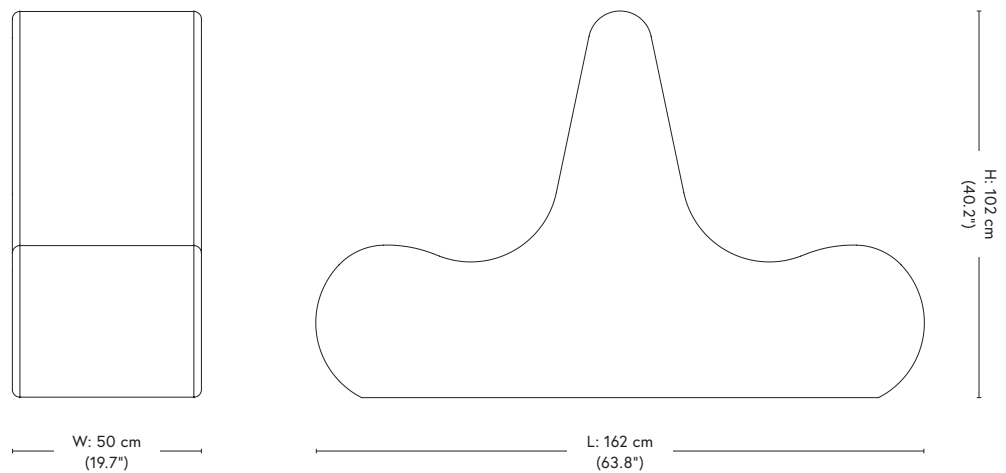
Test & Certifications

Contract standard

WELLE 1 1969

FURNITURE

Design by Verner Panton



Item no.	Price gr.	Upholstery	Colli qty.	Prod. time	Net weight	LIST PRICE (USD)
131398	F1	Linara, Remix	1 pc	6-8 weeks	25 kg	2.083
	F2	Canvas, Re-wool	1 pc	6-8 weeks	25 kg	2.243
	F3	Divina, Divina MD, Divina Melange, Hallingdal, Steelcut Trio, Steelcut Quartet, Tonus	1 pc	6-8 weeks	25 kg	2.483
	F4	Vidar	1 pc	6-8 weeks	25 kg	2.724
	F5	Karakorum	1 pc	6-8 weeks	25 kg	3.044
	F6	Alpaca Alto, Argo, A Soft Place, Gentle	1 pc	6-8 weeks	25 kg	3.845
	COM		1 pc	6-8 weeks	25 kg	2.083

Material

Frame in FSC certified plywood. HR foam (Cal117) as standard. CMHR foam (CRIB5) upon request.

Test & Certifications

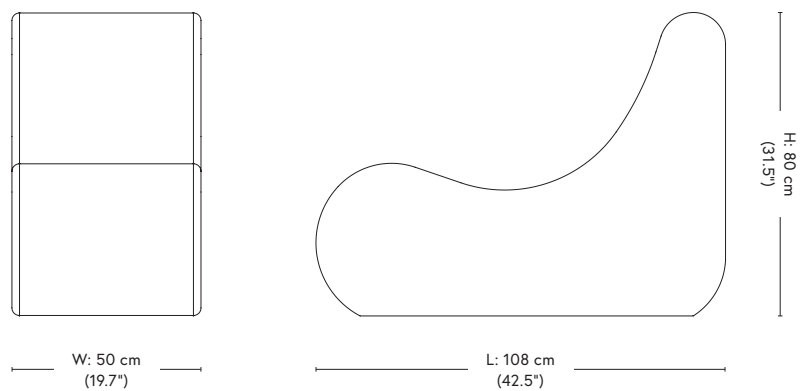
Contract standard

WELLE 2

1969

FURNITURE

Design by Verner Pantan



Item no.	Price gr.	Upholstery	Colli qty.	Prod. time	Net weight	LIST PRICE (USD)
131399	F1	Linara, Remix	1 pc	6-8 weeks	15 kg	1.201
	F2	Canvas, Re-wool	1 pc	6-8 weeks	15 kg	1.281
	F3	Divina, Divina MD, Divina Melange, Hallingdal, Steelcut Trio, Steelcut Quartet, Tonus	1 pc	6-8 weeks	15 kg	1.442
	F4	Vidar	1 pc	6-8 weeks	15 kg	1.682
	F5	Karakorum	1 pc	6-8 weeks	15 kg	1.922
	F6	Alpaca Alto, Argo, A Soft Place, Gentle	1 pc	6-8 weeks	15 kg	2.563
	COM		1 pc	6-8 weeks	15 kg	1.201

Material

Frame in FSC certified plywood. HR foam (Cal117) as standard. CMHR foam (CRIB5) upon request.

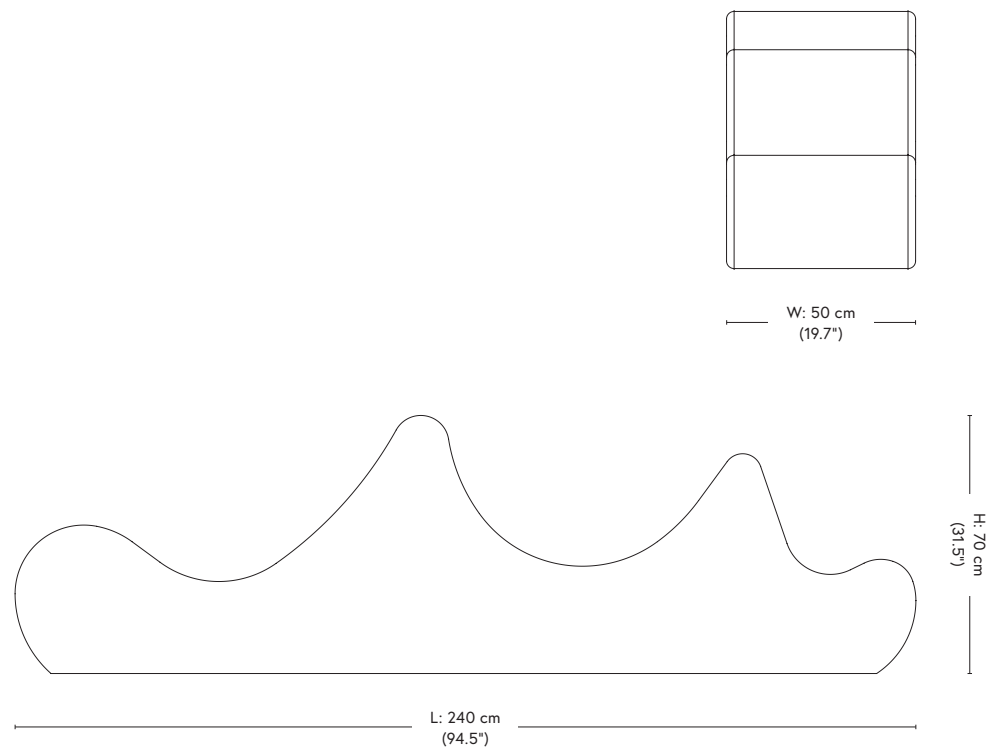
Test & Certifications

Contract standard

WELLE 3 1969

FURNITURE

Design by Verner Panton



Item no.	Price gr.	Upholstery	Colli qty.	Prod. time	Net weight	LIST PRICE (USD)
131400	F1	Linara, Remix	1 pc	6-8 weeks	25 kg	2.403
	F2	Canvas, Re-wool	1 pc	6-8 weeks	25 kg	2.563
	F3	Divina, Divina MD, Divina Melange, Hallingdal, Steelcut Trio, Steelcut Quartet, Tonus	1 pc	6-8 weeks	25 kg	2.884
	F4	Vidar	1 pc	6-8 weeks	25 kg	3.365
	F5	Karakorum	1 pc	6-8 weeks	25 kg	3.845
	F6	Alpaca Alto, Argo, A Soft Place, Gentle	1 pc	6-8 weeks	25 kg	4.807
	COM		1 pc	6-8 weeks	25 kg	2.403

Material

Frame in FSC certified plywood. HR foam (Cal117) as standard. CMHR foam (CRIB5) upon request.

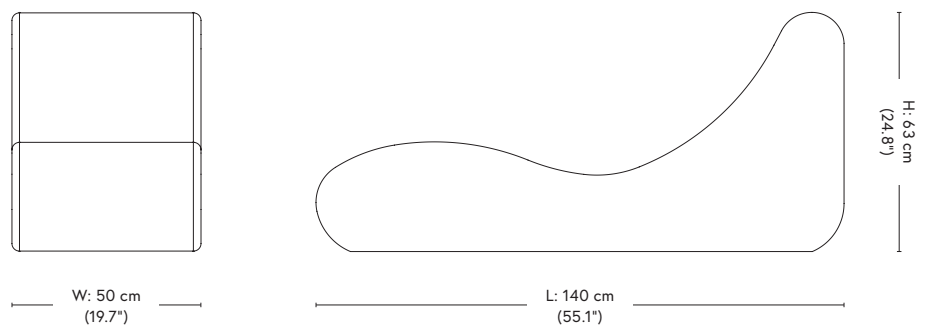
Test & Certifications

Contract standard

WELLE 4 1969

FURNITURE

Design by Verner Panton



Item no.	Price gr.	Upholstery	Colli qty.	Prod. time	Net weight	LIST PRICE (USD)
131401	F1	Linara, Remix	1 pc	6-8 weeks	15 kg	1.281
	F2	Canvas, Re-wool	1 pc	6-8 weeks	15 kg	1.361
	F3	Divina, Divina MD, Divina Melange, Hallingdal, Steelcut Trio, Steelcut Quartet, Tonus	1 pc	6-8 weeks	15 kg	1.522
	F4	Vidar	1 pc	6-8 weeks	15 kg	1.762
	F5	Karakorum	1 pc	6-8 weeks	15 kg	2.002
	F6	Alpaca Alto, Argo, A Soft Place, Gentle	1 pc	6-8 weeks	15 kg	2.724
	COM		1 pc	6-8 weeks	15 kg	1.281

Material

Frame in FSC certified plywood. HR foam (Cal117) as standard. CMHR foam (CRIB5) upon request.

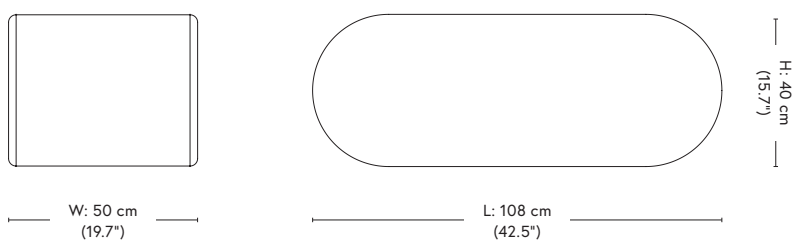
Test & Certifications

Contract standard

WELLE 5 1969

FURNITURE

Design by Verner Panton



Item no.	Price gr.	Upholstery	Colli qty.	Prod. time	Net weight	LIST PRICE (USD)
131402	F1	Linara, Remix	1 pc	6-8 weeks	10 kg	961
	F2	Canvas, Re-wool	1 pc	6-8 weeks	10 kg	1.041
	F3	Divina, Divina MD, Divina Melange, Hallingdal, Steelcut Trio, Steelcut Quartet, Tonus	1 pc	6-8 weeks	10 kg	1.201
	F4	Vidar	1 pc	6-8 weeks	10 kg	1.361
	F5	Karakorum	1 pc	6-8 weeks	10 kg	1.602
	F6	Alpaca Alto, Argo, A Soft Place, Gentle	1 pc	6-8 weeks	10 kg	2.083
	COM		1 pc	6-8 weeks	10 kg	961

Material

Frame in FSC certified plywood. HR foam (Cal117) as standard. CMHR foam (CRIB5) upon request.

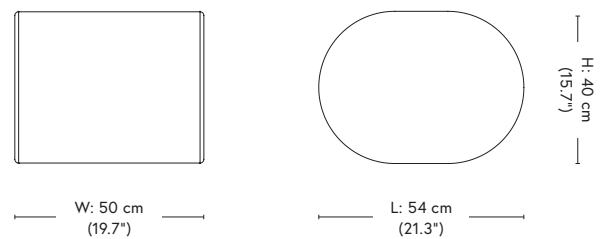
Test & Certifications

Contract standard

WELLE 6 1969

FURNITURE

Design by Verner Panton



Item no.	Price gr.	Upholstery	Colli qty.	Prod. time	Net weight	LIST PRICE (USD)
131403	F1	Linara, Remix	1 pc	6-8 weeks	6 kg	640
	F2	Canvas, Re-wool	1 pc	6-8 weeks	6 kg	672
	F3	Divina, Divina MD, Divina Melange, Hallingdal, Steelcut Trio, Steelcut Quartet, Tonus	1 pc	6-8 weeks	6 kg	800
	F4	Vidar	1 pc	6-8 weeks	6 kg	961
	F5	Karakorum	1 pc	6-8 weeks	6 kg	1.121
	F6	Alpaca Alto, Argo, A Soft Place, Gentle	1 pc	6-8 weeks	6 kg	1.522
	COM		1 pc	6-8 weeks	6 kg	640

Material

Frame in FSC certified plywood. HR foam (Cal117) as standard. CMHR foam (CRIB5) upon request.

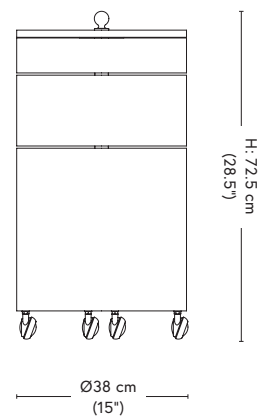
Test & Certifications

Contract standard

BARBOY 1963

FURNITURE

Design by Verner Panton



Item no.	Colour	Colli qty.	Lead time	Net weight	LIST PRICE (USD)
130581	Black	1 pc	Stock item	20 kg	1.201
130582	White	1 pc	Stock item	20 kg	1.201
130583	Blue	1 pc	Stock item	20 kg	1.201
130584	Orange	1 pc	Stock item	20 kg	1.201
130585	Mushroom	1 pc	Stock item	20 kg	1.201
130586	Lilac Grey	1 pc	Stock item	20 kg	1.201
144380	Glossy Creamy White	1 pc	Stock item	20 kg	1.602
144381	Glossy Deep Blue	1 pc	Stock item	20 kg	1.602
144382	Glossy Fresh Orange	1 pc	Stock item	20 kg	1.602

Item no.	Add on	Colli qty.	Lead time	Net weight	LIST PRICE (USD)
118880	Barboy Black Plastic Castors (4 pcs. needed)	1 pc	Stock item		15

Material

Molded and painted 100% FSC wood. Stainless steel knob. Chrome plated castors.

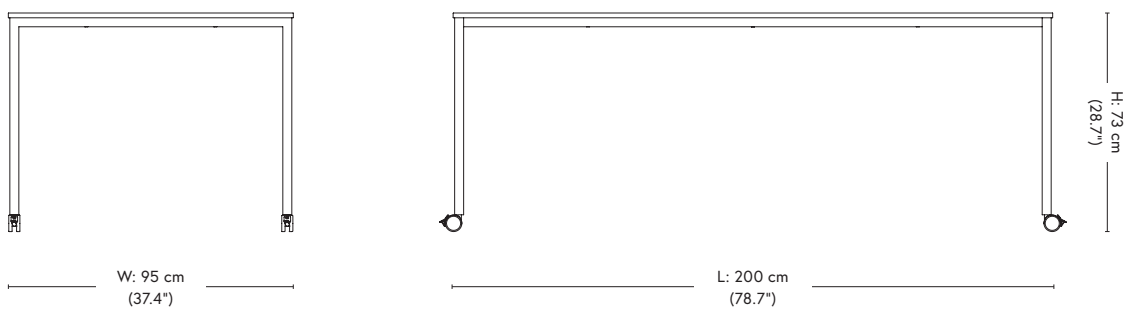
Test & Certifications

Contract standard

PANTON MOVE TABLE 1972

FURNITURE

Design by Verner Panton



Item no.	Colour	Colli qty.	Lead time	Net weight	LIST PRICE (USD)
116912	Black	1 pc	Stock item	45 kg	2.563
116913	White	1 pc	Stock item	45 kg	2.563

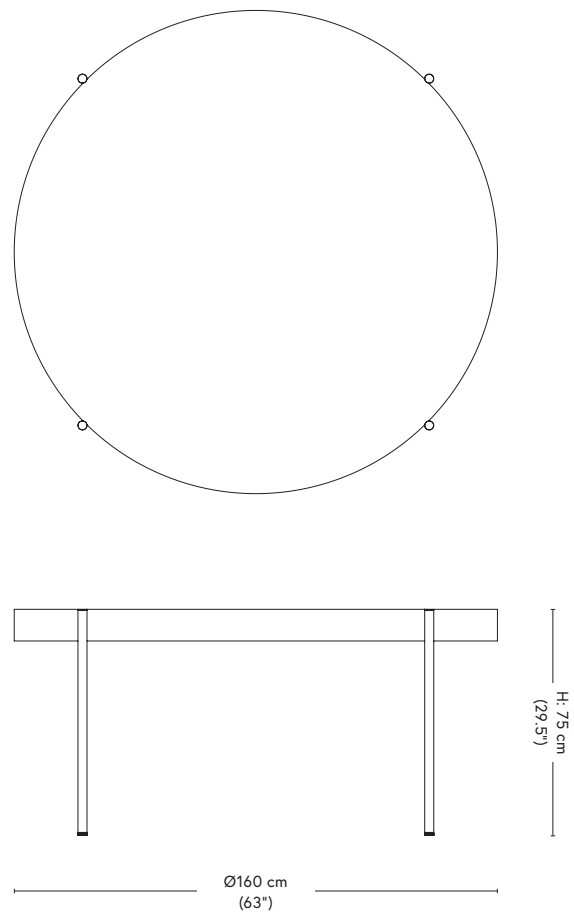
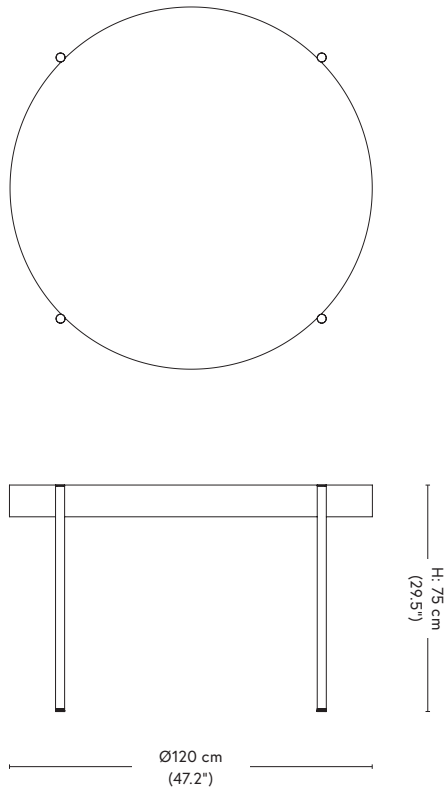
Material

Frame in powder coated square steel tube, MDF table top with Fenix nanotech laminate, mounted with lockable TENTE black wheels.

SERIES 430 TABLE 1967

FURNITURE

Design by Verner Panton



Item no.	Size	Colour	Colli qty.	Lead time	Net weight	LIST PRICE (USD)
116905	Ø120 cm (47.2")	White	1 pc	Stock item	34 kg	2.243
116906	Ø120 cm (47.2")	Black	1 pc	Stock item	34 kg	2.243
116909	Ø160 cm (63")	White	1 pc	Stock item	56 kg	3.044
116910	Ø160 cm (63")	Black	1 pc	Stock item	56 kg	3.044

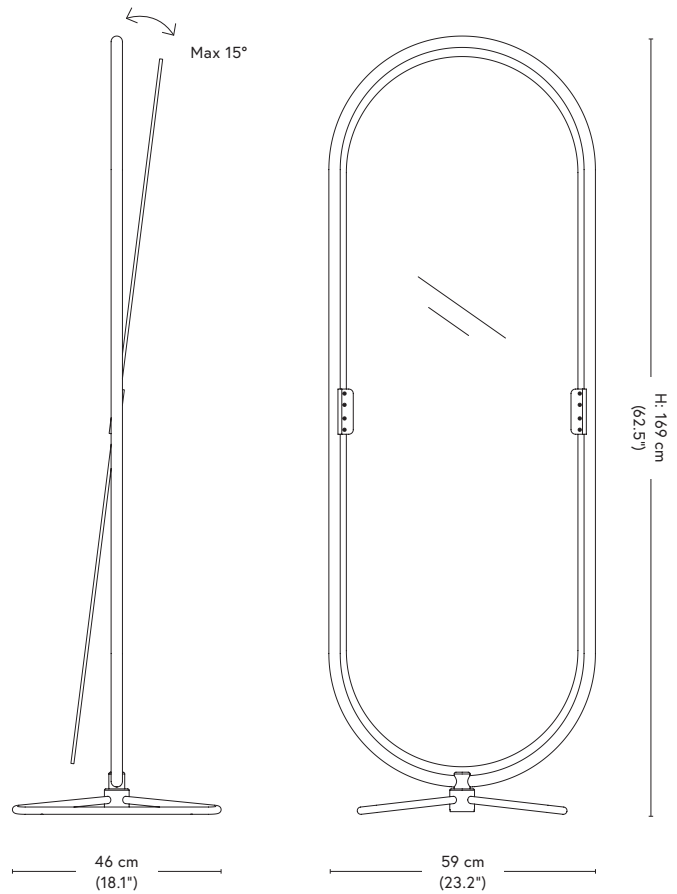
Material

Powder coated metal legs. MDF table top with Fenix nanotech laminate. Height adjustable feet.

SYSTEM I-2-3 MIRROR 1973

FURNITURE

Design by Verner Panton



Item no.	Product	Base	Colli qty.	Lead time	Net weight	LIST PRICE (USD)
118052	System 1-2-3 Mirror	Butterfly	1 pc	Stock item	24,5 kg	1.442

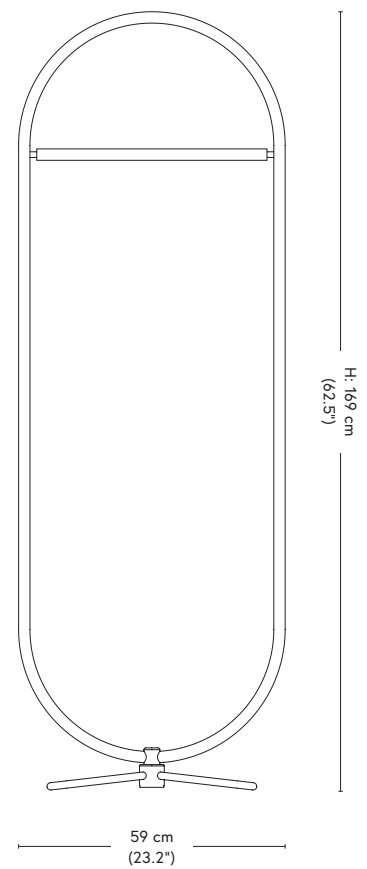
Material

Chrome plated steel. Glass mirror.

SYSTEM I-2-3 RACK 1973

FURNITURE

Design by Verner Panton



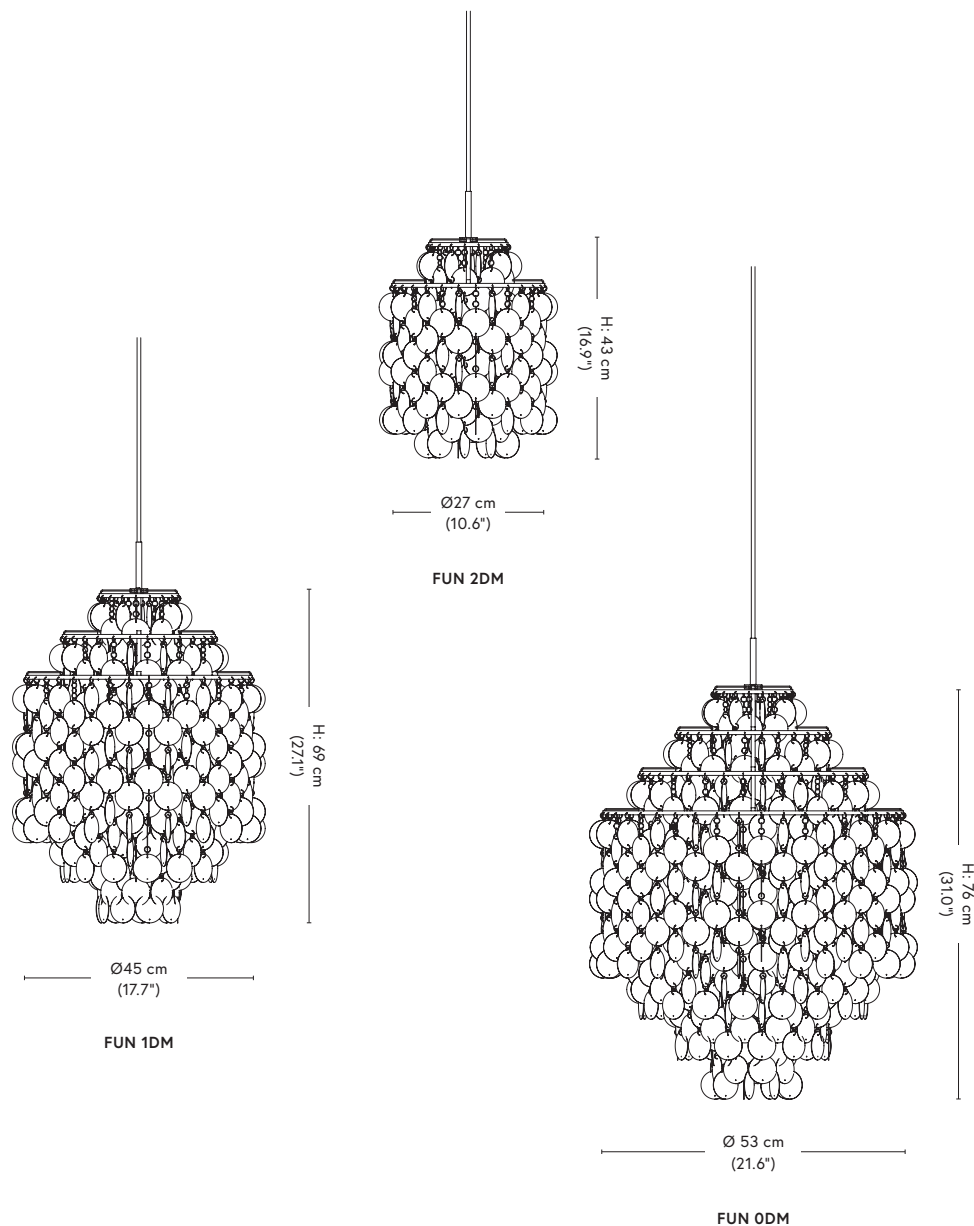
Item no.	Product	Base	Colli qty.	Lead time	Net weight	LIST PRICE (USD)
118064	System 1-2-3 Rack	Butterfly	1 pc	Stock item	10 kg	720

Material
Chrome plated steel.

FUN PENDANT 2DM/1DM/0DM 1964

LIGHTING

Design by Verner Pantton



Item no.	Product	Cord	Colli qty.	Lead time	Net weight	LIST PRICE (USD)
114534	FUN 2DM	Black fabric 400 cm (157.5")	1 pc	Stock item	2,5 kg	800
110492	FUN 1DM	Black fabric 400 cm (157.5")	1 pc	Stock item	4,0 kg	1.201
111647	FUN 0DM	Black fabric 400 cm (157.5")	1 pc	Stock item	5,5 kg	1.922

Material

Chrome plated metal frame, stainless steel rings and seashell discs. Chrome ceiling canopy.

Technical Information

E26 (220V) max. 60W
IP20. Bulb is not included.

Test & Certifications

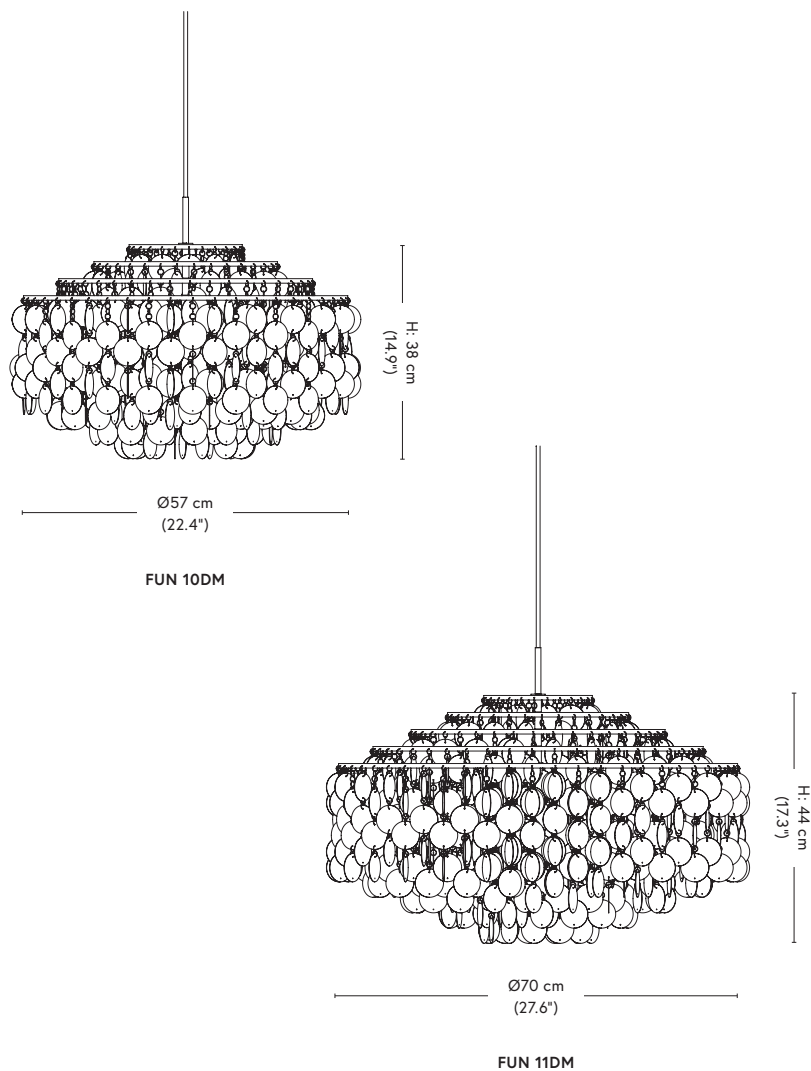
CE

Some countries require that an import license is issued before importing shipments containing wildlife products for commercial purposes. Nine United Scandinavia can only arrange for shipments to the U.S. of products containing wildlife parts upon receipt of a copy of import license issued by the U.S. Fish and Wildlife Service (FWS) obtained by the customer. Description of wildlife products, species and origin can be obtained from Nine United Scandinavia.

FUN PENDANT 10DM/11DM 1964

LIGHTING

Design by Verner Panton



Item no.	Product	Frame	Cord	Colli qty.	Lead time	Net weight	LIST PRICE (USD)
113273	Fun 10DM	Chrome	Black fabric 400 cm (157.5")	1 pc	Stock item	5,0 kg	1.522
112006	Fun 10DM	Brass	Black fabric 400 cm (157.5")	1 pc	Stock item	5,0 kg	1.762
112070	Fun 11DM	Chrome	Black fabric 400 cm (157.5")	1 pc	Stock item	8,0 kg	2.083
112334	Fun 11DM	Brass	Black fabric 400 cm (157.5")	1 pc	Stock item	8,0 kg	2.403

Material

Chrome/Brass plated metal frame, stainless steel rings and seashell discs. Chrome/Brass ceiling canopy.

Technical Information

E26 (220V) max. 60W
IP20. Bulb is not included.

Test & Certifications

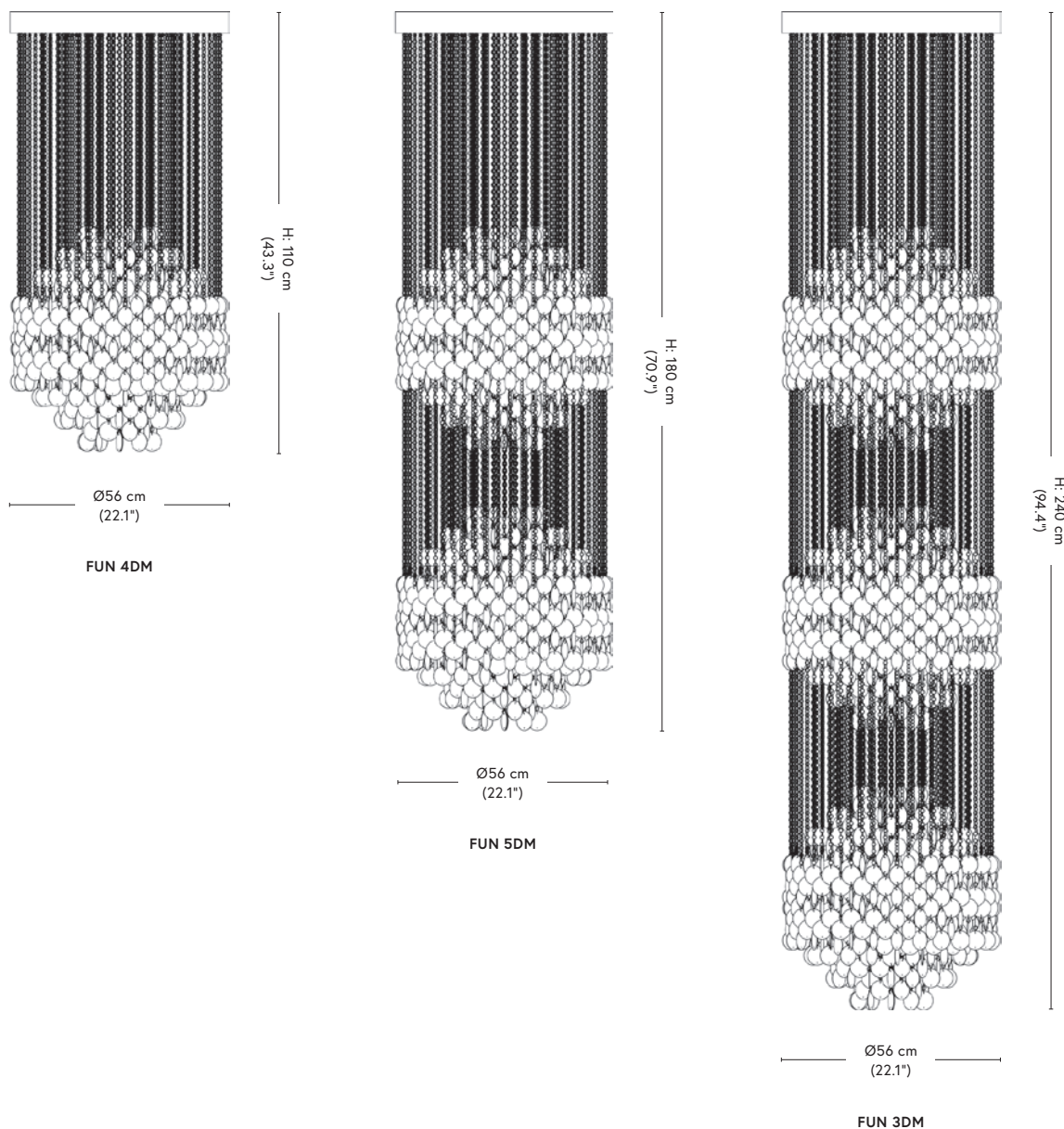
CE

Some countries require that an import license is issued before importing shipments containing wildlife products for commercial purposes. Nine United Scandinavia can only arrange for shipments to the U.S. of products containing wildlife parts upon receipt of a copy of import license issued by the U.S. Fish and Wildlife Service (FWS) obtained by the customer. Description of wildlife products, species and origin can be obtained from Nine United Scandinavia.

FUN XL PENDANT, 1964

LIGHTING

Design by Verner Panton



Item no.	Product	Cord	Colli qty.	Lead time	Net weight	LIST PRICE (USD)
111649	FUN 4DM	Transparent PVC	1 pc	Stock item	11 kg	4.807
113820	FUN 5DM	Transparent PVC	1 pc	Stock item	16 kg	6.409
114508	FUN 3DM	Transparent PVC	1 pc	Stock item	18 kg	9.454

Material

Stainless steel rings and seashell discs. Ceiling plate in white lacquered MDF.

Technical Information

4DM: 1 x E26 (220V) max. 60W
 5DM: 2 x E26 (220V) max. 60W
 3DM: 3 x E26 (220V) max. 60W
 IP20. Bulb is not included.

Test & Certifications

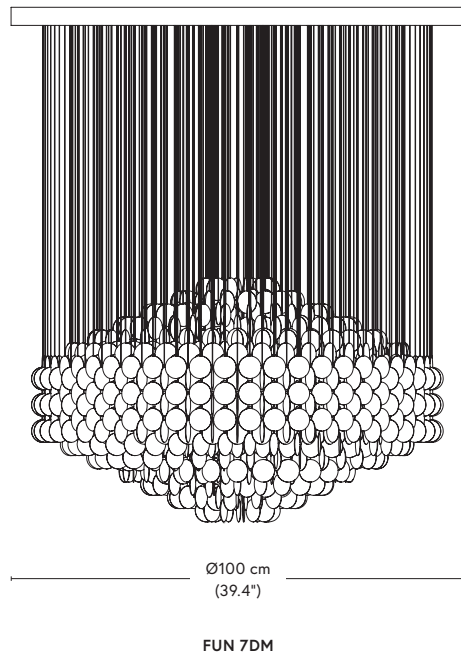
CE

Some countries require that an import license is issued before importing shipments containing wildlife products for commercial purposes. Nine United Scandinavia can only arrange for shipments to the U.S. of products containing wildlife parts upon receipt of a copy of import license issued by the U.S. Fish and Wildlife Service (FWS) obtained by the customer. Description of wildlife products, species and origin can be obtained from Nine United Scandinavia.

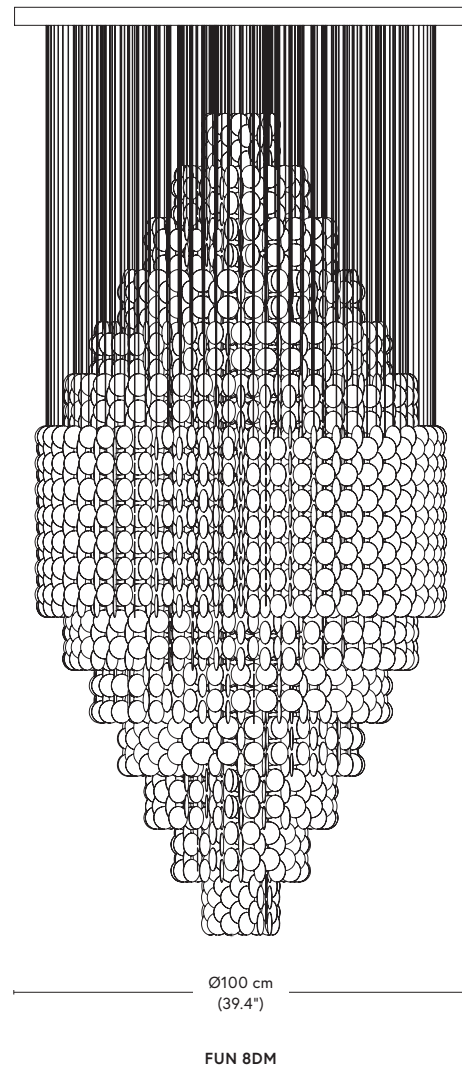
FUN XL PENDANT, 1964

LIGHTING

Design by Verner Panton



H: 110 cm
(43.3")



H: 200 cm
(78.7")

Item no.	Product	Cord	Colli qty.	Lead time	Net weight	LIST PRICE (USD)
113818	FUN 7DM	Transparent PVC	1 pc	Stock item	50 kg	11.217
114509	FUN 8DM	Transparent PVC	1 pc	Stock item	60 kg	22.435

Material

Stainless steel rings and seashell discs. Ceiling plate in white lacquered MDF.

Technical Information

7DM: 1 x E26 (220V) max. 60W
8DM: 3 x E26 (220V) max. 60W
IP20. Bulb is not included.

Test & Certifications

CE

Some countries require that an import license is issued before importing shipments containing wildlife products for commercial purposes. Nine United Scandinavia can only arrange for shipments to the U.S. of products containing wildlife parts upon receipt of a copy of import license issued by the U.S. Fish and Wildlife Service (FWS) obtained by the customer. Description of wildlife products, species and origin can be obtained from Nine United Scandinavia.

MOON OPAL PENDANT 1960

LIGHTING

Design by Verner Panton



Item no.	Size	Cord	Colli qty.	Lead time	Net weight	LIST PRICE (USD)
137056	Ø34 cm (13.4")	White fabric 250 cm (98.4")	1 pc	Stock item	1,9 kg	608

Material

Lamellae in opal mat acrylic and canopy in white painted metal.

Technical Information

E12 (120V) max. 15W
IP20. Bulb is not included

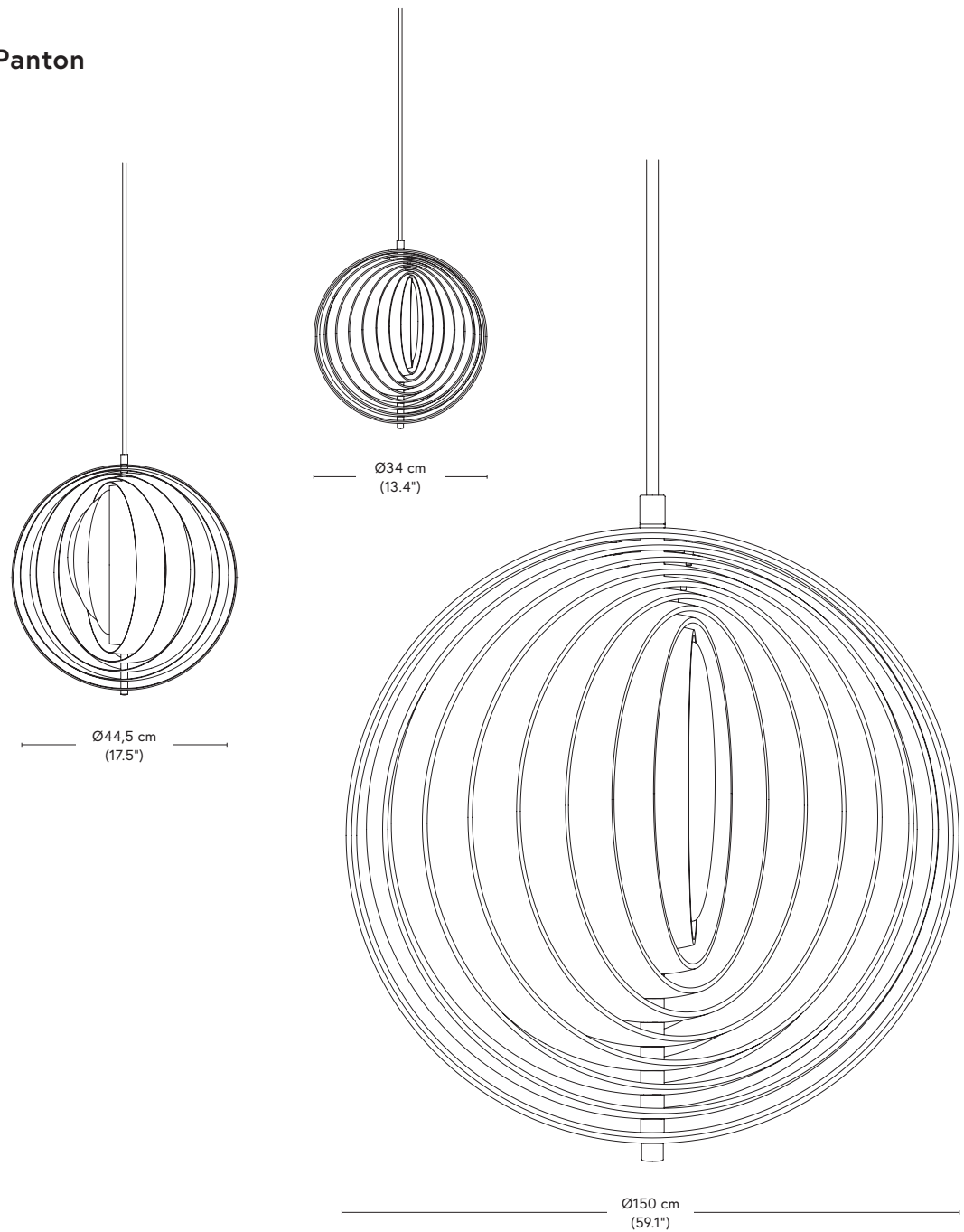
Test & Certifications

CE

MOON PENDANT 1960

LIGHTING

Design by Verner Panton



Item no.	Size	Cord	Colli qty.	Lead time	Net weight	LIST PRICE (USD)
100252	Ø34 cm (13.4")	White fabric 250 cm (98.4")	1 pc	Stock item	4,0 kg	800
100263	Ø44.5 cm (17.5")	White fabric 250 cm (98.4")	1 pc	Stock item	7,0 kg	1.201
100275	Ø150 cm (59.1")	Special requirements for mounting	1 pc	Stock item	100 kg	22.435

Material

Lamellae and canopy in white lacquered metal.

Technical Information

1 x E26 (220V) max. 60W
 Ø150: 4 x E26 (220V) max. 60W
 IP20. Bulb is not included

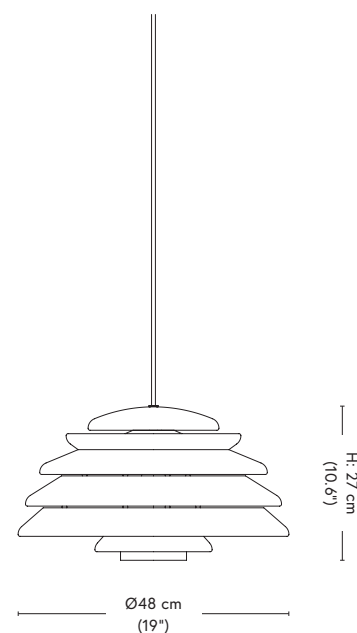
Test & Certifications

CE

HIVE PENDANT 1980

LIGHTING

Design by Verner Panton



Item no.	Colour	Cord	Colli qty.	Lead time	Net weight	LIST PRICE (USD)
100219	Yellow	Black fabric 300 cm (118")	1 pc	Stock item	3,7 kg	1.121
100221	Polished Aluminium	Black fabric 300 cm (118")	1 pc	Stock item	3,7 kg	1.522

Material

Polished or powder coated aluminium.
Ceiling canopy in same colour/finish as lamp.

Technical Information

E26 (220V) max. 60W
IP20. Bulb is not included

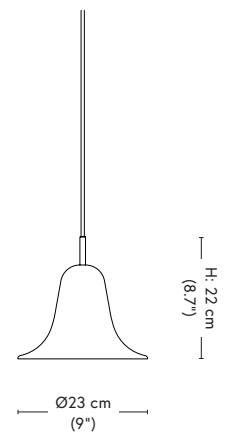
Test & Certifications

CE

PANTOP Ø23 PENDANT 1980

LIGHTING

Design by Verner Panton



Item no.	Colour	Cord	Colli qty.	Lead time	Weight	LIST PRICE (USD)
147545	Pitch Brown	Off-white textile 350 cm (137.8")	1 pc	Stock item	0,9 kg	200
147546	Vivid Orange	Off-white textile 350 cm (137.8")	1 pc	Stock item	0,9 kg	200
147547	Dark Teal	Off-white textile 350 cm (137.8")	1 pc	Stock item	0,9 kg	200
147548	Light Teal	Off-white textile 350 cm (137.8")	1 pc	Stock item	0,9 kg	200
147549	Cherry Red	Off-white textile 350 cm (137.8")	1 pc	Stock item	0,9 kg	200
147550	Night Blue	Off-white textile 350 cm (137.8")	1 pc	Stock item	0,9 kg	200
147551	Cream White	Off-white textile 350 cm (137.8")	1 pc	Stock item	0,9 kg	200
147544	Chrome	Off-white textile 350 cm (137.8")	1 pc	Stock item	0,9 kg	272

Material

Lacquered spun metal shade with off-white paint on the inner shade, chrome plated metal stem. Off-white ceiling canopy included.

Technical Information

E12 (220V) max. 25W
IP20. Bulb is not included

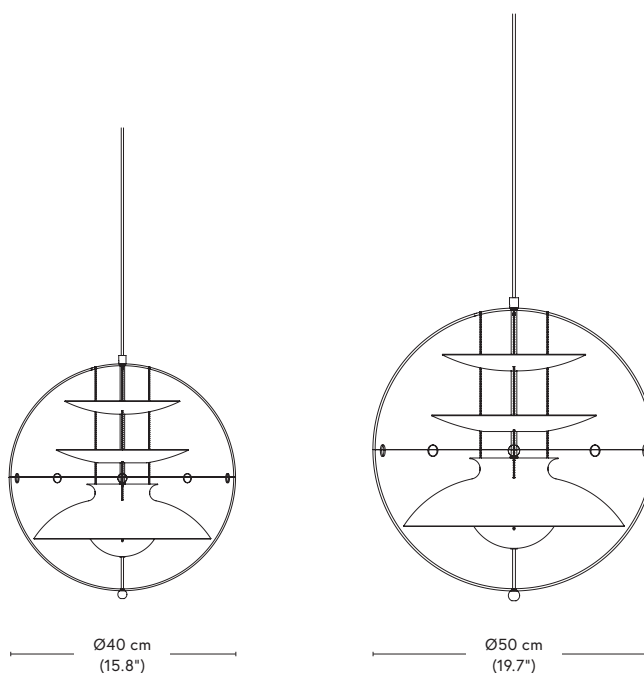
Test & Certifications

CE, LVD, EMC, MÅLBAR, REACH declaration, RoHS test, Conflict Minerals Declaration, FSC Packaging

PANTO PENDANT 1977

LIGHTING

Design by Verner Panton



Item no.	Size	Cord	Colli qty.	Lead time	Net weight	LIST PRICE (USD)
100115	Ø40 cm (15.8")	White fabric 400 cm (157.5")	1 pc	Stock item	4,0 kg	1.762
100101	Ø50 cm (19.7")	White fabric 400 cm (157.5")	1 pc	Stock item	9,0 kg	2.163

Material

Acrylic outer sphere, refelctors in lacquered aluminum suspended in steel chains. Ceiling canopy in white lacquered metal.

Technical Information

Ø40: E12 (220V) max. 60W
Ø50: E26 (220V) max. 60W
IP20. Bulb is not included.

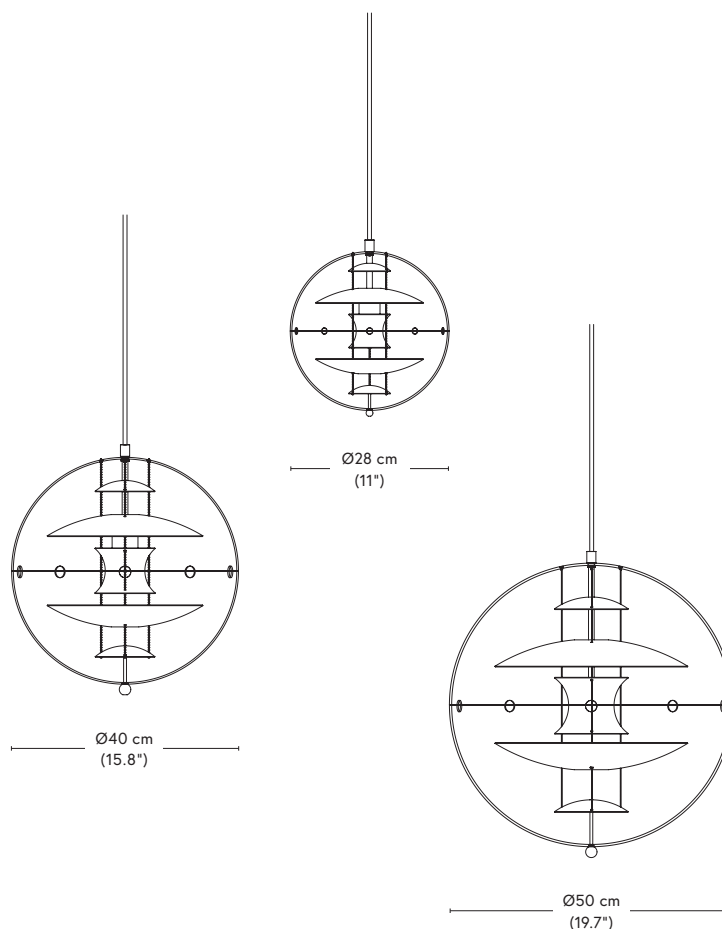
Test & Certifications

CE

VP GLOBE PENDANT 1969

LIGHTING

Design by Verner Panton



Item no.	Colour	Size	Cord	Colli qty.	Lead time	Net weight	LIST PRICE (USD)
135100	Chrome/Red/Blue	Ø28 cm (11")	Black fabric 400 cm (157.5")	1 pc	Stock item	1,8 kg	881
100073	Chrome/Red/Blue	Ø40 cm (15.8")	Black fabric 400 cm (157.5")	1 pc	Stock item	4,5 kg	1.762
100002	Chrome/Red/Blue	Ø50 cm (19.7")	Black fabric 400 cm (157.5")	1 pc	Stock item	7,3 kg	2.163
100144	Coloured Glass/Red/Blue	Ø40 cm (15.8")	Black fabric 400 cm (157.5")	1 pc	Stock item	4,5 kg	2.002
129206	Brushed Alu/Orange	Ø40 cm (15.8")	Black fabric 400 cm (157.5")	1 pc	Stock item	4,5 kg	2.083

Chrome ceiling canopy included

100134	Opal Glass/White	Ø40 cm (15.8")	White fabric 400 cm (157.5")	1 pc	Stock item	4,5 kg	2.002
100128	Opal Glass/White	Ø50 cm (19.7")	White fabric 400 cm (157.5")	1 pc	Stock item	8,3 kg	2.483

White ceiling canopy included

100139	Brass/Red/Blue	Ø40 cm (15.8")	Black fabric 400 cm (157.5")	1 pc	Stock item	4,5 kg	2.163
--------	----------------	----------------	------------------------------	------	------------	--------	-------

Brass ceiling canopy included

Material

Acrylic outer sphere, reflectors in polished aluminum/ opal glass/ painted aluminum/ brass plated aluminum/ coloured glass & polished aluminum, suspended in steel chains. Ceiling canopy in chrome/brass pleated or painted metal.

Technical Information

Ø28: G9 max. 10W
 Ø40: E12 (220V) max. 60W
 Ø50: E26 (220V) max. 60W
 IP20. Bulb is not included.

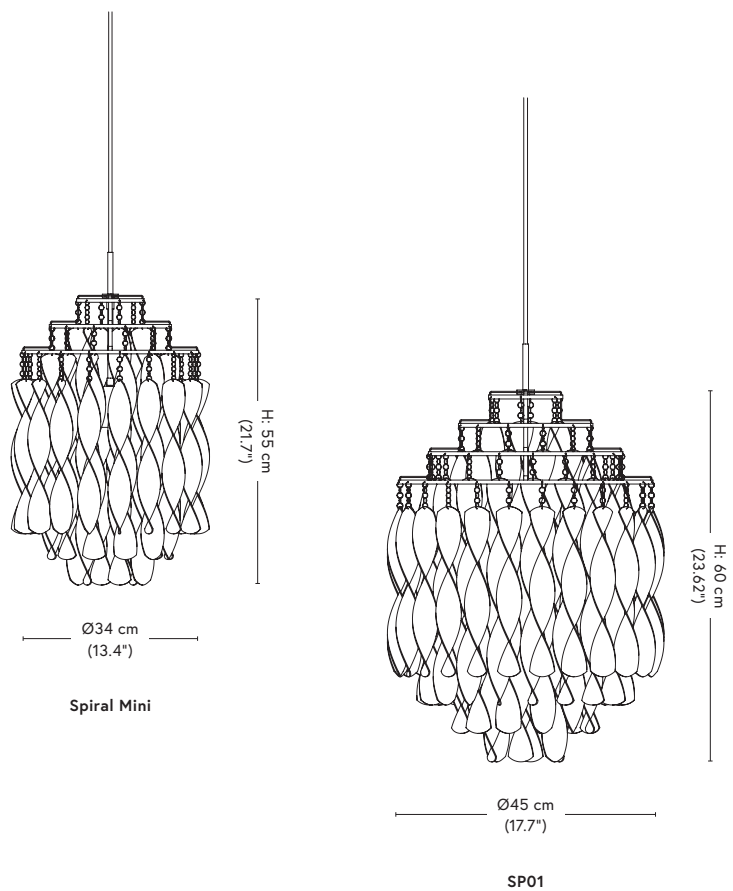
Test & Certifications

CE

SPIRAL PENDANT MINI/SP01 1962

LIGHTING

Design by Verner Panton



Item no.	Product	Colour	Cord	Colli qty.	Lead time	Net weight	LIST PRICE (USD)
110159	Spiral Mini	Silver	Black fabric 240 cm (94.5")	1 pc	Stock item	2,8 kg	1.121
112971	SP01	Silver	Black fabric 400 cm (157.5")	1 pc	Stock item	6,0 kg	1.842
111730	SP01	Gold	Black fabric 400 cm (157.5")	1 pc	Stock item	6,0 kg	1.842

Material

Cast ABS plastic silver/gold plated spirals, stainless steel rings. Chrome plated/gilded metal canopy included.

Technical Information

E26 (220V) max. 60W
IP20. Bulb is not included.

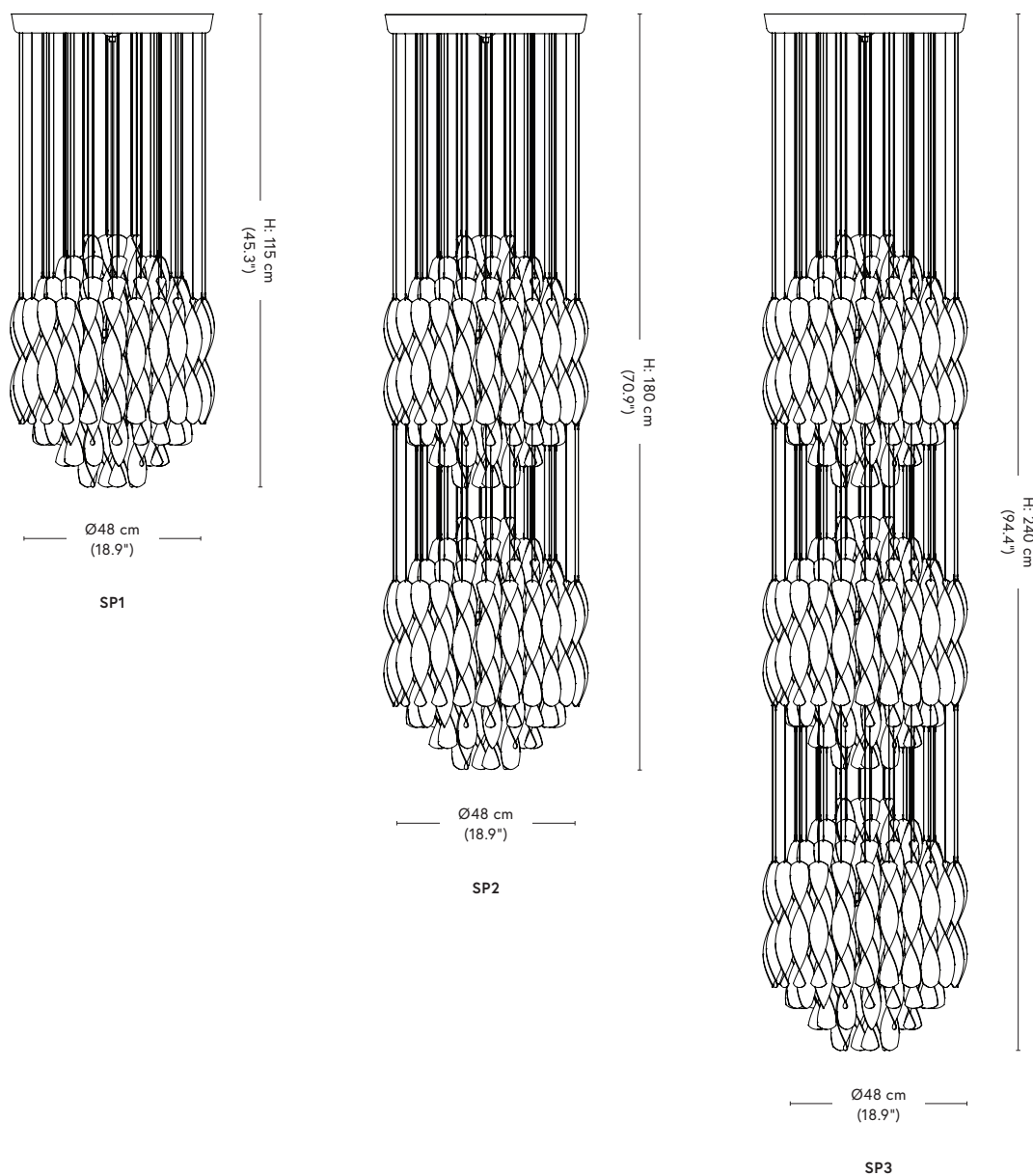
Test & Certifications

CE

SPIRAL XL PENDANT SP1/SP2/SP3 1962

LIGHTING

Design by Verner Pantan



Item no.	Product	Colour	Cord	Colli qty.	Lead time	Net weight	LIST PRICE (USD)
110102	SP1	Silver	Transparent PVC	1 pc	Stock item	10 kg	3.044
114511	SP1	Gold	Transparent PVC	1 pc	Stock item	10 kg	3.044
111540	SP2	Silver	Transparent PVC	1 pc	Stock item	12 kg	4.326
114516	SP2	Gold	Transparent PVC	1 pc	Stock item	12 kg	4.326
109996	SP3	Silver	Transparent PVC	1 pc	Stock item	14 kg	5.929
110190	SP3	Gold	Transparent PVC	1 pc	Stock item	14 kg	5.929

Material

Cast ABS plastic silver/gold plated spirals, stainless steel rings. Chrome plated/gilded metal canopy included.

Technical Information

SP1: 1 x E26 (220V) max. 60W
 SP2: 2 x E26 (220V) max. 60W
 SP3: 3 x E26 (220V) max. 60W
 IP20. Bulb is not included.

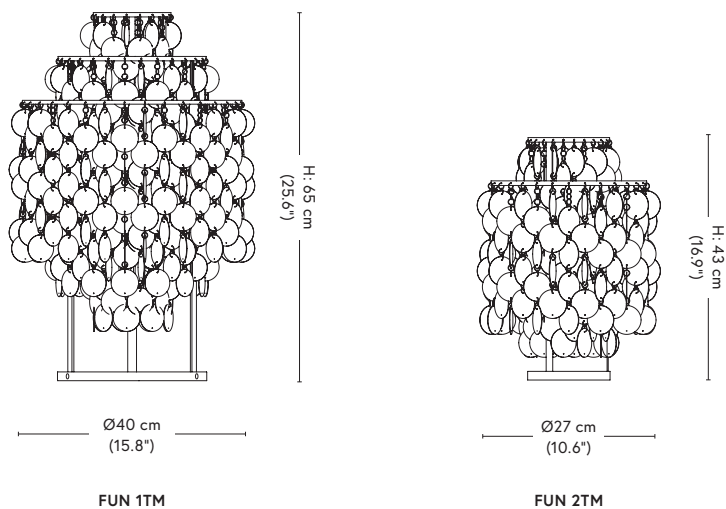
Test & Certifications

CE

FUN TABLE LAMP 1TM/2TM 1964

LIGHTING

Design by Verner Panton



Item no.	Product	Frame	Cord	Colli qty.	Lead time	Net weight	LIST PRICE (USD)
113285	Fun 2TM	Chrome	Transparent w. switch 220 cm (86.6")	1 pc	Stock item	2,5 kg	720
113283	Fun 2TM	Brass	Transparent w. switch 220 cm (86.6")	1 pc	Stock item	2,5 kg	881
110462	Fun 1TM	Chrome	Transparent w. switch 220 cm (86.6")	1 pc	Stock item	7,0 kg	1.281

Material

Chrome/Brass plated metal frame, stainless steel rings and seashell discs.

Technical Information

E26 (220V) max. 60W
IP20. Bulb is not included.

Test & Certifications

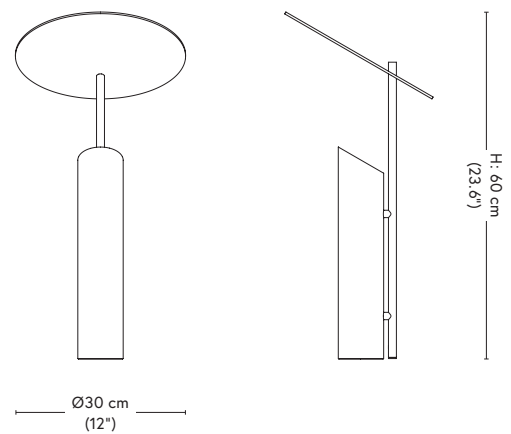
CE

Some countries require that an import license is issued before importing shipments containing wildlife products for commercial purposes. Nine United Scandinavia can only arrange for shipments to the U.S. of products containing wildlife parts upon receipt of a copy of import license issued by the U.S. Fish and Wildlife Service (FWS) obtained by the customer. Description of wildlife products, species and origin can be obtained from Nine United Scandinavia.

REFLECT TABLE LAMP 1972

LIGHTING

Design by Verner Panton



Item no.	Colour	Cord	Colli qty.	Lead time	Net weight	LIST PRICE (USD)
103589	Matt Red	Black fabric w. switch 250 cm (98")	1 pc	Stock item	4,2 kg	640
103591	Grey/Satin	Black fabric w. switch 250 cm (98")	1 pc	Stock item	4,2 kg	640
135076	Matt White*	White fabric w. switch 250 cm (98")	1 pc	Stock item	4,2 kg	640

Material

All parts are made from steel. Powder coated finish.
Vertical stem is finished in satin

* Includes two colour pads to change the colour of light to a red or pink tone.

Technical Information

E12 (220V) max. 25W
IP20. Bulb is not included

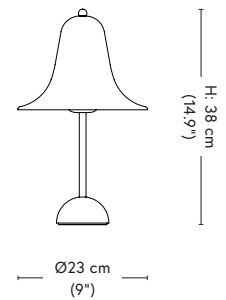
Test & Certifications

CE

PANTOP Ø23 TABLE LAMP 1980

LIGHTING

Design by Verner Panton



Item no.	Colour	Cord	Colli qty.	Lead time	Net weight	LIST PRICE (USD)
147535	Pitch Brown	Off-white textile w. switch 250 cm (98")	1 pc	Stock item	2,2 kg	296
147536	Vivid Orange	Off-white textile w. switch 250 cm (98")	1 pc	Stock item	2,2 kg	296
147537	Dark Teal	Off-white textile w. switch 250 cm (98")	1 pc	Stock item	2,2 kg	296
147539	Light Teal	Off-white textile w. switch 250 cm (98")	1 pc	Stock item	2,2 kg	296
147540	Cherry Red	Off-white textile w. switch 250 cm (98")	1 pc	Stock item	2,2 kg	296
147541	Night Blue	Off-white textile w. switch 250 cm (98")	1 pc	Stock item	2,2 kg	296
147542	Cream White	Off-white textile w. switch 250 cm (98")	1 pc	Stock item	2,2 kg	296
147543	Chrome	Off-white textile w. switch 250 cm (98")	1 pc	Stock item	2,2 kg	360

Material

Lacquered spun metal shade with off-white paint on the inner shade, chrome plated metal base.

Technical Information

E12 (220V) max. 25W
IP20. Bulb is not included

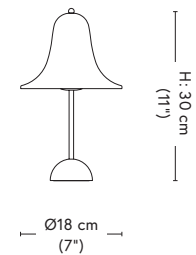
Test & Certifications

CE, LVD, EMC, MÅLBAR, REACH declaration, RoHS test, Conflict Minerals Declaration, FSC Packaging

PANTOP Ø18 PORTABLE LAMP 1980

LIGHTING

Design by Verner Panton



Item no.	Colour	Charging cable	Colli qty.	Lead time	Weight	LIST PRICE (USD)
147555	Pitch Brown	Black USB-C 200 cm (79")	1 pc	Stock item	0,75 kg	200
147556	Vivid Orange	Black USB-C 200 cm (79")	1 pc	Stock item	0,75 kg	200
147557	Dark Teal	Black USB-C 200 cm (79")	1 pc	Stock item	0,75 kg	200
147558	Light Teal	Black USB-C 200 cm (79")	1 pc	Stock item	0,75 kg	200
147559	Cherry Red	Black USB-C 200 cm (79")	1 pc	Stock item	0,75 kg	200
147560	Night Blue	Black USB-C 200 cm (79")	1 pc	Stock item	0,75 kg	200
147561	Cream White	Black USB-C 200 cm (79")	1 pc	Stock item	0,75 kg	200
147554	Chrome	Black USB-C 200 cm (79")	1 pc	Stock item	0,75 kg	264

Material

Lacquered injection-moulded plastic shade, opal plastic diffuser, chrome plated base in metal and plastic, silicone horse-shoe at the base.

Battery Information

Number of batteries installed: 1 pcs
 Battery type: LG 18650 3.7V
 Battery capacity: 3100 mAh
 Battery capacity: 11.47 Wh
 Charging time: 6 hrs
 Operating time: 8 hrs (at max light setting)

Technical Information

Integrated LED
 Colour temperature: 2700 K
 Light output: 110 lm
 Dimmable: 3 steps
 Charger plug not included
 IP44

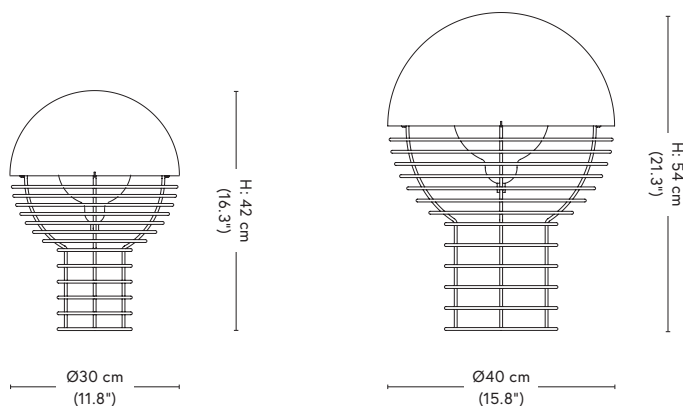
Test & Certifications

CE, LVD, EMC, MÅLBAR, REACH declaration, RoHS test, Conflict Minerals Declaration, FSC Packaging

WIRE TABLE LAMP 1972

LIGHTING

Design by Verner Panton



Item no.	Colour	Size	Cord	Colli qty.	Lead time	Net weight	LIST PRICE (USD)
135090	Chrome/White	Ø30 cm (11.8")	Transparent w. switch 220 cm (86.6")	1 pc	Stock item	3,0 kg	640
135078	Chrome/Yellow	Ø30 cm (11.8")	Transparent w. switch 220 cm (86.6")	1 pc	Stock item	3,0 kg	640
135081	Chrome/Red	Ø30 cm (11.8")	Transparent w. switch 220 cm (86.6")	1 pc	Stock item	3,0 kg	640
135084	Chrome/Orange	Ø30 cm (11.8")	Transparent w. switch 220 cm (86.6")	1 pc	Stock item	3,0 kg	640
101334	Chrome/White	Ø40 cm (15.8")	Transparent w. switch 220 cm (86.6")	1 pc	Stock item	4,0 kg	800
136013	Chrome/Orange	Ø40 cm (15.8")	Transparent w. switch 220 cm (86.6")	1 pc	Stock item	4,0 kg	800

Material

Frame in chrome plated steel, shade in acrylic.

Technical Information

Ø30 cm: E12 (230V) max. 25W
Ø40 cm: E26 (220V) max. 60W
IP20. Bulb is not included

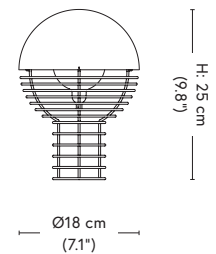
Test & Certifications

CE

WIRE Ø18 PORTABLE LAMP

LIGHTING

Design by Verner Panton



Item no.	Colour	Charging cable	Colli qty.	Lead time	Net weight	LIST PRICE (USD)
147674	Yellow	Transparent USB-C 150 cm (59")	1 pc	Stock item	0,95 kg	296
147675	Red	Transparent USB-C 150 cm (59")	1 pc	Stock item	0,95 kg	296
147676	Orange	Transparent USB-C 150 cm (59")	1 pc	Stock item	0,95 kg	296
147677	White	Transparent USB-C 150 cm (59")	1 pc	Stock item	0,95 kg	296

Material

Stainless steel chrome plated frame, opal plastic shade and diffuser.

Battery Information

Number of batteries installed: 1 pcs
 Battery type: LG
 Battery capacity: 4800 mAh
 Charging time: 7 hrs
 Operating time: 9 hrs (at max light setting)

Technical Information

Integrated LED
 Colour temperature: 2700 K
 Dimmable: 3 steps
 Charger plug not included
 IP44

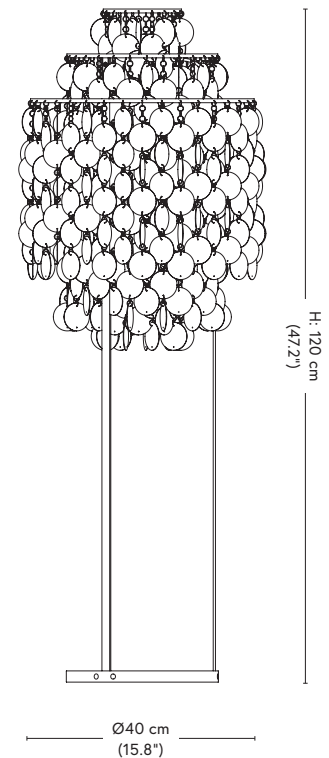
Test & Certifications

CE, LVD, EMC, MÅLBAR, REACH declaration, RoHS test, Conflict Minerals Declaration, FSC Packaging

FUN FLOOR LAMP 1STM 1964

LIGHTING

Design by Verner Panton



Item no.	Frame	Cord	Colli qty.	Lead time	Net weight	LIST PRICE (USD)
110488	Chrome	Transparent w. in-line footswitch 220 cm (86.6")	1 pc	Stock item	8,5 kg	1.522
110897	Brass	Transparent w. in-line footswitch 220 cm (86.6")	1 pc	Stock item	8,5 kg	1.762

Material

Chrome/Brass plated metal frame, stainless steel rings and seashell discs.

Technical Information

E26 (220V) max. 60W
IP20. Bulb is not included

Test & Certifications

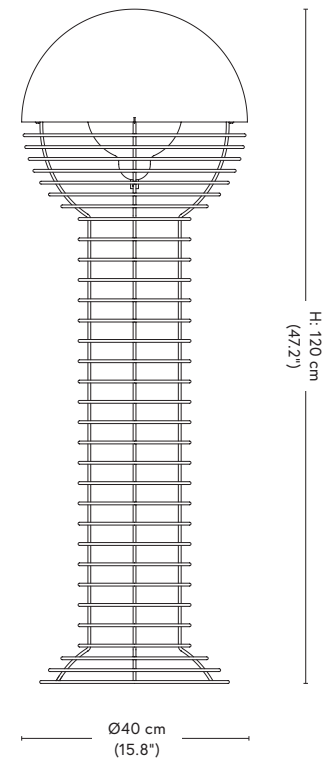
CE

Some countries require that an import license is issued before importing shipments containing wildlife products for commercial purposes. Nine United Scandinavia can only arrange for shipments to the U.S. of products containing wildlife parts upon receipt of a copy of import license issued by the U.S. Fish and Wildlife Service (FWS) obtained by the customer. Description of wildlife products, species and origin can be obtained from Nine United Scandinavia.

WIRE FLOOR LAMP 1972

LIGHTING

Design by Verner Panton



Item no.	Colour	Cord	Colli qty.	Lead time	Net weight	LIST PRICE (USD)
104135	Chrome/White	Transparent w. in-line footswitch 220 cm (86.6")	1 pc	Stock item	5,5 kg	1.121
104136	Chrome/Orange	Transparent w. in-line footswitch 220 cm (86.6")	1 pc	Stock item	5,5 kg	1.121

Material

Frame in chrome plated steel, shade in acrylic.

Technical Information

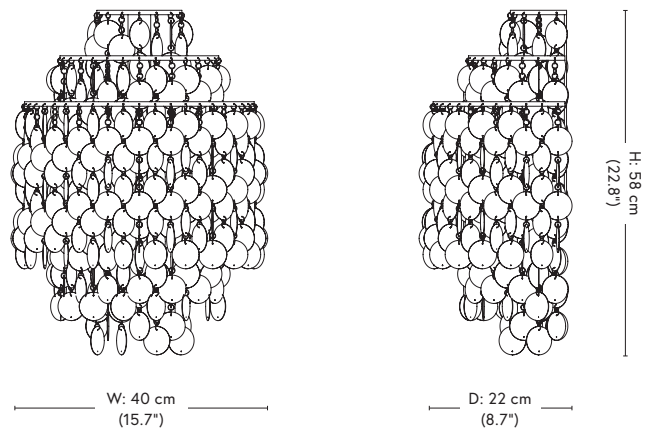
E26 (220V) max. 60W
IP20. Bulb is not included

Test & Certifications

CE

FUN WALL LAMP 1WM 1964

LIGHTING



Item no.	Frame	Cord	Colli qty.	Lead time	Net weight	LIST PRICE (USD)
110706	Chrome	Transparent w. switch 220 cm (86.6")	1 pc	Stock item	3,5 kg	881

Material
Chrome plated metal frame, stain-less steel rings and seashell discs.

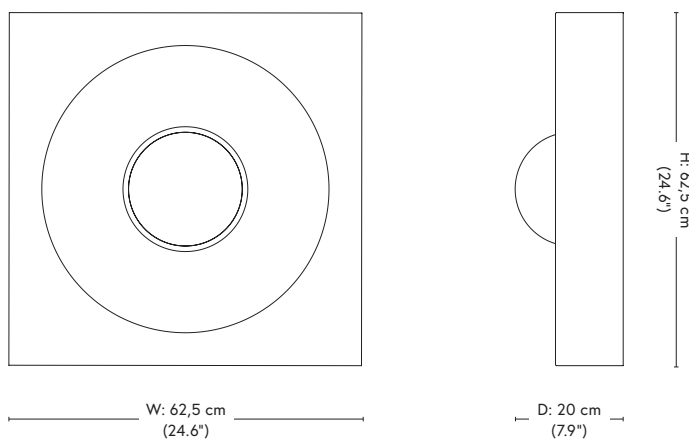
Technical Information
E26 (220V) max. 60W
IP20. Bulb is not included

Test & Certifications
CE

Some countries require that an import license is issued before importing shipments containing wildlife products for commercial purposes. Nine United Scandinavia can only arrange for shipments to the U.S. of products containing wildlife parts upon receipt of a copy of import license issued by the U.S. Fish and Wildlife Service (FWS) obtained by the customer. Description of wildlife products, species and origin can be obtained from Nine United Scandinavia.

SPIEGEL WALL/CEILING LAMP 1969

LIGHTING



Item no.	Colour	Cord	Colli qty.	Lead time	Net weight	LIST PRICE (USD)
110108	Brushed Aluminium	Black fabric w. switch 250 cm (98")	1 pc	Stock item	4,6 kg	1.922

Material
Brushed aluminum

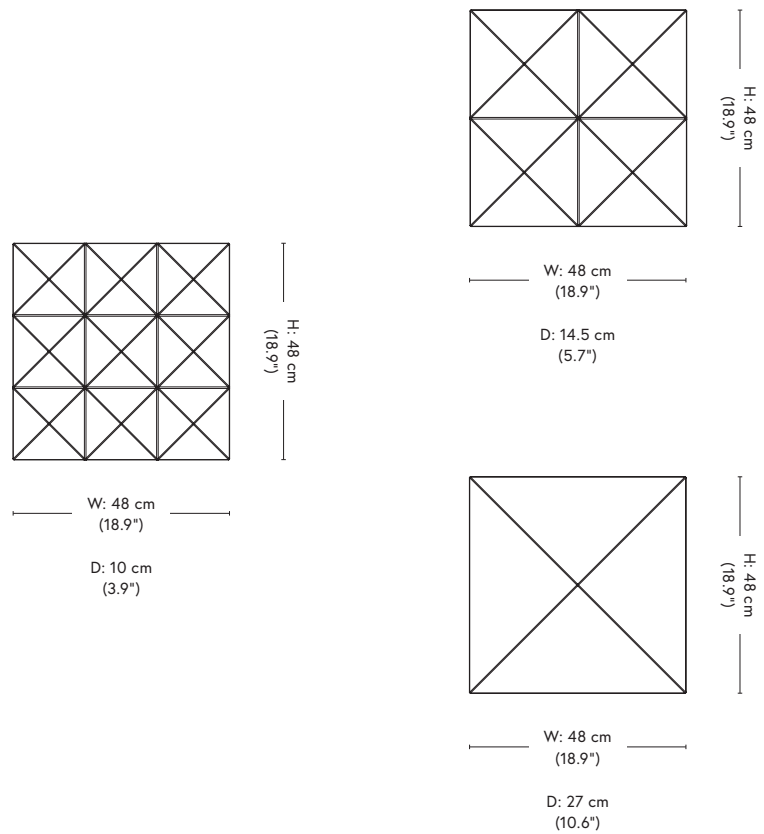
Technical Information
E12 (220V) max. 25W
IP20. Bulb is not included

Test & Certifications
CE

MIRROR SCULPTURES 1965

OBJECTS

Design by Verner Panton



Item no.	Product	Colli qty.	Lead time	Net weight	LIST PRICE (USD)
130369	Mirror Sculptures 1 Pyramid	1 pc	Stock item	3,36 kg	336
130370	Mirror Sculptures 4 Pyramid	1 pc	Stock item	2,72 kg	336
130371	Mirror Sculptures 9 Pyramid	1 pc	Stock item	2,72 kg	336

Material

3.5mm acrylic vacuum foam with PVD, chrome plated. Metal wall mount.

PACKAGING OVERVIEW

Gross dimensions and weight.

Product	Category		Dimensions (D x W x H)	Weight	Colli qty.
Barboy	Storage		43 x 43 x 79 cm (16.9 x 16.9 x 31.1")	24,5 kg	1 pc
Cloverleaf In/Outdoor Left/Right unit	Sofa		124 x 124 x 100 cm (48.8 x 48.8 x 39.3")	74 kg	1 pc
Cloverleaf In/Outdoor Middle unit	Sofa		149 x 152 x 100 cm (58.7 x 59.9 x 39.3")	85 kg	1 pc
Cloverleaf In/Outdoor Extension unit	Sofa		149 x 152 x 100 cm (58.7 x 59.8 x 39.3")	81 kg	1 pc
Cloverleaf Left/Right unit	Sofa		122 x 122 x 92 cm (48.03 x 48.03 x 36.2")	53,5 kg	1 pc
Cloverleaf Middle unit	Sofa		148 x 148 x 92 cm (58.3 x 58.3 x 36.2")	70,1 kg	1 pc
Cloverleaf Extension unit	Sofa		138 x 120 x 92 cm (54.3 x 47.2 x 36.2")	68,3 kg	1 pc
Easy Chair	Lounge Chair		85 x 85 x 85 cm (33.5 x 33.5 x 33.5")	46 kg	1 pc
Easy Pouf	Pouf		85 x 85 x 50 cm (33.5 x 33.5 x 19.6")	24 kg	1 pc
Easy Sofa	Sofa	Box 1:	170 x 42 x 180 cm (66.9 x 16.5 x 70.8")	136 kg	1 pc
		Box 2:	40 x 40 x 100 cm (15.7 x 15.7 x 39.3")		1 pc
Flying Chair	Lounge Chair		154 x 93 x 62 cm (60.6 x 36.6 x 24.4")	23 kg	1 pc
Panto Pop	Lounge Chair		85 x 85 x 70 cm (33.5 x 33.5 x 27.6")	7,9 kg	1 pc
Panton Move Table	Table		98 x 204 x 21 cm (38.5 x 80.3 x 8.26")	49,5 kg	1 pc
Series 270 F Armchair	Lounge Chair		63 x 68 x 75 cm (24.8 x 26.8 x 29.5")	10 kg	1 pc
Series 270 F Cushion	Cushion		45 x 45 x 3,5 cm (17.7 x 17.7 x 1.4")	1 kg	1 pc
Series 430 Counter Stool SH 65 cm	Counter Stool		55 x 118 x 57 cm (22 x 46 x 23")	11,51 kg	1 pc
Series 430 Bar Stool SH 75 cm	Bar Stool		55 x 118 x 57 cm (22 x 46 x 23")	12,51 kg	1 pc
Series 430 Chair	Dining Chair		57 x 57 x 86 cm (22.4 x 22.4 x 33.9")	8,6 kg	1 pc
Series 430 Stool	Stool		57 x 56 x 53 cm (22.4 x 22 x 20.8")	6,1 kg	1 pc
Series 430 Table Ø120	Table		127 x 127 x 27 cm (50 x 50 x 10.6")	39 kg	1 pc
Series 430 Table Ø160	Table		164 x 164 x 28 cm (64.5 x 64.5 x 11")	62 kg	1 pc
System 1-2-3 Dining Chair Deluxe	Dining Chair		67 x 57 x 93 cm (26.3 x 22.4 x 36.6")	16,23 kg	1 pc
System 1-2-3 Dining Chair Standard	Dining Chair		67 x 57 x 93 cm (26.3 x 22.4 x 36.6")	16,23 kg	1 pc
System 1-2-3 Lounge Chair Deluxe	Lounge Chair		76 x 66 x 93 cm (29.9 x 25.9 x 36.6")	19,66 kg	1 pc
System 1-2-3 Lounge Chair Standard	Lounge Chair		76 x 66 x 93 cm (29.9 x 25.9 x 36.6")	19,66 kg	1 pc
System 1-2-3 Mirror	Wardrobe		183 x 65 x 19 cm (72 x 25.5 x 7.4")	26 kg	1 pc
System 1-2-3 Rack	Wardrobe		183 x 65 x 19 cm (72 x 25.5 x 7.4")	11,5 kg	1 pc
Welle 1	Lounge Seating		167 x 55 x 109 cm (65.7 x 42.9 x 21.6")	30,42 kg	1 pc
Welle 2	Lounge Seating		113 x 55 x 86 cm (44.4 x 33.8 x 21.6")	18,56 kg	1 pc
Welle 3	Lounge Seating		243 x 74 x 54 cm (95.7 x 29.1 x 21.2")	30,67 kg	1 pc
Welle 4	Lounge Seating		144 x 69 x 55 cm (56.7 x 27.1 x 21.6")	18,69 kg	1 pc
Welle 5	Lounge Seating		112 x 46 x 55 cm (44 x 18.1 x 21.6")	13,45 kg	1 pc
Welle 6	Lounge Seating		59 x 46 x 55 cm (23.2 x 18.1 x 21.6")	7,71 kg	1 pc

Product	Category		Dimensions (D×W×H)	Weight	Colli qty.
Fun 0DM Pendant	Pendant		56 × 56 × 28 cm (22 × 22 × 11")	8 kg	1 pc
Fun 1DM Pendant	Pendant		45 × 45 × 24 cm (17.7 × 17.7 × 9.5")	5 kg	1 pc
Fun 2DM Pendant	Pendant		32 × 32 × 24 cm (12.6 × 12.6 × 9.4")	4 kg	1 pc
Fun 10DM Pendant	Pendant		63 × 63 × 20 cm (24.8 × 24.8 × 7.9")	7 kg	1 pc
Fun 11DM Pendant	Pendant		75 × 75 × 20 cm (29.5 × 29.5 × 7.9")	10 kg	1 pc
Fun 3DM Pendant	XL Pendant	Box 1:	49 × 49 × 50 cm (19.2 × 19.2 × 19.6")	13 kg	1 pc
		Box 2:	30 × 30 × 22 cm (11.8 × 11.8 × 8.6")	8 kg	1 pc
Fun 4DM Pendant	XL Pendant	Box 1:	57 × 57 × 29 cm (22.4 × 22.4 × 11.4")	9 kg	1 pc
		Box 2:	65 × 65 × 14 cm (25.6 × 25.6 × 5.5")	8 kg	1 pc
Fun 5DM Pendant	XL Pendant	Box 1:	49 × 49 × 50 cm (19.2 × 19.2 × 19.6")	11 kg	1 pc
		Box 2:	30 × 30 × 25 cm (11.8 × 11.8 × 9.8")	8 kg	1 pc
Fun 7DM Pendant	XL Pendant	Box 1:	57 × 57 × 29 cm (22.4 × 22.4 × 11.4")	9 kg	1 pc
		Box 2:	65 × 65 × 14 cm (25.6 × 25.6 × 5.5")	8 kg	1 pc
Fun 8DM Pendant	XL Pendant	Box 1:	58 × 58 × 75 cm (22.8 × 22.8 × 29.5")	30 kg	1 pc
		Box 2:	30 × 30 × 22 cm (11.8 × 11.8 × 8.6")	47 kg	1 pc
Fun 1STM Floor Lamp	Floor Lamp		48 × 50 × 131 cm (18.9 × 19.7 × 51.6")	10 kg	1 pc
Fun 1TM Table Lamp	Table Lamp		48 × 77 × 50 cm (18.9 × 30.3 × 19.7")	8 kg	1 pc
Fun 2TM Table Lamp	Table Lamp		33 × 33 × 50 cm (13 × 13 × 19.7")	3 kg	1 pc
Fun 1WM Wall Lamp	Wall Lamp		37 × 37 × 31 cm (14.6 × 14.6 × 12.2")	4 kg	1 pc
Hive Pendant	Pendant		54 × 53,5 × 36,5 cm (21 × 21 × 14")	4,7 kg	1 pc
Moon Opal Pendant Ø34	Pendant		42 × 50 × 11 cm (16.5 × 19.7 × 4.3")	3,2 kg	1 pc
Moon Pendant Ø34	Pendant		42 × 51 × 11 cm (16.5 × 20 × 4.3")	5,3 kg	1 pc
Moon Pendant Ø44,5	Pendant		56 × 55 × 10 cm (22 × 21.7 × 3.9")	8,7 kg	1 pc
Moon Pendant Ø150	XL Pendant		173 × 165 × 38 cm (68 × 65 × 15")	125 kg	1 pc
Panto Pendant Ø40	Pendant		47 × 47 × 53 cm (18.5 × 18.5 × 20.9")	5,8 kg	1 pc
Panto Pendant Ø50	Pendant		58 × 58 × 69 cm (19.7 × 19.7 × 27.2")	11,7 kg	1 pc
Pantop Ø18 Portable Lamp	Portable Lamp		23 × 25 × 44 cm (9 × 9.8 × 17.3")	1,68 kg	1 pc
Pantop Ø23 Pendant	Pendant		33 × 32 × 24 cm (13 × 12.6 × 9.5")	2,1 kg	1 pc
Pantop Ø23 Table Lamp	Table Lamp		33 × 32 × 24 cm (13 × 12.6 × 9.5")	3,3 kg	1 pc
Reflect Table Lamp	Table Lamp		37 × 16 × 50 cm (14.5 × 6.3 × 19.7")	4,67 kg	1 pc
Spiegel Wall/Ceiling lamp	Wall/Ceiling Lamp		69 × 69 × 18 cm (26.9 × 26.9 × 20.9")	6 kg	1 pc
Spiral Mini Pendant	Pendant		70 × 53 × 23 cm (27.5 × 20.9 × 9")	5 kg	1 pc
Spiral SP01 Pendant	Pendant		70 × 53 × 23 cm (27.5 × 20.9 × 9")	8,7 kg	1 pc
Spiral SP1 Pendant	XL Pendant		60 × 60 × 79 cm (23.6 × 23.6 × 31.1")	11 kg	1 pc
Spiral SP2 Pendant	XL Pendant		60 × 60 × 79 cm (23.6 × 23.6 × 31.1")	14 kg	1 pc
Spiral SP3 Pendant	XL Pendant		60 × 60 × 79 cm (23.6 × 23.6 × 31.1")	17 kg	1 pc
VP Globe Pendant Ø28	Pendant		35 × 35 × 44 cm (13.7 × 13.7 × 17.3")	3 kg	1 pc
VP Globe Pendant Ø40	Pendant		47 × 47 × 53 cm (18.5 × 18.5 × 20.9")	6,2 kg	1 pc
VP Globe Pendant Ø50	Pendant		58 × 58 × 67 cm (19.7 × 19.7 × 26.3")	10 kg	1 pc
VP Globe Pendant Ø50 Opal Glass	Pendant		58 × 58 × 69 cm (22.8 × 22.8 × 27.2")	9 kg	1 pc
Wire Floor Lamp	Floor Lamp		48 × 48 × 131 cm (18,9 × 18,9 × 52")	9 kg	1 pc
Wire Table Lamp Ø30	Table Lamp		35 × 35 × 47 cm (13.8 × 13.8 × 18.5")	4 kg	1 pc
Wire Table Lamp Ø40	Table Lamp		44 × 45 × 58 cm (17.3 × 17.7 × 22.8")	6,29 kg	1 pc
Wire Ø18 Portable Lamp	Portable Lamp		22,5 × 22,5 × 34,5 cm (8.9 × 8.9 × 13.6")	2,35 kg	1 pc

UPHOLSTERY PROGRAMME

Price group	Manufacturer	Fabric	System 1-2-3 Standard	System 1-2-3 Deluxe	Cloverleaf	Welle	430	Flying Chair	Easy	VP168 Sofa	US Cal. Bull. 117-2013	BS 5852 PART 1	BS 5852 CRIB5	
F1	COM													
	Kvadrat	Remix	•	•	•	•	•	•	•	•	Yes	Yes	(Yes)	
	Romo	Linara	•	•		•	•	•	•	•	Yes		(Yes)	
F2	Kvadrat	Canvas	•	•	○	•	•		•	•				
		Re-wool	•	•	•	•	•	•	•	•	Yes	Yes	(Yes)	
F3	Kvadrat	Divina	•	•	•	•	•	•	•	•	Yes	Yes	(Yes)	
		Divina MD	•	•	•	•	•	•	•	•	Yes	Yes	(Yes)	
		Divina Melange	•	•	•	•	•	•	•	•	•	Yes	Yes	(Yes)
		Hallingdal	•	•	•	•	•	•	•	•	•	Yes	Yes	Yes
		Steelcut Trio	•	•	•	•	•	•	•	•	•	Yes	Yes	(Yes)
		Steelcut Quartet	•	•	•	•	•	•	•	•	•	Yes	Yes	(Yes)
		Tonus	•	•	•	•	•	•	•	•	•	Yes	Yes	(Yes)
F4	Dedar	Sunday		○	•	○	•	○			Yes	Yes	Yes	
	Kvadrat	Vidar	•	•	•	•	•	•	•	•	Yes	Yes	(Yes)	
F5	Dedar	Karakorum	•	•	•	•	•	•	•	•	Yes	Yes	Yes	
F6	Dedar	Alpaca Alto		•	•	•	•	○	•		Yes	Yes	Yes	
		A Soft Place	○	•	•	•	•	○	•		Yes			
	Kvadrat	Argo	•	•	•	•	•	•	○	•		Yes	Yes	
		Gentle			•	•				•				

Price group	Manufacturer	Leather	System 1-2-3 Standard	System 1-2-3 Deluxe	Cloverleaf	Welle	430	Flying Chair	Easy	VP168 Sofa	US Cal. Bull. 117-2013	BS 5852 PART 1	BS 5852 CRIB5
L1	COL												
	Sørensen Leather	Ultra	●	●			●				Yes	Yes	
L2	Sørensen Leather	Envy	●	●			●				Yes	Yes	
		Savanne	●	●			●				Yes	Yes	
L3	Sørensen Leather	Duet	●	●			●				Yes	Yes	

- Approved
 - Not tested for the specific model – can be performed on request
 - (Yes) Treatment is needed to fulfill fire requirement
- COM/COL Needs to be tested for suitability for each product

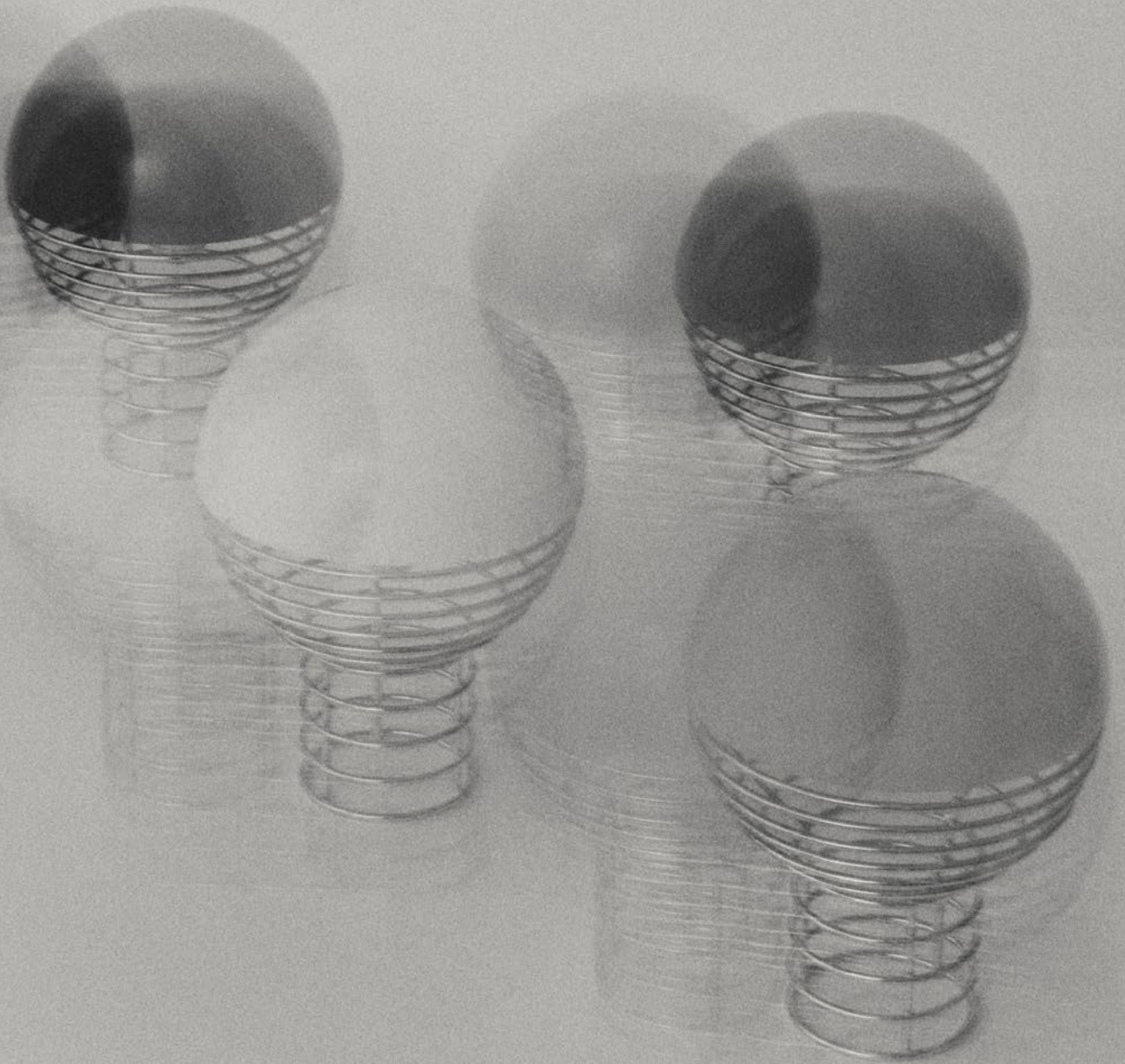
*Skai Parotega Artificial leather: This product contains 0,1-0,2% C,C'-azodi (formamide), CAS no. 123-77-3.

The mentioned fabrics/leathers at each product are standard fabrics/ leather selected by VERPAN. To learn more about the fabrics/leathers of interest please visit the manufacturers website directly.

Requests for other fabrics please contact your sales representative.

If fabric treatment is required an additional fee will be added. Price increase of 10% for Cigarette & Match, CRIB5 or CAL117 treatment. For further treatments as Duraseal, Soil & Stain etc., please request this at your local sales representative.

For all COM/COL enquiries please contact your local sales representative or call us on +45 7658 1882. In cases where VERPAN has a trade agreement with the fabric supplier, COM is not possible.



VERPAN

Møntergade 19B | 1116 Copenhagen | Denmark
info@verpan.com | verpan.com